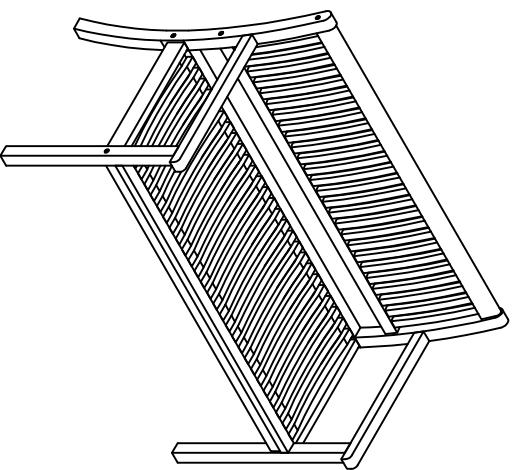
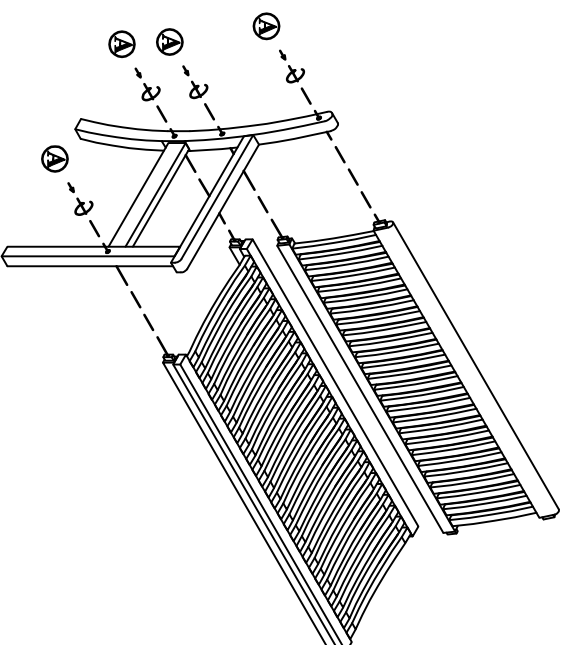


# ASSEMBLY INSTRUCTION C 1208AB

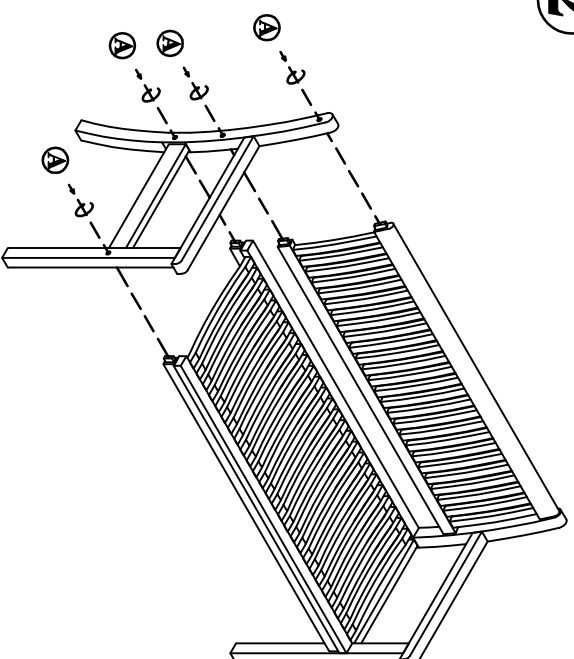
## DESCRIPTION



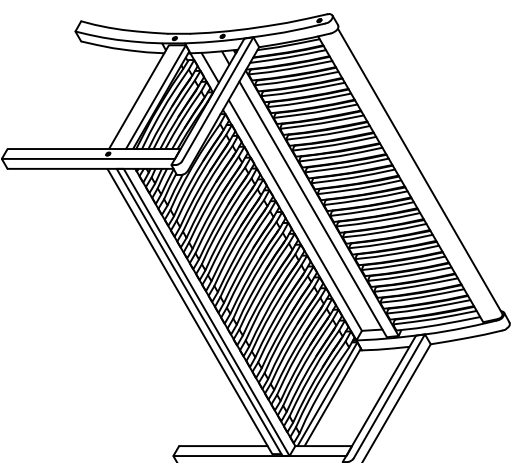
1



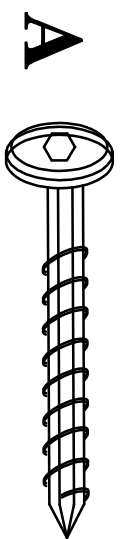
2



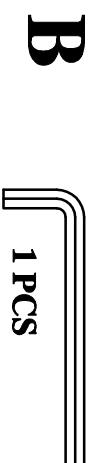
3



## HARDWARE C 1208AB



M6 x 60 : 8 PCS



1 PCS