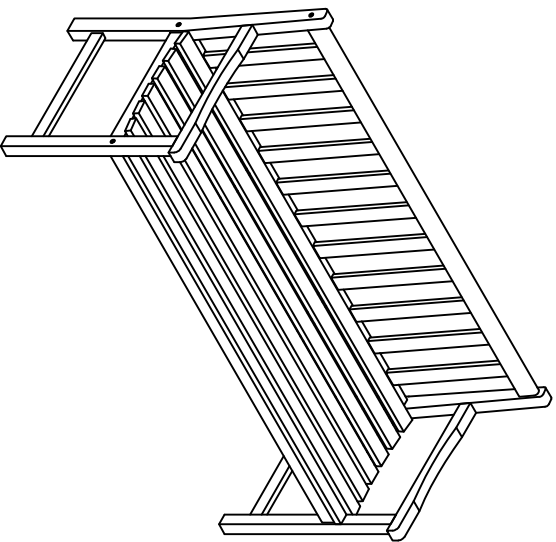
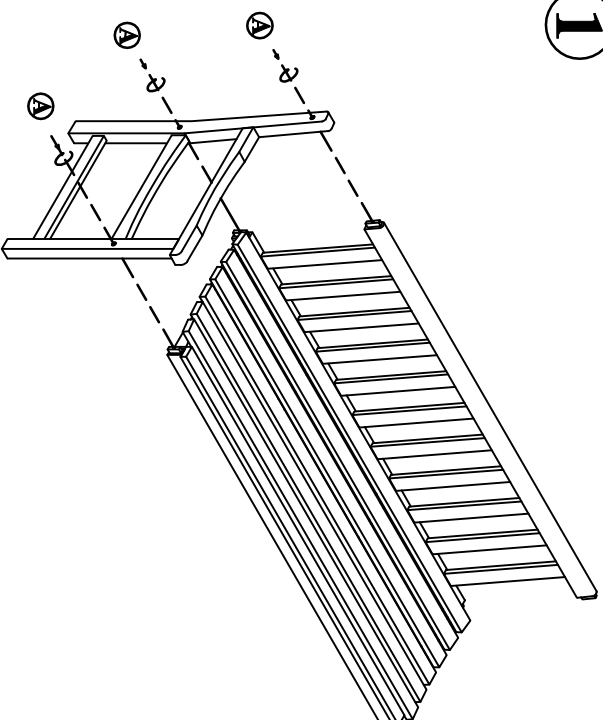


ASSEMBLY INSTRUCTION C 1201AC

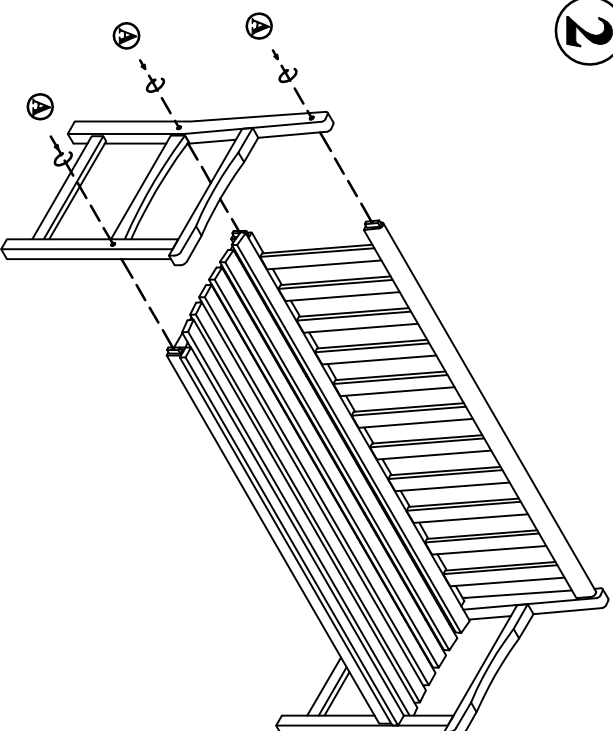
DESCRIPTION



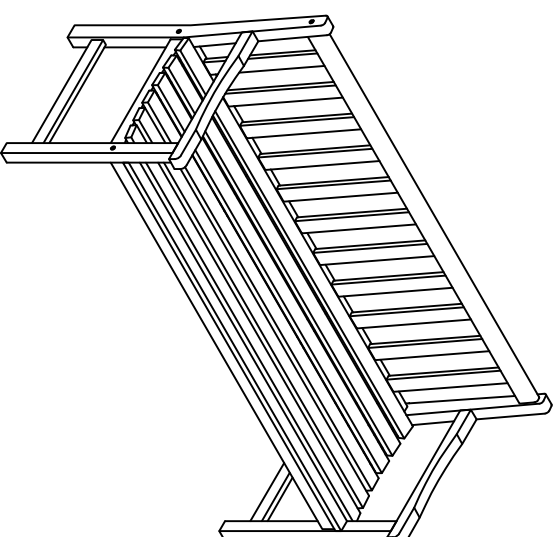
1



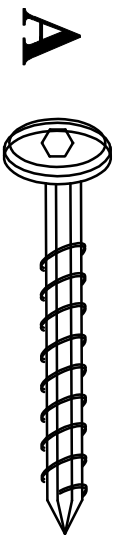
2



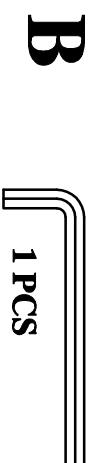
3



HARDWARE C 1201 AC



M6 x 60 : 6 PCS



1 PCS