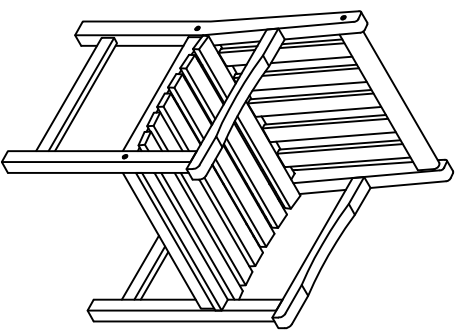
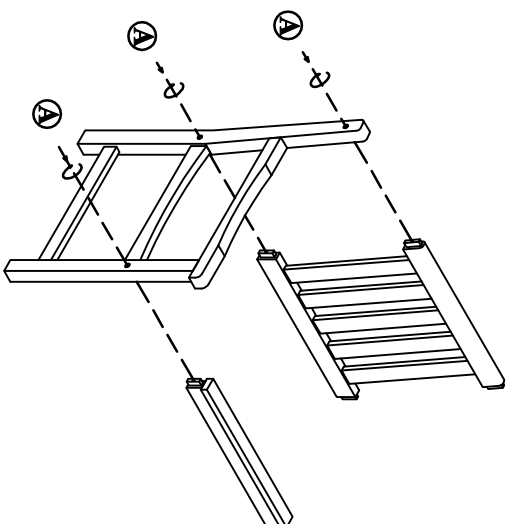


ASSEMBLY INSTRUCTION C 1201A

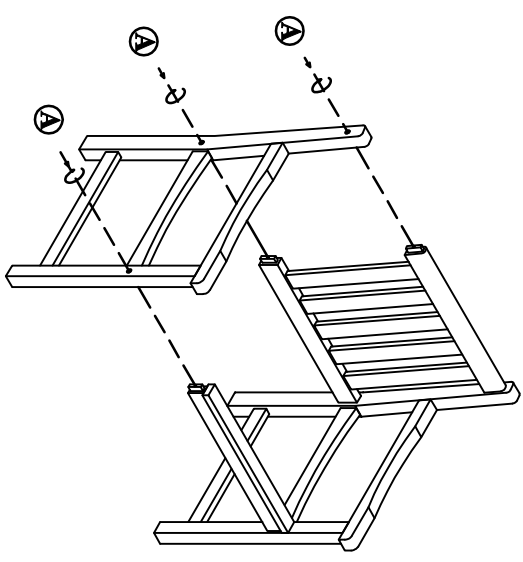
DESCRIPTION



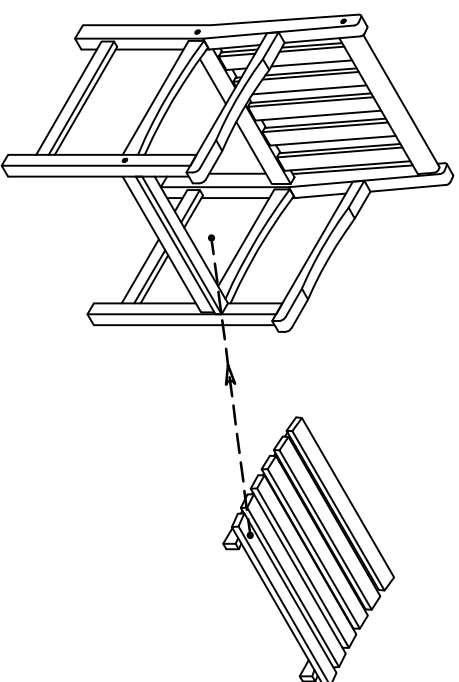
1



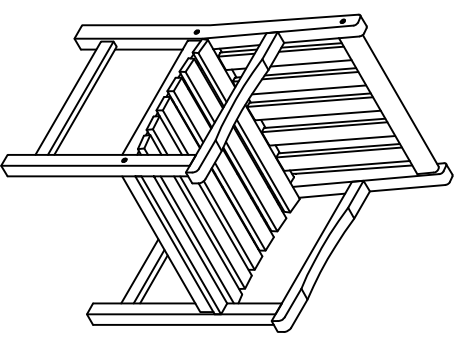
2



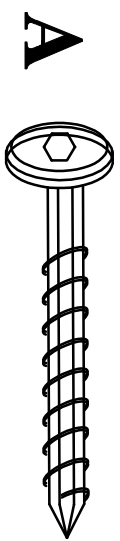
3



4



HARDWARE C 1201A



M6 x 60 : 6 PCS



1 PCS