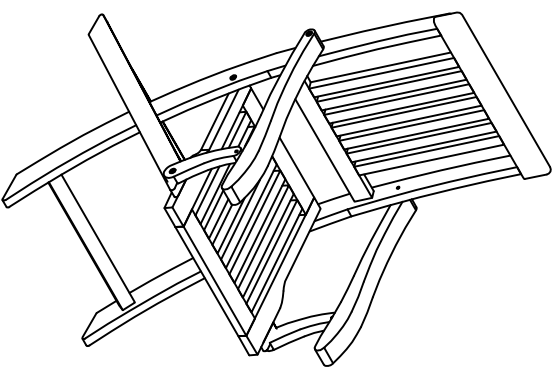
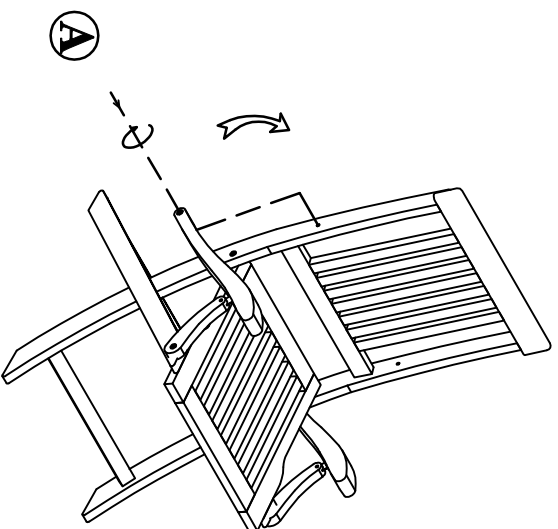


# ASSEMBLY INSTRUCTION C 1004

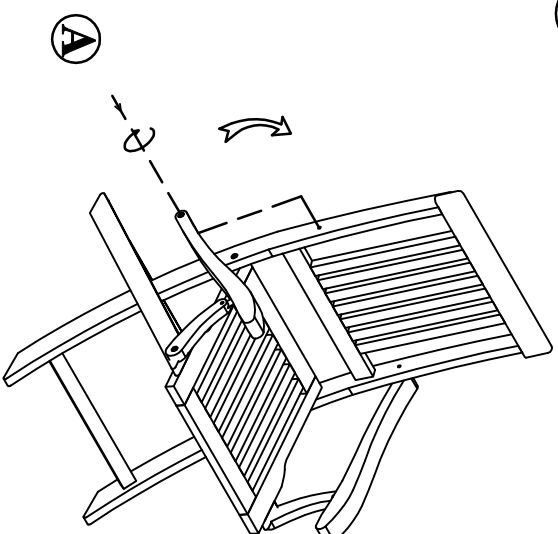
## DESCRIPTION



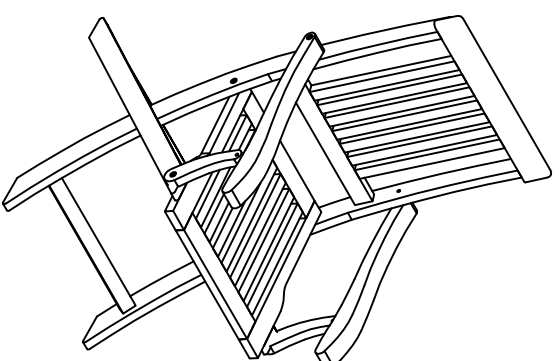
1



2

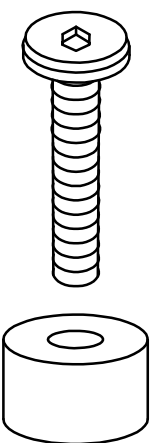


3



## HARDWARE C 1004

A



M6 x 70 : 2 PCS

B



1 PCS