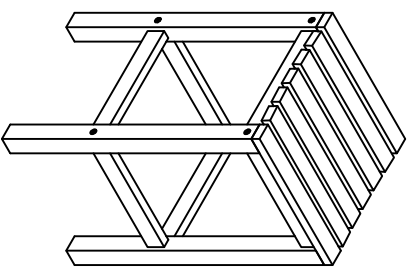
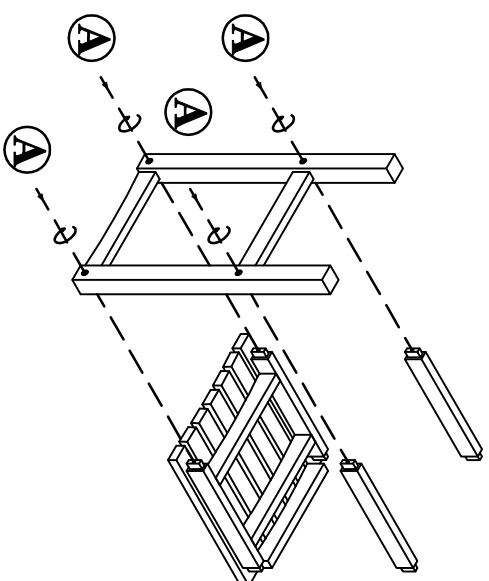


# ASSEMBLY INSTRUCTION C 020

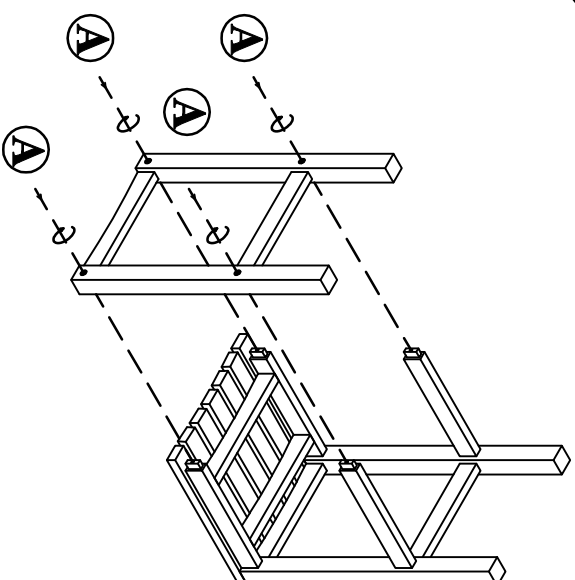
## DESCRIPTION



1

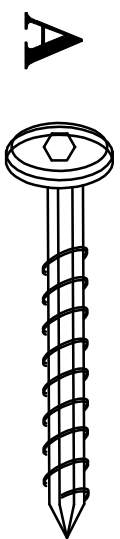


2

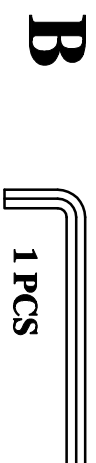


3

## HARDWARE C 020



M6 x 60 : 8 PCS



1 PCS

