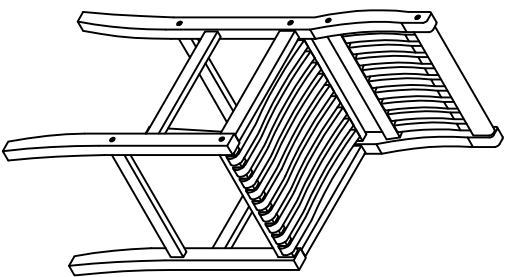
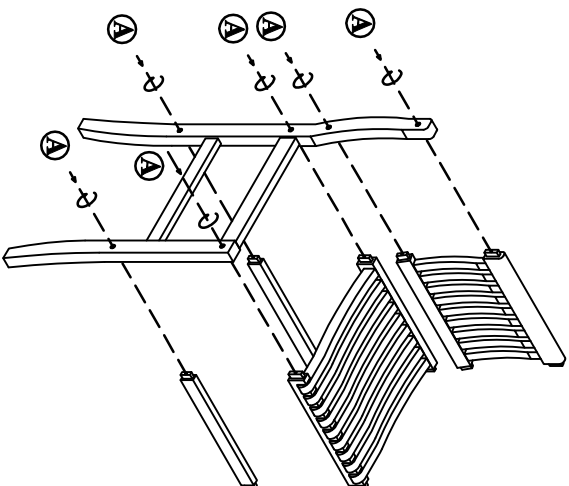


ASSEMBLY INSTRUCTION C 006

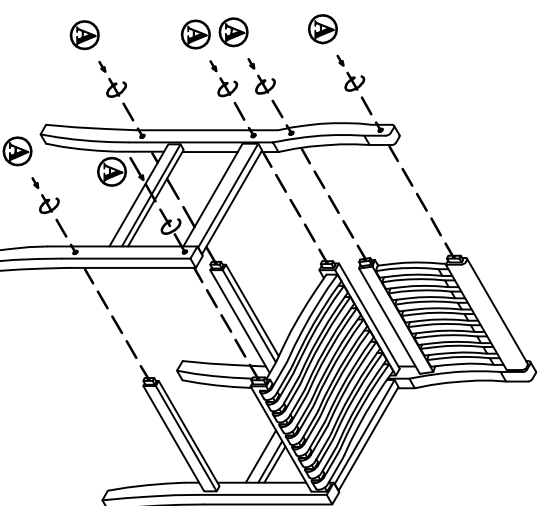
DESCRIPTION



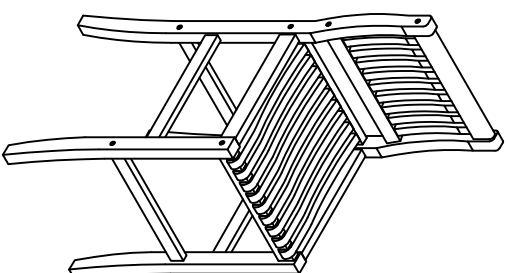
1



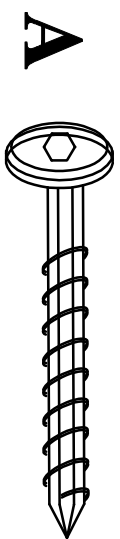
2



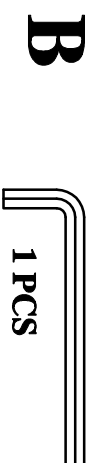
3



HARDWARE C 006



M6 x 60 : 12 PCS



1 PCS