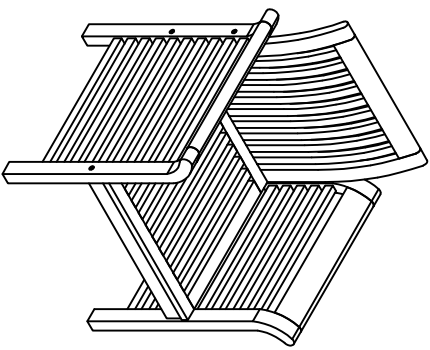
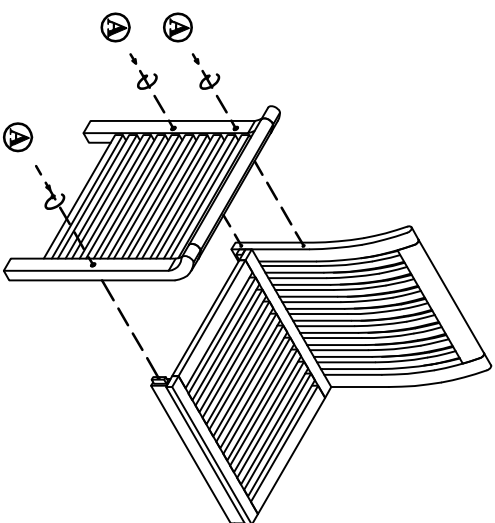


ASSEMBLY INSTRUCTION C 001

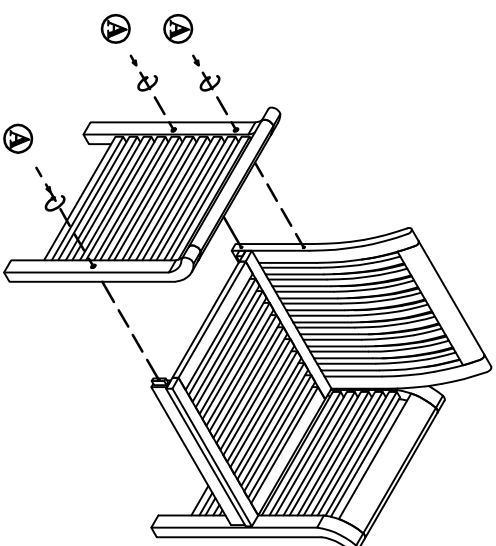
DESCRIPTION



①

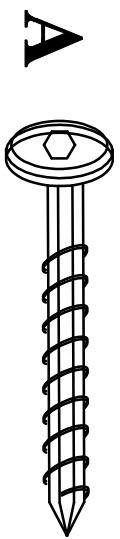


②



③

HARDWARE C 001



M6 x 60 : 6 PCS



1 PCS

