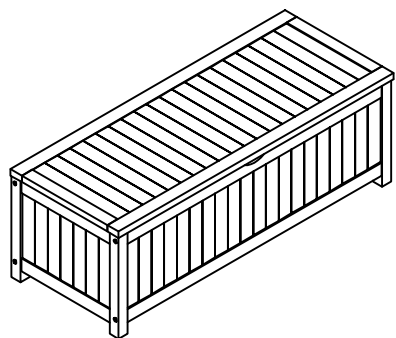
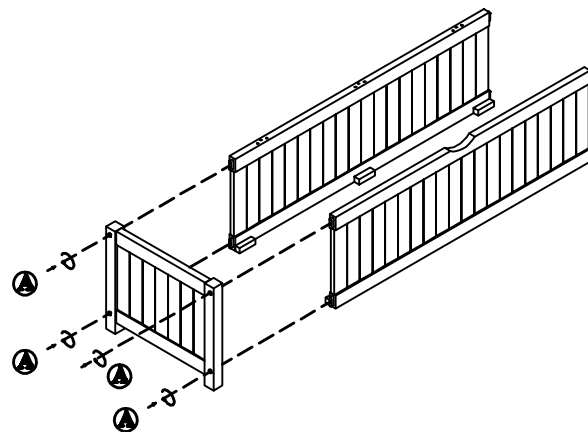


# ASSEMBLY INSTRUCTION B 006

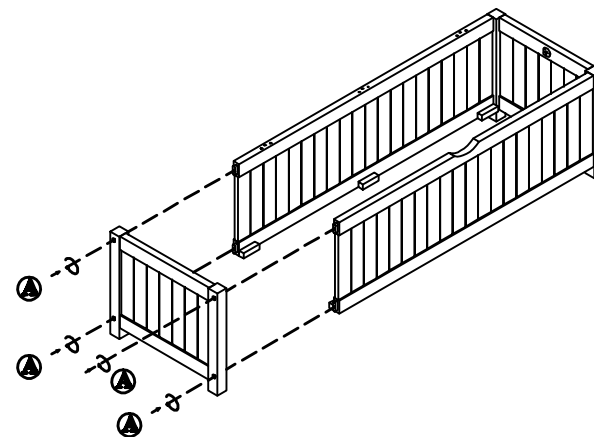
## DESCRIPTION



①

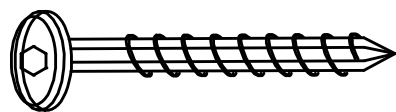


②



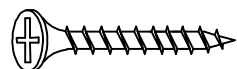
## HARDWARE B 006

**A**



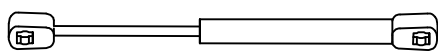
M6 x 60 : 08 PCS

**B**



M4 x 20 : 09 PCS

**C**



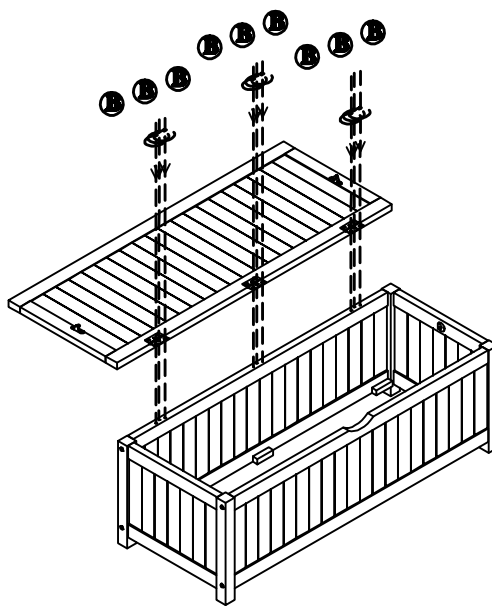
2 PCS

**D**



1 PCS

③



④

