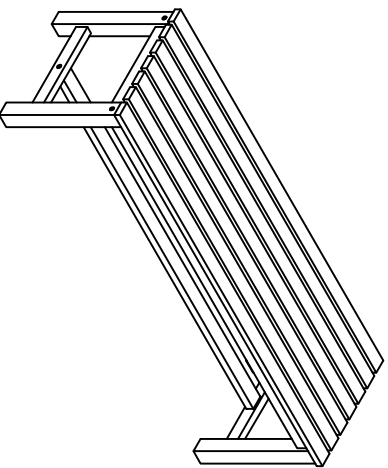
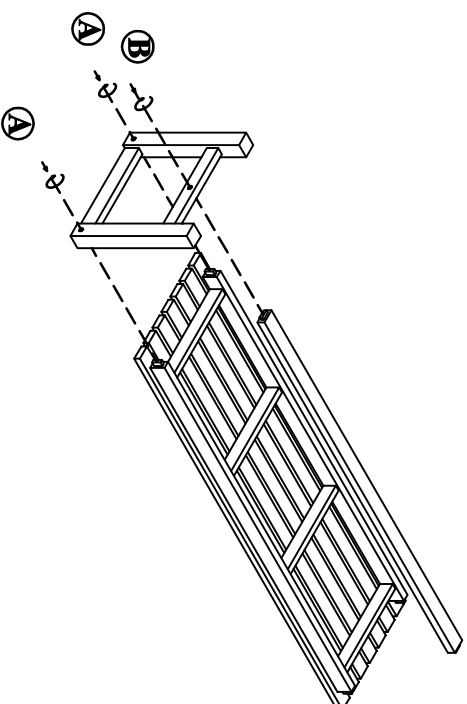


ASSEMBLY INSTRUCTION B 002

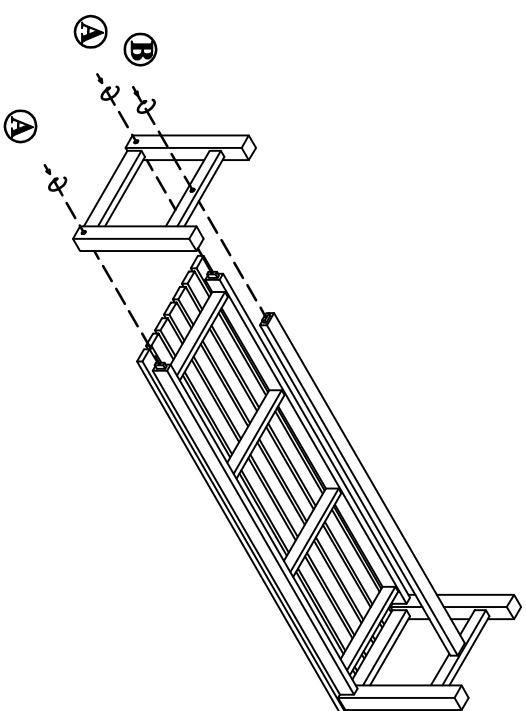
DESCRIPTION



1



2



3

HARDWARE B 002

