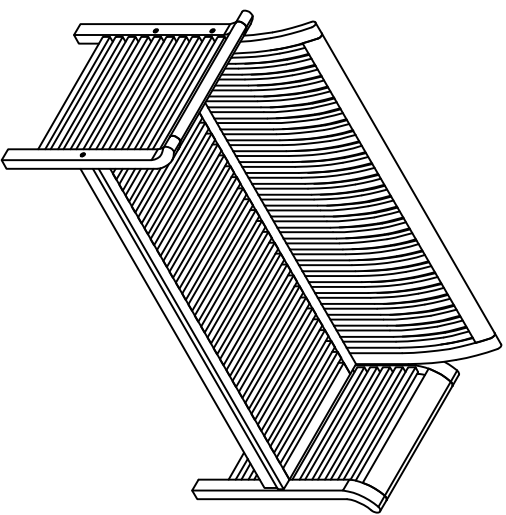
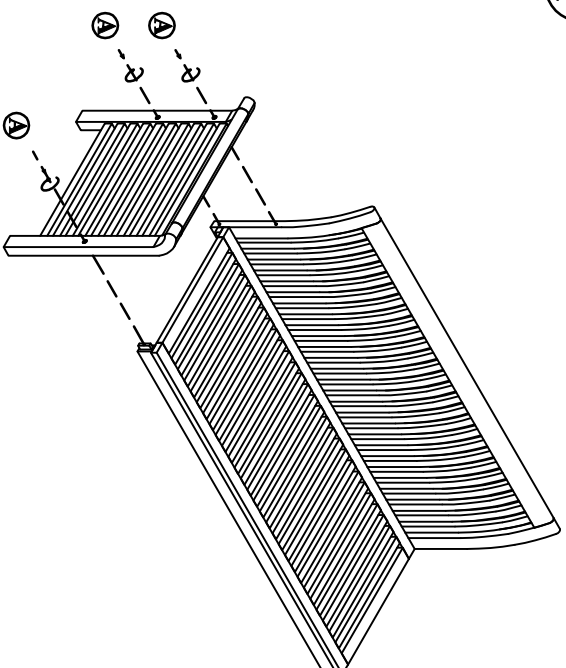


# ASSEMBLY INSTRUCTION B 001

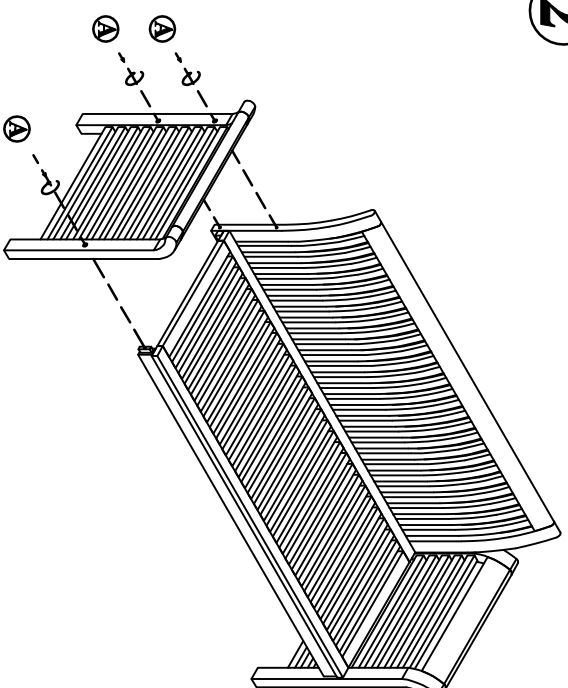
## DESCRIPTION



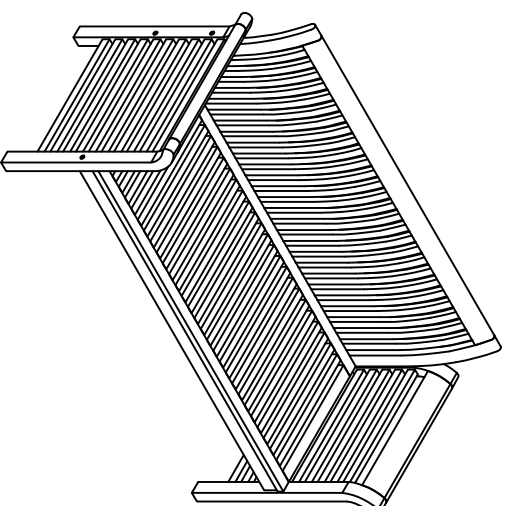
1



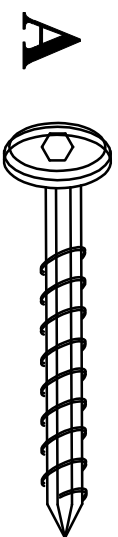
2



3



## HARDWARE B 001



M6 x 60 : 6 PCS



1 PCS