

Warning

Improper product use may lead to electrical shocks, accidental fire, personal injuries, and other damages.

- ⊗ Please do not operate the product on an uneven or unsteady surface where it may topple over.
 - ⊗ Please do not operate the product near other objects which may topple over.
 - ⊗ Please do not operate the product in a hot and humid environment, such as a bathroom.
 - ⊗ Please discontinue your use of the product if the power cord is damaged or the power plug is loose.
 - ⊗ Please do not operate the product if the fan grille is not properly installed or the rear fan grille is loose/missing.
 - ⊗ This appliance can be used by children aged from 8 years and above and persons with reduced physical, sensory or mental capabilities or lack of experience and knowledge if they have been given supervision or instruction concerning use of the appliance in a safe way and understand the hazards involved.
-
- ⊗ Children shall not play with the appliance.
 - ⊗ Cleaning and user maintenance shall not be made by children without supervision.
 - ⊗ Please do not take the product apart on your own.
 - ⊗ Please do not fold, bend, or twist the power cord with excessive force to prevent exposed or broken wires.
 - ⊗ Please do not insert your finger or foreign objects into the front fan grille, rear fan grille, or the fan blades while the fan is in operation.
 - ⊗ Please keep your hair or fabrics away from the fan to prevent objects from becoming entangled in the fan blades.
 - ⊗ To reduce the risk of fire or electric shock, do not use this appliance with any solid-state speed control device.

-
- ⊗ This appliance has a polarized plug (one blade is wider than the other). To reduce the risk of electric shock, this plug is intended to fit in a polarized outlet only one way. If the plug does not fit fully in the outlet, reverse the plug. If it still does not fit, contact a qualified electrician. Do not attempt to defeat this safety feature.
 - ⊗ Please do not use the supplied power cord with any other product.
 - ⊗ This appliance contains batteries that are only replaceable by skilled persons.
 - ⊗ The remote controller is powered by 1 LRAAA battery, insert 1 LRAAA battery with the correct polarity in the battery compartment. The supply terminals are not to be short-circuited.

-
- ⊗ Non-rechargeable battery used for remote controller is not to be recharged. Exhausted batteries are to be removed from the appliance and safely disposed of.
 - ⊗ If the remote controller is to be stored unused for a long period, the battery in the remote controller should be removed.

Safety instructions

Precautions

Handling

- ⚠ Always turn the fan off and unplug it before moving it.
- ⚠ Hold the fan column firmly to prevent falling and personal injuries.

Installation

- ⚠ Be sure to properly install the product according to the instructions to avoid electric shocks, fire hazards, personal injuries, and any other accidents.
- ⚠ When installing and dismantling the device, be sure to first disconnect the AC power. This fan contains a battery. When assembling the unit, mount the fan cover and fan blades first, and then assemble the base to prevent the fan from starting accidentally and causing mechanical hazards.

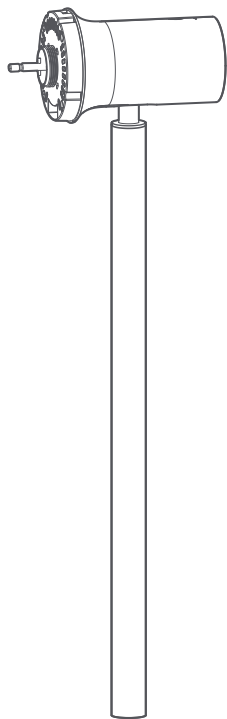
In use

- ⚠ If you encounter any of the following: abnormal sound, strange odor, high temperature, inconsistent fan rotation, etc., stop the fan immediately.
- ⚠ Do not lean on the fan or tilt the fan while it is running.
- ⚠ Do not dismantle the device by yourself. In case repair or consultation is needed, please contact Smartmi customer service.

Power cord

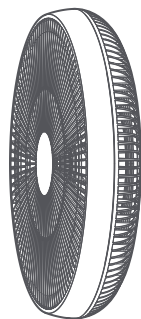
- ⚠ Disconnect the AC power cord from AC power outlet prior to maintaining or moving the fan.
- ⚠ When disconnecting the AC power cord, do not pull or drag it.
- ⚠ If the plug or insulation of the power cord is damaged, it must be replaced with either a dedicated power cord or one purchased from the maintenance department of the manufacturer.

Package list



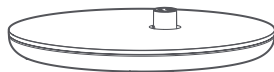
1

Motor + column



2

Fan assembly



3

Base



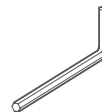
4

Fan blade knob



5

Fan cover knob



6

Allen wrench



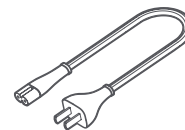
7

Base bolt



8

Screw for fan cover



9

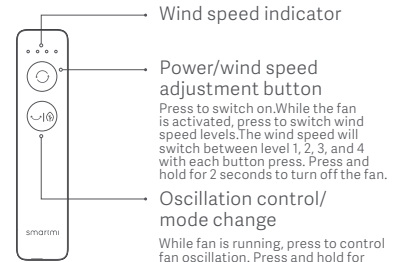
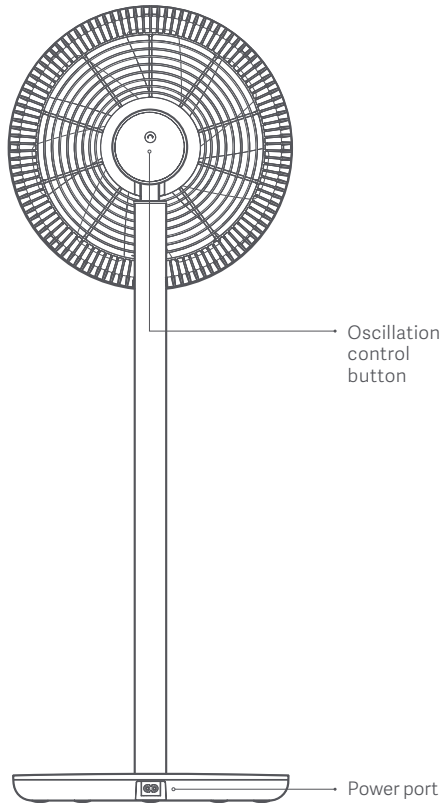
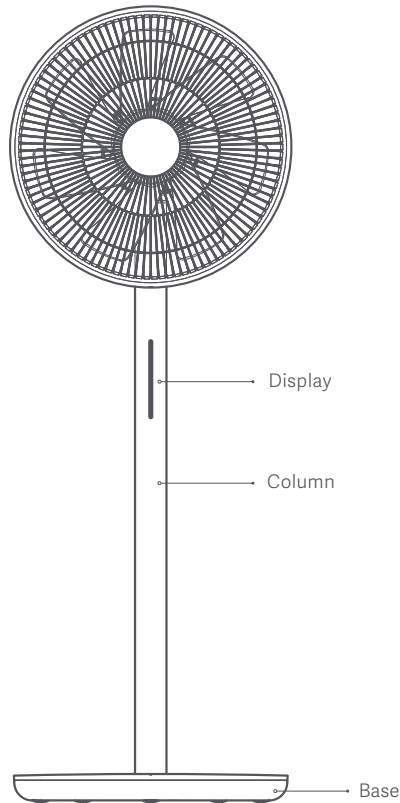
Power cord



10

Remote control

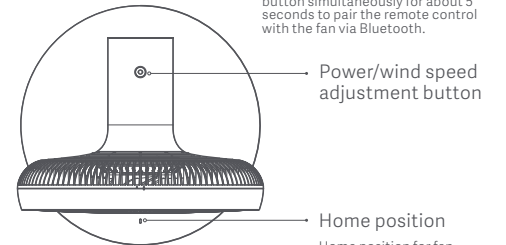
Product overview



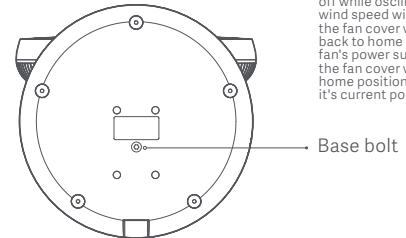
Press to switch on. While the fan is activated, press to switch wind speed levels. The wind speed will switch between level 1, 2, 3, and 4 with each button press. Press and hold for 2 seconds to turn off the fan.

While fan is running, press to control fan oscillation. Press and hold for 2 seconds to switch to the natural breeze mode. Press and hold for 2 seconds again to turn off the mode.

Note: Press "Power/wind speed adjustment" button and "Oscillation control/mode change" button simultaneously for about 5 seconds to pair the remote control with the fan via Bluetooth.



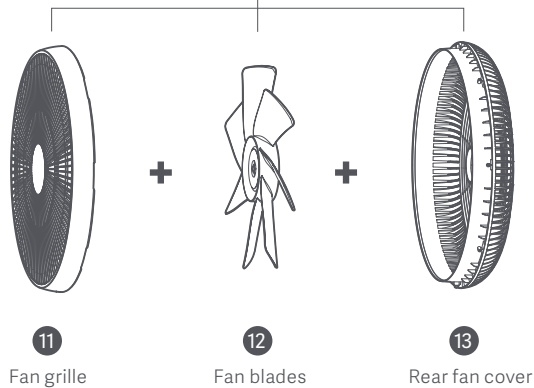
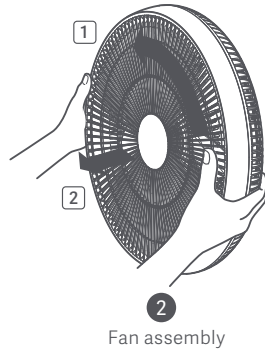
Home position for fan oscillation. If the fan is turned off while oscillation is on, the wind speed will be reduced and the fan cover will slowly rotate back to home position. If the fan's power supply is cut off, the fan cover will not return to home position and will remain in its current position at the time.



Installation

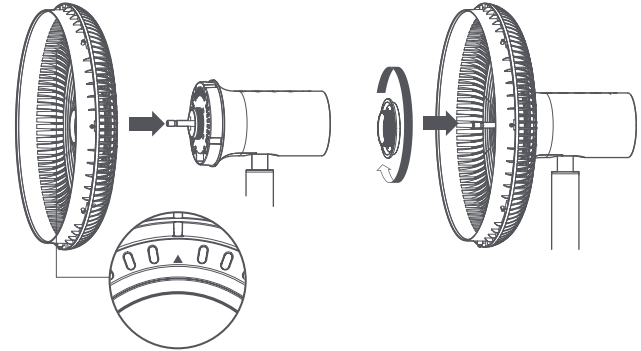
Dismantling the fan assembly

Take out the fan assembly. Rotate the fan grille counterclockwise until it is loose, as shown in Fig. 1 below. Remove the fan grille as per the directions in Fig. and remove 2 fan blades.



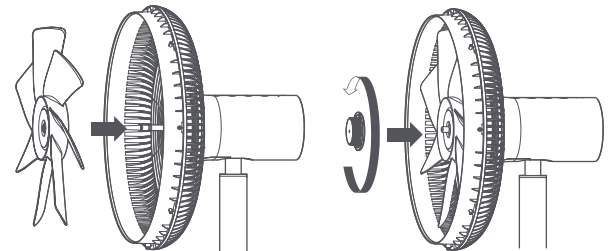
Installing the rear fan cover

Place the rear fan cover on the motor aligned at the top ▲ position. Tighten 5 fan cover knob clockwise to attach the rear fan cover to motor.



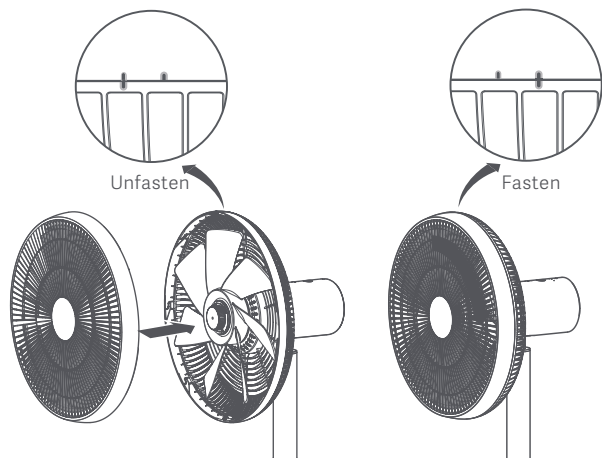
Installing the fan blades

Align the center hole of fan blades with the motor shaft and push into position. Tighten the 4 blade knob counterclockwise to attach fan blades to motor that has the rear fan cover installed.



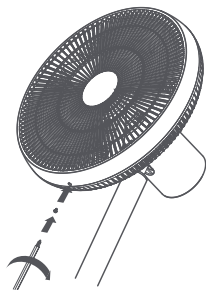
Installing the fan grille

Place the fan grille into the frame of the rear fan cover, then rotate the fan grille clockwise to align with the engraved markings on the rear cover.

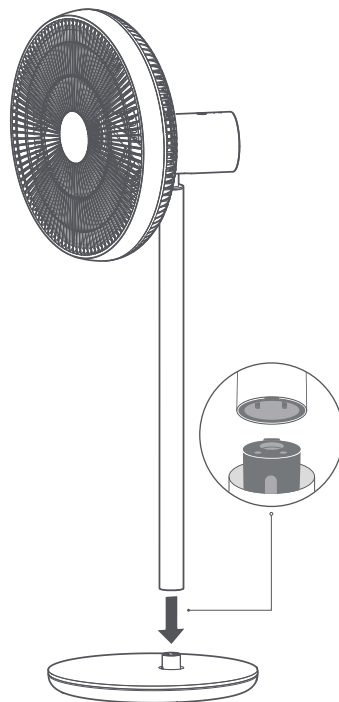


Fastening the fan grille

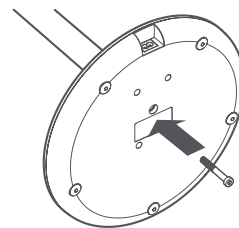
Insert the **8** screw for fan cover into the hole at the bottom of the fan cover, then fasten it clockwise with a Phillips head screwdriver.



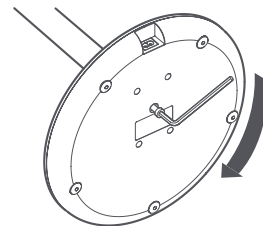
Installing the base



- 1 Align the **1** motor and **3** column with the base socket in the direction shown above, then insert the lower end of column into base socket.



- 2 Insert the **7** base bolt into the hole at the bottom of the base.



- 3 Tighten the **6** base bolt clockwise with the **7** Allen wrench to secure column to base.

Installation

Connecting to power supply/charging the battery

Plug one end of the power cord into the power port on the back of the base and the other end into a power supply to connect the power supply and charge the battery.

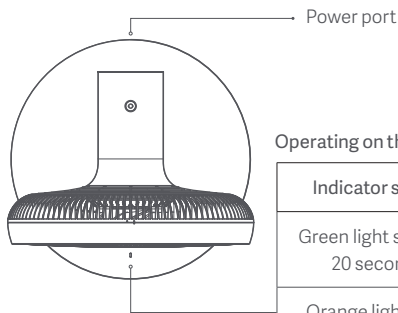
There is a battery contained inside the fan base. When it is sufficiently charged, the power cord can be unplugged and the device can be used independently.

If the battery is installed and the fan is connected to a power supply, no battery power will be consumed while it is running, and the battery will be charged to full capacity.

Charging

When the battery level is between 0%–90%, the indicator light is orange and slowly fades off in 20 seconds.

When the battery level is between 91%–100%, the indicator light remains solid green for 20 seconds.



Operating on the battery

Indicator status	Battery level
Green light solid for 20 seconds	21%-100%
Orange light solid	11%-20%
Orange light blinking	0%-10%

Connect with Mi Home / Xiaomi Home App

This product works with Mi Home / Xiaomi Home app*. Control your device with Mi Home / Xiaomi Home app.

Scan the QR code to download and install the app. You will be directed to the connection setup page if the app is installed already. Or search "Mi Home / Xiaomi Home" in the app Store to download and install it.

* The app is referred to as Xiaomi Home app in Europe (except for Russia). The name of the app displayed on your device should be taken as the default.

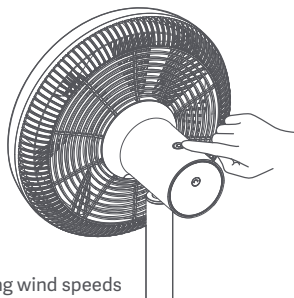


Open Mi Home / Xiaomi Home app, tap "+" on the upper right, and then follow prompts to add your device.

Note: The version of the app might have been updated, please follow the instructions based on the current app version.


Use

Features



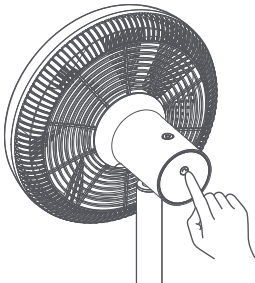
Turning on or off/Adjusting wind speeds

Power on


Press the  button to start the fan. When it is turned on for the first time, the wind speed will be set at Level 1. When it is turned on again after being turned off, the wind speed will default to the level set when last powered on.

Power off

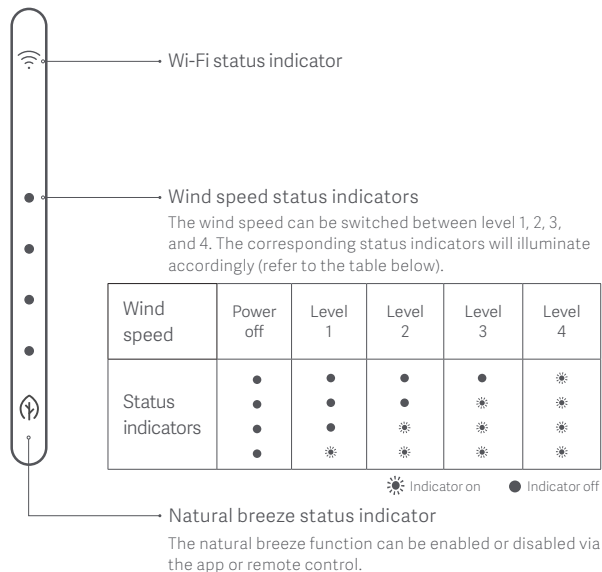
Press and hold the  button for 2 seconds to stop the fan.





Setting oscillation

Press the  button to set fan oscillation. When the fan is turned off, it will automatically return to the home position.

Screen display





Pairing remote control via Bluetooth

1. Press and hold the  and  buttons simultaneously for 5 seconds. The 4 wind speed indicators will begin to flash simultaneously, and will go out once pairing is successful.
2. When a pairing request is received by the fan, the 4 LEDs on the fan body will begin to flash. At this point, press any button on the fan to pair. A beep indicates that pairing has been successful.
3. If no button is pressed on the fan within 30 seconds, pairing will discontinue and the remote control will stop flashing.

Use

Resetting Wi-Fi

If the fan cannot connect to the phone, press  and  simultaneously for 5 seconds. A beep indicates that Wi-Fi has been successfully reset.



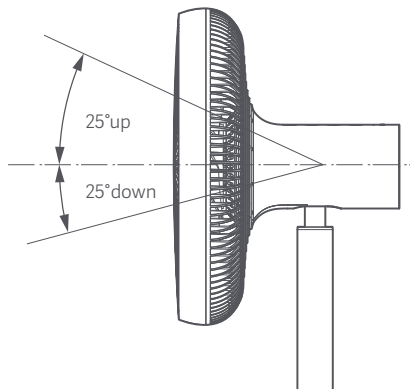
Wi-Fi status indicator

Connected ———→ Solid

Not connected ———→ Blinking

Pitch

To adjust the fan's pitch, gently lift or press the motor or fan cover.



Additional functions

The natural breeze mode and ionizer function can be enabled via the app. More functions such as "Oscillation angle setting" and "On/off timer" can be used on the app.

Troubleshooting

Issue	Cause	Solution
Fan does not run	No power is supplied to power outlet	Use an outlet that has power
	Power cord is not connected properly	Connect power cord correctly
	Fan column and base are not installed properly	Align fan column with the socket on the base, and fasten connecting screws
Wi-Fi cannot be connected	Router is on 5G channel	Connect router via 2.4G channel
	Mobile app is using up too much memory	Shut down the app completely and restart
	Fan has been unable to connect to network for more than half an hour	Reset Wi-Fi (please refer to "Resetting Wi-Fi")
Fan blades stop, fan beeps three times, and four indicators flash	Foreign object stuck in fan blades	Power off the fan and remove the foreign object
	Motor failure	Contact post-sales service