

# smartmi

Smartmi Air Purifier P1 User Manual



[www.smartmiglobal.com](http://www.smartmiglobal.com)

# Table of Contents

## Smartmi Air Purifier P1 User Manual

WARNING	01
CAUTION	02
Package Contents	03
Product Overview	04
Installation	06
Use	07
Linking the Device to Smartmi Link	09
Intelligent Control with Apple HomeKit	10
Maintenance and Care	13
Specifications	14

## **WARNING**

- When the power adapter is damaged, it must be replaced with a genuine power adapter purchased from the manufacturer or after-sales service department.
- This appliance can be used by children aged from 8 years and above and persons with reduced physical, sensory or mental capabilities or lack of experience and knowledge if they have been given supervision or instruction concerning use of the appliance in a safe way and understand the hazards involved.
- Children shall not play with the appliance. Cleaning and user maintenance shall not be made by children without supervision.
- To reduce the risk of fire or electric shock, do not use this appliance with any solid-state speed control device.

**READ AND SAVE THESE INSTRUCTIONS**

# CAUTION

- Turn off and unplug the purifier before moving it.
- 

- The purifier cannot turn on when the fan grille and the filter compartment cover are not installed properly.
  - Maintain a distance of at least 20 cm between the air inlets and walls or other objects.
- 

- Prior to cleaning or other maintenance, the appliance must be disconnected from the supply mains.
  - Frequently remove dust, hair, and other particles from the outer mesh screen of the filter, so as to reduce the chance of bacteria growth.
  - Remove dust, hair, and particles from the purifier's air inlets to prevent a reduction of air intake.
  - Cover the air outlet to prevent dust, hair, and other particles from falling in when the purifier is left unused for a long time.
- 

To avoid fire, electric shocks, or other damage, use the power adapter and electrical outlet as instructed below:

- Do not excessively pull, twist or bend the power adapter, as this may expose or break the cord's core.
  - The power adapter must be plugged into a suitable electrical outlet.
  - Use the power adapter that is provided with the purifier, do not use any third party power adapters.
  - Always unplug the purifier before carrying out maintenance to or moving the air purifier.
- 

- Immediately stop using the purifier when it makes unusual sounds, gives off bad odors, overheats, or its fan rotates irregularly.

- Do not stick your fingers or foreign objects into the protective parts, movable parts, air inlets, or air outlets.
  - Keep objects such as hairs or fabrics away from the purifier to avoid blocking the air inlets or air outlets.
  - Do not sit on, lean on or tilt the purifier.
  - When using in conjunction with gas-fueled appliances (such as gas stoves, gas heaters), please ventilate sufficiently to avoid carbon monoxide poisoning.
  - Do not pour liquids, nor throw powders or other small substances into the purifier's air outlet.
- 

Do not use the purifier in the following circumstances, as they may result in electric shocks, fire, or other damage:

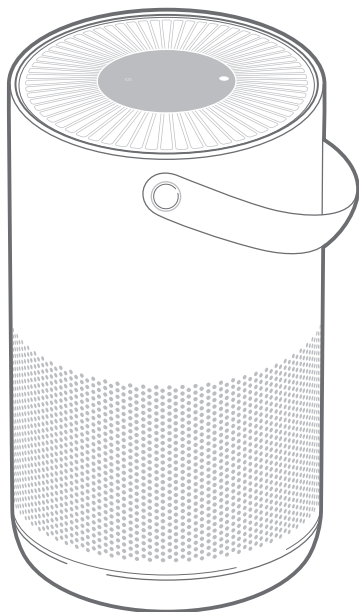
- Near open flames, such as candles, incense burners, stoves, fireplaces, cigarettes, firecrackers, lighters, multipurpose torches, candle lighters, or fire pans.
- Near appliances that generate high temperatures, such as electric heaters, fan heaters, electric foot warmers, electric stoves, electric irons.
- Make sure no inflammable objects get into the purifier.
- In unstable locations where the purifier can easily fall over.
- In environments that are extremely hot, humid, or damp, such as bathrooms.

# Package Contents

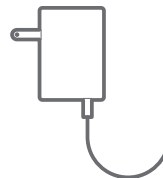
Read this manual carefully before use, and retain it for future reference.

Note: In this manual, the illustrations of the product and its accessories and the user interface are schematic diagrams for reference only.

The actual product may vary from that shown in the schematic diagrams due to product updates and upgrades. Please refer to the actual product.



Air Purifier

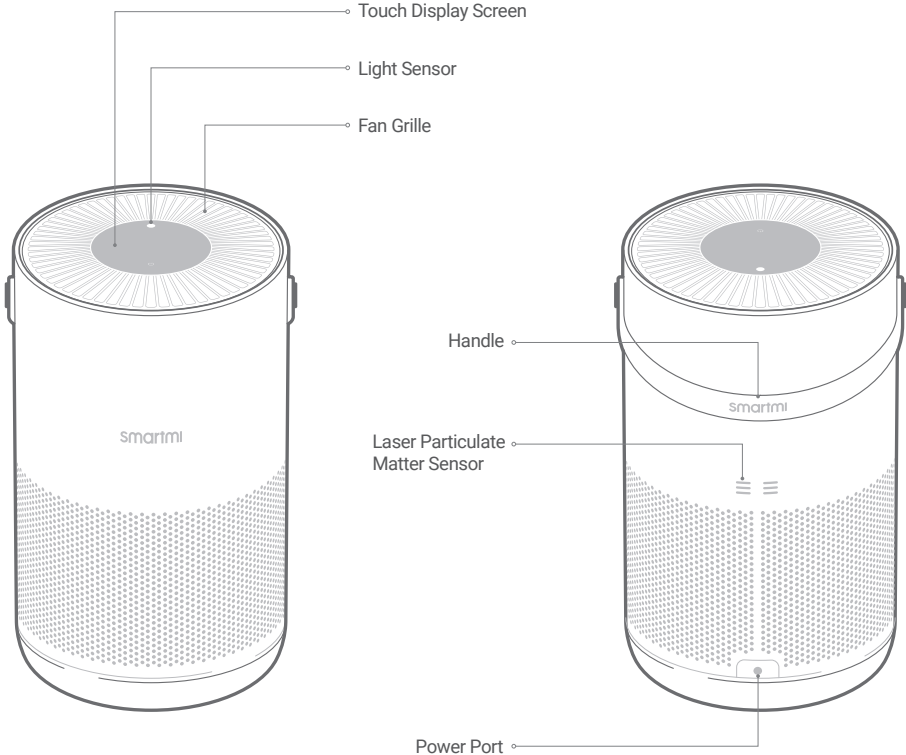


Power Adapter



User Manual

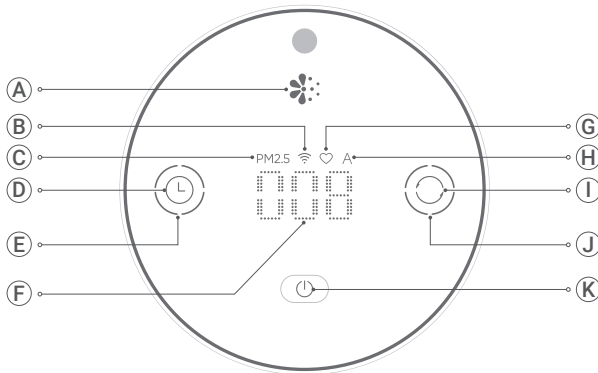
# Product Overview



Front View

Rear View

## Screen Display



**(A)**

### Pollen Alert Indicator

- ☼: Green ..... Very good
- ☼: Yellow ..... Good
- ☼: Orange ..... Moderate
- ☼: Red ..... Unhealthy

Note: ☼: indicates the level of PM 2.5-10 (covering common pollen sizes)

**(B)**

### Wi-Fi Status Indicator

**(C)**

### PM2.5 Indicator

**(D)**

### Timer

Press "D" button to cycle through time settings and to activate the timer

**(E)**

### Timer Display

The timer display changes according to which time setting has been selected.

**(F)**

### PM2.5 Level

**(G)**

### Custom Indicator

After "Custom" mode is selected, "♥" will illuminate on the screen.

**(H)**

### Auto Indicator

After "Auto" mode is selected, "A" will illuminate on the screen.

**(I)**

### Mode Selection Button

Press "L" button to switch between purification modes.

**(J)**

### Mode Display

- Sleep** Purifier operates in ultra-low noise mode for a favorable sleeping environment.
- Normal** Purifier operates at its optimal mode and noise level. Applicable for daily use.
- Custom** Purification rate can be customized by adjusting the applicable range within the app.
- Auto** Purification rate setting automatically adjusts depending on IAQ.

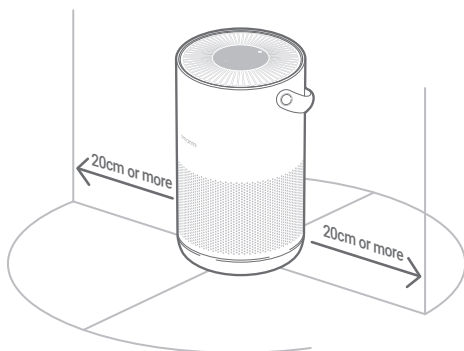
**(K)**

### Power Button



# Installation

- 1 Place the purifier on a flat and stable surface with the touch screen facing upwards.

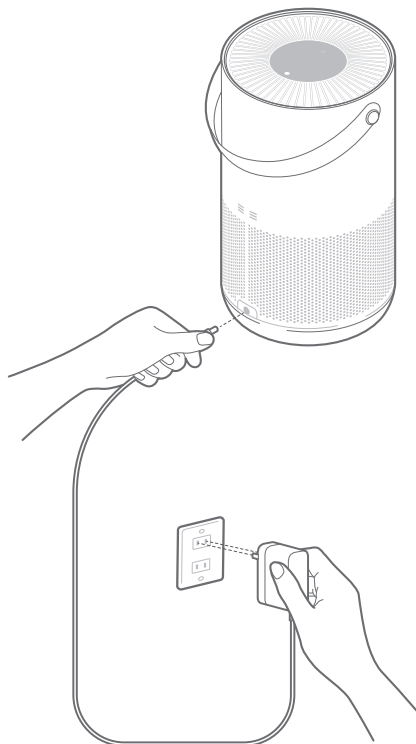


## Placing the Purifier at an Appropriate Place

To allow the purifier to operate as effectively as possible, maintain a suitable distance between its air inlet and obstructions such as walls (see figure above).

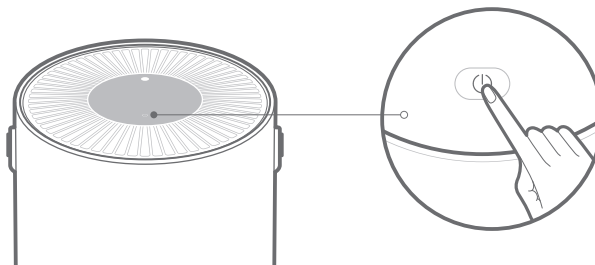
Note: For optimal air purification, keep doors and windows closed during use.

- 2 Connect power adapter to the power port at the bottom of the main unit. Then connect the power adapter to a power socket.

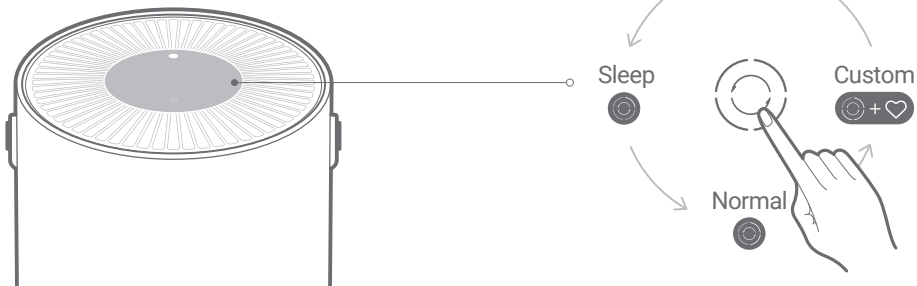


# Use

- 1 After connecting to a power supply, press "⏻" button to power on. Upon initial startup, the purifier will operate in "Auto" mode. For subsequent startups, it will operate in such mode that it is shut down previously.



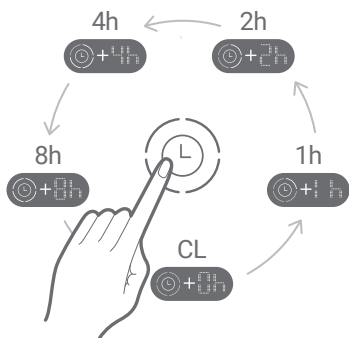
- 2 Press "⏻" button to set a mode for the purifier.



## Note:

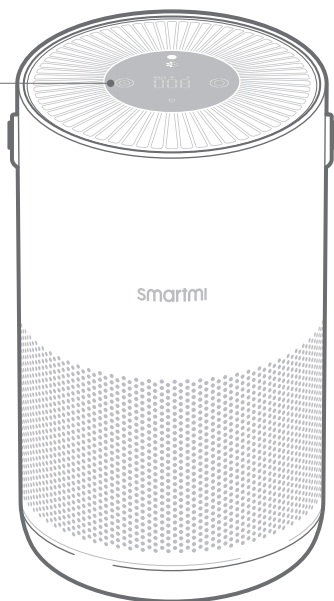
- When "Auto" mode is selected, "A" will be illuminated on the screen, and the purifier will adjust the purification level automatically based on the IAQ.
- In "Custom" mode, settings may be adjusted after connecting to the Smartmi Link app and adding a device. By default, the purifier can operate at full capacity in this mode, resulting in slightly noisier operation but superior results.

- 3 Press "⏸" button to set shutdown time in advance.



Note:

- After the timer is activated, the indicator will illuminate. Available time intervals are displayed as follows, "0h, 1h, 2h, 4h, and 8h". If 0h is selected, the timer will be canceled.
- To cancel the timer, press "⏸" button until the timing indicator is off and "0h" is displayed on the screen.
- Once the timer runs out, the purifier will shut down automatically.
- Upon startup, the purifier will not have a time setting for shutdown.
- The timer will start again only if it has been reset.



- 4 Press "⏸" button to turn the purifier off.

# Linking the Device to Smartmi Link

This product has been linked to the Smartmi Link and can be controlled using the app.

Scan the QR code or search for "Smartmi Link" on the app store to download and install the app. Go to the app's homepage, click "+" in the middle of the page, then add the device as prompted.



Note:

- Please ensure that your Wi-Fi network is both available and has Internet access. Place your phone as close to this product as possible. (This product does not support 5G networks)
- This product will be listed as "Smartmi Air Purifier P1" in the app's device listing.

# Intelligent Control with Apple HomeKit

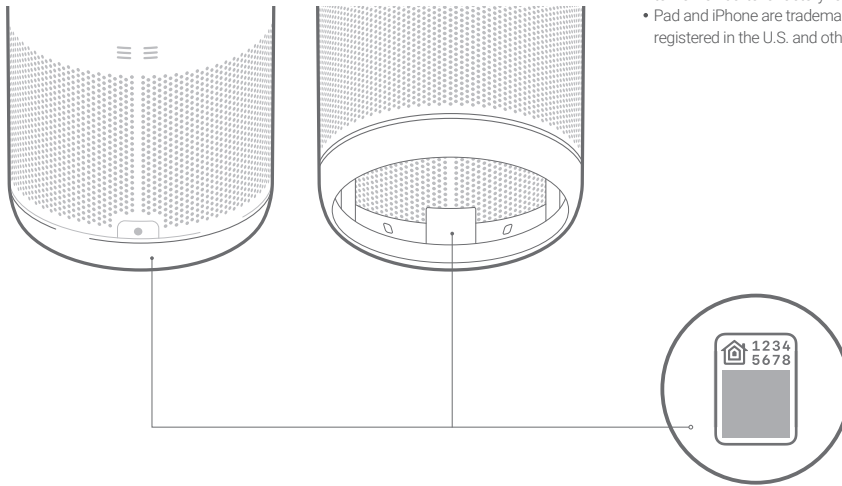
- 1 Open the Home app on your iPhone/iPad.
- 2 Tap "Add Accessory" and then scan the HomeKit setup code on the product sticker (two stickers on the device unit, see illustration), or enter the eight-digit setup code above the HomeKit Setup Code. The device will then be linked to the Apple Home app.

The device can be linked to Smartmi Link after linking to HomeKit. Go to the Personal Info page on Smartmi Link. Tap "HomeKit Info" and then link the HomeKit device as prompted.

Devices linked to Smartmi Link can also be added to HomeKit. Go to the Device Control page on Smartmi Link. Tap "Add to HomeKit" in "Settings" and then link the device to HomeKit as prompted.

Note:

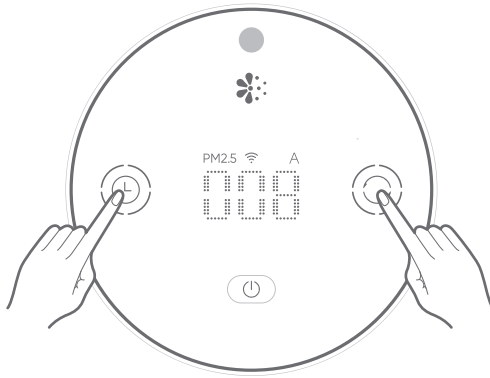
- Please ensure that your Wi-Fi network is both available and has Internet access. Place your phone as close to this product as possible. (This product does not support 5G networks).
- To control this accessory which is compatible with HomeKit, it is recommended to use iOS 13.0 or a later version.
- Please keep the HomeKit setup code, as you will need to scan the code to link the device to HomeKit after a factory reset.
- Pad and iPhone are trademarks of Apple Inc., registered in the U.S. and other countries.



HomeKit Setup Code

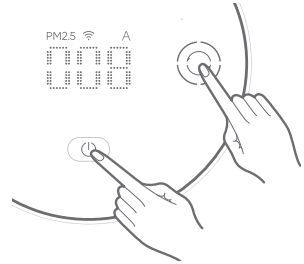
## Resetting Wi-Fi

When your phone connects to the purifier for the first time or if your phone fails to connect, hold down the buttons "○" and "⏻" simultaneously for 5 seconds. The Wi-Fi icon on the screen will flash. When you hear a sound, the Wi-Fi module has been reset successfully.



## Resetting Purifier

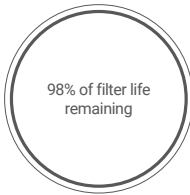
Hold down the buttons "○" and "⏻" simultaneously for 10 seconds. After you hear a sound, the purifier has been reset successfully.



## Filter Status Reminder

### 1. Checking Filter Lifespan

Click on the product page on the app and check the filter level, which will be displayed as a percentage.



### 2. Filter Replacement Reminder

Filters should be replaced every 6–12 months. The app will send a reminder when the filter's lifespan reaches 10% or less.

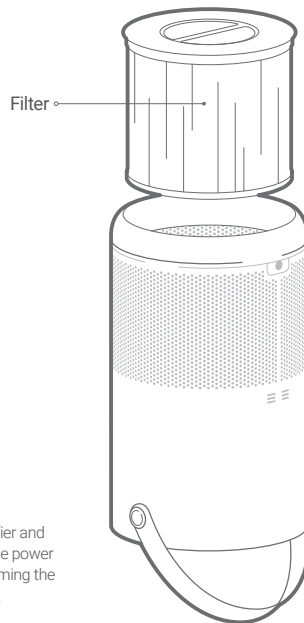
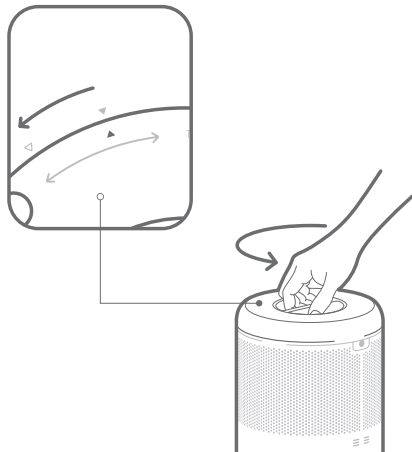


Once filter life drops below 10%, the power button will blink every time you turn on the machine. Please replace the filter as soon as possible to ensure normal operation and optimal air purification.

Note: Since it contains activated carbon, when saturated, the filter will retain the odor of the harmful gases it has absorbed. Leaving a used filter in a place with adequate light and ventilation will allow the activated carbon to recover, partially restoring the filter's absorption capability. Timely replacement of the filter once the recommended filter life is over is advised.

## Replacing and Resetting the Filter

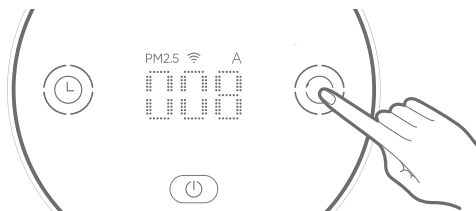
- 1 Turn over the purifier and remove the filter by rotating it counterclockwise.
- 2 Replace the filter by following the instructions contained in the user manual.



Note: Power off purifier and disconnect it from the power supply before performing the following operations.

## Resetting the Filter

After replacing the filter and turning on the purifier, hold down "○" for 5 seconds. When you hear a sound, it indicates the purifier has restarted the filter replacement count.



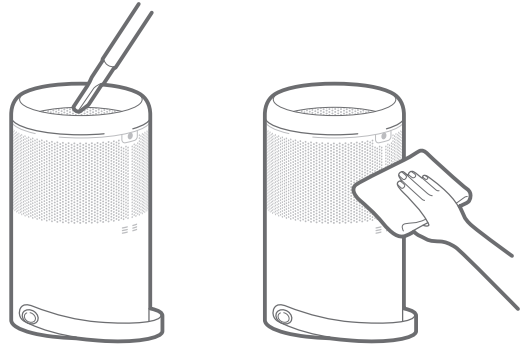
# Maintenance and Care

▲ Power off purifier and disconnect it from the power supply before performing the following operations.

## Cleaning the Filter Housing

- 1 Turn over the purifier and remove the filter by rotating it counterclockwise.
- 2 Use a vacuum cleaner to remove dust from the ventilation hole and cabin walls, or wipe them using a soft cloth.
- 3 Re-install the filter after it has been cleaned.

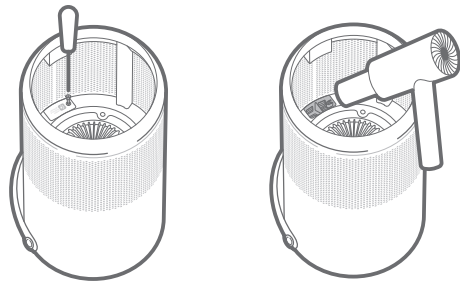
Note: Do not spray liquid onto the purifier's casing, or wipe it using a wet cloth. This could lead to drops of water leaking into the base of the device.



## Cleaning Laser Particulate Matter Sensor

- 1 Turn over the purifier and remove the filter by rotating it counterclockwise.
- 2 Use a screwdriver to loosen the screws on the sensor cover.
- 3 Remove the cover and clean it with a hair dryer or pneumatic air gun.
- 4 Once cleaning is finished, fix the cover back onto the sensor and tighten the screws.

Note: Do NOT clean with hot air.





# Specifications

Name	Smartmi Air Purifier P1	Rated Voltage	24V <sup>≡</sup>
Model	ZMKQJHQP11 / ZMKQJHQP12	Rated Power	30W
Item Dimensions	φ220 × 362.5 mm	Power Supply Unit Input	100-240V~ 50/60Hz 1.0A
Net Weight	Approx. 3 kg	Clean Air Delivery Rate (CADR Particles)	250 m³/h
Recommended Surface	17.5–30 m² *	Pollen CADR	150cfm **
Dust CADR	130cfm **	Smoke CADR	120cfm **
Wireless Connectivity	Wi-Fi IEEE 802.11 b/g/n 2.4GHz		

\*Standards: Q/BJZMK0001-2018

\*\*ANSI/AHAM AC-1-2019



Contains FCC ID : 2ANDL-TYWE3SE

This device complies with part 15 of the FCC Rules.

Operation is subject to the following two conditions:

- (1) This device may not cause harmful interference, and
- (2) This device must accept any interference received, including interference that may cause undesired operation.

Caution: Changes or modifications to this unit not expressly approved by the party responsible for compliance could void the user's authority to operate the equipment.

NOTE: This equipment has been tested and found to comply with the limits for a Class B digital device, pursuant to part 15 of the FCC Rules. These limits are designed to provide reasonable protection against harmful interference in a residential installation. This equipment generates, uses and can radiate radio frequency energy and, if not installed and used in accordance with the instructions, may cause harmful interference to radio communications. However, there is no guarantee that interference will not occur in a particular installation. If this equipment does cause harmful interference to radio or television reception, which can be determined by turning the equipment off and on, the user is encouraged to try to correct the interference by one or more of the following measures:

- Reorient or relocate the receiving antenna.
- Increase the separation between the equipment and receiver.
- Connect the equipment into an outlet on a circuit different from that to which the receiver is connected.
- Consult the dealer or an experienced radio/TV technician for help.

Limited by local law regulations, version for North America does not have region selection option.

To satisfy FCC RF exposure requirements, a separation distance of 20 cm or more should be maintained between the antenna of this device and persons during device operation.

To ensure compliance, operations at closer than this distance is not recommended.