

Once product is used, returns are not accepted.

Keep instructions for future use.

Read all instructions before playing on or setting up this unit.

Ready to Play?

First, read all of the instructions before setting up or using your Smol Splash.

WARNING! Do not set up the Smol Splash on a hard surface, such as asphalt or concrete, as falls may cause serious injury.

WARNING! DROWNING HAZARD. Never leave a child unattended in the Smol Splash.

CAUTION! Do not use outdoors in rainy, windy or other extreme weather conditions. Gusts of wind can lift the Smol Splash off the ground.

Do not set up the Smol Splash on uneven ground. Set up at least 2 meters away from objects, including fences, buildings, trees, furniture, and bodies of water.

Do not set up the Smol Splash next to or on water.

Do not set up the Smol Splash near potential fire hazard areas.

WARNING
Electrocution risk. Keep all electrical lines, radios, speakers and other electrical devices away from the constant air inflatable. Do not place the constant air inflatable near or under overhead electrical lines. Use only on GFCI protected receptacles. Use standard grounding standards to prevent electric shock. Adult operation only. Keep children away from the blower at all times.

What's in the box?

- 1 Inflatable Smol Splash
- 1 Blower
- 8 Stakes
- 1 Mallet
- 1 Storage Bag
- 1 Repair Kit
- 1 Smol Splash Pipe Fittings

DANGER
To prevent electric shock, do not immerse in water. Unplug the unit and wipe down with a damp cloth.

CAUTION
Electrically operated product
To reduce the risk of fire or electric shock, do not use this blower with any solid states or speed controlled devices.

Operating Requirements

- Setup Rules**
1. Adult supervision is required at all times, including during setup and takedown.
 2. Ensure proper setup prior to use. Adult setup only.
 3. Product should be fully inflated and anchored with stakes before use.
 4. Keep pets away from the Smol Splash.
 5. Check the Smol Splash periodically for any damage or potential hazards.
 6. When moving the Smol Splash, do not drag across any surface.
 7. Do not install the Smol Splash over concrete, asphalt, packed earth, carpet, or any other hard surface. A fall onto a hard surface can result in serious injury to the user.
 8. Place on dry and level ground, at least 6'6" (2 meters) away from any other objects. Objects to be avoided include, but are not limited to: fences, buildings, trees, branches, walls, furniture, sources of water, ceilings.
 9. Set up as close to the power source as possible while keeping the proper distance from buildings. Keep the blower and power cord away from water, children, and traffic. Electrical cord should not be passed under the Smol Splash and interfere with its operation. Do not use an extension cord.
 10. The Smol Splash is heavy. Use caution when lifting.
 11. Do not use indoors.
 12. Intended for domestic family use only. Not for use in public areas or as a rental.
- Inflation Rules**
- WARNING:** Electrocution Hazard! To avoid circuit overload, do not use extension cord while operating the blower.
- WARNING!** To reduce the risk of fire or electric shock, do not use the blower with any solid-state speed control device. Unplug or disconnect the blower from the power supply while it is powered off.
- As with all electrical products, operating and moving electrical equipment requires a more detailed set of instructions. Strictly observe all the rules and instructions to avoid electric shock and severe injury.
1. Keep blower away from water.
 2. Keep blower away from fire.
 3. Do not immerse the blower in water or wipe with a damp cloth.
 4. Do not run cord under carpeting, furniture, or appliances. Keep cord away from walking areas where it can be tripped over.
 5. Keep all electrical lines, radios, speakers, and other electrical appliances away from the inflatable bouncer.
 6. Do not set up the bouncer near or under electrical wires.
 7. Do not disconnect the blower during use.
 8. Do not use in poor weather conditions, including rain and wind.
 9. Check the general condition of the device and power sources before using. Do not operate with a damaged cord or plug. If you notice a defect, do not use it under any circumstances. Discard blower or return to an authorized service facility for examination and repair.

- Staking Rules**
1. Stakes should be used on grassy surfaces to create stability.
 2. Make sure the ground is hard and dry so stakes stay in place. Soft and wet soil may weaken the Smol Splash's stability.
 3. Make sure to use all of the provided stakes and firmly push them into the ground.
 4. Remove any objects that may affect stake installation.
 5. Stakes should be placed straight (vertically) into the ground (not at an angle) and driven below ground level to prevent tripping.

Play Rules

1. Adults supervision is required at all times, including during use.
2. To avoid injury, ensure the maximum occupancy is observed and controlled. Only 4 children may play on the Smol Splash at a time.
3. Keep pets away from the Smol Splash.
4. Go down the slide feet first only. No more than 2 riders at a time. No climbing up the slide the wrong way. No jumping onto the slide area.
5. Toys and other objects should never be allowed inside the unit.
6. Bounce away from others and sides, especially the opening.
7. Do not climb or hang from the containing walls.
8. Do not jump onto or off of the product, including sides and support.
9. Do not attach items, including leashes, jump ropes, clothes lines, cables, wires, or chains, to the inflatable as they may cause serious suffocation accidents.
10. Make sure the entrance and exit are not blocked by any objects.
11. Avoid shoes, head gear, loose clothing, or dangerous objects, such as bike helmets, scarves or capes, and jewelry.
12. Avoid having older children and younger children playing on the Smol Splash at the same time.
13. Avoid rough play, including chasing or wrestling.
14. When climbing platforms, always climb in an upright position, placing feet in foot holes, and placing hands on support handles.
15. Eating and drinking while playing on the Smol Splash is strictly prohibited.

Care Instructions

Thoroughly dry unit before rolling up and storing. Store in a cool, dry area away from direct sunlight.

Note: Air leakage from product is normal to prevent from overinflating while under constant airflow. Do not try to seal or repair seams. For fabric tears, use the included patch kit.

Adult setup only.
Never leave children unattended.

WARNING
Follow Anchoring Instructions. User must read and follow anchoring instructions to ensure the proper number of anchors used, soil conditions, and stake installation.

Smol Splash Setup

Read the Smol Splash and blower warning labels before setup and use.
ADULT SET UP ONLY

Install & Inflate

1. Find a dry, flat, firm, grassy area that's free from hard objects and debris. Lay down a tarp or mat to protect the bottom of the inflatable.
2. Unfold the main inflatable structure and place it on the ground about 6'6" (2 meters) away from any object on all sides. Note: Opt for more room between the structure and other objects as the inflatable will take up more space when it's fully inflated.
3. Put the blower in a dry place away from water sources while in use. Stretch the inflation tube and attach it to the nozzle of the blower. Keep the inflation tube smooth and untwisted. Plug the blower into an electrical outlet and turn on the blower. It will take one minute to inflate the Smol Splash. Keep the blower on to maintain inflation while the Smol Splash is in use. Airflow through seams is normal.
4. Secure all the straps using the included mallet and stakes to prevent the structure from moving or lifting off of the ground. Make sure stakes are driven all the way into the ground vertically (not at an angle) to prevent tripping. Use all the stakes provided.
5. Place an impact-absorbing cushion, such as a foam pad, at the entrance and exit as well as at the bottom of the slide to prevent accidental falls.
6. Once fully inflated, ensure the Smol Splash is still 6'6" ft (2 meters) away from any objects on each side before anchoring to the ground.

Connect Water

Note: Skip these steps if you're using the Smol Splash without water.

- Water Connections Parts**
- Sprinkler head 1
 - Sprinkler head 2
 - Sprinkler head 3
 - Water hose joint
 - Hose clamp

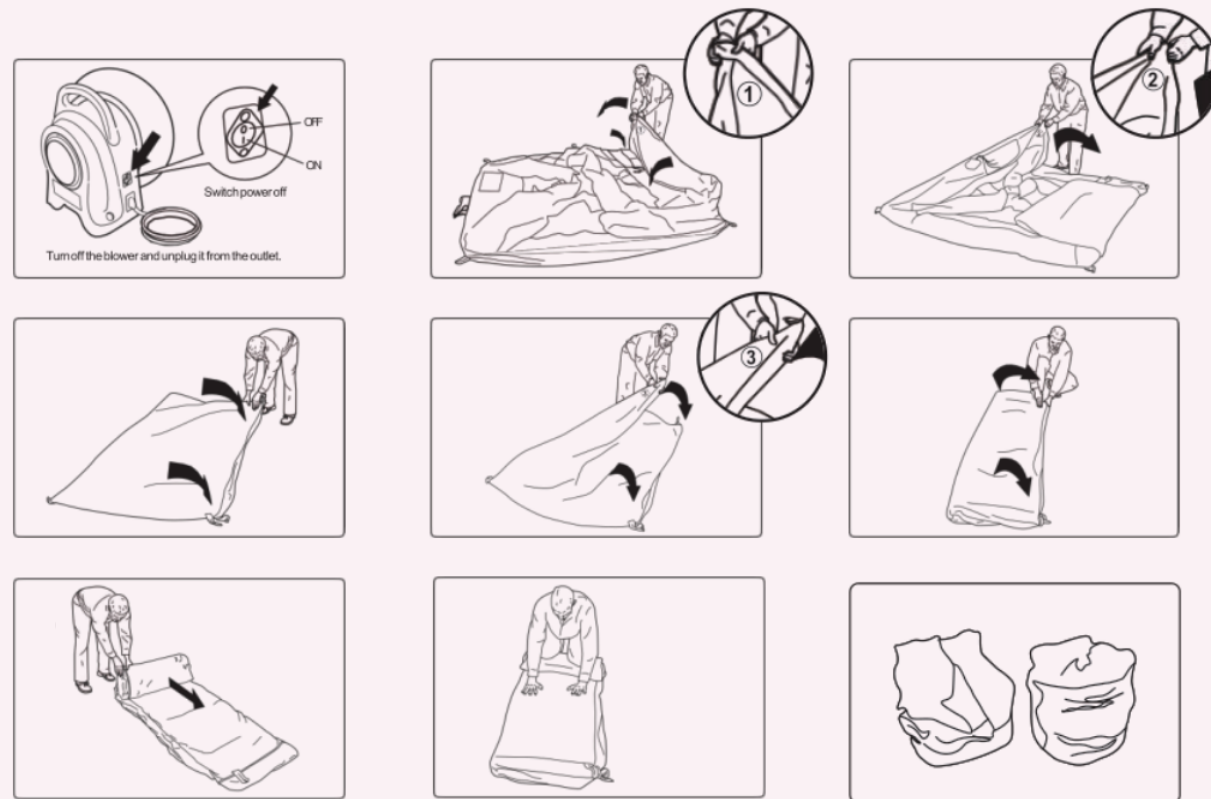
KEEP THE HOSE CLAMP AWAY FROM CHILDREN. IT IS NOT A TOY!

1. Install the water hose connector by fixing it to the structure with the attached Velcro.
2. Fasten the hose connector to the end of a standard garden hose by inserting the connector into the garden hose.
3. Place the hose clamp on top of the garden hose and clamp down by rotating the ring-shaped device in a clockwise motion until it's locked in place.
4. Make sure the connected parts are unable to rotate and the garden hose completely covers the connector to avoid leaking.
5. Turn the garden hose on, make sure there are no pressure build ups or leaks, and enjoy splashing in the sun!

Deflate & Store

ADULT TAKEDOWN ONLY

1. Make sure the Smol Splash is unoccupied, turn the blower off, and unplug the electrical cord. The structure will collapse quickly.
2. Detach the inflation tube from the blower and leave it on the side of the bouncer.
3. Allow the Smol Splash to dry completely before rolling up and storing. Dry the structure at an angle so water can roll off.
4. Fold the structure and inflation tube into a long, thin rectangle. (See diagram below)
5. Once the Smol Splash is deflated completely, remove the stakes.
6. Place the Smol Splash in the provided storage bag and keep in a cool, dry place away from direct sunlight.



Repair & Maintenance

WARNING: Repair patches must be applied by an adult only. Keep out of reach of children. Repair patch is not a toy. Airflow through seams is normal. Do not try to repair seams.

Repair Patch Instructions

1. Deflate the Smol Splash, clean the area, and allow it to dry thoroughly.
2. Cut a portion of the patch to the size needed and round the corners into a circle or square with four rounded corners.
3. Position the patch over the damaged area and remove any bubbles. Hand sew the outer edge of the patch using the small needle and thread.

Smol Splash Maintenance

1. Store in a cool, dry place in the provided bag, away from direct sunlight or extreme weather.
2. Check product periodically for any damage or potential hazards, including but not limited to: damaged cord, plug, housing, parts, and worn or deteriorated fabric. In the event such damage is found, the product should not be used until properly repaired.
3. Cleaning: Use a dry or damp cloth with a non-flammable, non-toxic cleaner or water. Do not use chlorine-based or bleach-based cleaners to avoid deteriorating the surface.
4. Allow product to fully dry before rolling up and storing.
5. Store blower with cord loosely coiled.



Blower Maintenance

- Check product periodically for any damage or potential hazards.
- To clean, make sure the unit is unplugged and wipe with a damp cloth, but never immerse in water.
- When not in use, store the blower inside, unplugged, on a flat stable surface.
- Store cord loosely coiled next to the blower.
- Do not operate the blower with a damaged cord or plug.
- Do not cover the cord and be aware of tripping hazards.

Blower Information

- Do not attempt to service the blower.
- Keep away from water, traffic, fire hazards, or debris including but not limited to leaves and dirt.
- Do not use an extension cord.
- Do not drop or hit the blower, this may result in malfunction.

DROWNING HAZARD! NEVER LEAVE A CHILD UNATTENDED.

WARNING: Read all instructions before assembling this unit.
WARNING: Failure to follow these instructions can result in serious injury or death.
WARNING: Falls onto hard surfaces can result in head or other serious injuries.
WARNING: Electrocutation risks. Keep all electrical lines, radios, speakers, and other electrical devices away from the Smol Splash. Do not place the Smol Splash near or under overhead electrical lines. Use only GFCI protected receptacles. Use standard grounding standards to prevent electric shock. Keep blower away from water.
WARNING: Electrically operated product. Blower must be operated by adults only. As with all electronic products, precautions should be observed during handling to prevent electric shock. Do not use an extension cord with this product.

FCC Statement

NOTE: This equipment has been tested and found to comply with the limits for a Class B digital device, pursuant to part 15 of the FCC Rules. These limits are designed to provide reasonable protection against harmful interference in a residential installation. This equipment generates, uses and can radiate radio frequency energy and, if not installed and used in accordance with the instructions, may cause harmful interference to radio communications. However, there is no guarantee that interference will not occur in a particular installation. If this equipment does cause harmful interference to radio or television reception, which can be determined by turning the equipment off and on, the user is encouraged to try to correct the interference by one or more of the following measures:

Reorient or relocate the receiving antenna.
 Increase the separation between the equipment and receiver.
 Connect the equipment into an outlet on a circuit different from that to which the receiver is connected.
 Consult the dealer or an experienced radio/TV technician for help.

This device complies with part 15 of the FCC Rules. Operation is subject to the following two conditions:

(1) This device may not cause harmful interference, and (2) this device must accept any interference received, including interference that may cause undesired operation.

Once the Smol Splash is used, returns are not accepted.

Keep instructions for future use.

Play by the Rules

5 Maximum number of children	300 lbs Total weight limit	60 lbs Individual weight limits	6' Individual height range	3-8 Age limit
No wrestling, rough play, tumbling or flipping	No head first sliding	No shoes, loose clothing, glasses, jewelry, or other sharp objects	No hands or feet on walls	Adult supervision required at all times; do not leave children unattended
Do not use or leave out in rain, wind or extreme weather	Do not allow children to touch blower or electrical cord; long cords and wires present a risk of strangulation accidents	Prevent choking: do not eat or drink in play area	This product must be effectively anchored to the ground using the provided stakes	Have a blast!

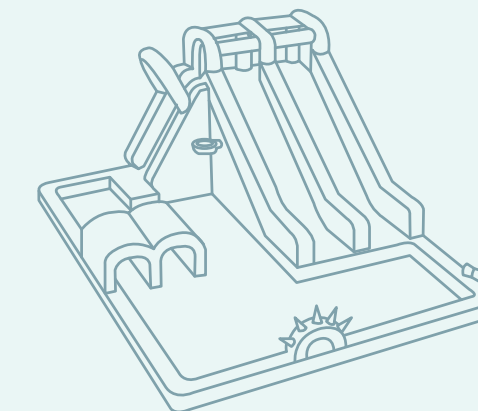
Questions about your Smol product?

Email us at
hello@playsmol.com



User Manual

Smol Splash



Warning

- DROWNING HAZARD! NEVER LEAVE A CHILD UNATTENDED.
- Failure to follow these instructions could result in serious injury or death.
- Read all instructions before assembling and using this unit.
- Adult setup only.

Caution

- Electrically operated product. Not recommended for children under 3 years of age.
- Blower must be operated by adults only.
- As with all electronic products, precautions should be observed during handling to prevent electrical shock.
- Do not use this product with an extension cord.
- Electrical rating: AC110-120V, 60HZ, 6.3A

WARNING

Follow Anchoring Instructions. User must read and follow anchoring instructions to ensure the proper number of anchors used, soil conditions, and stake installation.

A big welcome to the world of

