



TRADE PACKAGES

Pre-engineered packages for a broad range of trades.



CHOICE

A range of steel and aluminum packages are available for each vehicle.



TRADE SPECIFIC

Packages are created with the specific trades in mind. Optimized for maximum productivity.



PERFECT FIT

Engineered to optimize space. Layout designed to ensure that all tools are well within reach.

TRADE PACKAGES

BOX TRUCK, STEP VAN & TRAILER P. 56

CHEVROLET

EXPRESS P. 63

FORD

TRANSIT P. 70

TRANSIT CONNECT P. 84

GMC

SAVANA P. 91

MERCEDES-BENZ

METRIS P. 98

SPRINTER P. 105

NISSAN

NV P. 116

NV200 P. 123

RAM

PROMASTER P. 130

PROMASTER CITY P. 137

Get more out of your work van: Ranger Design packages are designed specifically with your trade in mind. Our aim is to ensure that your most frequently used tools and equipment are well within reach.

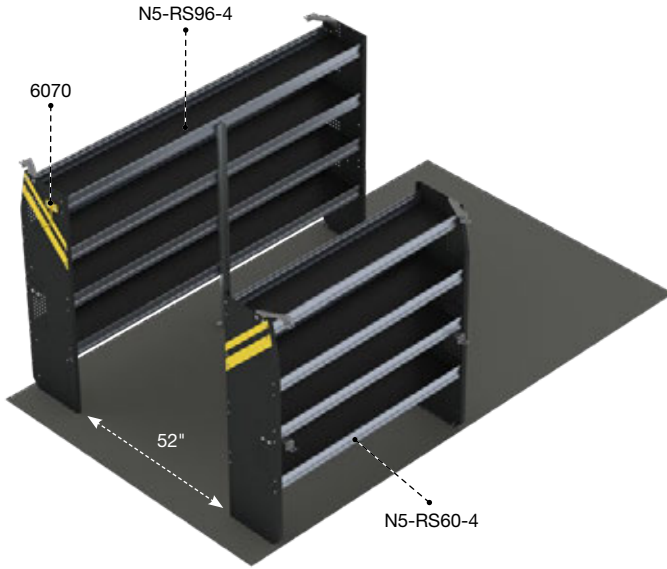
Do you see a way that we can improve our packages? We appreciate your feedback! Contact our customer service team at **1-800-565-5321**.



BOX TRUCK STEP VAN & TRAILER



PACKAGES

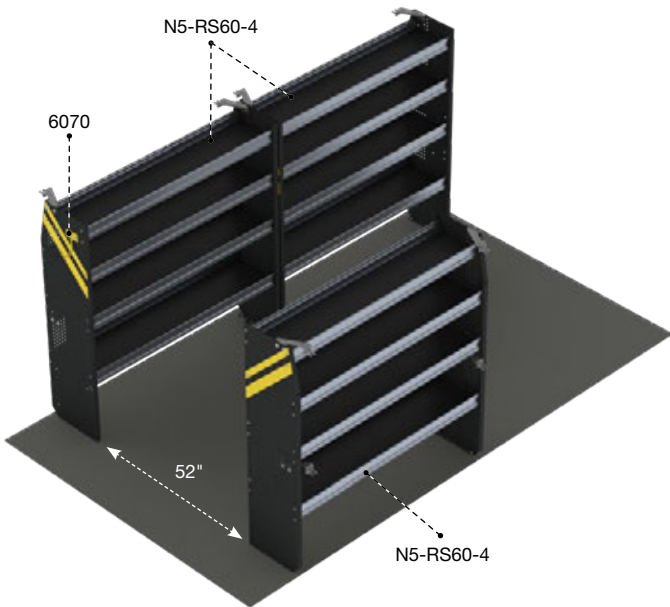


BTS-10 CONTRACTOR

Steel	Short 10+	High Roof
211 lbs	2.8 hrs	Yes

Qty	Part	Description
1	6070	6" Hook, 3" opening, painted
1	N5-RS60-4	Steel shelving unit for high roof van, 14" D x 60" W x 62" H
1	N5-RS96-4	Steel shelving unit for high roof van, 14" D x 96" W x 62" H

Aisle space calculated for this package is based on an 84" wide box.



BTL-10 CONTRACTOR

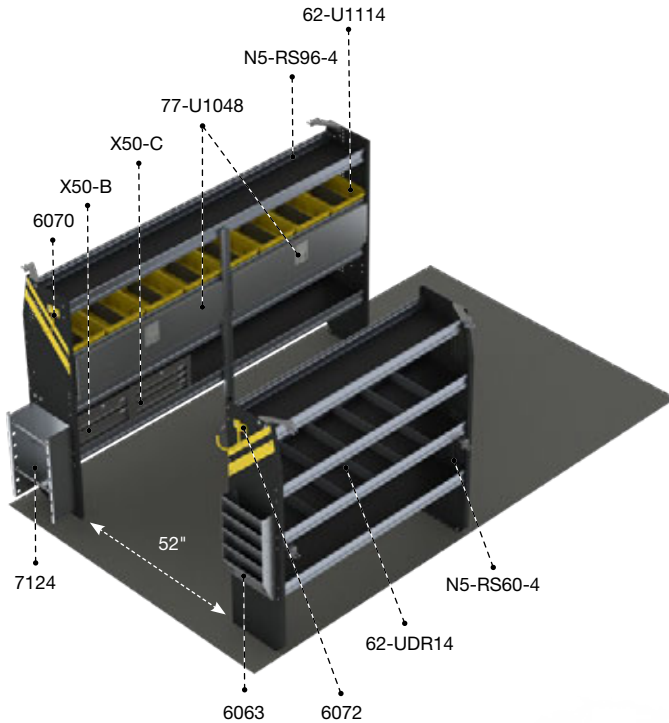
Steel	Long 14+	High Roof
266 lbs	3.8 hrs	Yes

Qty	Part	Description
1	6070	6" Hook, 3" opening, painted
3	N5-RS60-4	Steel shelving unit for high roof van, 14" D x 60" W x 62" H

Aisle space calculated for this package is based on an 84" wide box.



BOX TRUCK STEP VAN & TRAILER



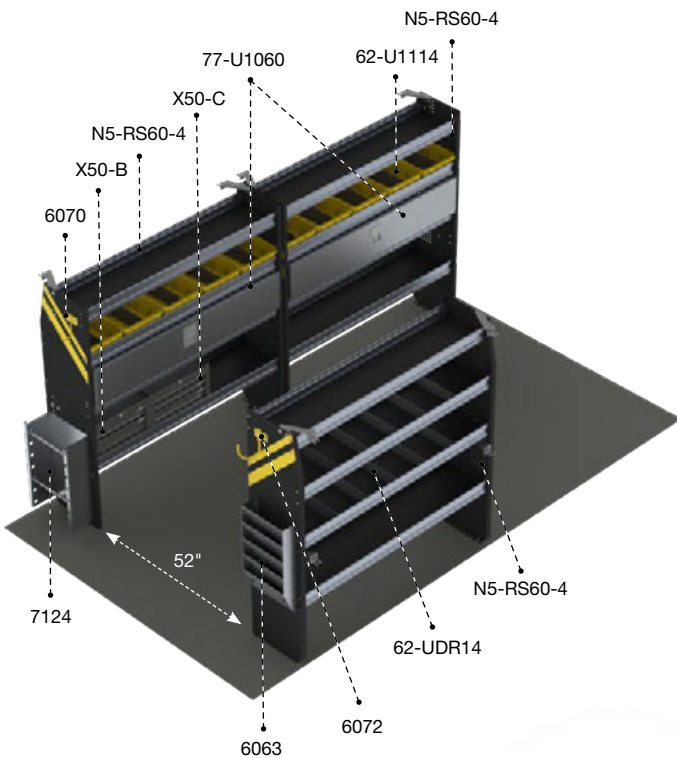
BTS-11
ELECTRICAL

	Steel		Short 10+		High Roof
	324 lbs		5.3 hrs		Yes

Qty	Part	Description
1	6063	Paper holder, extra deep, 5 slots
1	6070	6" Hook, 3" opening, painted
1	6072	8" Swivel hook, 4" opening, painted
8	62-U1114	14" Deep plastic bin
2	62-UDR14	Set of 5 dividers for a 14" shelf
1	7124	Reel holder with two 5/8" diameter rods
2	77-U1048	Adjustable shelving door unit - 45" W - for 48" & 96" shelves
1	N5-RS60-4	Steel shelving unit for high roof van, 14" D x 60" W x 62" H
1	N5-RS96-4	Steel shelving unit for high roof van, 14" D x 96" W x 62" H
1	X50-B	Compact 2-drawer unit
1	X50-C	Compact 3-drawer unit

Aisle space calculated for this package is based on an 84" wide box.

PACKAGES



BTL-11
ELECTRICAL

	Steel		Long 14+		High Roof
	386 lbs		6.3 hrs		Yes

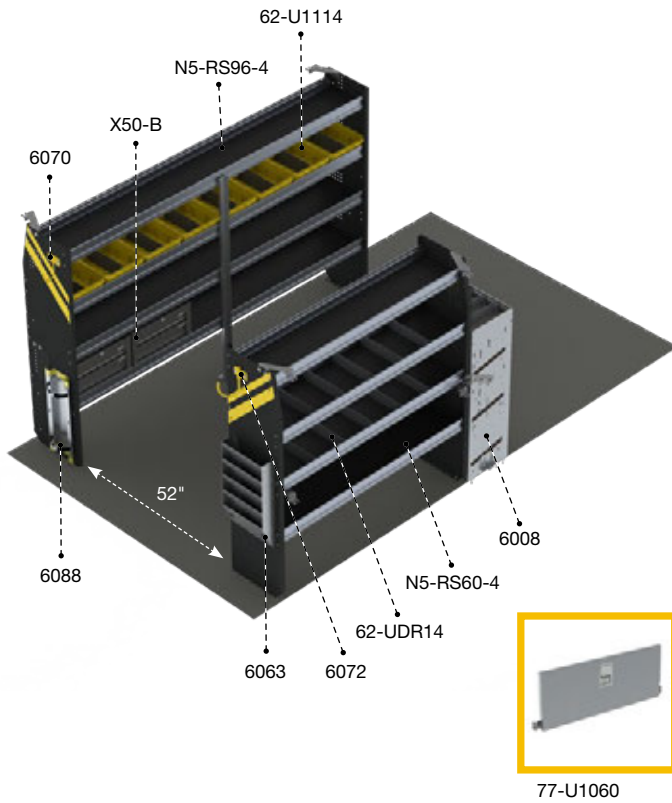
Qty	Part	Description
1	6063	Paper holder, extra deep, 5 slots
1	6070	6" Hook, 3" opening, painted
1	6072	8" Swivel hook, 4" opening, painted
10	62-U1114	14" Deep plastic bin
2	62-UDR14	Set of 5 dividers for a 14" shelf
1	7124	Reel holder with two 5/8" diameter rods
2	77-U1060	Adjustable shelving door unit - 57" W - for 60" shelves
3	N5-RS60-4	Steel shelving unit for high roof van, 14" D x 60" W x 62" H
1	X50-B	Compact 2-drawer unit
1	X50-C	Compact 3-drawer unit

Aisle space calculated for this package is based on an 84" wide box.



BOX TRUCK STEP VAN & TRAILER

PACKAGES



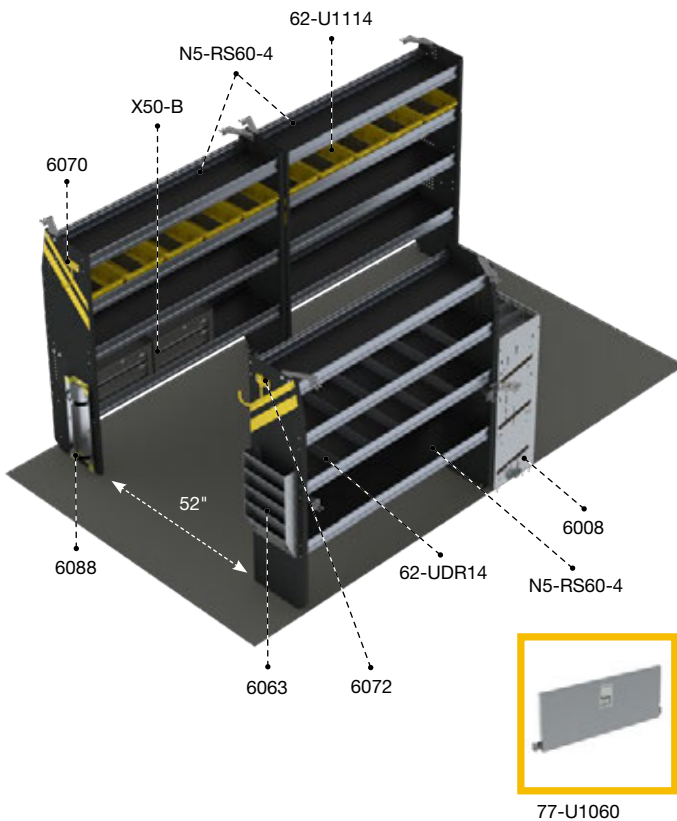
BTS-12 HVAC

	Steel		Short 10+		High Roof
	334 lbs		5.1 hrs		Yes

Qty	Part	Description
1	6008	3 Tier refrigerant rack for large bottles
1	6063	Paper holder, extra deep, 5 slots
1	6070	6" Hook, 3" opening, painted
1	6072	8" Swivel hook, 4" opening, painted
1	6088	Large aluminum bottle holder, with two black nylon straps
8	62-U1114	14" Deep plastic bin
2	62-UDR14	Set of 5 dividers for a 14" shelf
1	77-U1060	Adjustable shelving door unit - 57" W - for 60" shelves
1	N5-RS60-4	Steel shelving unit for high roof van, 14" D x 60" W x 62" H
1	N5-RS96-4	Steel shelving unit for high roof van, 14" D x 96" W x 62" H
2	X50-B	Compact 2-drawer unit

Aisle space calculated for this package is based on an 84" wide box.

Packages BTS-12 and BTL-12 are designed for boxes with side access. For boxes with no side access, it is recommended to reposition the 6008 bottle rack.



BTL-12 HVAC

	Steel		Long 14+		High Roof
	393 lbs		6.1 hrs		Yes

Qty	Part	Description
1	6008	3 Tier refrigerant rack for large bottles
1	6063	Paper holder, extra deep, 5 slots
1	6070	6" Hook, 3" opening, painted
1	6072	8" Swivel hook, 4" opening, painted
1	6088	Large aluminum bottle holder, with two black nylon straps
10	62-U1114	14" Deep plastic bin
2	62-UDR14	Set of 5 dividers for a 14" shelf
1	77-U1060	Adjustable shelving door unit - 57" W - for 60" shelves
3	N5-RS60-4	Steel shelving unit for high roof van, 14" D x 60" W x 62" H
2	X50-B	Compact 2-drawer unit

Aisle space calculated for this package is based on an 84" wide box.



HVAC BTL-12

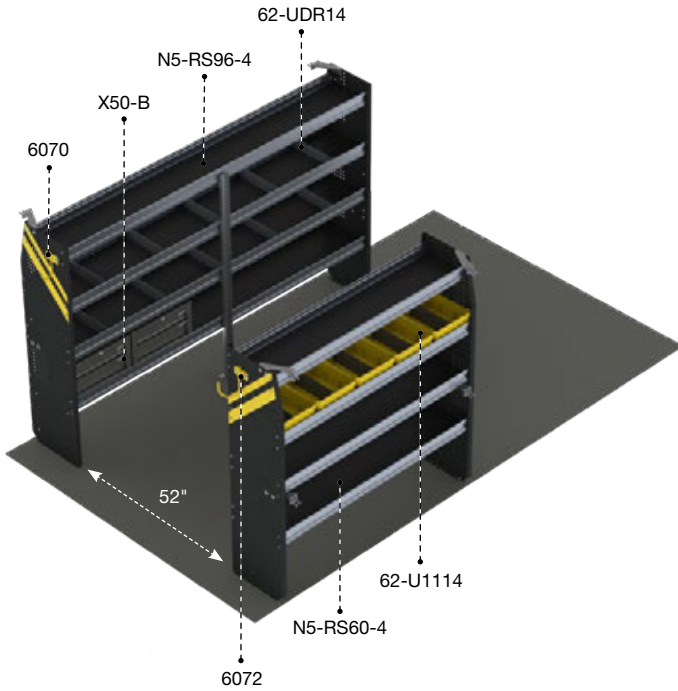
BOX TRUCK STEP VAN & TRAILER





BOX TRUCK STEP VAN & TRAILER

PACKAGES

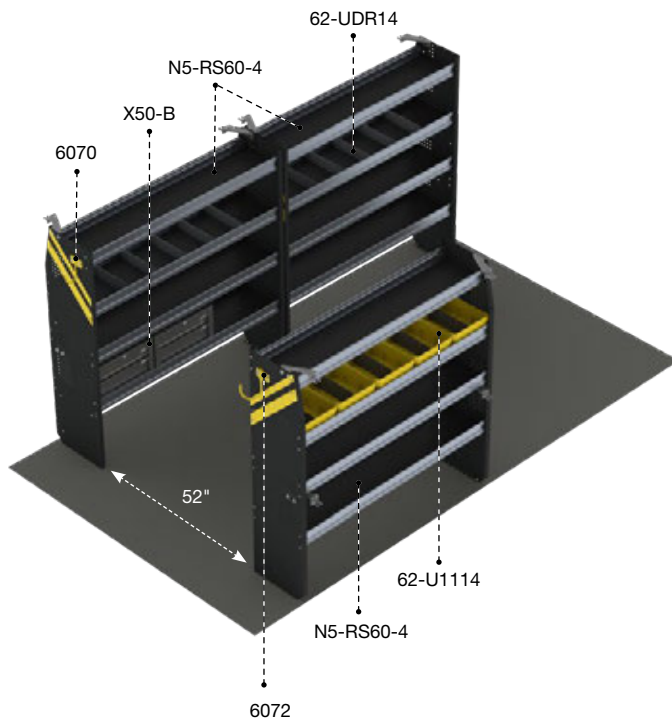


BTS-16 SERVICE

Steel	Short 10+	High Roof
281 lbs	3.6 hrs	Yes

Qty	Part	Description
1	6070	6" Hook, 3" opening, painted
1	6072	8" Swivel hook, 4" opening, painted
5	62-U1114	14" Deep plastic bin
2	62-UDR14	Set of 5 dividers for a 14" shelf
1	N5-RS60-4	Steel shelving unit for high roof van, 14" D x 60" W x 62" H
1	N5-RS96-4	Steel shelving unit for high roof van, 14" D x 96" W x 62" H
2	X50-B	Compact 2-drawer unit

Aisle space calculated for this package is based on an 84" wide box.



BTL-16 SERVICE

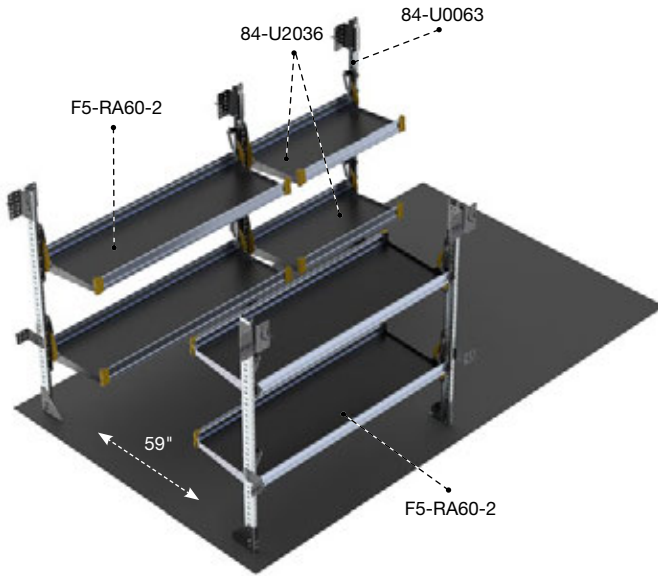
Steel	Long 14+	High Roof
336 lbs	4.6 hrs	Yes

Qty	Part	Description
1	6070	6" Hook, 3" opening, painted
1	6072	8" Swivel hook, 4" opening, painted
5	62-U1114	14" Deep plastic bin
2	62-UDR14	Set of 5 dividers for a 14" shelf
3	N5-RS60-4	Steel shelving unit for high roof van, 14" D x 60" W x 62" H
2	X50-B	Compact 2-drawer unit

Aisle space calculated for this package is based on an 84" wide box.



BOX TRUCK STEP VAN & TRAILER



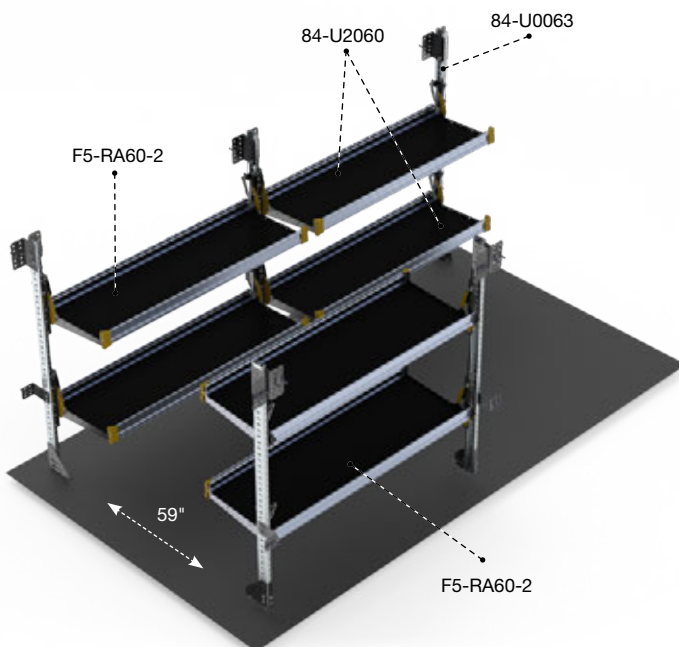
BTS-19
DELIVERY

Aluminum	Short 10+	High Roof
212 lbs	4.3 hrs	Yes

Qty	Part	Description
1	84-U0063	Post assembly for fold-away shelving 63"
2	84-U2036	Fold-away shelf tray, 20" D x 36" W
2	F5-RA60-2	Fold-away unit, 2 levels, 25" D x 60" W x 63" H

Aisle space calculated for this package is based on an 84" wide box.

PACKAGES



BTL-19
DELIVERY

Aluminum	Long 14+	High Roof
226 lbs	4.3 hrs	Yes

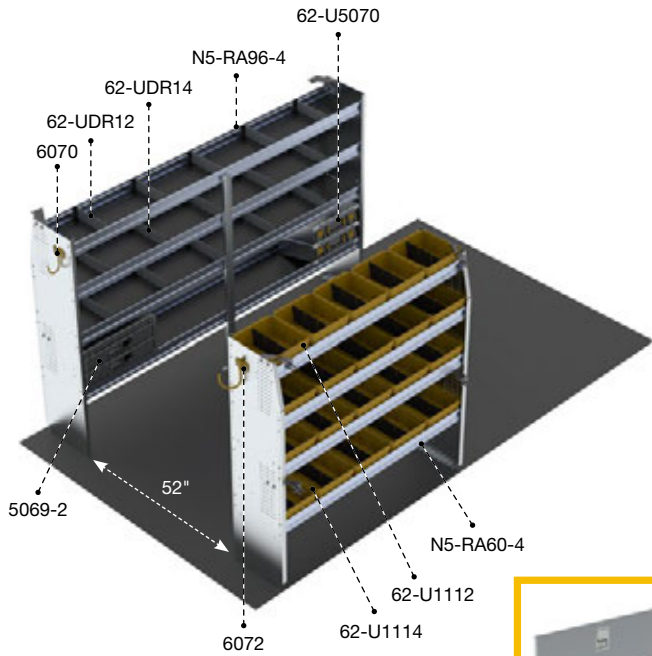
Qty	Part	Description
1	84-U0063	Post assembly for fold-away shelving 63"
2	84-U2060	Fold-away shelf tray, 60" W x 20" D
2	F5-RA60-2	Fold-away unit, 2 levels, 25" D x 60" W x 63" H

Aisle space calculated for this package is based on an 84" wide box.

BOX TRUCK STEP VAN & TRAILER



PACKAGES



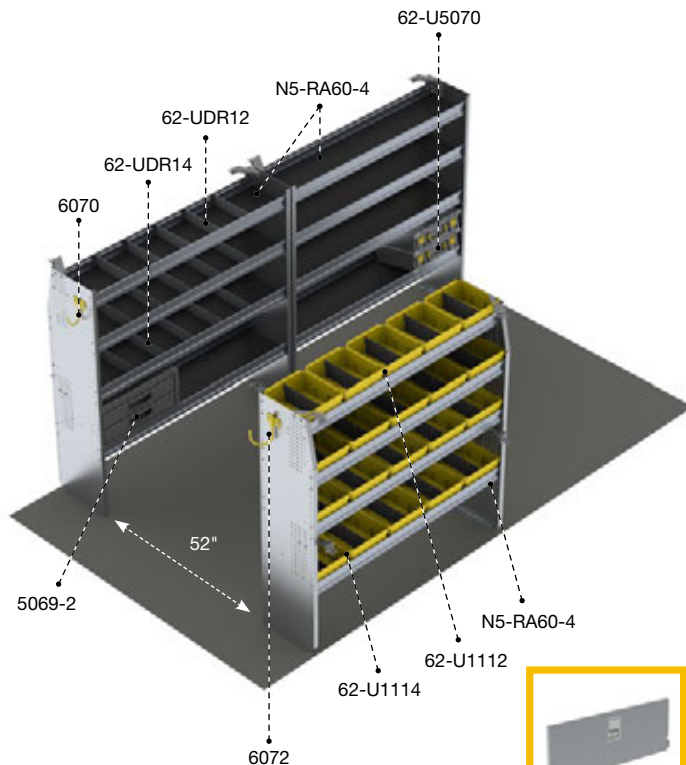
77-U1060

BTS-27 ALUMINUM

Aluminum	Short 10+	High Roof
293 lbs	4.6 hrs	Yes

Qty	Part	Description
1	5069-2	2 Drawer cabinet
2	62-U5070	Partskeeper carry case with holder
1	6070	6" Hook, 3" opening, painted
1	6072	8" Swivel hook, 4" opening, painted
5	62-U1112	12" Deep plastic bin
15	62-U1114	14" Deep plastic bin
1	62-UDR12	Set of 5 dividers for a 12" shelf
2	62-UDR14	Set of 5 dividers for a 14" shelf
1	77-U1060	Adjustable shelving door unit - 57" W - for 60" shelves
1	N5-RA60-4	Aluminum shelving unit high roof van, 60", 14"D x 60" W x 62"H
1	N5-RA96-4	Aluminum shelving unit high roof van, 96", 14"D x 96" W x 62"H

Aisle space calculated for this package is based on an 84" wide box.



77-U1060

BTL-27 ALUMINUM

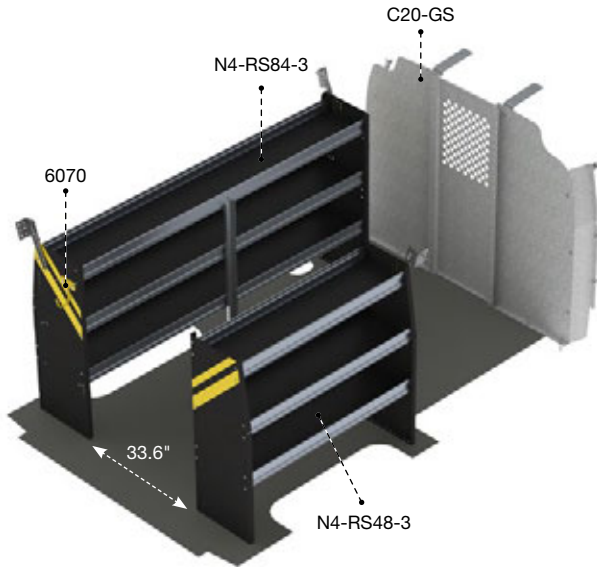
Aluminum	Long 14+	High Roof
400 lbs	6.8 hrs	Yes

Qty	Part	Description
1	5069-2	2 Drawer cabinet
2	62-U5070	Partskeeper carry case with holder
1	6070	6" Hook, 3" opening, painted
1	6072	8" Swivel hook, 4" opening, painted
5	62-U1112	12" Deep plastic bin
15	62-U1114	14" Deep plastic bin
1	62-UDR12	Set of 5 dividers for a 12" shelf
2	62-UDR14	Set of 5 dividers for a 14" shelf
1	77-U1060	Adjustable shelving door unit - 57" W - for 60" shelves
3	N5-RA60-4	Aluminum shelving unit high roof van, 60", 14"D x 60" W x 62"H

Aisle space calculated for this package is based on an 84" wide box.



CHEVROLET EXPRESS

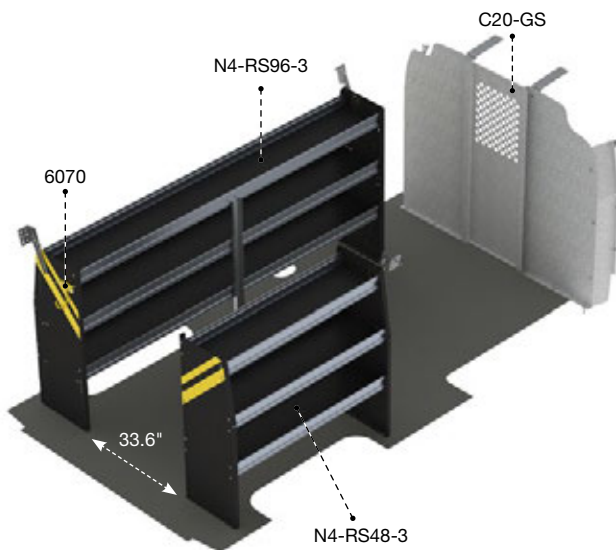


GSR-10 CONTRACTOR

Steel	135"	Standard
203 lbs	3.8 hrs	Yes

Qty	Part	Description
1	6070	6" Hook, 3" opening, painted
1	C20-GS	Straight steel partition with perforated window, no access
1	N4-RS48-3	Steel shelving unit for low roof van 14" D x 48" W x 44.5" H
1	N4-RS84-3	Steel shelving unit for low roof van 14" D x 84" W x 44.5" H

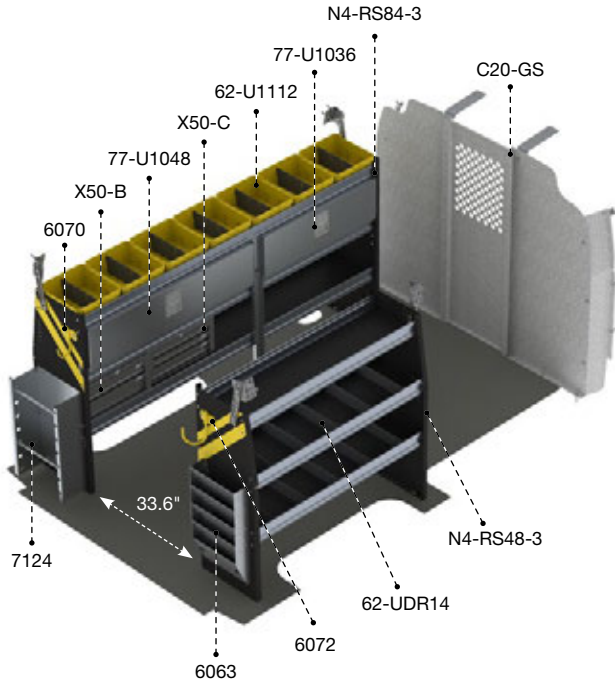
PACKAGES



GSL-10 CONTRACTOR

Steel	155"	Standard
211 lbs	3.8 hrs	Yes

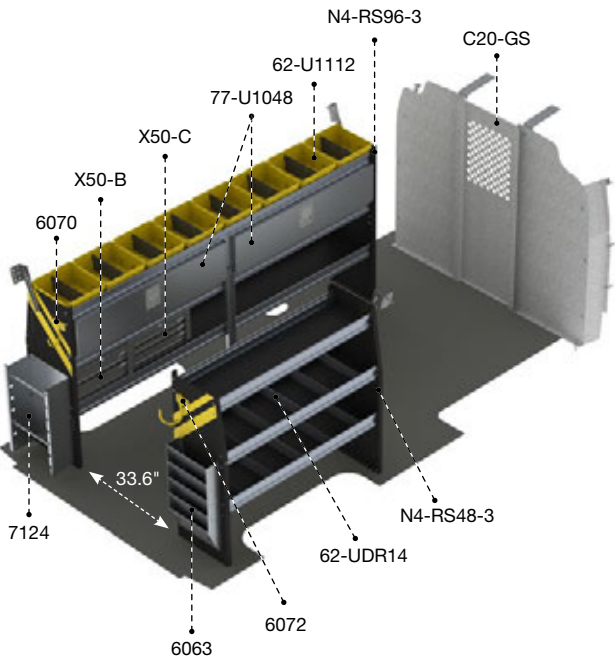
Qty	Part	Description
1	6070	6" Hook, 3" opening, painted
1	C20-GS	Straight steel partition with perforated window, no access
1	N4-RS48-3	Steel shelving unit for low roof van 14" D x 48" W x 44.5" H
1	N4-RS96-3	Steel shelving unit for low roof van 14" D x 96" W x 44.5" H



GSR-11 ELECTRICAL

	Steel		135"		Standard
	311 lbs		6.3 hrs		Yes

Qty	Part	Description
1	6063	Paper holder, extra deep, 5 slots
1	6070	6" Hook, 3" opening, painted
1	6072	8" Swivel hook, 4" opening, painted
1	7124	Reel holder with two 5/8" diameter rods
7	62-U1112	12" deep plastic bin
2	62-UDR14	Set of 5 dividers for a 14" Shelf
1	77-U1036	Adjustable shelving door unit - 33" W - for 36" & 72" shelves
1	77-U1048	Adjustable shelving door unit - 45" W - for 48" & 96" shelves
1	C20-GS	Straight steel partition with perforated window, no access
1	N4-RS48-3	Steel shelving unit for low roof van 14" D x 48" W x 44.5" H
1	N4-RS84-3	Steel shelving unit for low roof van 14" D x 84" W x 44.5" H
1	X50-B	Compact 2-drawer unit
1	X50-C	Compact 3-drawer unit



GSL-11 ELECTRICAL

	Steel		155"		Standard
	322 lbs		6.3 hrs		Yes

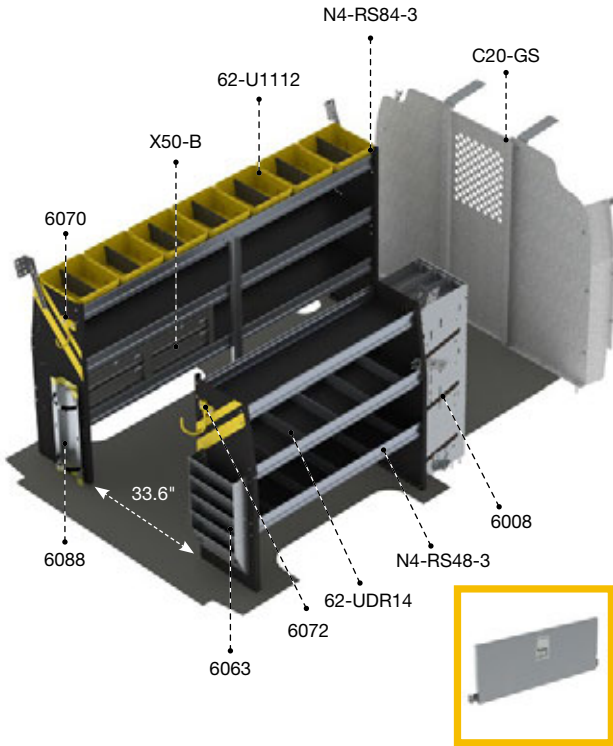
Qty	Part	Description
1	6063	Paper holder, extra deep, 5 slots
1	6070	6" Hook, 3" opening, painted
1	6072	8" Swivel hook, 4" opening, painted
1	7124	Reel holder with two 5/8" diameter rods
8	62-U1112	12" deep plastic bin
2	62-UDR14	Set of 5 dividers for a 14" Shelf
2	77-U1048	Adjustable shelving door unit - 45" W - for 48" & 96" shelves
1	C20-GS	Straight steel partition with perforated window, no access
1	N4-RS48-3	Steel shelving unit for low roof van 14" D x 48" W x 44.5" H
1	N4-RS96-3	Steel shelving unit for low roof van 14" D x 96" W x 44.5" H
1	X50-B	Compact 2-drawer unit
1	X50-C	Compact 3-drawer unit



ELECTRICAL **GSR-11**

CHEVROLET **EXPRESS**



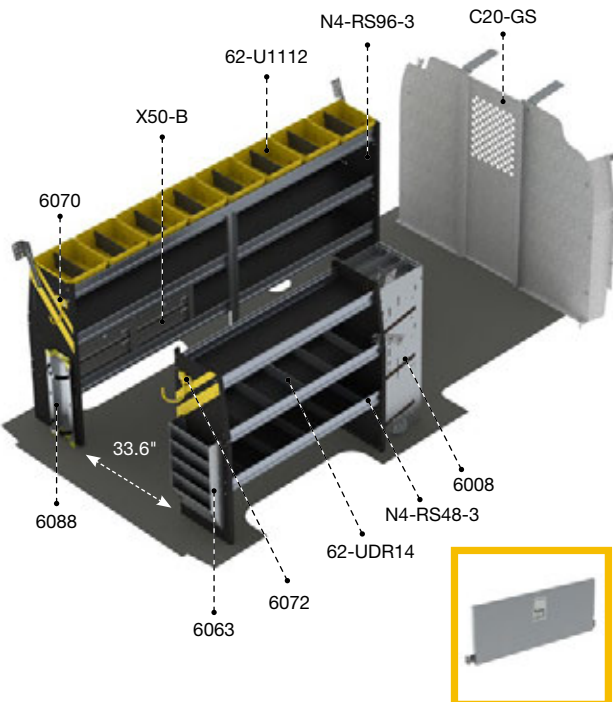


77-U1048

GSR-12 HVAC

Steel	135"	Standard
320 lbs	6.1 hrs	Yes

Qty	Part	Description
1	6008	3 Tier refrigerant rack for large bottles
1	6063	Paper holder, extra deep, 5 slots
1	6070	6" Hook, 3" opening, painted
1	6072	8" Swivel hook, 4" opening, painted
1	6088	Large aluminum bottle holder, with two black nylon straps
7	62-U1112	12" deep plastic bin
2	62-UDR14	Set of 5 dividers for a 14" Shelf
1	77-U1048	Adjustable shelving door unit - 45" W - for 48" & 96" shelves
1	C20-GS	Straight steel partition with perforated window, no access
1	N4-RS48-3	Steel shelving unit for low roof van 14" D x 48" W x 44.5" H
1	N4-RS84-3	Steel shelving unit for low roof van 14" D x 84" W x 44.5" H
2	X50-B	Compact 2-drawer unit



77-U1048

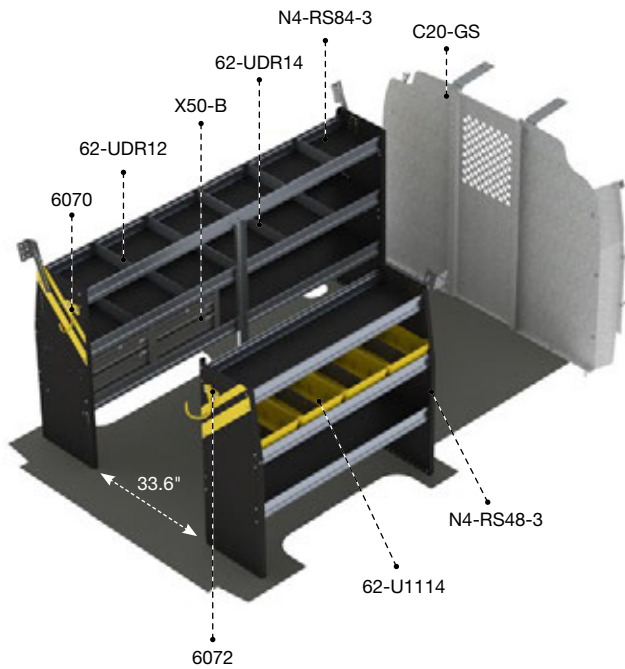
GSL-12 HVAC

Steel	155"	Standard
330 lbs	6.1 hrs	Yes

Qty	Part	Description
1	6008	3 Tier refrigerant rack for large bottles
1	6063	Paper holder, extra deep, 5 slots
1	6070	6" Hook, 3" opening, painted
1	6072	8" Swivel hook, 4" opening, painted
1	6088	Large aluminum bottle holder, with two black nylon straps
8	62-U1112	12" deep plastic bin
2	62-UDR14	Set of 5 dividers for a 14" Shelf
1	77-U1048	Adjustable shelving door unit - 45" W - for 48" & 96" shelves
1	C20-GS	Straight steel partition with perforated window, no access
1	N4-RS48-3	Steel shelving unit for low roof van 14" D x 48" W x 44.5" H
1	N4-RS96-3	Steel shelving unit for low roof van 14" D x 96" W x 44.5" H
2	X50-B	Compact 2-drawer unit



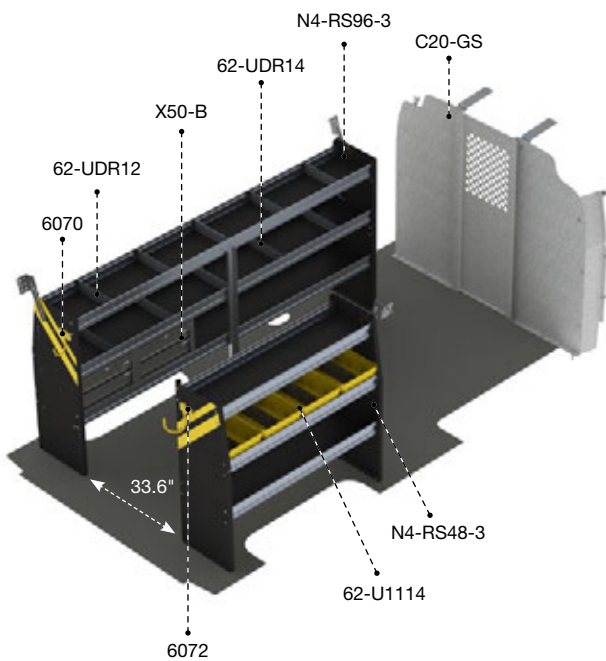
CHEVROLET EXPRESS



GSR-16
SERVICE

Steel	135"	Standard
270 lbs	4.6 hrs	Yes

Qty	Part	Description
1	6070	6" Hook, 3" opening, painted
1	6072	8" Swivel hook, 4" opening, painted
4	62-U1114	14" deep plastic bin
1	62-UDR12	Set of 5 dividers for a 12" Shelf
1	62-UDR14	Set of 5 dividers for a 14" Shelf
1	C20-GS	Straight steel partition with perforated window, no access
1	N4-RS48-3	Steel shelving unit for low roof van 14" D x 48" W x 44.5" H
1	N4-RS84-3	Steel shelving unit for low roof van 14" D x 84" W x 44.5" H
2	X50-B	Compact 2-drawer unit



GSL-16
SERVICE

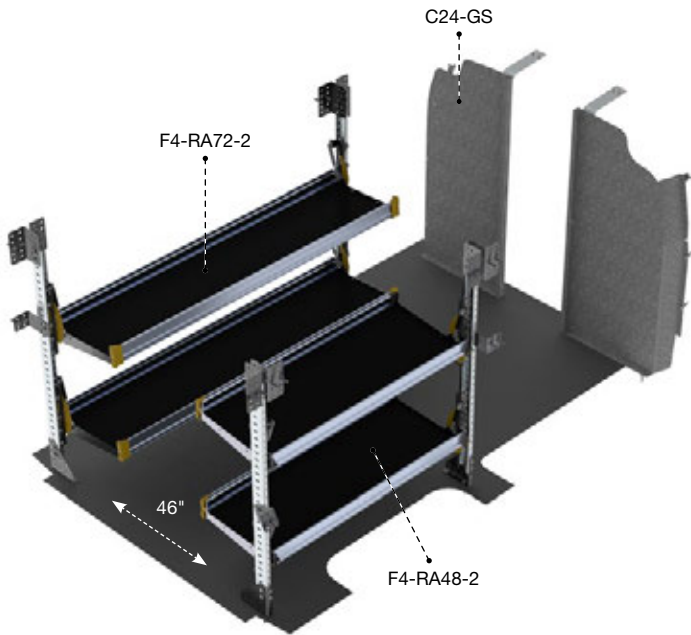
Steel	155"	Standard
278 lbs	4.6 hrs	Yes

Qty	Part	Description
1	6070	6" Hook, 3" opening, painted
1	6072	8" Swivel hook, 4" opening, painted
4	62-U1114	14" deep plastic bin
1	62-UDR12	Set of 5 dividers for a 12" Shelf
1	62-UDR14	Set of 5 dividers for a 14" Shelf
1	C20-GS	Straight steel partition with perforated window, no access
1	N4-RS48-3	Steel shelving unit for low roof van 14" D x 48" W x 44.5" H
1	N4-RS96-3	Steel shelving unit for low roof van 14" D x 96" W x 44.5" H
2	X50-B	Compact 2-drawer unit

CHEVROLET EXPRESS



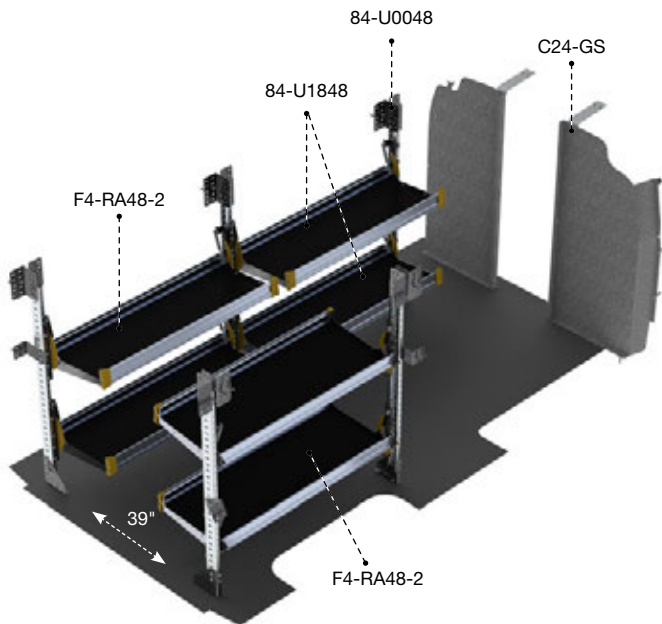
PACKAGES



GSR-19 DELIVERY

Aluminum	135"	Standard
195 lbs	4.2 hrs	Yes

Qty	Part	Description
1	C24-GS	Straight walk through steel partition
1	F4-RA72-2	Fold-away unit, 2 levels, 22" D x 72" W x 47" H
1	F4-RA48-2	Fold-away unit, 2 levels, 22" D x 48" W x 47" H



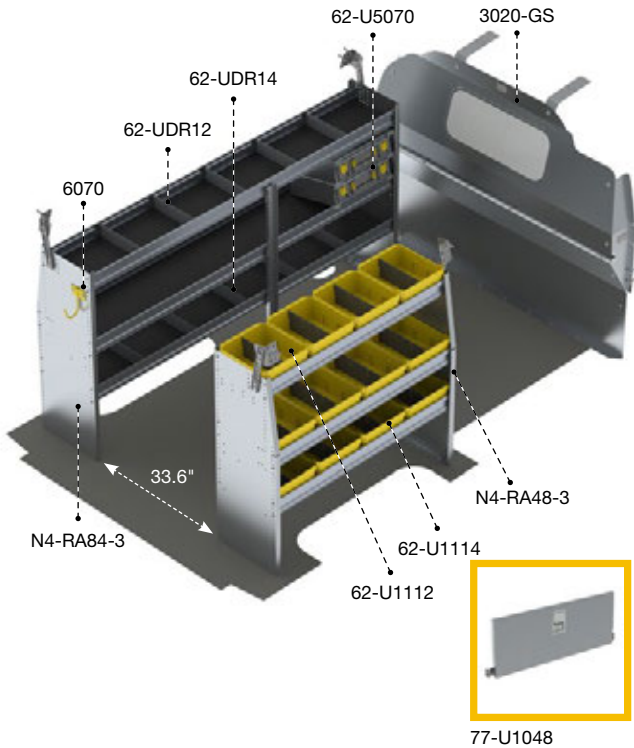
GSL-19 DELIVERY

Aluminum	155"	Standard
239 lbs	5.3 hrs	Yes

Qty	Part	Description
1	84-U0048	Post assembly for fold-away shelving, 48"
2	84-U1848	Fold-away shelf tray, 18" D x 48" W
1	C24-GS	Straight walk through steel partition
2	F4-RA48-2	Fold-away unit, 2 levels, 22" D x 48" W x 47" H



CHEVROLET EXPRESS

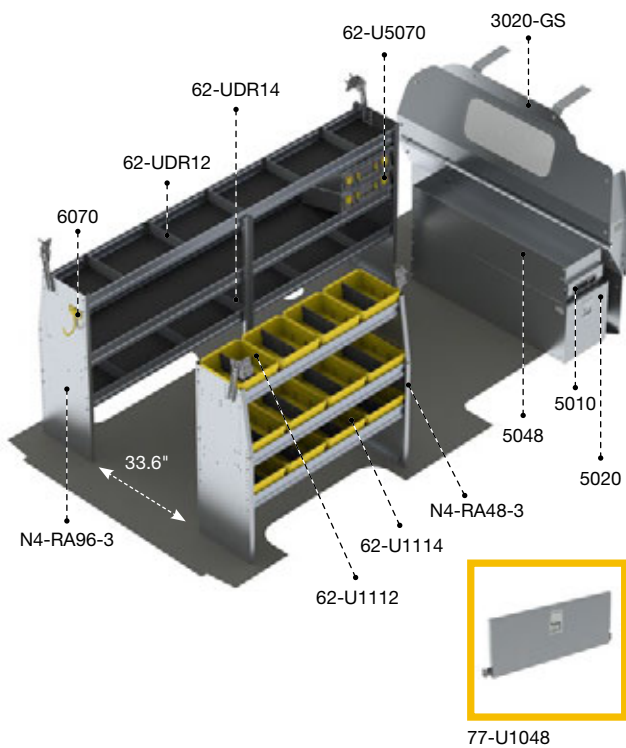


GSR-27
ALUMINUM

	Aluminum	135"	Standard
	224 lbs	4.4 hrs	Yes

Qty	Part	Description
1	3020-GS	Countoured safety partition with glass window
2	62-U5070	Partskeeper carry case with holder
1	6070	6" Hook, 3" opening, painted
4	62-U1112	12" deep plastic bin
8	62-U1114	14" deep plastic bin
1	62-UDR12	Set of 5 dividers for a 12" Shelf
1	62-UDR14	Set of 5 dividers for a 14" Shelf
1	77-U1048	Adjustable shelving door unit - 45" W - for 48" & 96" shelves
1	N4-RA48-3	Aluminum shelving unit for low roof van 14" D x 48" W x 44.5" H
1	N4-RA84-3	Aluminum shelving unit for low roof van 14" D x 84" W x 44.5" H

PACKAGES

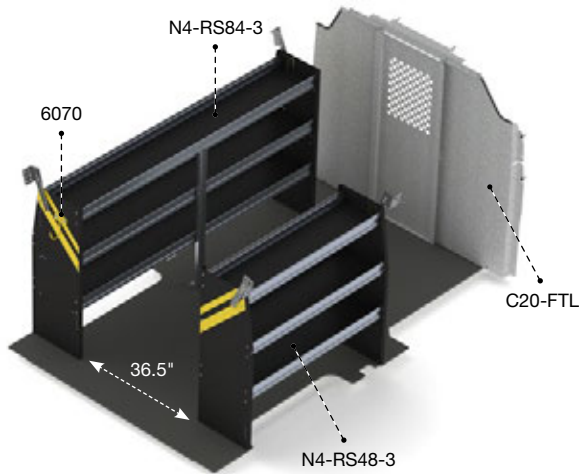


GSL-27
ALUMINUM







	Aluminum	155"	Standard
	339 lbs	6.1 hrs	Yes

Qty	Part	Description
1	3020-GS	Countoured safety partition with glass window
1	5010	Partslider drawer 48" D
1	5020	Tool Drawer 48" D x 14" W x 16" H
1	5048	Top edge
2	62-U5070	Partskeeper carry case with holder
1	6070	6" Hook, 3" opening, painted
4	62-U1112	12" deep plastic bin
8	62-U1114	14" deep plastic bin
1	62-UDR12	Set of 5 dividers for a 12" Shelf
1	62-UDR14	Set of 5 dividers for a 14" Shelf
1	77-U1048	Adjustable shelving door unit - 45" W - for 48" & 96" shelves
1	N4-RA48-3	Aluminum shelving unit for low roof van 14" D x 48" W x 44.5" H
1	N4-RA96-3	Aluminum shelving unit for low roof van 14" D x 96" W x 44.5" H

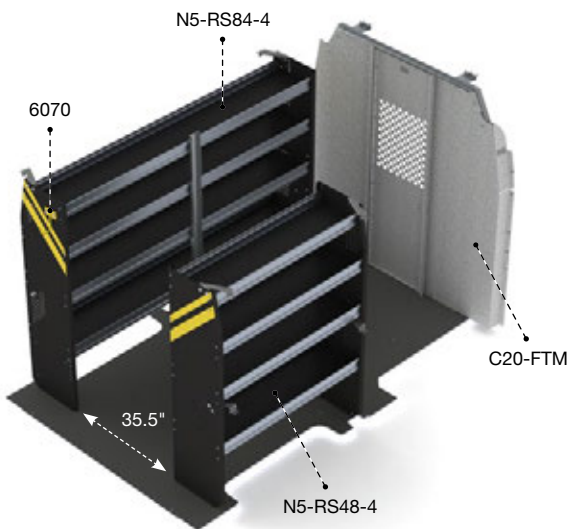
FORD TRANSIT









FTL-10 CONTRACTOR

 Steel	 130", 148"	 Low Roof
 206 lbs	 3.3 hrs	 Yes

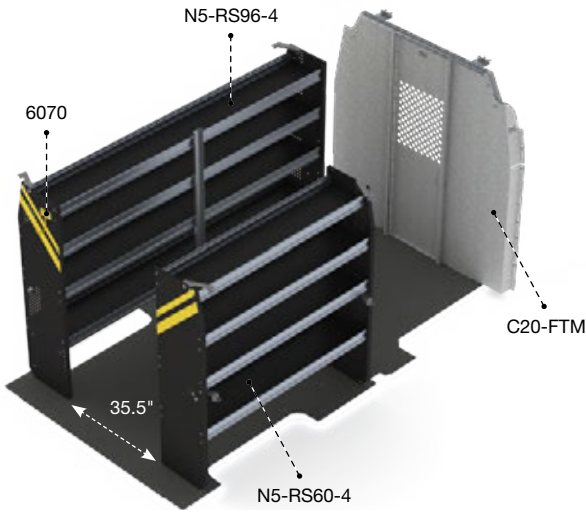
Qty	Part #	Description
1	6070	6" Hook, 3" opening, painted
1	C20-FTL	Straight steel partition with perforated window, no access
1	N4-RS48-3	Steel shelving unit for low roof van, 14" D x 48" W x 44.5" H
1	N4-RS84-3	Steel shelving unit for low roof van, 14" D x 84" W x 44.5" H



FTR-10 CONTRACTOR

 Steel	 130"	 Medium Roof
 268 lbs	 3.8 hrs	 Yes

Qty	Part #	Description
1	6070	6" Hook, 3" opening, painted
1	C20-FTM	Straight steel partition with perforated window, no access
1	N5-RS48-4	Steel shelving unit for high roof van, 14" D x 48" W x 62" H
1	N5-RS84-4	Steel shelving unit for high roof van, 14" D x 84" W x 62" H

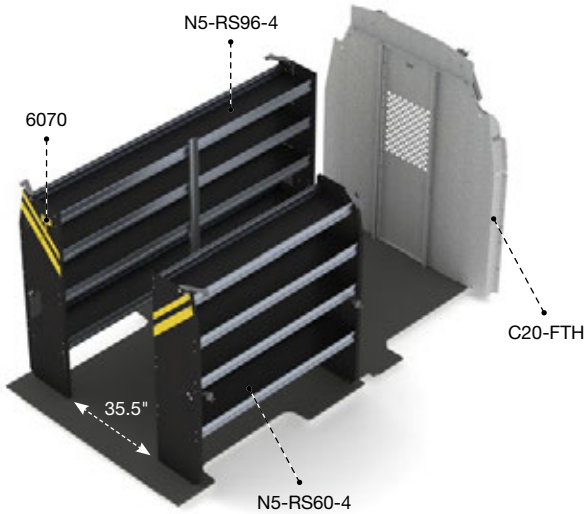


FTM-10 CONTRACTOR

Steel	148"	Medium Roof
288 lbs	3.8 hrs	Yes

Qty	Part #	Description
1	6070	6" Hook, 3" opening, painted
1	C20-FTM	Straight steel partition with perforated window, no access
1	N5-RS60-4	Steel shelving unit for high roof van, 14" D x 60" W x 62" H
1	N5-RS96-4	Steel shelving unit for high roof van, 14" D x 96" W x 62" H

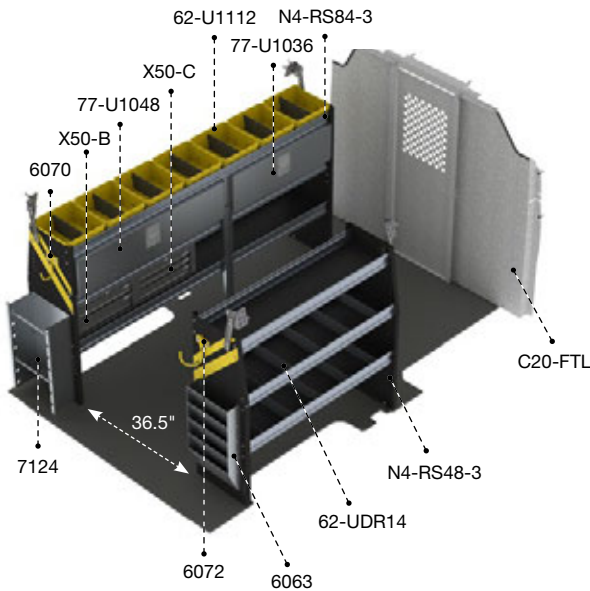
PACKAGES



FTH-10 CONTRACTOR

Steel	148", 148" Ext.	High Roof
303 lbs	3.8 hrs	Yes

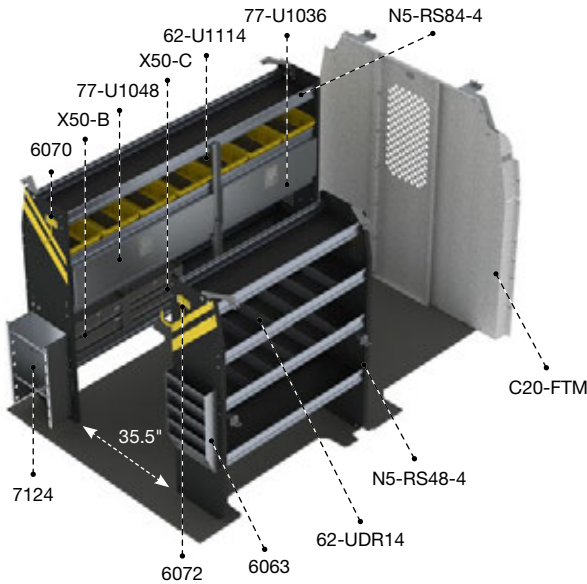
Qty	Part #	Description
1	6070	6" Hook, 3" opening, painted
1	C20-FTH	Straight steel partition with perforated window, no access
1	N5-RS60-4	Steel shelving unit for high roof van, 14" D x 60" W x 62" H
1	N5-RS96-4	Steel shelving unit for high roof van, 14" D x 96" W x 62" H



FTL-11 ELECTRICAL

	Steel		130", 148"		Low Roof
	314 lbs		5.8 hrs		Yes

Qty	Part #	Description
1	6063	Paper holder, extra deep, 5 slots
1	6070	6" Hook, 3" opening, painted
1	6072	8" Swivel hook, 4" opening, painted
7	62-U1112	12" Deep plastic bin
2	62-UDR14	Set of 5 dividers for a 14" shelf
1	7124	Reel holder with two 5/8" diameter rods
1	77-U1036	Adjustable shelving door unit - 33" W - for 36" and 72" shelves
1	77-U1048	Adjustable shelving door unit - 45" W - for 48" and 96" shelves
1	C20-FTL	Straight steel partition with perforated window, no access
1	N4-RS48-3	Steel shelving unit for low roof van, 14" D x 48" W x 44.5" H
1	N4-RS84-3	Steel shelving unit for low roof van, 14" D x 84" W x 44.5" H
1	X50-B	Compact 2-drawer unit
1	X50-C	Compact 3-drawer unit



FTR-11 ELECTRICAL

	Steel		130"		Medium Roof
	377 lbs		6.3 hrs		Yes

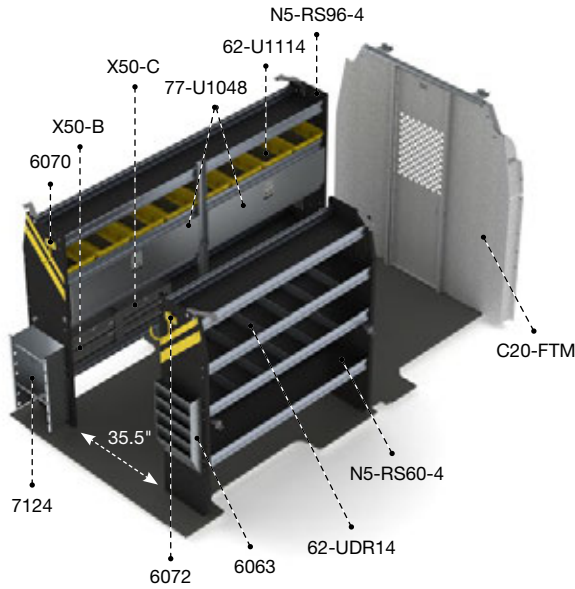
Qty	Part #	Description
1	6063	Paper holder, extra deep, 5 slots
1	6070	6" Hook, 3" opening, painted
1	6072	8" Swivel hook, 4" opening, painted
7	62-U1114	14" Deep plastic bin
2	62-UDR14	Set of 5 dividers for a 14" shelf
1	7124	Reel holder with two 5/8" diameter rods
1	77-U1036	Adjustable shelving door unit - 33" W - for 36" and 72" shelves
1	77-U1048	Adjustable shelving door unit - 45" W - for 48" and 96" shelves
1	C20-FTM	Straight steel partition with perforated window, no access
1	N5-RS48-4	Steel shelving unit for high roof van, 14" D x 48" W x 62" H
1	N5-RS84-4	Steel shelving unit for high roof van, 14" D x 84" W x 62" H
1	X50-B	Compact 2-drawer unit
1	X50-C	Compact 3-drawer unit



ELECTRICAL FTM-11

FORD TRANSIT

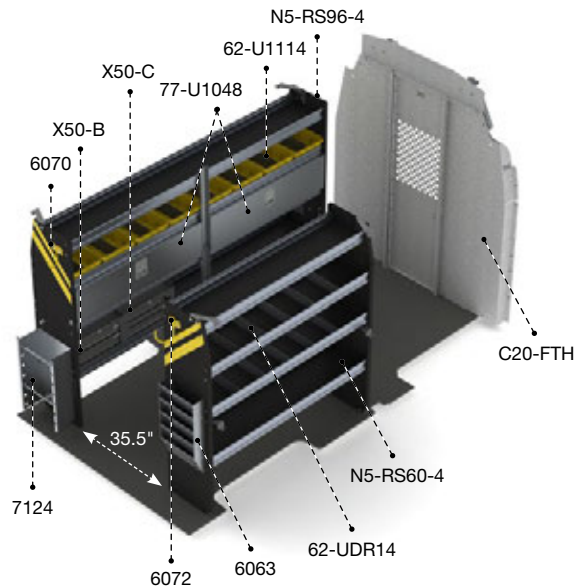




FTM-11 ELECTRICAL

	Steel		148"		Medium Roof
	401 lbs		6.3 hrs		Yes

Qty	Part #	Description
1	6063	Paper holder, extra deep, 5 slots
1	6070	6" Hook, 3" opening, painted
1	6072	8" Swivel hook, 4" opening, painted
8	62-U1114	14" Deep plastic bin
2	62-UDR14	Set of 5 dividers for a 14" shelf
1	7124	Reel holder with two 5/8" diameter rods
2	77-U1048	Adjustable shelving door unit - 45" W - for 48" and 96" shelves
1	C20-FTM	Straight steel partition with perforated window, no access
1	N5-RS60-4	Steel shelving unit for high roof van, 14" D x 60" W x 62" H
1	N5-RS96-4	Steel shelving unit for high roof van, 14" D x 96" W x 62" H
1	X50-B	Compact 2-drawer unit
1	X50-C	Compact 3-drawer unit



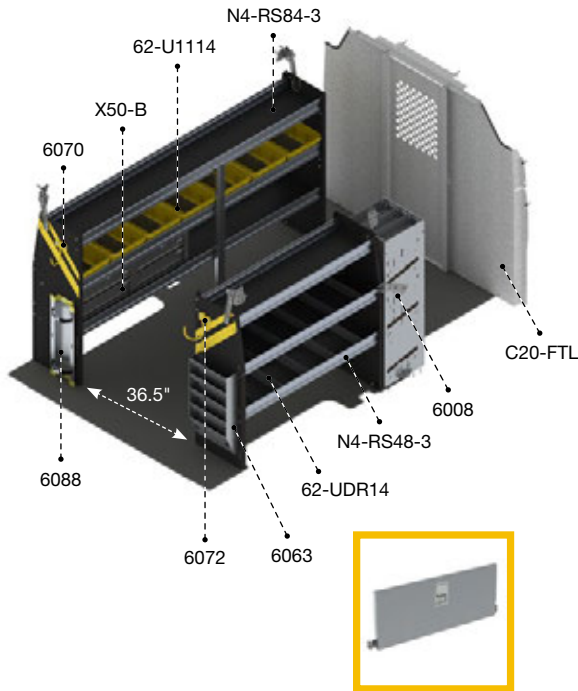
FTH-11 ELECTRICAL

	Steel		148", 148" Ext.		High Roof
	416 lbs		6.3 hrs		Yes

Qty	Part #	Description
1	6063	Paper holder, extra deep, 5 slots
1	6070	6" Hook, 3" opening, painted
1	6072	8" Swivel hook, 4" opening, painted
8	62-U1114	14" Deep plastic bin
2	62-UDR14	Set of 5 dividers for a 14" shelf
1	7124	Reel holder with two 5/8" diameter rods
2	77-U1048	Adjustable shelving door unit - 45" W - for 48" and 96" shelves
1	C20-FTH	Straight steel partition with perforated window, no access
1	N5-RS60-4	Steel shelving unit for high roof van, 14" D x 60" W x 62" H
1	N5-RS96-4	Steel shelving unit for high roof van, 14" D x 96" W x 62" H
1	X50-B	Compact 2-drawer unit
1	X50-C	Compact 3-drawer unit



FORD TRANSIT



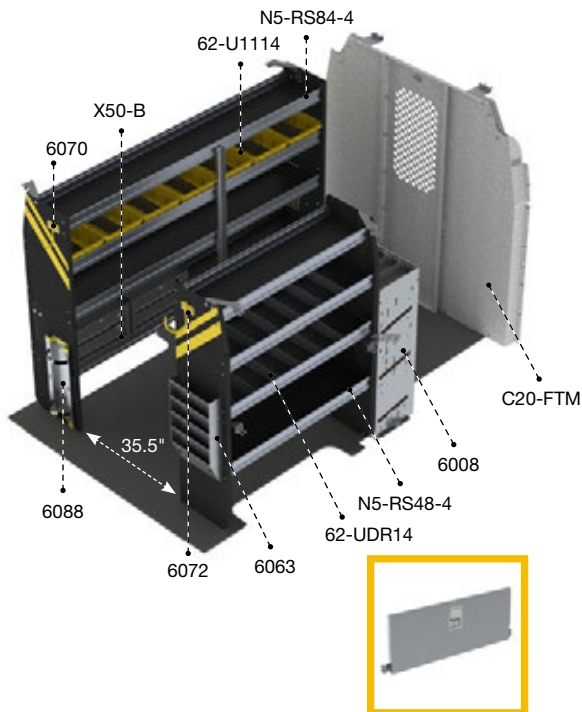
77-U1048

FTL-12 HVAC

	Steel		130", 148"		Low Roof
	325 lbs		5.6 hrs		Yes

Qty	Part #	Description
1	6008	3 Tier refrigerant rack for large bottles
1	6063	Paper holder, extra deep, 5 slots
1	6070	6" Hook, 3" opening, painted
1	6072	8" Swivel hook, 4" opening, painted
1	6088	Large aluminum bottle holder, with two black nylon straps
7	62-U1114	14" Deep plastic bin
2	62-UDR14	Set of 5 dividers for a 14" shelf
1	77-U1048	Adjustable shelving door unit - 45" W - for 48" & 96" shelves
1	C20-FTL	Straight steel partition with perforated window, no access
1	N4-RS48-3	Steel shelving unit for low roof van, 14" D x 48" W x 44.5" H
1	N4-RS84-3	Steel shelving unit for low roof van, 14" D x 84" W x 44.5" H
2	X50-B	Compact 2-drawer unit

PACKAGES

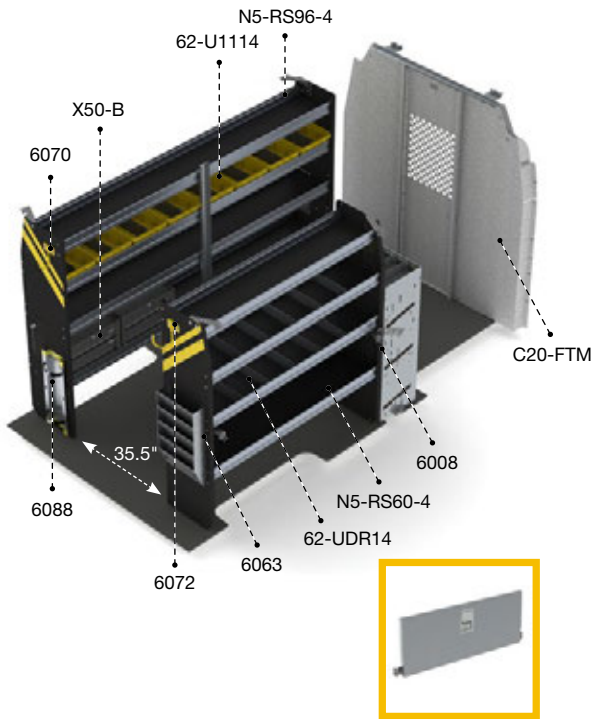


77-U1048

FTR-12 HVAC

	Steel		130"		Medium Roof
	387 lbs		6.1 hrs		Yes

Qty	Part #	Description
1	6008	3 Tier refrigerant rack for large bottles
1	6063	Paper holder, extra deep, 5 slots
1	6070	6" Hook, 3" opening, painted
1	6072	8" Swivel hook, 4" opening, painted
1	6088	Large aluminum bottle holder, with two black nylon straps
7	62-U1114	14" Deep plastic bin
2	62-UDR14	Set of 5 dividers for a 14" shelf
1	77-U1048	Adjustable shelving door unit - 45" W - for 48" & 96" shelves
1	C20-FTM	Straight steel partition with perforated window, no access
1	N5-RS48-4	Steel shelving unit for high roof van, 14" D x 48" W x 62" H
1	N5-RS84-4	Steel shelving unit for high roof van, 14" D x 84" W x 62" H
2	X50-B	Compact 2-drawer unit



77-U1060

FTM-12

HVAC

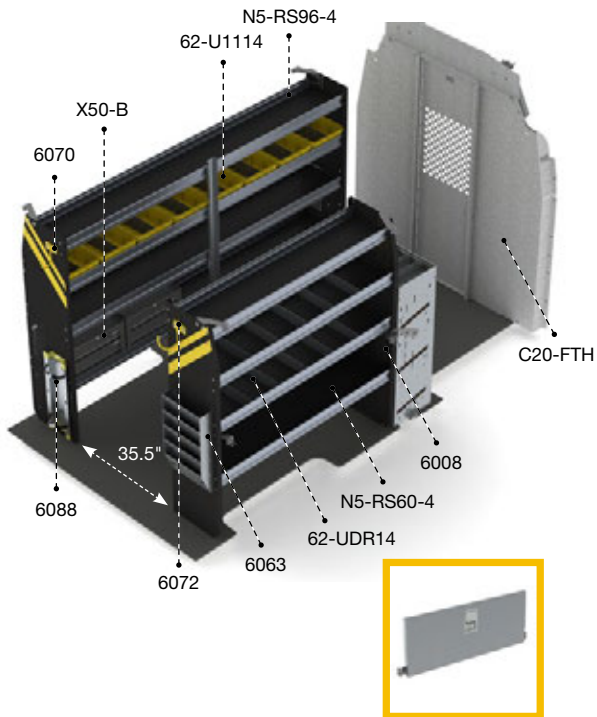
	Steel		148"		Medium Roof
	411 lbs		6.1 hrs		Yes

Qty	Part #	Description
1	6008	3 Tier refrigerant rack for large bottles
1	6063	Paper holder, extra deep, 5 slots
1	6070	6" Hook, 3" opening, painted
1	6072	8" Swivel hook, 4" opening, painted
1	6088	Large aluminum bottle holder, with two black nylon straps
8	62-U1114	14" Deep plastic bin
2	62-UDR14	Set of 5 dividers for a 14" shelf
1	77-U1060	Adjustable shelving door unit - 57" W - for 60" shelves
1	C20-FTM	Straight steel partition with perforated window, no access
1	N5-RS60-4	Steel shelving unit for high roof van, 14" D x 60" W x 62" H
1	N5-RS96-4	Steel shelving unit for high roof van, 14" D x 96" W x 62" H
2	X50-B	Compact 2-drawer unit

FTH-12

HVAC

	Steel		148", 148" Ext.		High Roof
	426 lbs		6.1 hrs		Yes

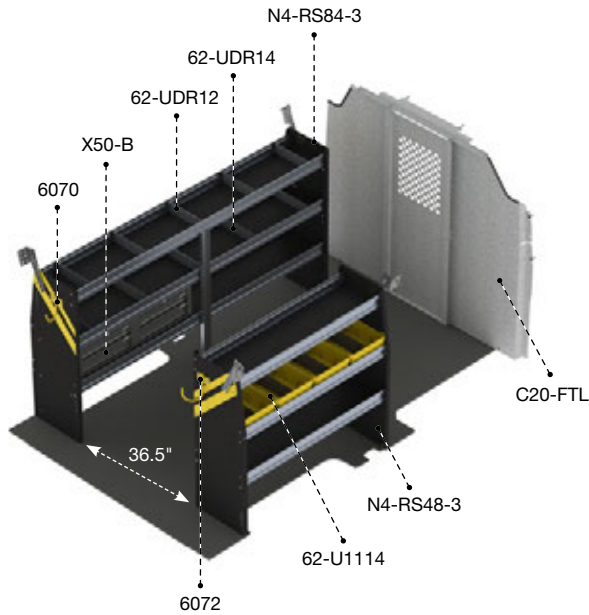


77-U1060

Qty	Part #	Description
1	6008	3 Tier refrigerant rack for large bottles
1	6063	Paper holder, extra deep, 5 slots
1	6070	6" Hook, 3" opening, painted
1	6072	8" Swivel hook, 4" opening, painted
1	6088	Large aluminum bottle holder, with two black nylon straps
8	62-U1114	14" Deep plastic bin
2	62-UDR14	Set of 5 dividers for a 14" shelf
1	77-U1060	Adjustable shelving door unit - 57" W - for 60" shelves
1	C20-FTH	Straight steel partition with perforated window, no access
1	N5-RS60-4	Steel shelving unit for high roof van, 14" D x 60" W x 62" H
1	N5-RS96-4	Steel shelving unit for high roof van, 14" D x 96" W x 62" H
2	X50-B	Compact 2-drawer unit



FORD TRANSIT

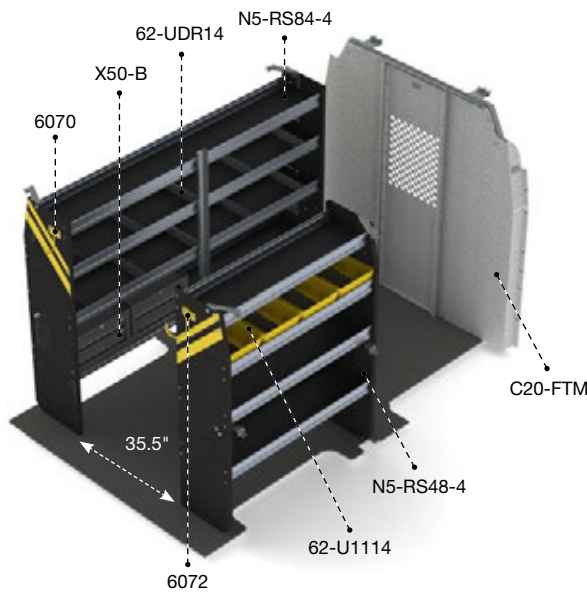


FTL-16 SERVICE

Steel	130", 148"	Low Roof
273 lbs	4.1 hrs	Yes

Qty	Part #	Description
1	6070	6" Hook, 3" opening, painted
1	6072	8" Swivel hook, 4" opening, painted
4	62-U1114	14" Deep plastic bin
1	62-UDR12	Set of 5 dividers for a 12" shelf
1	62-UDR14	Set of 5 dividers for a 14" shelf
1	C20-FTL	Straight steel partition with perforated window, no access
1	N4-RS48-3	Steel shelving unit for low roof van, 14" D x 48" W x 44.5" H
1	N4-RS84-3	Steel shelving unit for low roof van, 14" D x 84" W x 44.5" H
2	X50-B	Compact 2-drawer unit

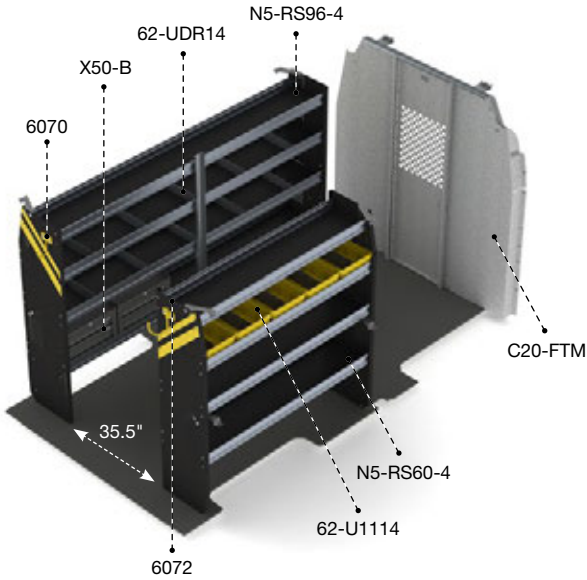
PACKAGES



FTR-16 SERVICE

Steel	130"	Medium Roof
336 lbs	4.6 hrs	Yes

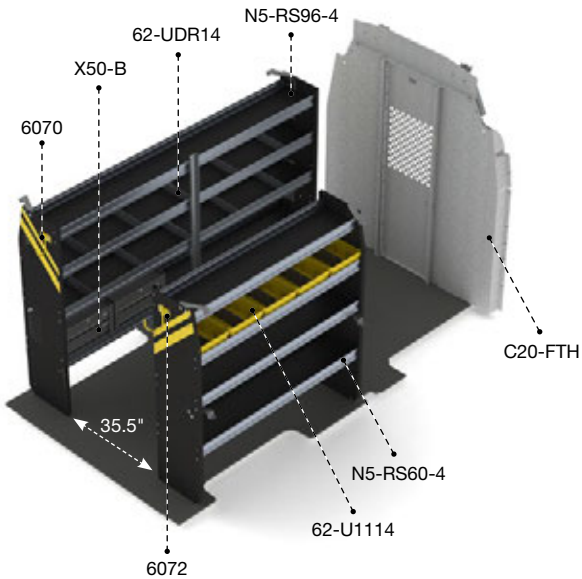
Qty	Part #	Description
1	6070	6" Hook, 3" opening, painted
1	6072	8" Swivel hook, 4" opening, painted
4	62-U1114	14" Deep plastic bin
2	62-UDR14	Set of 5 dividers for a 14" shelf
1	C20-FTM	Straight steel partition with perforated window, no access
1	N5-RS48-4	Steel shelving unit for low roof van, 14" D x 48" W x 62" H
1	N5-RS84-4	Steel shelving unit for low roof van, 14" D x 84" W x 62" H
2	X50-B	Compact 2-drawer unit



FTM-16 SERVICE

Steel	148"	Medium Roof
358 lbs	4.6 hrs	Yes

Qty	Part #	Description
1	6070	6" Hook, 3" opening, painted
1	6072	8" Swivel hook, 4" opening, painted
5	62-U1114	14" Deep plastic bin
2	62-UDR14	Set of 5 dividers for a 14" shelf
1	C20-FTM	Straight steel partition with perforated window, no access
1	N5-RS60-4	Steel shelving unit for high roof van, 14" D x 60" W x 62" H
1	N5-RS96-4	Steel shelving unit for high roof van, 14" D x 96" W x 62" H
2	X50-B	Compact 2-drawer unit



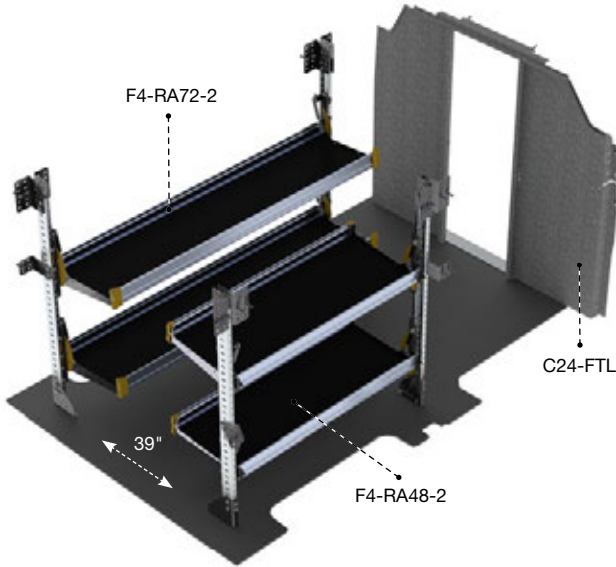
FTH-16 SERVICE

Steel	148", 148" Ext.	High Roof
373 lbs	4.6 hrs	Yes

Qty	Part #	Description
1	6070	6" Hook, 3" opening, painted
1	6072	8" Swivel hook, 4" opening, painted
5	62-U1114	14" Deep plastic bin
2	62-UDR14	Set of 5 dividers for a 14" shelf
1	C20-FTH	Straight steel partition with perforated window, no access
1	N5-RS60-4	Steel shelving unit for high roof van, 14" D x 60" W x 62" H
1	N5-RS96-4	Steel shelving unit for high roof van, 14" D x 96" W x 62" H
2	X50-B	Compact 2-drawer unit



FORD TRANSIT

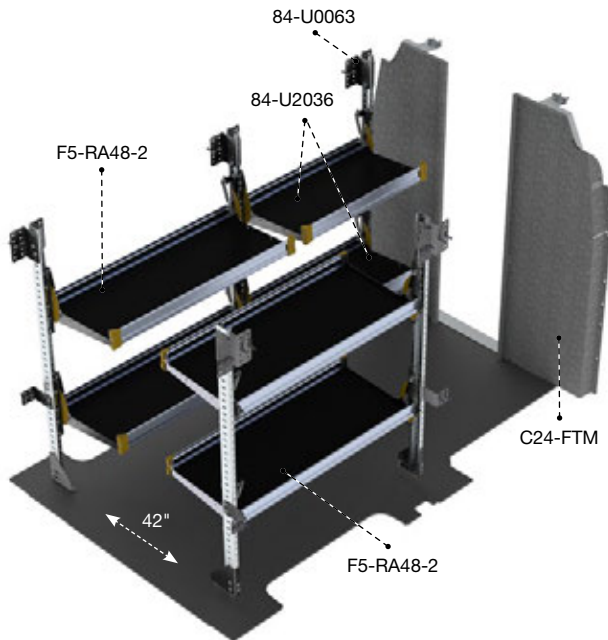


FTL-19 DELIVERY

Aluminum	130", 148"	Low Roof
195 lbs	4.4 hrs	Yes

Qty	Part #	Description
1	C24-FTL	Straight walk through steel partition
1	F4-RA72-2	Fold-away unit, 2 levels, 22" D x 72" W x 47" H
1	F4-RA48-2	Fold-away unit, 2 levels, 22" D x 48" W x 47" H

PACKAGES



FTR-19 DELIVERY

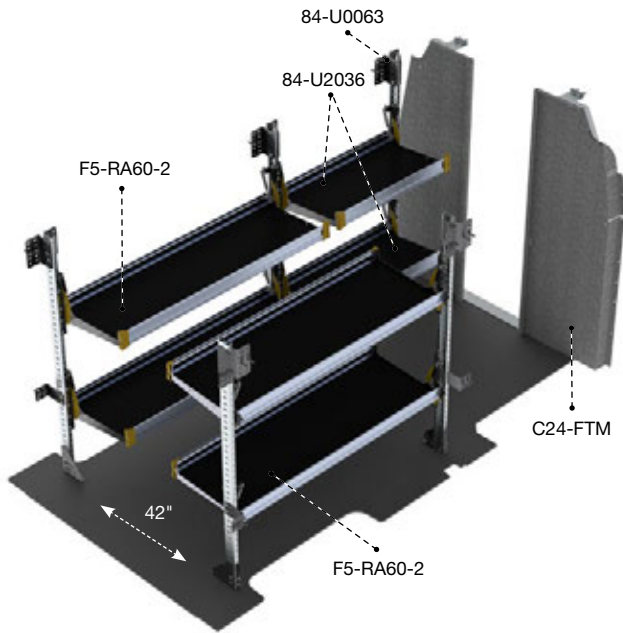
Aluminum	130"	Medium Roof
259 lbs	5.5 hrs	Yes

Qty	Part #	Description
1	84-U0063	Post assembly for fold-away shelving, 63"
2	84-U2036	Fold-away shelf tray, 20" D x 36" W
1	C24-FTM	Straight walk through steel partition
2	F5-RA48-2	Fold-away unit, 2 levels, 25" D x 48" W x 63" H

FORD TRANSIT



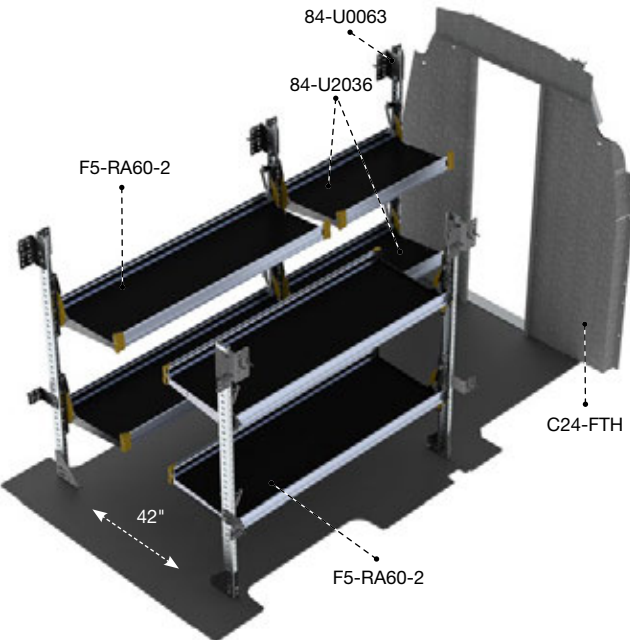
PACKAGES



FTM-19 DELIVERY

Aluminum	148"	Medium Roof
271 lbs	5.5 hrs	Yes

Qty	Part #	Description
1	84-U0063	Post assembly for fold-away shelving, 63"
2	84-U2036	Fold-away shelf tray, 20" D x 36" W
1	C24-FTM	Straight walk through steel partition
2	F5-RA60-2	Fold-away unit, 2 levels, 25" D x 60" W x 63" H



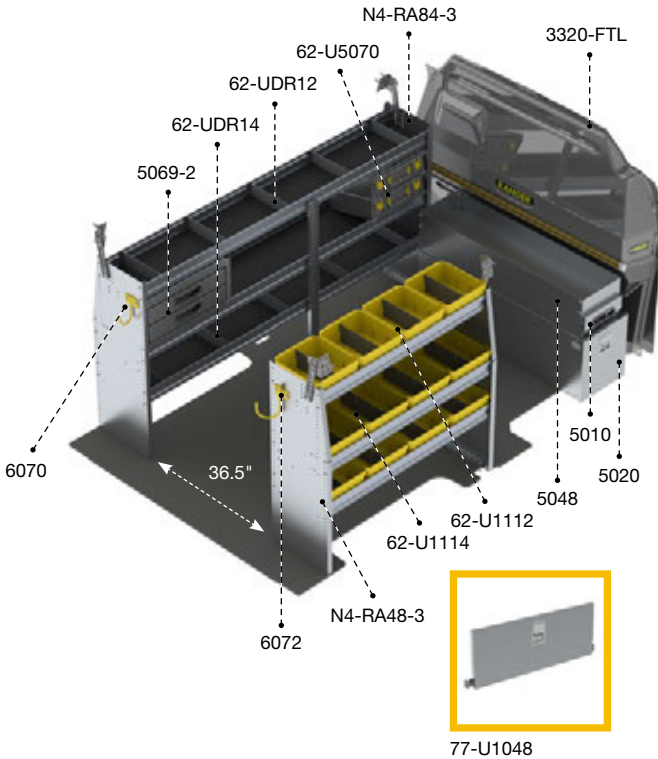
FTH-19 DELIVERY

Aluminum	148", 148" Ext.	High Roof
277 lbs	5.5 hrs	Yes

Qty	Part #	Description
1	84-U0063	Post assembly for fold-away shelving, 63"
2	84-U2036	Fold-away shelf tray, 20" D x 36" W
1	C24-FTH	Straight walk through steel partition
2	F5-RA60-2	Fold-away unit, 2 levels, 25" D x 60" W x 63" H



FORD TRANSIT

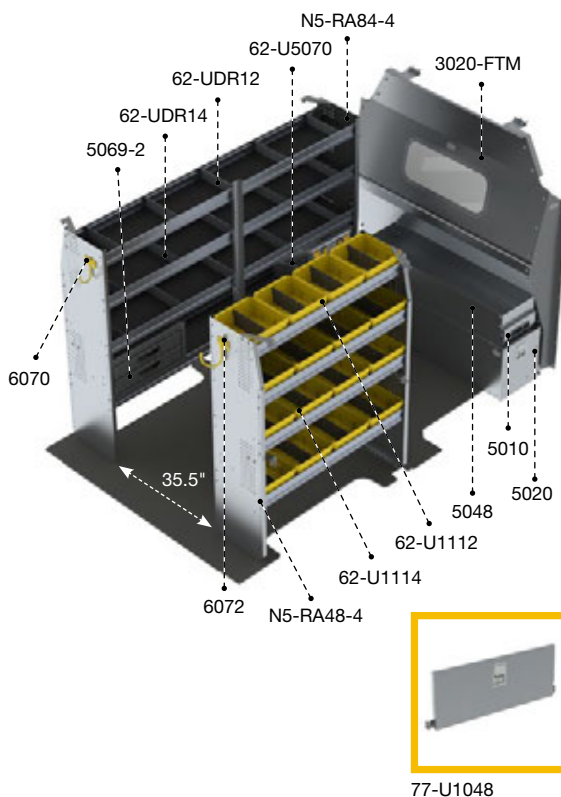


FTL-27 ALUMINUM

	Aluminum		130", 148"		Low Roof
	372 lbs		7.3 hrs		Yes

Qty	Part #	Description
1	3320-FTL	Max View Countoured safety partition
1	5010	Partslider 48" D
1	5020	Tool drawer 48" D x 14" W x 16" H
1	5048	Top edge
1	5069-2	2 Drawer cabinet
2	62-U5070	Partskeeper carry case with holder
1	6070	6" Hook, 3" opening, painted
1	6072	8" Swivel hook, 4" opening, painted
4	62-U1112	12" Deep plastic bin
8	62-U1114	14" Deep plastic bin
1	62-UDR12	Set of 5 dividers for a 12" shelf
1	62-UDR14	Set of 5 dividers for a 14" shelf
1	77-U1048	Adjustable shelving door unit - 45" W - for 48" & 96" shelves
1	N4-RA48-3	Aluminum shelving unit for low roof van, 14"D x 48" W x 44.5" H
1	N4-RA84-3	Aluminum shelving unit for low roof van, 14"D x 84" W x 44.5" H

PACKAGES



FTR-27 ALUMINUM

	Aluminum		130"		Medium Roof
	423 lbs		7.3 hrs		Yes

Qty	Part #	Description
1	3020-FTM	Countoured safety partition with glass window
1	5010	Partslider 48" D
1	5020	Tool drawer 48" D x 14" W x 16" H
1	5048	Top edge
1	5069-2	2 Drawer cabinet
2	62-U5070	Partskeeper carry case with holder
1	6070	6" Hook, 3" opening, painted
1	6072	8" Swivel hook, 4" opening, painted
4	62-U1112	12" Deep plastic bin
12	62-U1114	14" Deep plastic bin
1	62-UDR12	Set of 5 dividers for a 12" shelf
2	62-UDR14	Set of 5 dividers for a 14" shelf
1	77-U1048	Adjustable shelving door unit - 45" W - for 48" & 96" shelves
1	N5-RA48-4	Aluminum shelving unit for high roof van, 14"D x 48" W x 62" H
1	N5-RA84-4	Aluminum shelving unit for high roof van, 14" D x 84" W x 62" H



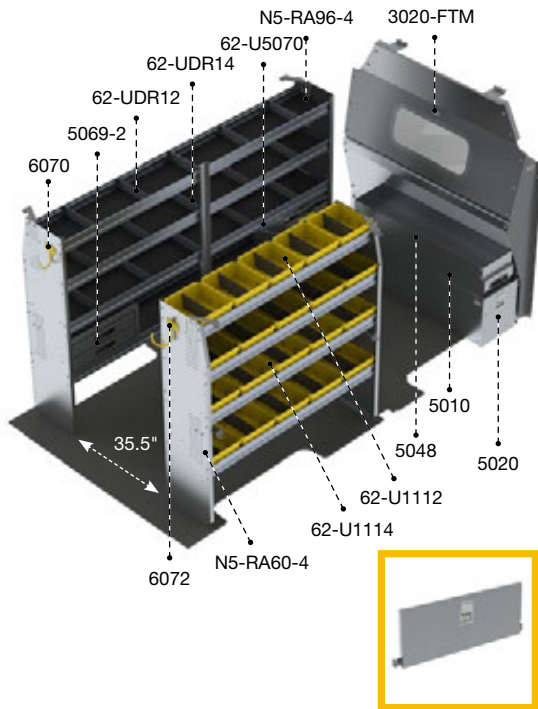
ALUMINUM
FTM-27

FORD TRANSIT





FORD TRANSIT



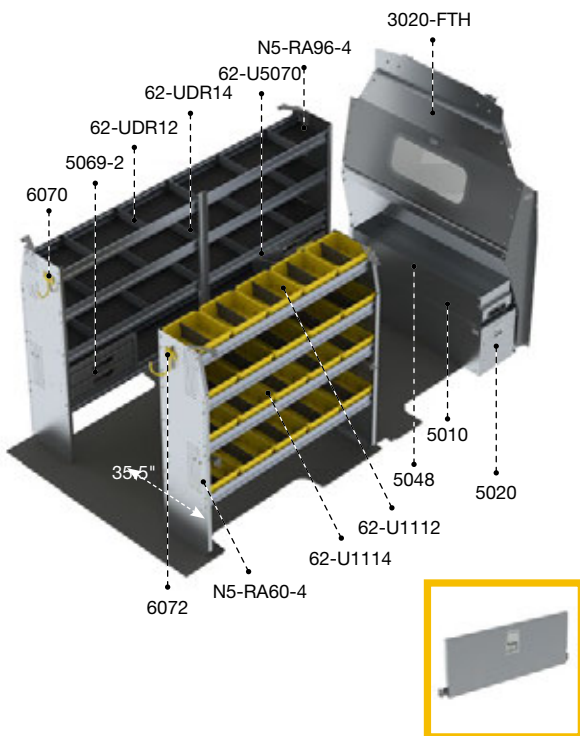
77-U1060

FTM-27
ALUMINUM

	Aluminum		148"		Medium Roof
	453 lbs		7.3 hrs		Yes

Qty	Part #	Description
1	3020-FTM	Countoured safety partition with glass window
1	5010	Partslider 48" D
1	5020	Tool drawer 48" D x 14" W x 16" H
1	5048	Top edge
1	5069-2	2 Drawer cabinet
2	62-U5070	Partskeeper cabinets
1	6070	6" Hook, 3" opening, painted
1	6072	8" Swivel hook, 4" opening, painted
5	62-U1112	12" Deep plastic bin
15	62-U1114	14" Deep plastic bin
1	62-UDR12	Set of 5 dividers for a 12" shelf
2	62-UDR14	Set of 5 dividers for a 14" shelf
1	77-U1060	Adjustable shelving door unit - 57" W - for 60" shelves
1	N5-RA60-4	Aluminum shelving unit for high roof van, 14"D x 60" W x 62" H
1	N5-RA96-4	Aluminum shelving unit for high roof van, 14"D x 96" W x 62" H

PACKAGES



77-U1060

FTH-27
ALUMINUM

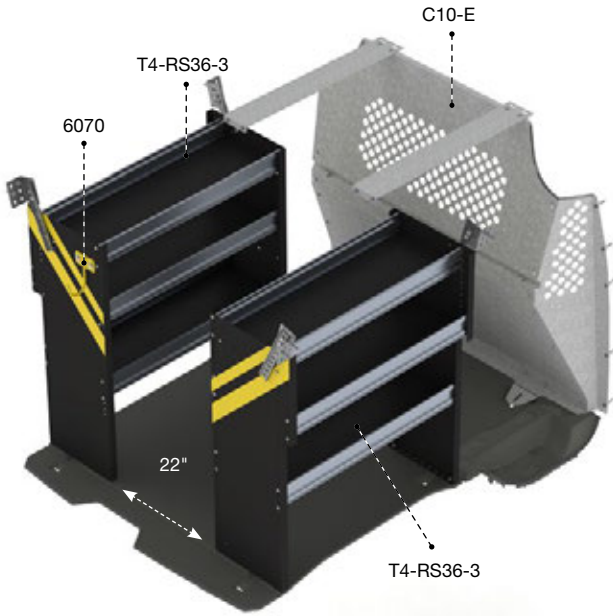
	Aluminum		148", 148" Ext.		High Roof
	467 lbs		7.3 hrs		Yes

Qty	Part #	Description
1	3020-FTH	Countoured safety partition with glass window
1	5010	Partslider 48" D
1	5020	Tool drawer 48" D x 14" W x 16" H
1	5048	Top edge
1	5069-2	2 Drawer cabinet
2	62-U5070	Partskeeper cabinets
1	6070	6" Hook, 3" opening, painted
1	6072	8" Swivel hook, 4" opening, painted
5	62-U1112	12" Deep plastic bin
15	62-U1114	14" Deep plastic bin
1	62-UDR12	Set of 5 dividers for a 12" shelf
2	62-UDR14	Set of 5 dividers for a 14" shelf
1	77-U1060	Adjustable shelving door unit - 57" W - for 60" shelves
1	N5-RA60-4	Aluminum shelving unit for high roof van, 14"D x 60" W x 62" H
1	N5-RA96-4	Aluminum shelving unit for high roof van, 14"D x 96" W x 62" H







FORD TRANSIT CONNECT



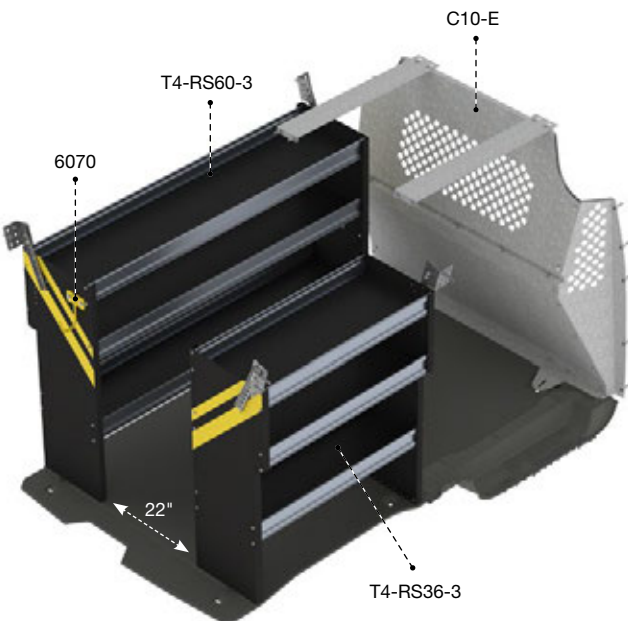
PACKAGES









TCS-10 CONTRACTOR

 Steel	 105"	 Standard
 149 lbs	 3.2 hrs	 Yes

Qty	Part #	Description
1	6070	6" Hook, 3" opening, painted
1	C10-E	Contoured steel partition with perforated window
2	T4-RS36-3	Steel shelving unit for Transit Connect 14" D x 36" W x 41.5" H



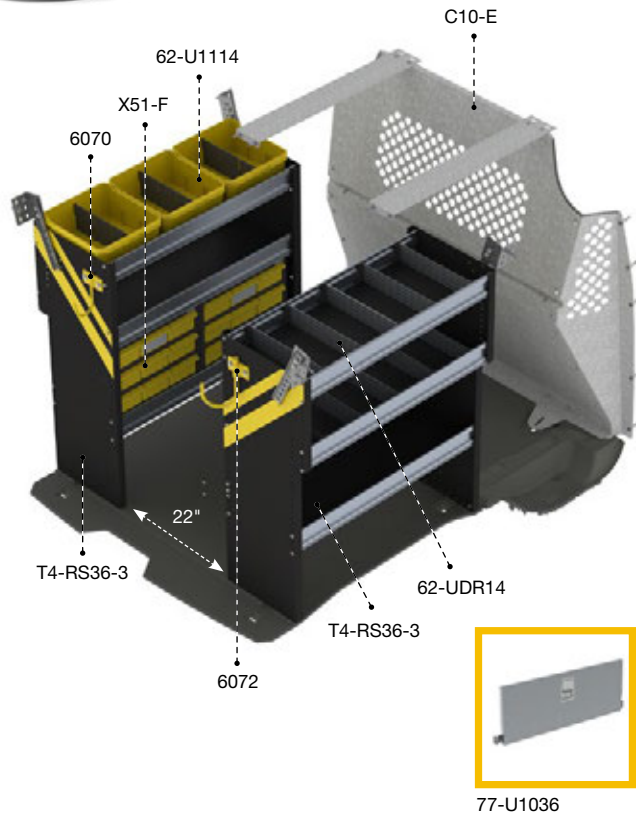
TCL-10 CONTRACTOR

 Steel	 120.5"	 Standard
 164 lbs	 3.2 hrs	 Yes

Qty	Part #	Description
1	6070	6" Hook, 3" opening, painted
1	C10-E	Contoured steel partition with perforated window
1	T4-RS36-3	Steel shelving unit for Transit Connect 14" D x 36" W x 41.5" H
1	T4-RS60-3	Steel shelving unit for Transit Connect 14" D x 60" W x 41.5" H



FORD TRANSIT CONNECT

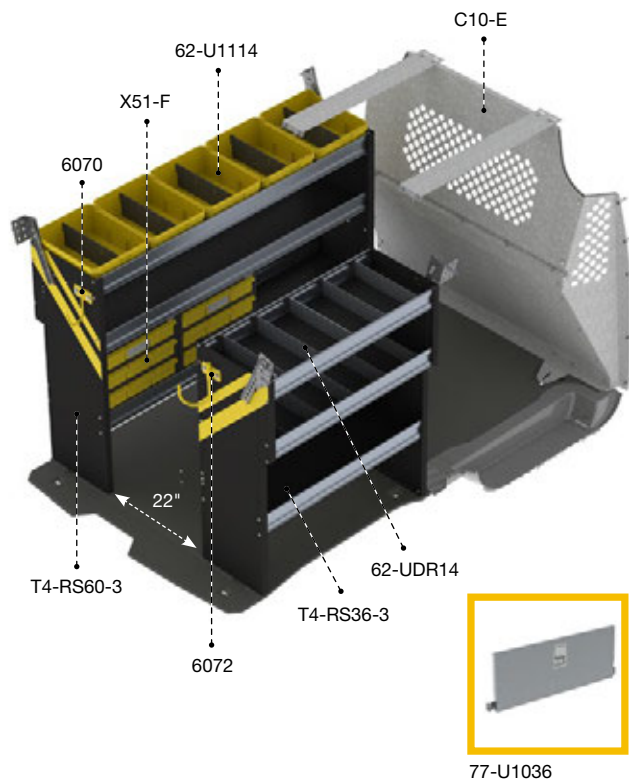


TCS-11
ELECTRICAL

Steel	105"	Standard
223 lbs	4.5 hrs	Yes

Qty	Part #	Description
1	6070	6" Hook, 3" opening, painted
1	6072	8" Swivel hook, 4" opening, painted
3	62-U1114	14" deep plastic bin
2	62-UDR14	Set of 5 dividers for a 14" Shelf
1	77-U1036	Adjustable shelving door unit - 33" W - for 36" & 72" shelves
1	C10-E	Contoured steel partition with perforated window
2	T4-RS36-3	Steel Shelving Unit for Transit Connect 14" D x 36" W x 41.5" H
2	X51-F	Compact 9-drawer unit

PACKAGES



TCL-11
ELECTRICAL

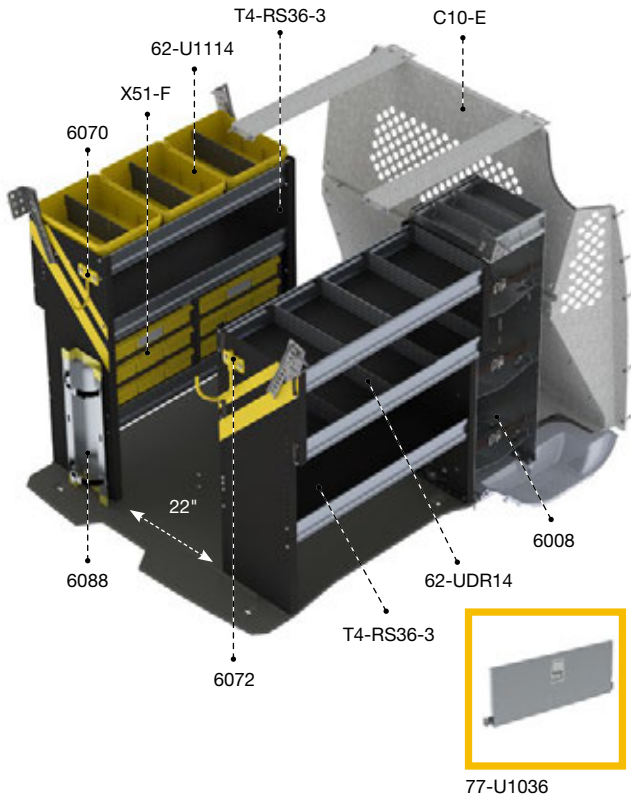
Steel	120.5"	Standard
164 lbs	4.5 hrs	Yes

Qty	Part #	Description
1	6070	6" Hook, 3" opening, painted
1	6072	8" Swivel hook, 4" opening, painted
5	62-U1114	14" deep plastic bin
2	62-UDR14	Set of 5 dividers for a 14" Shelf
1	77-U1036	Adjustable shelving door unit - 33" W - for 36" & 72" shelves
1	C10-E	Contoured steel partition with perforated window
1	T4-RS36-3	Steel Shelving Unit for Transit Connect 14" D x 36" W x 41.5" H
1	T4-RS60-3	Steel Shelving Unit for Transit Connect 14" D x 60" W x 41.5" H
2	X51-F	Compact 9-drawer unit

FORD TRANSIT CONNECT



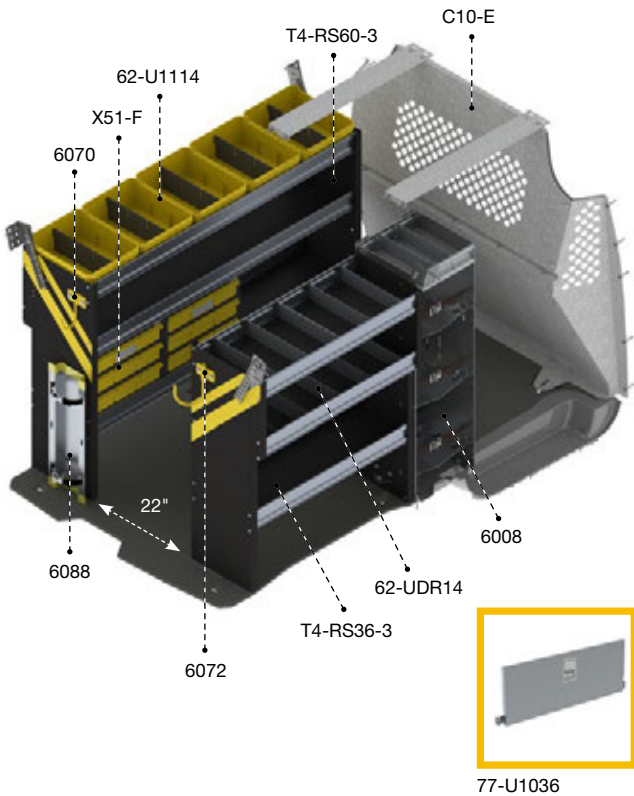
PACKAGES



TCS-12 HVAC

	Steel		105"		Standard
	254 lbs		5.3 hrs		Yes

Qty	Part #	Description
1	6008	3 Tier refrigerant rack for large bottles
1	6070	6" Hook, 3" opening, painted
1	6072	8" Swivel hook, 4" opening, painted
1	6088	Large aluminum bottle holder, with two black nylon straps
3	62-U1114	14" Deep plastic bin
2	62-UDR14	Set of 5 dividers for a 14" shelf
1	77-U1036	Adjustable shelving door unit - 33" W - for 36" & 72" shelves
1	C10-E	Contoured steel partition with perforated window
2	T4-RS36-3	Steel shelving unit for Transit Connect 14" D x 36" W x 41.5" H
2	X51-F	Compact 9-drawer unit



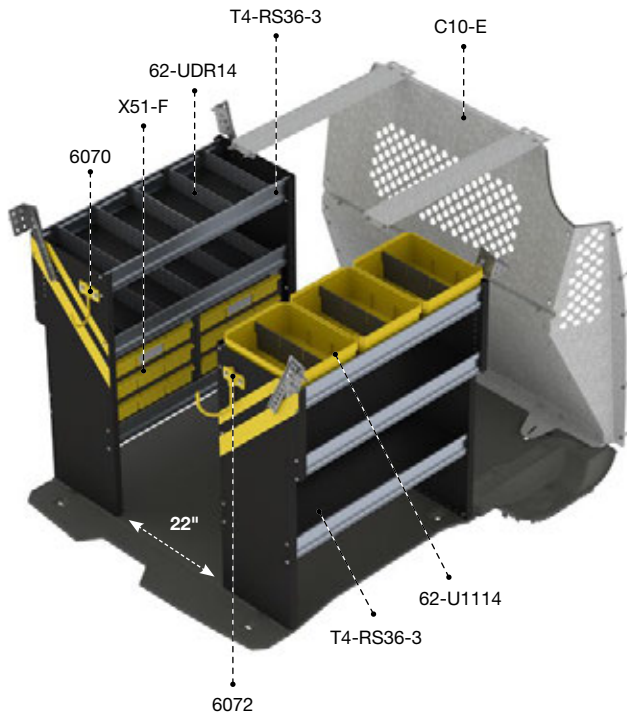
TCL-12 HVAC

	Steel		120.5"		Standard
	273 lbs		5.3 hrs		Yes

Qty	Part #	Description
1	6008	3 Tier refrigerant rack for large bottles
1	6070	6" Hook, 3" opening, painted
1	6072	8" Swivel hook, 4" opening, painted
1	6088	Large aluminum bottle holder, with two black nylon straps
5	62-U1114	14" Deep plastic bin
2	62-UDR14	Set of 5 dividers for a 14" shelf
1	77-U1036	Adjustable shelving door unit - 33" W - for 36" & 72" shelves
1	C10-E	Contoured steel partition with perforated window
1	T4-RS36-3	Steel shelving unit for Transit Connect 14" D x 36" W x 41.5" H
1	T4-RS60-3	Steel Shelving Unit for Transit Connect 14" D x 60" W x 41.5" H
2	X51-F	Compact 9-drawer unit



FORD TRANSIT CONNECT

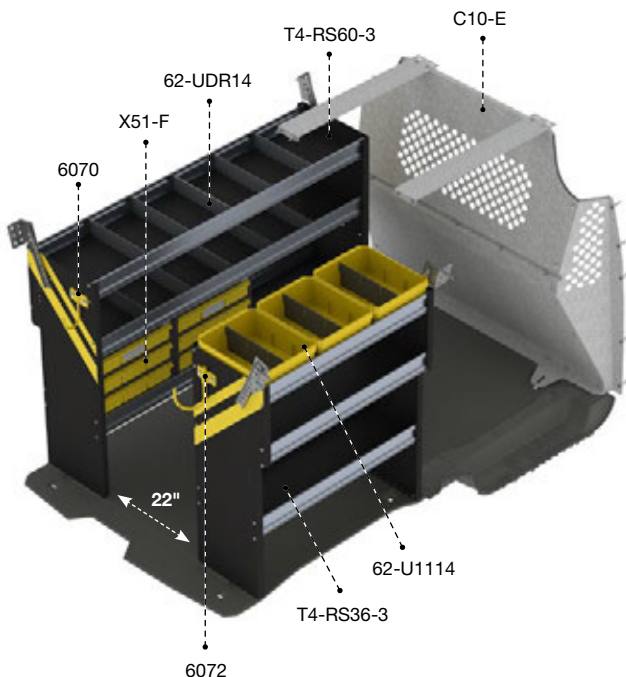


TCS-16
SERVICE

Steel	105"	Standard
217 lbs	4 hrs	Yes

Qty	Part #	Description
1	6070	6" Hook, 3" opening, painted
1	6072	8" Swivel hook, 4" opening, painted
3	62-U1114	14" deep plastic bin
2	62-UDR14	Set of 5 dividers for a 14" Shelf
1	C10-E	Contoured steel partition with perforated window
2	T4-RS36-3	Steel Shelving Unit 14" D x 36" W x 41.5" H
2	X51-F	Compact 9-drawer unit

PACKAGES



TCL-16
SERVICE

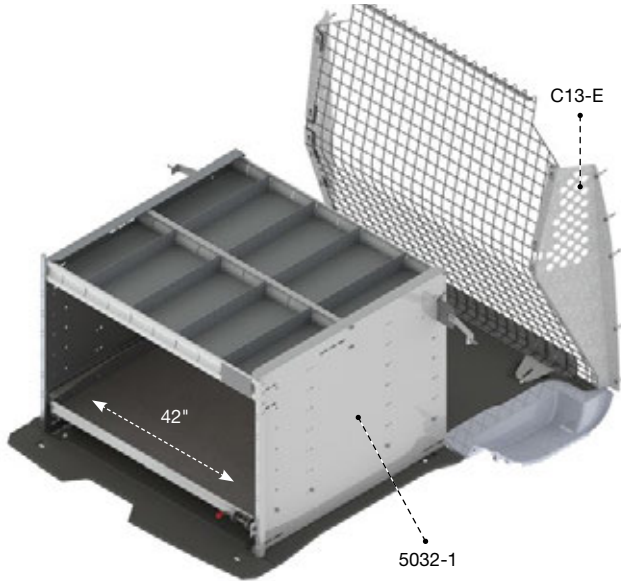
Steel	120.5"	Standard
232 lbs	4 hrs	Yes

Qty	Part #	Description
1	6070	6" Hook, 3" opening, painted
1	6072	8" Swivel hook, 4" opening, painted
3	62-U1114	14" deep plastic bin
2	62-UDR14	Set of 5 dividers for a 14" Shelf
1	C10-E	Contoured steel partition with perforated window
1	T4-RS36-3	Steel Shelving Unit 14" D x 36" W x 41.5" H
1	T4-RS60-3	Steel Shelving Unit 14" D x 60" W x 41.5" H
2	X51-F	Compact 9-drawer unit

FORD TRANSIT CONNECT



PACKAGES

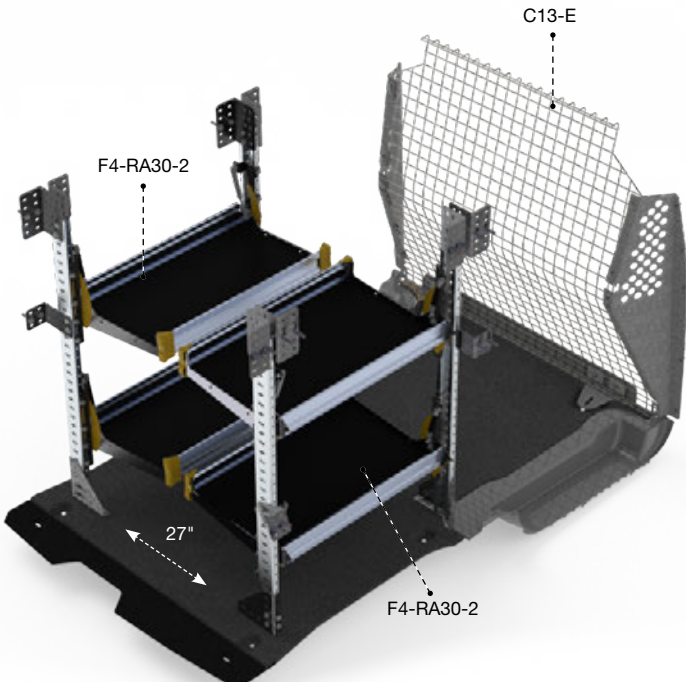


TCS-19 DELIVERY

Aluminum	105"	Standard
126 lbs	1.7 hrs	Yes

Qty	Part #	Description
1	5032-1	Axess tray with 1 shelf and 1 drawer, 38" D x 45" W x 30" H
1	C13-E	Wire mesh partition

Install kit # 6472 can be purchased separately.



TCL-19 DELIVERY

Aluminum	120.5"	Standard
154 lbs	3.9 hrs	Yes

Qty	Part #	Description
1	C13-E	Wire mesh partition
2	F4-RA30-2	Fold-away unit, 2 levels, 22" D x 30" W x 47" H



SERVICE
TCL-16

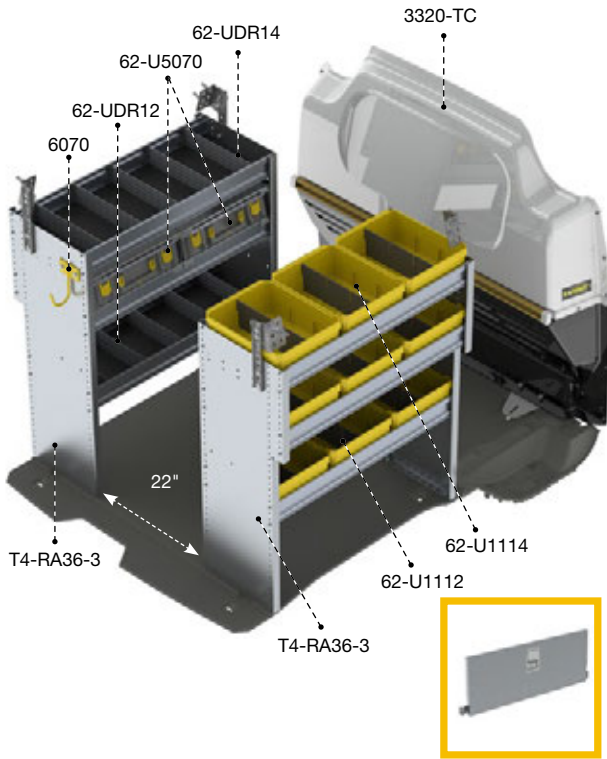
FORD TRANSIT CONNECT



FORD TRANSIT CONNECT



PACKAGES



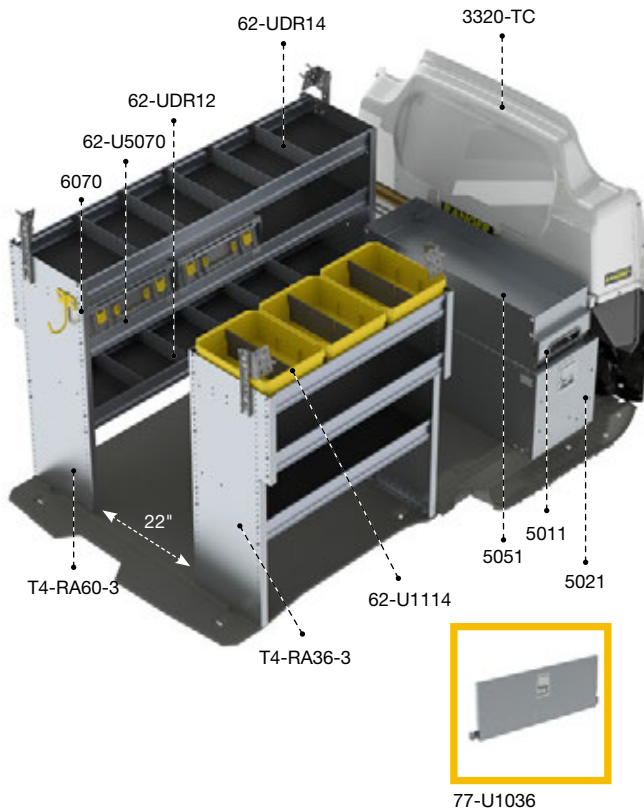
TCS-27 ALUMINUM

Aluminum	105"	Standard
161 lbs	4.3 hrs	Yes

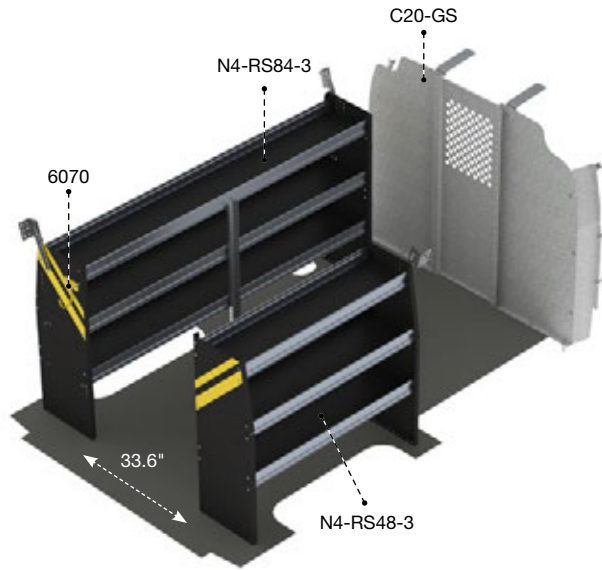
Qty	Part #	Description
1	3320-TC	Max View countoured safety partition
2	62-U5070	Partskeeper carry case with holder
1	6070	6" Hook, 3" opening, painted
3	62-U1112	12" Deep plastic bin
6	62-U1114	14" Deep plastic bin
1	62-UDR12	Set of 5 dividers for a 12" shelf
1	62-UDR14	Set of 5 dividers for a 14" shelf
1	77-U1036	Adjustable shelving door unit - 33" W - for 36" & 72" shelves
2	T4-RA36-3	Aluminum shelving unit for Transit Connect 14" D x 36" W x 41.5" H

TCL-27 ALUMINUM

Aluminum	120.5"	Standard
240 lbs	6 hrs	Yes



Qty	Part #	Description
1	3320-TC	Max View countoured safety partition
1	5011	Partslider 36" D
1	5021	Tool drawer 36" D x 14" W x 16" H
1	5051	Top edge
2	62-U5070	Partskeeper carry case with holder
1	6070	6" Hook, 3" opening, painted
3	62-U1114	14" Deep plastic bin
1	62-UDR12	Set of 5 dividers for a 12" shelf
1	62-UDR14	Set of 5 dividers for a 14" shelf
1	77-U1036	Adjustable shelving door unit - 33" W - for 36" & 72" shelves
1	T4-RA36-3	Aluminum shelving unit for Transit Connect 14" D x 36" W x 41.5" H
1	T4-RA60-3	Aluminum shelving unit for Transit Connect 14" D x 60" W x 41.5" H

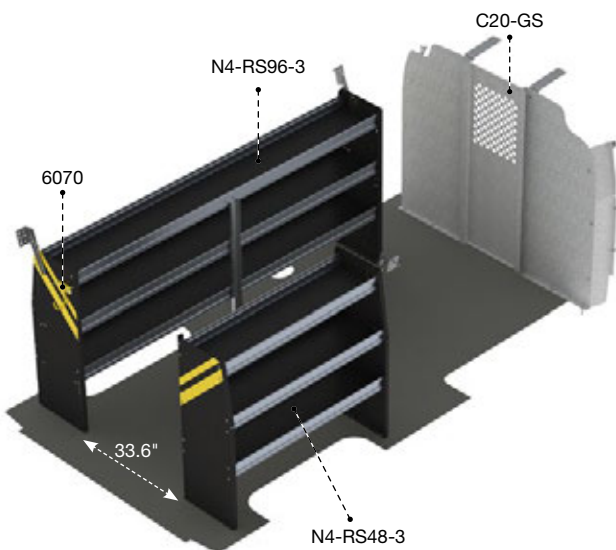


GSR-10 CONTRACTOR

Steel	135"	Standard
203 lbs	3.8 hrs	Yes

Qty	Part	Description
1	6070	6" Hook, 3" opening, painted
1	C20-GS	Straight steel partition with perforated window, no access
1	N4-RS48-3	Steel shelving unit for low roof van 14" D x 48" W x 44.5" H
1	N4-RS84-3	Steel shelving unit for low roof van 14" D x 84" W x 44.5" H

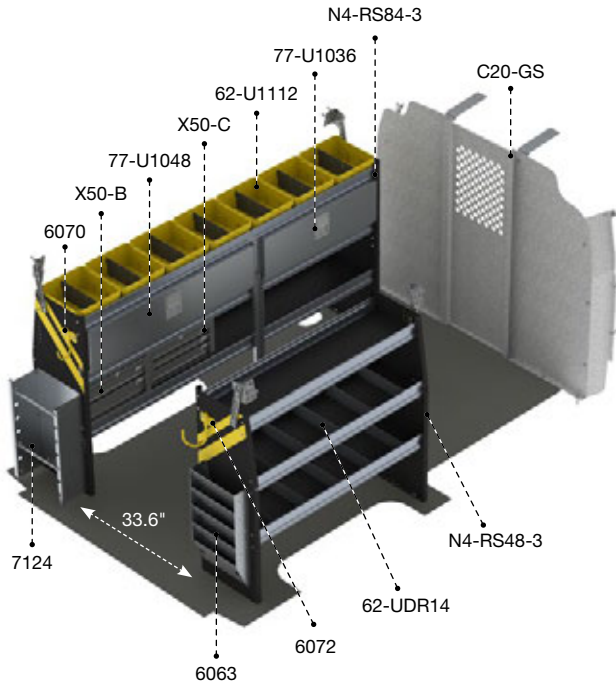
PACKAGES



GSL-10 CONTRACTOR

Steel	155"	Standard
211 lbs	3.8 hrs	Yes

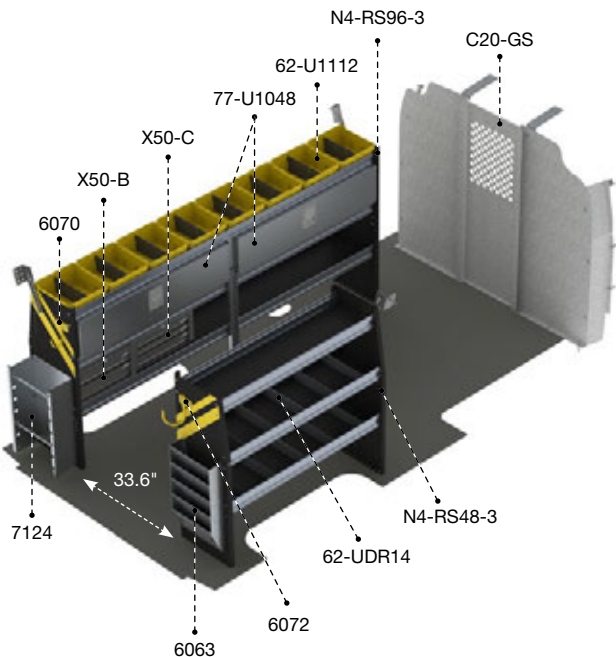
Qty	Part	Description
1	6070	6" Hook, 3" opening, painted
1	C20-GS	Straight steel partition with perforated window, no access
1	N4-RS48-3	Steel shelving unit for low roof van 14" D x 48" W x 44.5" H
1	N4-RS96-3	Steel shelving unit for low roof van 14" D x 96" W x 44.5" H



GSR-11 ELECTRICAL

Steel	135"	Standard
311 lbs	6.3 hrs	Yes

Qty	Part	Description
1	6063	Paper holder, extra deep, 5 slots
1	6070	6" Hook, 3" opening, painted
1	6072	8" Swivel hook, 4" opening, painted
1	7124	Reel holder with two 5/8" diameter rods
7	62-U1112	12" deep plastic bin
2	62-UDR14	Set of 5 dividers for a 14" Shelf
1	77-U1036	Adjustable shelving door unit - 33" W - for 36" & 72" shelves
1	77-U1048	Adjustable shelving door unit - 45" W - for 48" & 96" shelves
1	C20-GS	Straight steel partition with perforated window, no access
1	N4-RS48-3	Steel shelving unit for low roof van 14" D x 48" W x 44.5" H
1	N4-RS84-3	Steel shelving unit for low roof van 14" D x 84" W x 44.5" H
1	X50-B	Compact 2-drawer unit
1	X50-C	Compact 3-drawer unit



GSL-11 ELECTRICAL

Steel	155"	Standard
322 lbs	6.3 hrs	Yes

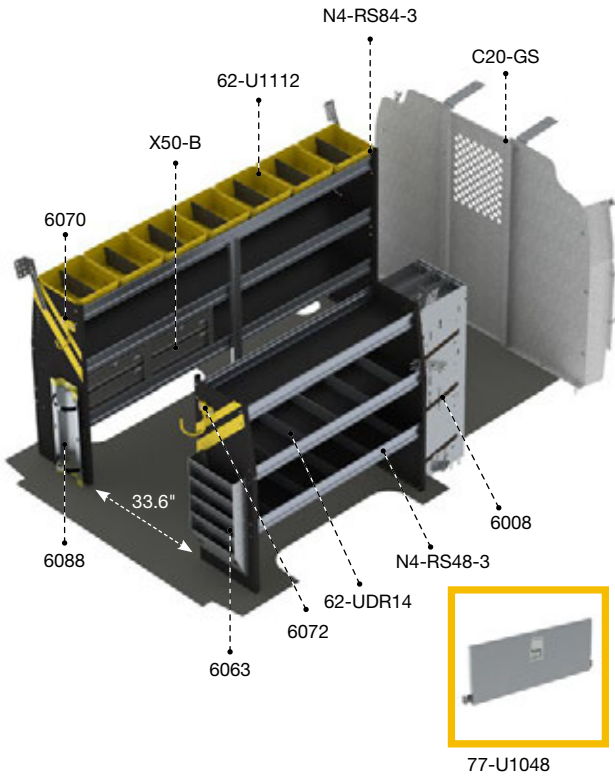
Qty	Part	Description
1	6063	Paper holder, extra deep, 5 slots
1	6070	6" Hook, 3" opening, painted
1	6072	8" Swivel hook, 4" opening, painted
1	7124	Reel holder with two 5/8" diameter rods
8	62-U1112	12" deep plastic bin
2	62-UDR14	Set of 5 dividers for a 14" Shelf
2	77-U1048	Adjustable shelving door unit - 45" W - for 48" & 96" shelves
1	C20-GS	Straight steel partition with perforated window, no access
1	N4-RS48-3	Steel shelving unit for low roof van 14" D x 48" W x 44.5" H
1	N4-RS96-3	Steel shelving unit for low roof van 14" D x 96" W x 44.5" H
1	X50-B	Compact 2-drawer unit
1	X50-C	Compact 3-drawer unit



HVAC **GSR-12**

GMC SAVANA





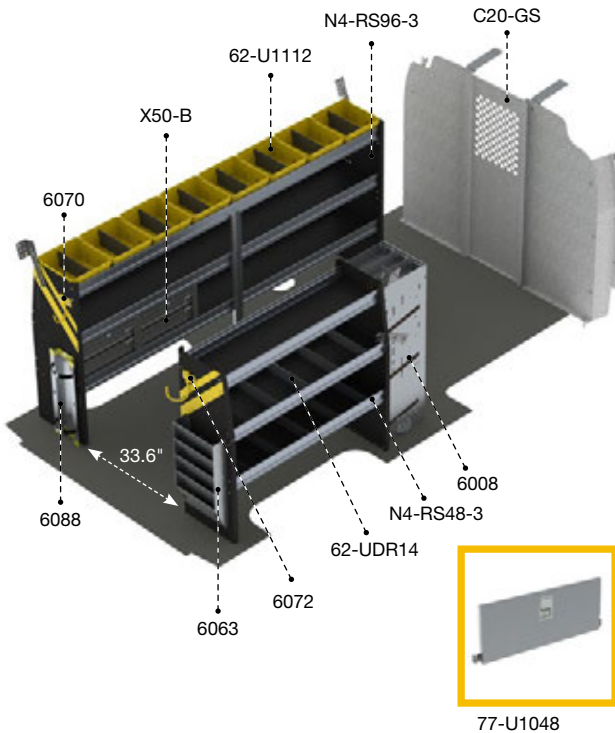
GSR-12 HVAC

	Steel		135"		Standard
	320 lbs		6.1 hrs		Yes

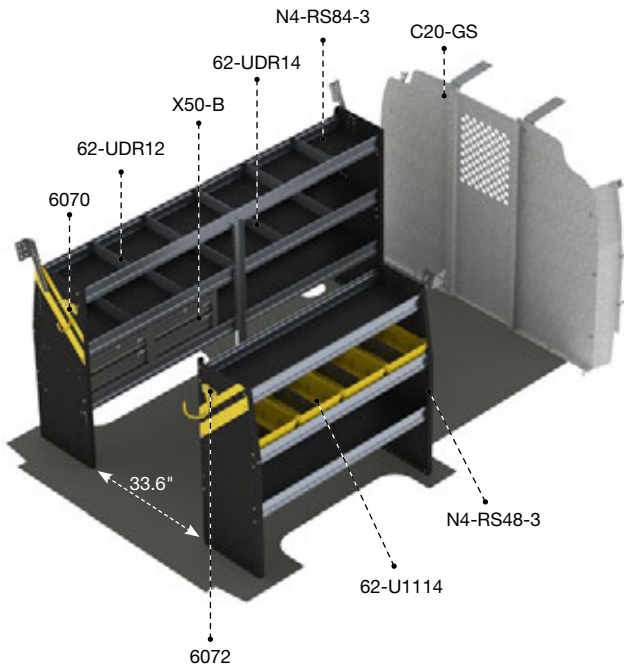
Qty	Part	Description
1	6008	3 Tier refrigerant rack for large bottles
1	6063	Paper holder, extra deep, 5 slots
1	6070	6" Hook, 3" opening, painted
1	6072	8" Swivel hook, 4" opening, painted
1	6088	Large aluminum bottle holder, with two black nylon straps
7	62-U1112	12" deep plastic bin
2	62-UDR14	Set of 5 dividers for a 14" Shelf
1	77-U1048	Adjustable shelving door unit - 45" W - for 48" & 96" shelves
1	C20-GS	Straight steel partition with perforated window, no access
1	N4-RS48-3	Steel shelving unit for low roof van 14" D x 48" W x 44.5" H
1	N4-RS84-3	Steel shelving unit for low roof van 14" D x 84" W x 44.5" H
2	X50-B	Compact 2-drawer unit

GSL-12 HVAC

	Steel		155"		Standard
	330 lbs		6.1 hrs		Yes



Qty	Part	Description
1	6008	3 Tier refrigerant rack for large bottles
1	6063	Paper holder, extra deep, 5 slots
1	6070	6" Hook, 3" opening, painted
1	6072	8" Swivel hook, 4" opening, painted
1	6088	Large aluminum bottle holder, with two black nylon straps
8	62-U1112	12" deep plastic bin
2	62-UDR14	Set of 5 dividers for a 14" Shelf
1	77-U1048	Adjustable shelving door unit - 45" W - for 48" & 96" shelves
1	C20-GS	Straight steel partition with perforated window, no access
1	N4-RS48-3	Steel shelving unit for low roof van 14" D x 48" W x 44.5" H
1	N4-RS96-3	Steel shelving unit for low roof van 14" D x 96" W x 44.5" H
2	X50-B	Compact 2-drawer unit

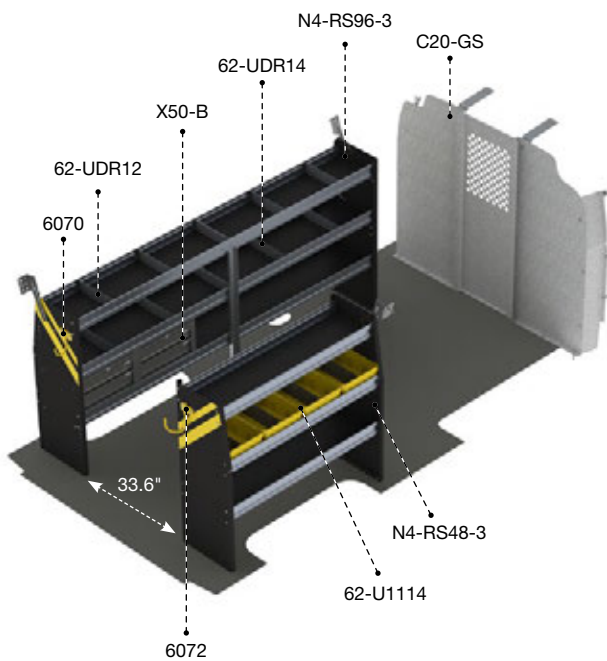


GSR-16 SERVICE

Steel	135"	Standard
270 lbs	4.6 hrs	Yes

Qty	Part	Description
1	6070	6" Hook, 3" opening, painted
1	6072	8" Swivel hook, 4" opening, painted
4	62-U1114	14" deep plastic bin
1	62-UDR12	Set of 5 dividers for a 12" Shelf
1	62-UDR14	Set of 5 dividers for a 14" Shelf
1	C20-GS	Straight steel partition with perforated window, no access
1	N4-RS48-3	Steel shelving unit for low roof van 14" D x 48" W x 44.5" H
1	N4-RS84-3	Steel shelving unit for low roof van 14" D x 84" W x 44.5" H
2	X50-B	Compact 2-drawer unit

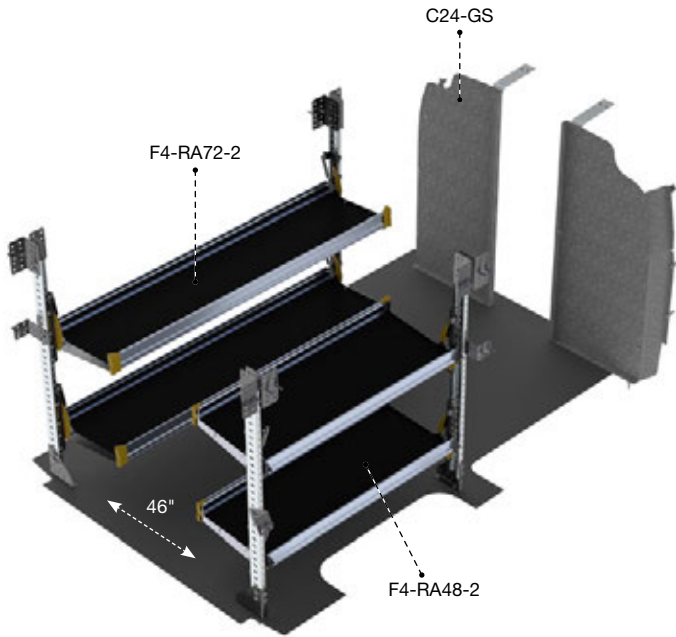
PACKAGES



GSL-16 SERVICE

Steel	155"	Standard
278 lbs	4.6 hrs	Yes

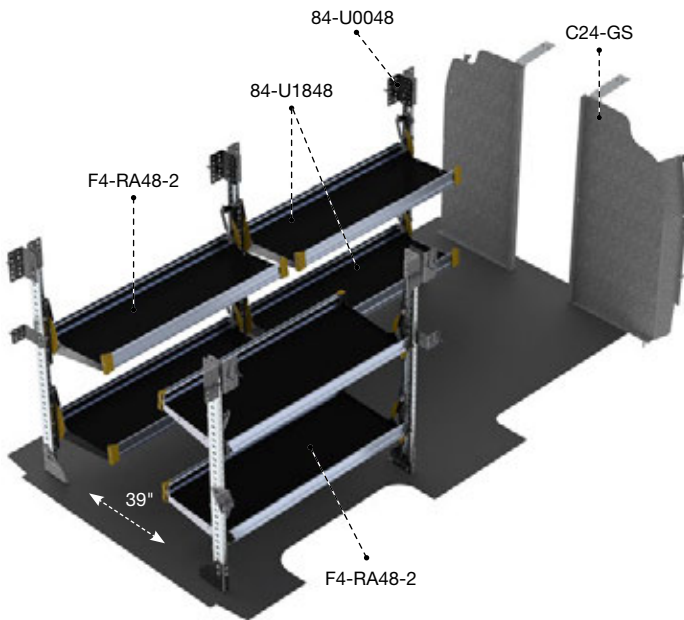
Qty	Part	Description
1	6070	6" Hook, 3" opening, painted
1	6072	8" Swivel hook, 4" opening, painted
4	62-U1114	14" deep plastic bin
1	62-UDR12	Set of 5 dividers for a 12" Shelf
1	62-UDR14	Set of 5 dividers for a 14" Shelf
1	C20-GS	Straight steel partition with perforated window, no access
1	N4-RS48-3	Steel shelving unit for low roof van 14" D x 48" W x 44.5" H
1	N4-RS96-3	Steel shelving unit for low roof van 14" D x 96" W x 44.5" H
2	X50-B	Compact 2-drawer unit



GSR-19 DELIVERY

Aluminum	135"	Standard
195 lbs	4.2 hrs	Yes

Qty	Part	Description
1	C24-GS	Straight walk through steel partition
1	F4-RA72-2	Fold-away unit, 2 levels, 22" D x 72" W x 47" H
1	F4-RA48-2	Fold-away unit, 2 levels, 22" D x 48" W x 47" H



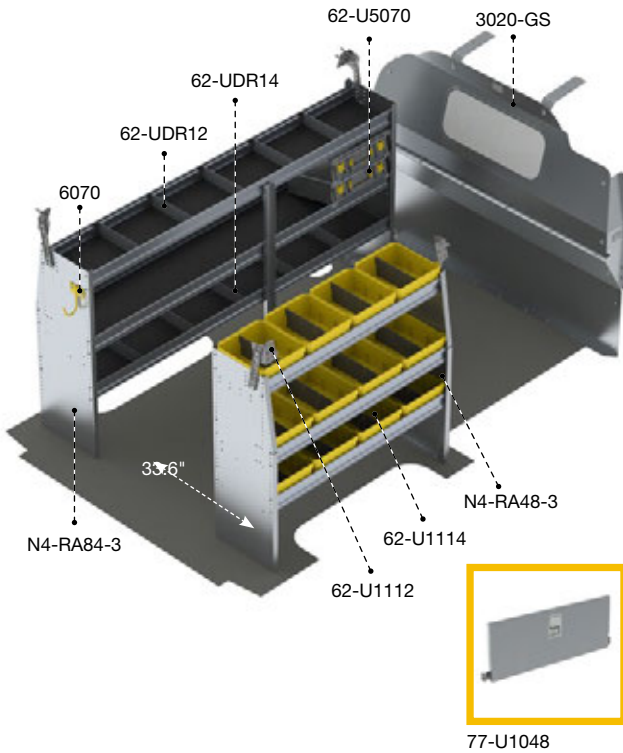
GSL-19 DELIVERY

Aluminum	155"	Standard
239 lbs	5.3 hrs	Yes

Qty	Part	Description
1	84-U0048	Post assembly for fold-away shelving, 48"
2	84-U1848	Fold-away shelf tray, 18" D x 48" W
1	C24-GS	Straight walk through steel partition
2	F4-RA48-2	Fold-away unit, 2 levels, 22" D x 48" W x 47" H



GMC SAVANA

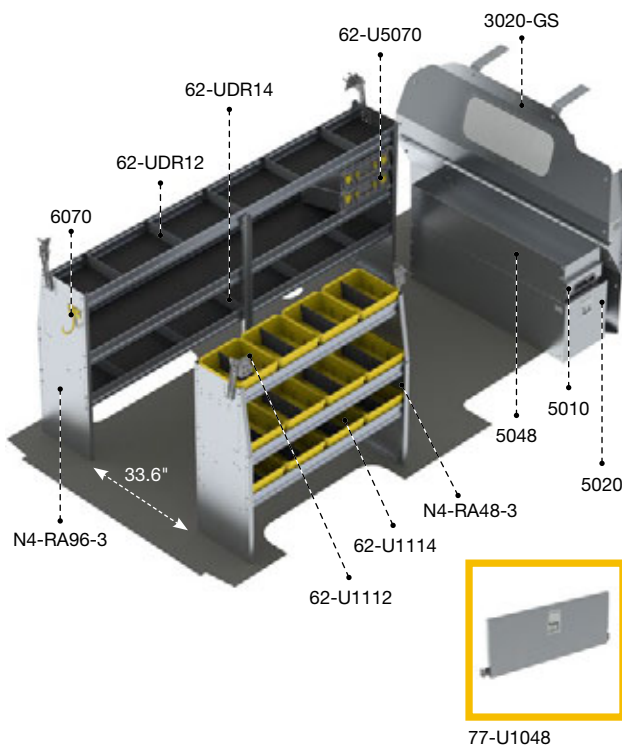


GSR-27 ALUMINUM

Aluminum	135"	Standard
224 lbs	4.4 hrs	Yes

Qty	Part	Description
1	3020-GS	Countoured safety partition with glass window
2	62-U5070	Partskeeper carry case with holder
1	6070	6" Hook, 3" opening, painted
4	62-U1112	12" deep plastic bin
8	62-U1114	14" deep plastic bin
1	62-UDR12	Set of 5 dividers for a 12" Shelf
1	62-UDR14	Set of 5 dividers for a 14" Shelf
1	77-U1048	Adjustable shelving door unit - 45" W - for 48" & 96" shelves
1	N4-RA48-3	Aluminum shelving unit for low roof van 14" D x 48" W x 44.5" H
1	N4-RA84-3	Aluminum shelving unit for low roof van 14" D x 84" W x 44.5" H

PACKAGES



GSL-27 ALUMINUM

Aluminum	155"	Standard
339 lbs	6.1 hrs	Yes

Qty	Part	Description
1	3020-GS	Countoured safety partition with glass window
1	5010	Partslider drawer 48" D
1	5020	Tool Drawer 48" D x 14" W x 16" H
1	5048	Top edge
2	62-U5070	Partskeeper carry case with holder
1	6070	6" Hook, 3" opening, painted
4	62-U1112	12" deep plastic bin
8	62-U1114	14" deep plastic bin
1	62-UDR12	Set of 5 dividers for a 12" Shelf
1	62-UDR14	Set of 5 dividers for a 14" Shelf
1	77-U1048	Adjustable shelving door unit - 45" W - for 48" & 96" shelves
1	N4-RA48-3	Aluminum shelving unit for low roof van 14" D x 48" W x 44.5" H
1	N4-RA96-3	Aluminum shelving unit for low roof van 14" D x 96" W x 44.5" H

MERCEDES-BENZ METRIS



PACKAGES

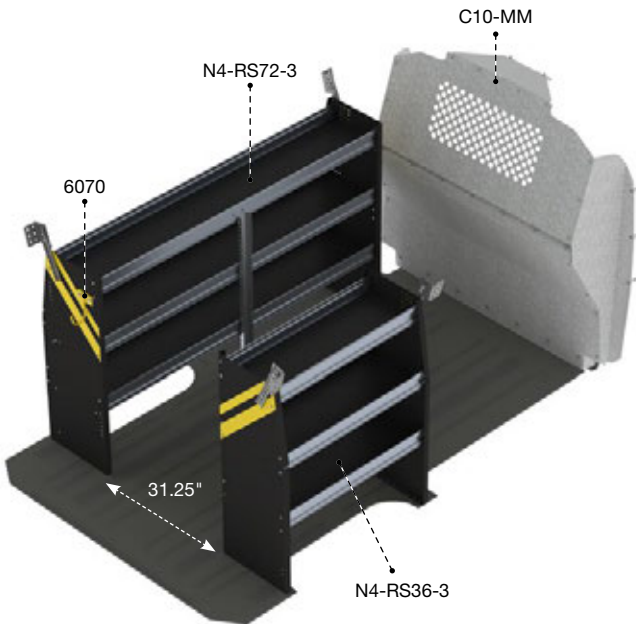


MMR-10 CONTRACTOR

Steel	126", 135"	Standard
164 lbs	3.2 hrs	Yes

Qty	Part #	Description
1	6070	6" Hook, 3" opening, painted
1	C10-MM	Contoured steel partition with perforated window
2	N4-RS36-3	Steel shelving unit for low roof van 14" D x 36" W x 46.5" H

The Base package is designed to fit in a Metris with dual sliding doors.



MML-10 CONTRACTOR

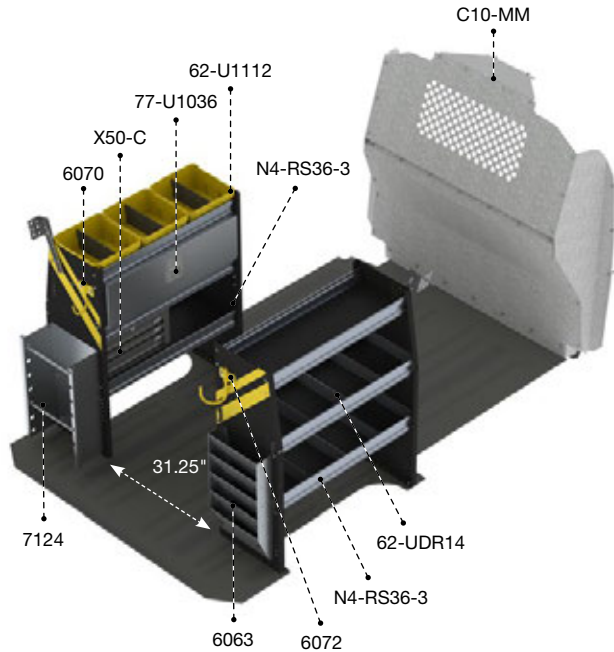
Steel	126", 135"	Standard
189 lbs	3.3 hrs	Yes

Qty	Part #	Description
1	6070	6" Hook, 3" opening, painted
1	C10-MM	Contoured steel partition with perforated window
1	N4-RS36-3	Steel shelving unit for low roof van 14" D x 36" W x 46.5" H
1	N4-RS72-3	Steel shelving unit for low roof van 14" D x 72" W x 46.5" H

The Deluxe package is designed to fit in a Metris with a single sliding door.



MERCEDES-BENZ METRIS

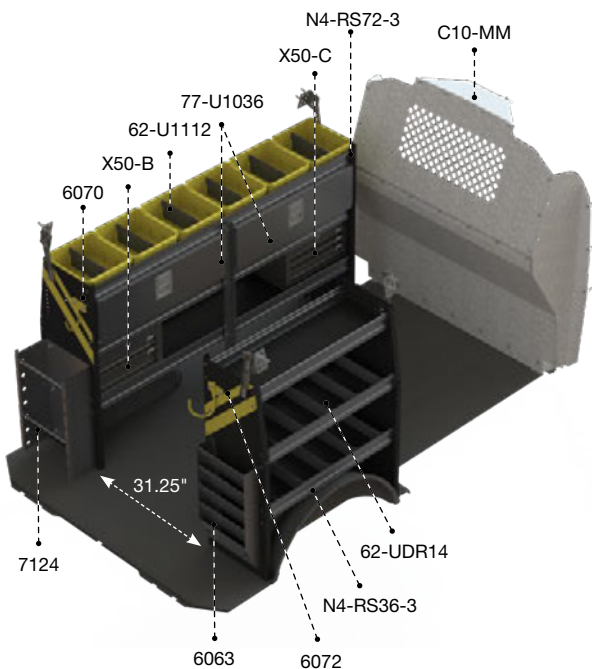


MMR-11
ELECTRICAL

Steel	126", 135"	Standard
229 lbs	4.9 hrs	Yes

Qty	Part #	Description
1	6063	Paper holder, extra deep, 5 slots
1	6070	6" Hook, 3" opening, painted
1	6072	8" Swivel hook, 4" opening, painted
3	62-U1112	12" Deep plastic bin
2	62-UDR14	Set of 5 dividers for a 14" shelf
1	7124	Reel holder with two 5/8" diameter rods
1	77-U1036	Adjustable shelving door unit - 33" W - for 36" & 72" shelves
1	C10-MM	Contoured steel partition with perforated window
2	N4-RS36-3	Steel shelving unit for low roof van 14" D x 36" W x 46.5" H
1	X50-C	Compact 3-drawer unit

The Base package is designed to fit in a Metris with dual sliding doors.

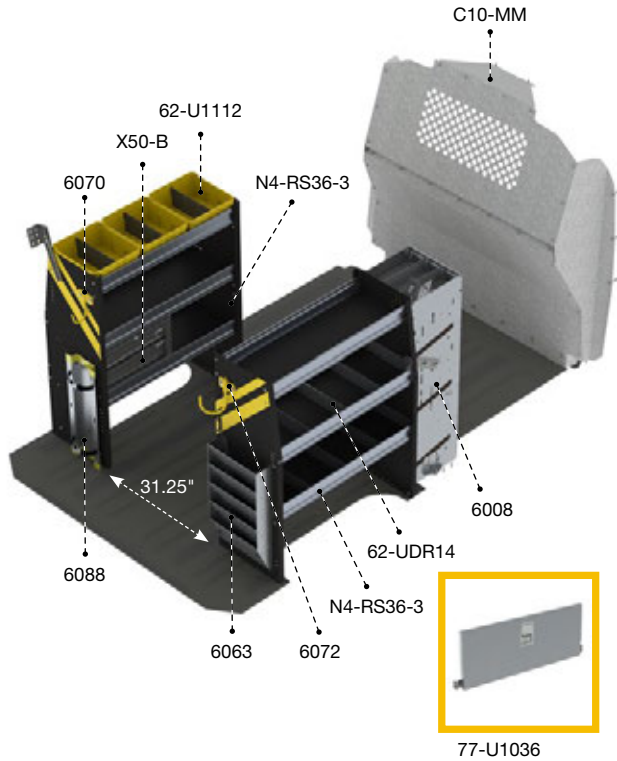


MML-11
ELECTRICAL

Steel	126", 135"	Standard
293 lbs	5.8 hrs	Yes

Qty	Part #	Description
1	6063	Paper holder, extra deep, 5 slots
1	6070	6" Hook, 3" opening, painted
1	6072	8" Swivel hook, 4" opening, painted
6	62-U1112	12" Deep plastic bin
2	62-UDR14	Set of 5 dividers for a 14" shelf
1	7124	Reel holder with two 5/8" diameter rods
2	77-U1036	Adjustable shelving door unit - 33" W - for 36" & 72" shelves
1	C10-MM	Contoured steel partition with perforated window
1	N4-RS36-3	Steel shelving unit for low roof van 14" D x 36" W x 44.5" H
1	N4-RS72-3	Steel shelving unit for low roof van 14" D x 72" W x 44.5" H
1	X50-B	Compact 2-drawer unit
1	X50-C	Compact 3-drawer unit

The Deluxe package is designed to fit in a Metris with a single sliding door.

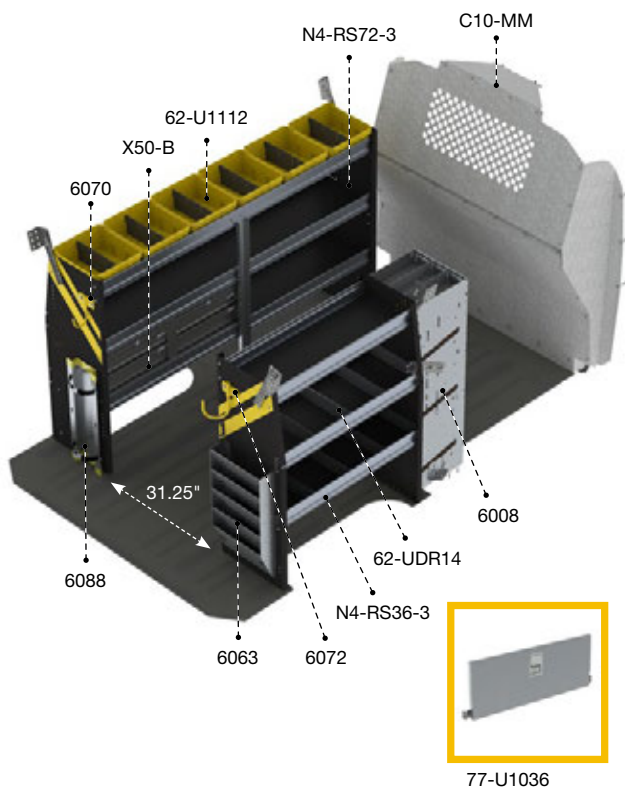


MMR-12 HVAC

	Steel		126", 135"		Standard
	246 lbs		5.2 hrs		Yes

Qty	Part #	Description
1	6008	3 Tier refrigerant rack for large bottles
1	6063	Paper holder, extra deep, 5 slots
1	6070	6" Hook, 3" opening, painted
1	6072	8" Swivel hook, 4" opening, painted
1	6088	Large aluminum bottle holder, with two black nylon straps
3	62-U1112	12" deep plastic bin
2	62-UDR14	Set of 5 dividers for a 14" Shelf
1	77-U1036	Adjustable shelving door unit - 33" W - for 36" & 72" shelves
1	C10-MM	Contoured steel partition with perforated window
2	N4-RS36-3	Steel shelving unit for low roof van 14" D x 36" W x 44.5" H
1	X50-B	2 Drawer Cabinet

The Base package is designed to fit in a Metris with dual sliding doors.



MML-12 HVAC

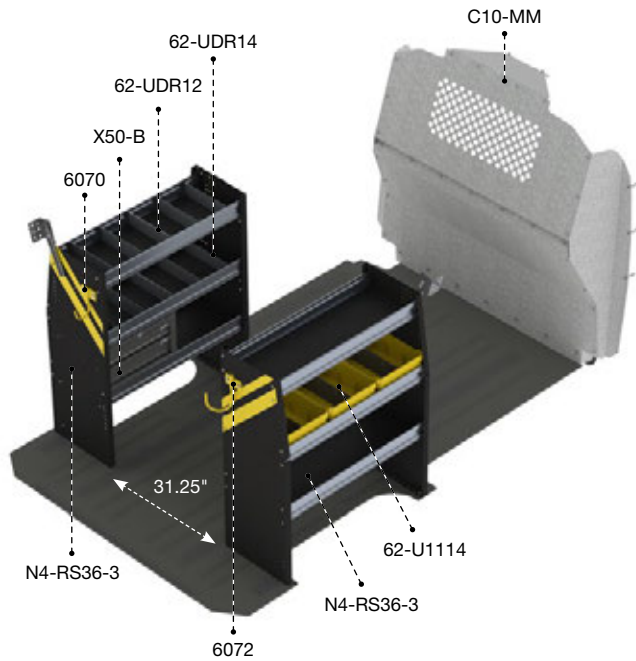
	Steel		126", 135"		Standard
	303 lbs		5.6 hrs		Yes

Qty	Part #	Description
1	6008	3 Tier refrigerant rack for large bottles
1	6063	Paper holder, extra deep, 5 slots
1	6070	6" Hook, 3" opening, painted
1	6072	8" Swivel hook, 4" opening, painted
1	6088	Large aluminum bottle holder, with two black nylon straps
6	62-U1112	12" deep plastic bin
2	62-UDR14	Set of 5 dividers for a 14" Shelf
1	77-U1036	Adjustable shelving door unit - 33" W - for 36" & 72" shelves
1	C10-MM	Contoured steel partition with perforated window
1	N4-RS36-3	Steel shelving unit for low roof van 14" D x 36" W x 44.5" H
1	N4-RS72-3	Steel shelving unit for low roof van 14" D x 72" W x 44.5" H
2	X50-B	2 Drawer Cabinet

The Deluxe package is designed to fit in a Metris with a single sliding door.



MERCEDES-BENZ **METRIS**

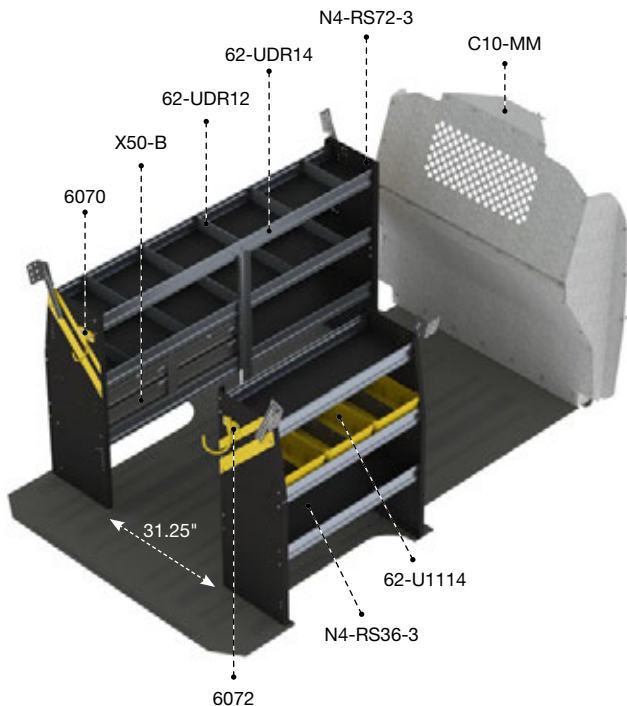


MMR-16
SERVICE

	Steel		126", 135"		Standard
	203 lbs		3.7 hrs		Yes

Qty	Part #	Description
1	6070	6" Hook, 3" opening, painted
1	6072	8" Swivel hook, 4" opening, painted
3	62-U1114	14" Deep plastic bin
1	62-UDR12	Set of 5 dividers for a 12" shelf
1	62-UDR14	Set of 5 dividers for a 14" shelf
1	C10-MM	Contoured steel partition with perforated window
2	N4-RS36-3	Steel shelving unit for low roof van 14" D x 36" W x 44.5" H
1	X50-B	Compact 2-drawer unit

The Base package is designed to fit in a Metris with dual sliding doors.



MML-16
SERVICE

	Steel		126", 135"		Standard
	254 lbs		4.1 hrs		Yes

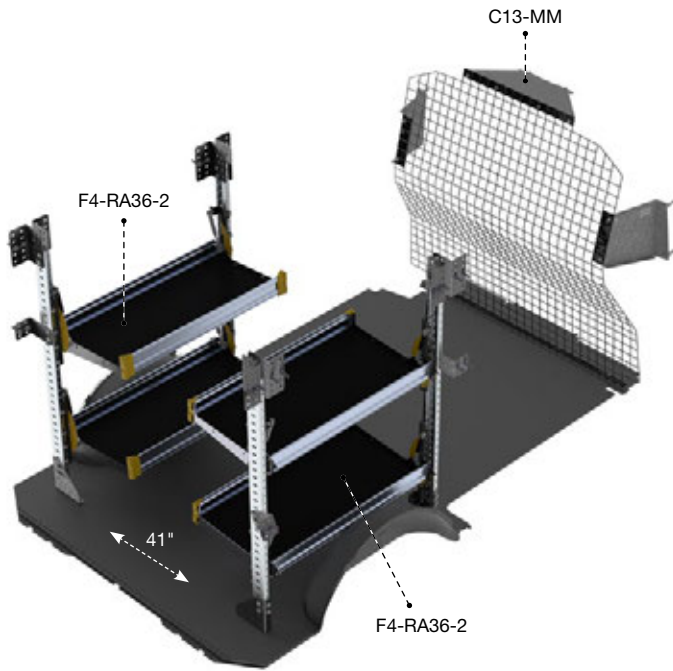
Qty	Part #	Description
1	6070	6" Hook, 3" opening, painted
1	6072	8" Swivel hook, 4" opening, painted
3	62-U1114	14" Deep plastic bin
1	62-UDR12	Set of 5 dividers for a 12" shelf
1	62-UDR14	Set of 5 dividers for a 14" shelf
1	C10-MM	Contoured steel partition with perforated window
1	N4-RS36-3	Steel shelving unit for low roof van 14" D x 36" W x 44.5" H
1	N4-RS72-3	Steel shelving unit for low roof van 14" D x 72" W x 44.5" H
2	X50-B	Compact 2-drawer unit

The Deluxe package is designed to fit in a Metris with a single sliding door.

MERCEDES-BENZ METRIS



PACKAGES



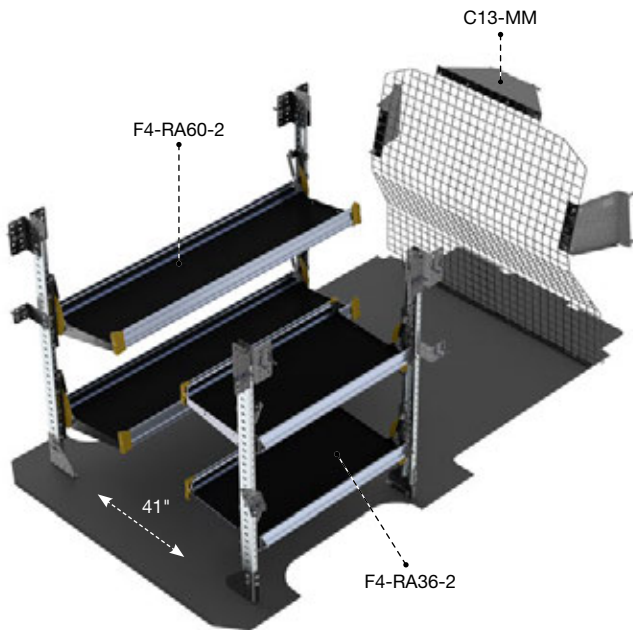
MMR-19

DELIVERY

Aluminum	126", 135"	Standard
159 lbs	4.4 hrs	Yes

Qty	Part #	Description
1	C13-MM	Wire mesh partition
2	F4-RA36-2	Fold-away unit, 2 levels, 22" D x 36" W x 47" H

The Base package is designed to fit in a Metris with dual sliding doors.



MML-19

DELIVERY

Aluminum	126", 135"	Standard
171 lbs	4.4 hrs	Yes

Qty	Part #	Description
1	C13-MM	Wire mesh partition
1	F4-RA60-2	Fold-away unit, 2 levels, 22" D x 60" W x 47" H
1	F4-RA36-2	Fold-away unit, 2 levels, 22" D x 36" W x 47" H

The Deluxe package is designed to fit in a Metris with a single sliding door.



ALUMINUM **MML-27**

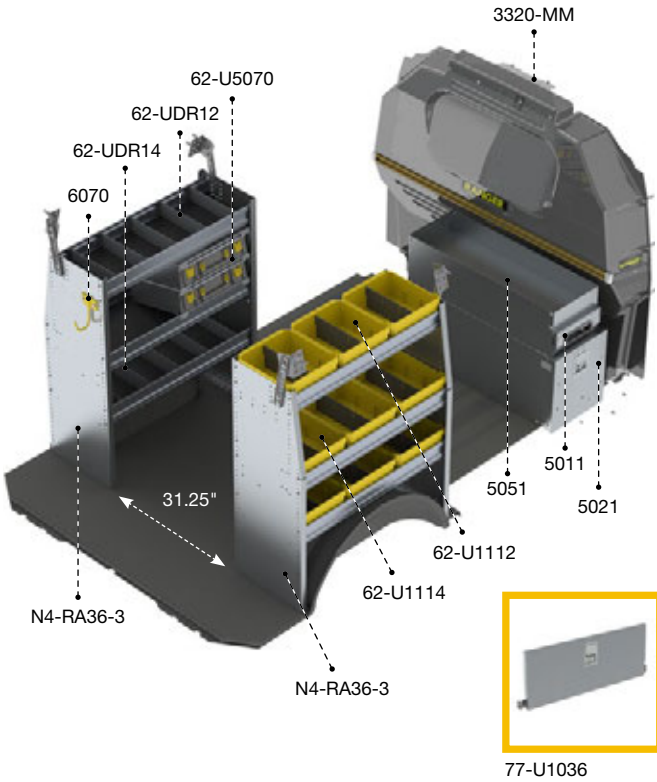
MERCEDES-BENZ METRIS



MERCEDES-BENZ METRIS



PACKAGES

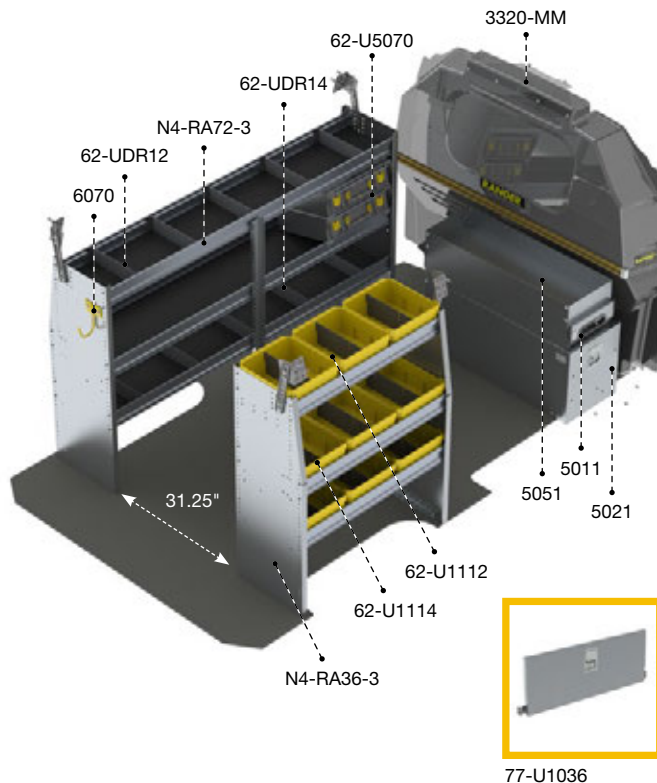


MMR-27 ALUMINUM

	Aluminum		126", 135"		Standard
	252 lbs		6.2 hrs		Yes

Qty	Part #	Description
1	3320-MM	Max view contoured safety partition
1	5011	Partslider 36" D
1	5021	Tool drawer 36" D x 14" W x 16" H
1	5051	Top edge
2	62-U5070	Partskeeper carry case with holder
1	6070	6" Hook, 3" opening, painted
3	62-U1112	14" Deep plastic bin
6	62-U1114	14" Deep plastic bin
1	62-UDR12	Set of 5 dividers for a 12" shelf
1	62-UDR14	Set of 5 dividers for a 14" shelf
1	77-U1036	Adjustable shelving door unit - 33" W - for 36" & 72" shelves
2	N4-RA36-3	Aluminum shelving unit for low roof van 14" D x 36" W x 44.5" H

The Base package is designed to fit in a Metris with dual sliding doors.



MML-27 ALUMINUM

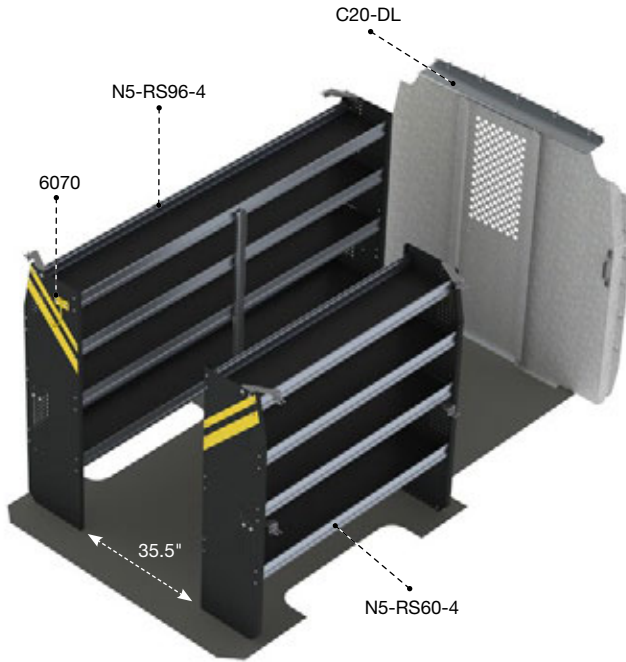
	Aluminum		126", 135"		Standard
	276 lbs		6.3 hrs		Yes

Qty	Part #	Description
1	3320-MM	Max view contoured safety partition
1	5011	Partslider 36" D
1	5021	Tool drawer 36" D x 14" W x 16" H
1	5051	Top edge
2	62-U5070	Partskeeper carry case with holder
1	6070	6" Hook, 3" opening, painted
3	62-U1112	12" Deep plastic bin
6	62-U1114	14" Deep plastic bin
1	62-UDR12	Set of 5 dividers for a 12" shelf
1	62-UDR14	Set of 5 dividers for a 14" shelf
1	77-U1036	Adjustable shelving door unit - 33" W - for 36" & 72" shelves
1	N4-RA36-3	Aluminum shelving unit for low roof van 14" D x 36" W x 44.5" H
1	N4-RA72-3	Aluminum shelving unit for low roof van 14" D x 72" W x 44.5" H

The Deluxe package is designed to fit in a Metris with a single sliding door.



MERCEDES-BENZ **SPRINTER**

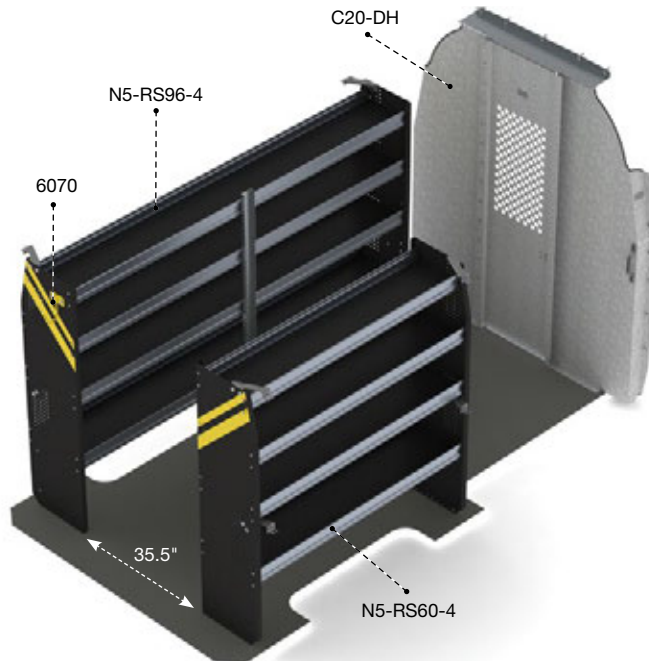


DLS-10
CONTRACTOR

Steel	144"	Low Roof
291 lbs	3.8 hrs	Yes

Qty	Part #	Description
1	6070	6" Hook, 3" opening, painted
1	C20-DL	Straight partition with perforated window, no access
1	N5-RS60-4	Steel shelving unit for high roof van, 14" D x 60" W x 62" H
1	N5-RS96-4	Steel shelving unit for high roof van, 14" D x 96" W x 62" H

PACKAGES



DHS-10
CONTRACTOR

Steel	144"	High Roof
300 lbs	3.8 hrs	Yes

Qty	Part #	Description
1	6070	6" Hook, 3" opening, painted
1	C20-DH	Straight partition with perforated window, no access
1	N5-RS60-4	Steel shelving unit for high roof van, 14" D x 60" W x 62" H
1	N5-RS96-4	Steel shelving unit for high roof van, 14" D x 96" W x 62" H



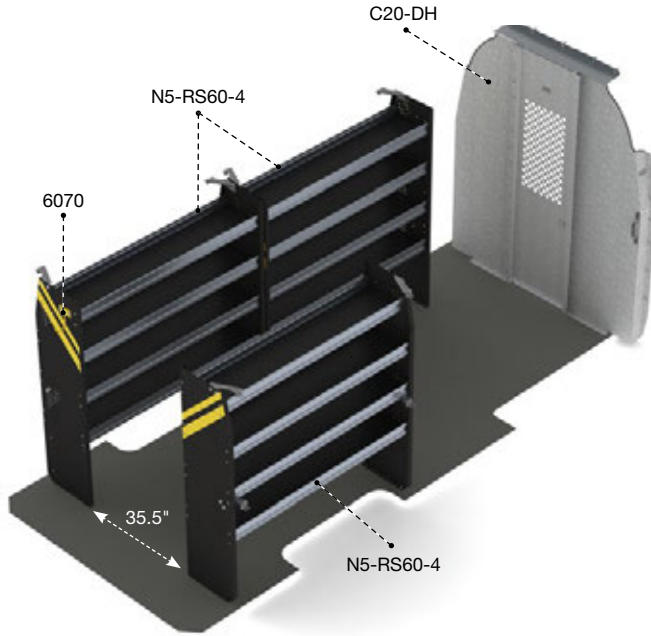
ELECTRICAL
DHS-11

MERCEDES-BENZ **SPRINTER**





MERCEDES-BENZ SPRINTER

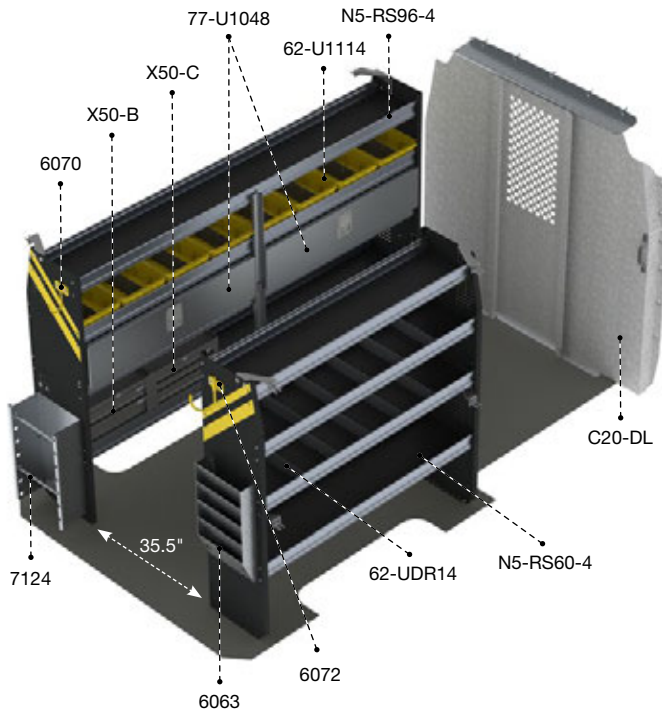


DHL-10 CONTRACTOR

Steel	170", 170" Ext.	High Roof
355 lbs	4.8 hrs	Yes

Qty	Part #	Description
1	6070	6" Hook, 3" opening, painted
1	C20-DH	Straight partition with perforated window, no access
3	N5-RS60-4	Steel shelving unit for high roof van, 14" D x 60" W x 62" H

PACKAGES



DLS-11 ELECTRICAL

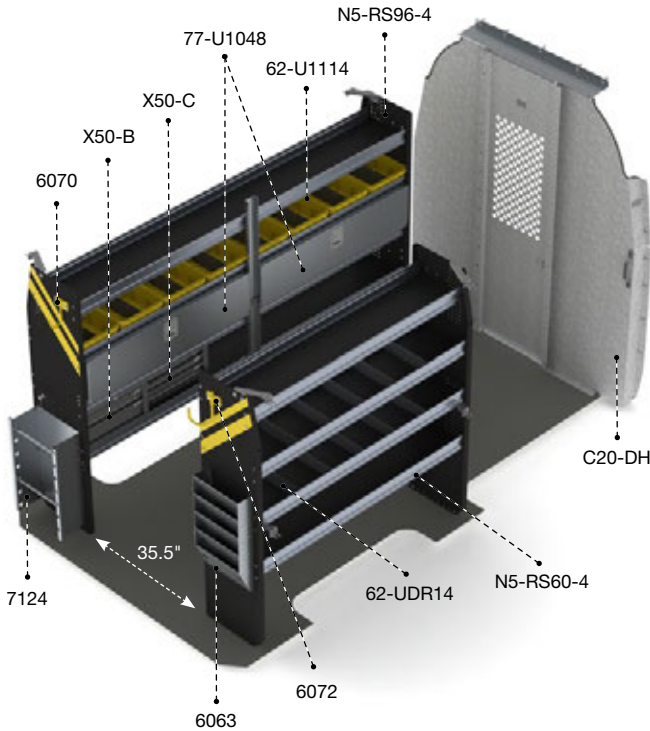
Steel	144"	Low Roof
404 lbs	6.3 hrs	Yes

Qty	Part #	Description
1	6063	Paper holder, extra deep, 5 slots
1	6070	6" Hook, 3" opening, painted
1	6072	8" Swivel hook, 4" opening, painted
8	62-U1114	14" Deep plastic bin
2	62-UDR14	Set of 5 dividers for a 14" shelf
1	7124	Reel holder with two 5/8" diameter rods
2	77-U1048	Adjustable shelving door unit - 45" W - for 48" & 96" shelves
1	C20-DL	Straight partition with perforated window, no access
1	N5-RS60-4	Steel shelving unit for high roof van, 14" D x 60" W x 62" H
1	N5-RS96-4	Steel shelving unit for high roof van, 14" D x 96" W x 62" H
1	X50-B	Compact 2-drawer unit
1	X50-C	Compact 3-drawer unit

MERCEDES-BENZ SPRINTER



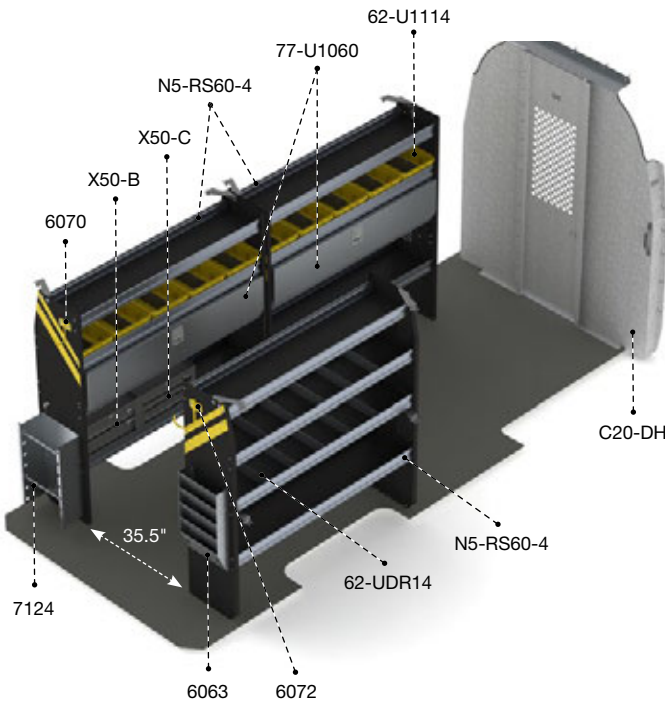
PACKAGES



DHS-11 ELECTRICAL

	Steel		144"		High Roof
	413 lbs		6.3 hrs		Yes

Qty	Part #	Description
1	6063	Paper holder, extra deep, 5 slots
1	6070	6" Hook, 3" opening, painted
1	6072	8" Swivel hook, 4" opening, painted
8	62-U1114	14" Deep plastic bin
2	62-UDR14	Set of 5 dividers for a 14" shelf
1	7124	Reel holder with two 5/8" diameter rods
2	77-U1048	Adjustable shelving door unit - 45" W - for 48" & 96" shelves
1	C20-DH	Straight partition with perforated window, no access
1	N5-RS60-4	Steel shelving unit for high roof van, 14" D x 60" W x 62" H
1	N5-RS96-4	Steel shelving unit for high roof van, 14" D x 96" W x 62" H
1	X50-B	Compact 2-drawer unit
1	X50-C	Compact 3-drawer unit



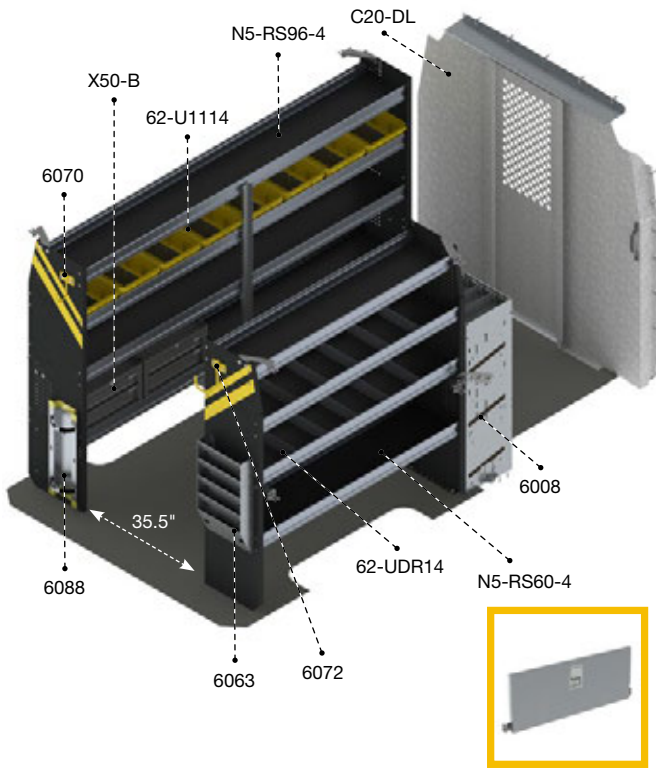
DHL-11 ELECTRICAL

	Steel		170", 170" Ext.		High Roof
	475 lbs		7.3 hrs		Yes

Qty	Part #	Description
1	6063	Paper holder, extra deep, 5 slots
1	6070	6" Hook, 3" opening, painted
1	6072	8" Swivel hook, 4" opening, painted
10	62-U1114	14" Deep plastic bin
2	62-UDR14	Set of 5 dividers for a 14" shelf
1	7124	Reel holder with two 5/8" diameter rods
2	77-U1060	Adjustable shelving door unit - 57" W - for 60" shelves
1	C20-DH	Straight partition with perforated window, no access
3	N5-RS60-4	Steel shelving unit for high roof van, 14" D x 60" W x 62" H
1	X50-B	Compact 2-drawer unit
1	X50-C	Compact 3-drawer unit



MERCEDES-BENZ **SPRINTER**



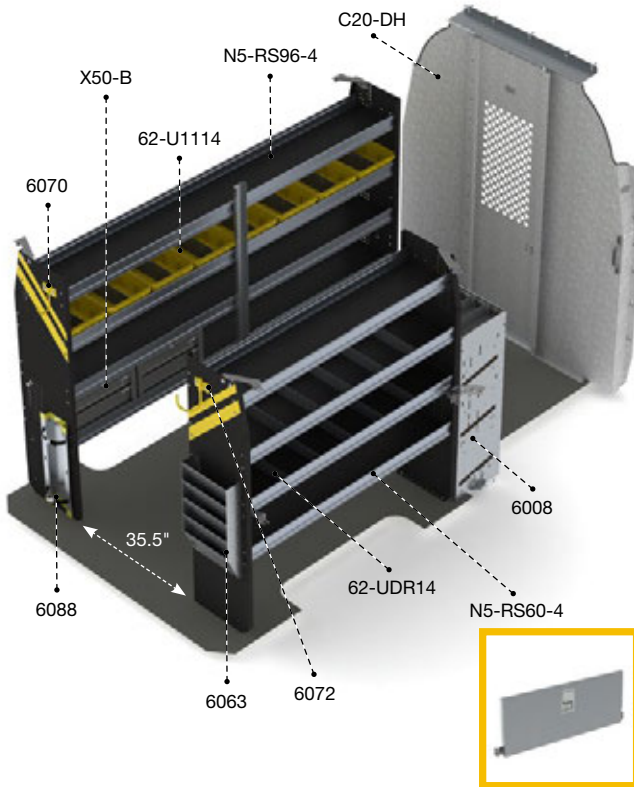
DLS-12

HVAC

Steel	144"	Low Roof
414 lbs	6.1 hrs	Yes

Qty	Part #	Description
1	6008	3 Tier refrigerant rack for large bottles
1	6063	Paper holder, extra deep, 5 slots
1	6070	6" Hook, 3" opening, painted
1	6072	8" Swivel hook, 4" opening, painted
1	6088	Large aluminum bottle holder, with two black nylon straps
8	62-U1114	14" Deep plastic bin
2	62-UDR14	Set of 5 dividers for a 14" shelf
1	77-U1060	Adjustable shelving door unit - 57" W - for 60" shelves
1	C20-DL	Straight partition with perforated window, no access
1	N5-RS60-4	Steel shelving unit for high roof van, 14" D x 60" W x 62" H
1	N5-RS96-4	Steel shelving unit for high roof van, 14" D x 96" W x 62" H
2	X50-B	Compact 2-drawer unit

77-U1060



DHS-12

HVAC

Steel	144"	High Roof
423 lbs	6.1 hrs	Yes

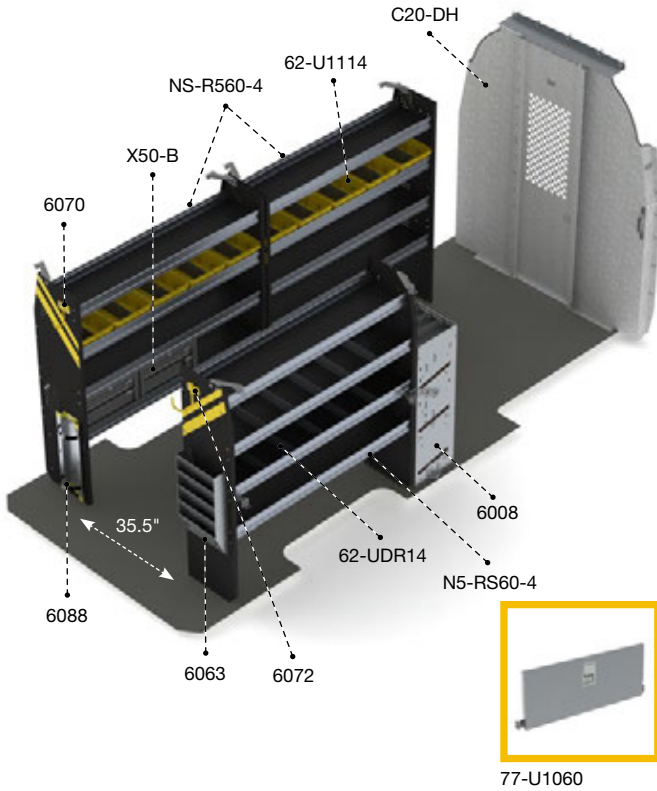
Qty	Part #	Description
1	6008	3 Tier refrigerant rack for large bottles
1	6063	Paper holder, extra deep, 5 slots
1	6070	6" Hook, 3" opening, painted
1	6072	8" Swivel hook, 4" opening, painted
1	6088	Large aluminum bottle holder, with two black nylon straps
8	62-U1114	14" Deep plastic bin
2	62-UDR14	Set of 5 dividers for a 14" shelf
1	77-U1060	Adjustable shelving door unit - 57" W - for 60" shelves
1	C20-DH	Straight partition with perforated window, no access
1	N5-RS60-4	Steel shelving unit for high roof van, 14" D x 60" W x 62" H
1	N5-RS96-4	Steel shelving unit for high roof van, 14" D x 96" W x 62" H
2	X50-B	Compact 2-drawer unit

77-U1060

MERCEDES-BENZ SPRINTER



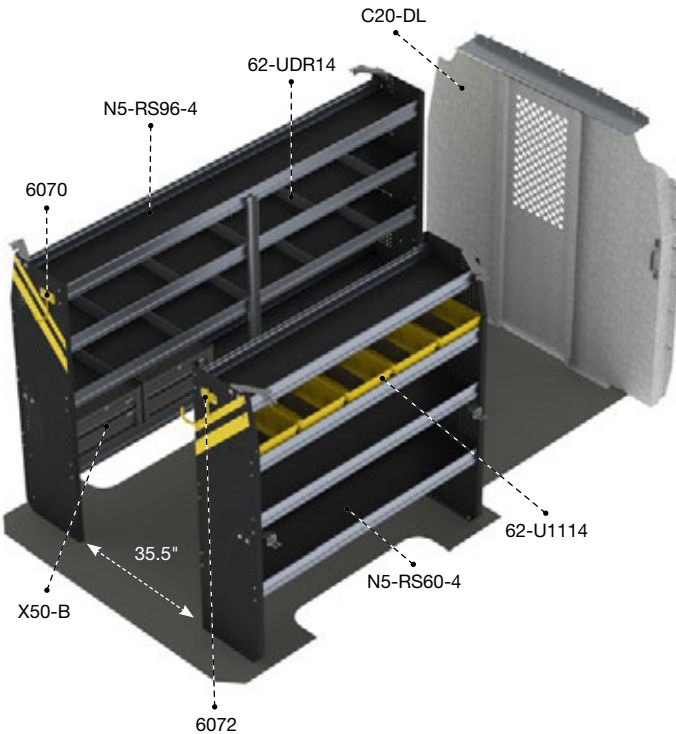
PACKAGES



DHL-12 HVAC

Steel	170", 170" Ext.	High Roof
482 lbs	7.1 hrs	Yes

Qty	Part #	Description
1	6008	3 Tier refrigerant rack for large bottles
1	6063	Paper holder, extra deep, 5 slots
1	6070	6" Hook, 3" opening, painted
1	6072	8" Swivel hook, 4" opening, painted
1	6088	Large aluminum bottle holder, with two black nylon straps
10	62-U1114	14" Deep plastic bin
2	62-UDR14	Set of 5 dividers for a 14" shelf
1	77-U1060	Adjustable shelving door unit - 57" W - for 60" shelves
1	C20-DH	Straight partition with perforated window, no access
3	N5-RS60-4	Steel shelving unit for high roof van, 14" D x 60" W x 62" H
2	X50-B	Compact 2-drawer unit



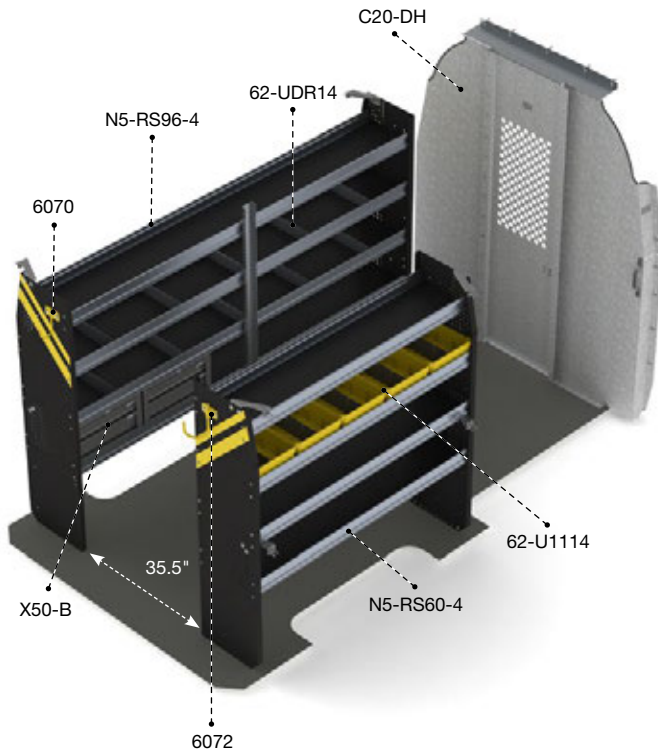
DLS-16 SERVICE

Steel	144"	Low Roof
361 lbs	4.6 hrs	Yes

Qty	Part #	Description
1	6070	6" Hook, 3" opening, painted
1	6072	8" Swivel hook, 4" opening, painted
5	62-U1114	14" Deep plastic bin
2	62-UDR14	Set of 5 dividers for a 14" shelf
1	C20-DL	Straight partition with perforated window, no access
1	N5-RS60-4	Steel shelving unit for high roof van, 14" D x 60" W x 62" H
1	N5-RS96-4	Steel shelving unit for high roof van, 14" D x 96" W x 62" H
2	X50-B	Compact 2-drawer unit



MERCEDES-BENZ **SPRINTER**

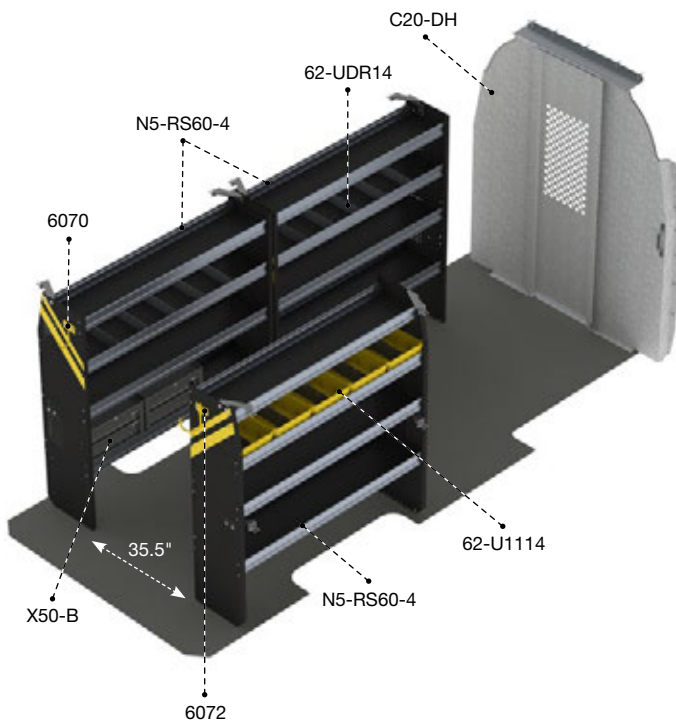


DHS-16
SERVICE

Steel	144"	High Roof
370 lbs	4.6 hrs	Yes

Qty	Part #	Description
1	6070	6" Hook, 3" opening, painted
1	6072	8" Swivel hook, 4" opening, painted
5	62-U1114	14" Deep plastic bin
2	62-UDR14	Set of 5 dividers for a 14" shelf
1	C20-DH	Straight partition with perforated window, no access
1	N5-RS60-4	Steel shelving unit for high roof van, 14" D x 60" W x 62" H
1	N5-RS96-4	Steel shelving unit for high roof van, 14" D x 96" W x 62" H
2	X50-B	Compact 2-drawer unit

PACKAGES



DHL-16
SERVICE

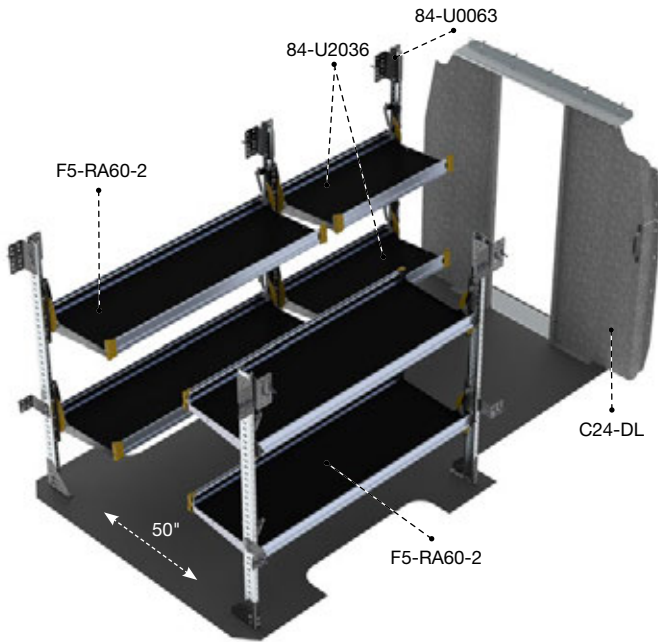
Steel	170", 170" Ext.	High Roof
425 lbs	5.6 hrs	Yes

Qty	Part #	Description
1	6070	6" Hook, 3" opening, painted
1	6072	8" Swivel hook, 4" opening, painted
5	62-U1114	14" Deep plastic bin
2	62-UDR14	Set of 5 dividers for a 14" shelf
1	C20-DH	Straight partition with perforated window, no access
3	N5-RS60-4	Steel shelving unit for high roof van, 14" D x 60" W x 62" H
2	X50-B	Compact 2-drawer unit

MERCEDES-BENZ **SPRINTER**



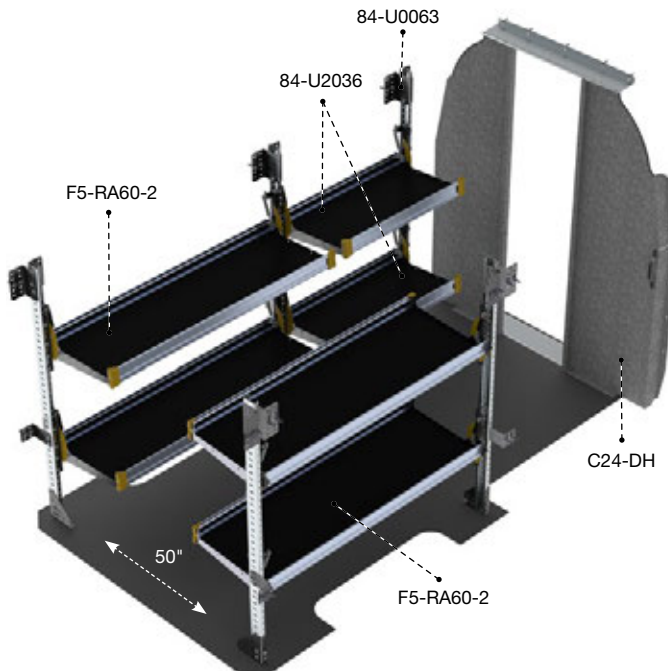
PACKAGES



DLS-19 DELIVERY

Aluminum	144"	Low Roof
274 lbs	5.3 hrs	Yes

Qty	Part #	Description
1	84-U0063	Post assembly for fold-away shelving, 63"
2	84-U2036	Fold-away shelf tray, 20" D x 36" W
1	C24-DL	Straight walk through steel partition
2	F5-RA60-2	Fold-away unit, 2 levels, 25" D x 60" W x 63" H



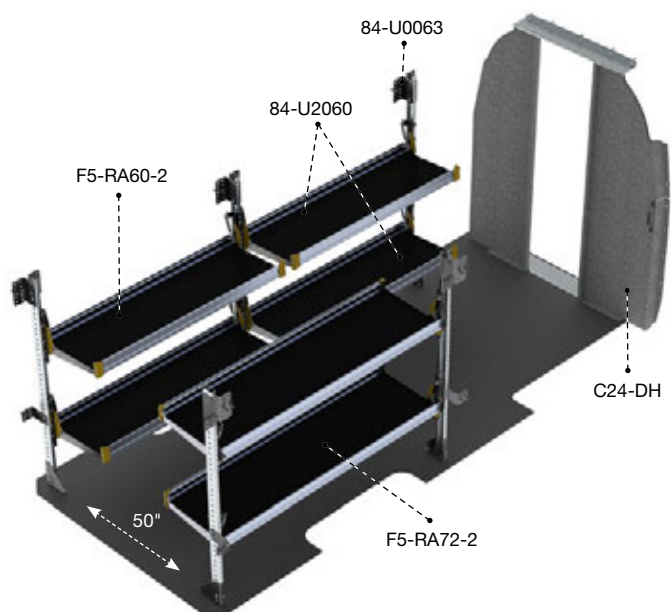
DHS-19 DELIVERY

Aluminum	144"	High Roof
277 lbs	5.3 hrs	Yes

Qty	Part #	Description
1	84-U0063	Post assembly for fold-away shelving, 63"
2	84-U2036	Fold-away shelf tray, 20" D x 36" W
1	C24-DH	Straight walk through steel partition
2	F5-RA60-2	Fold-away unit, 2 levels, 25" D x 60" W x 63" H



MERCEDES-BENZ **SPRINTER**



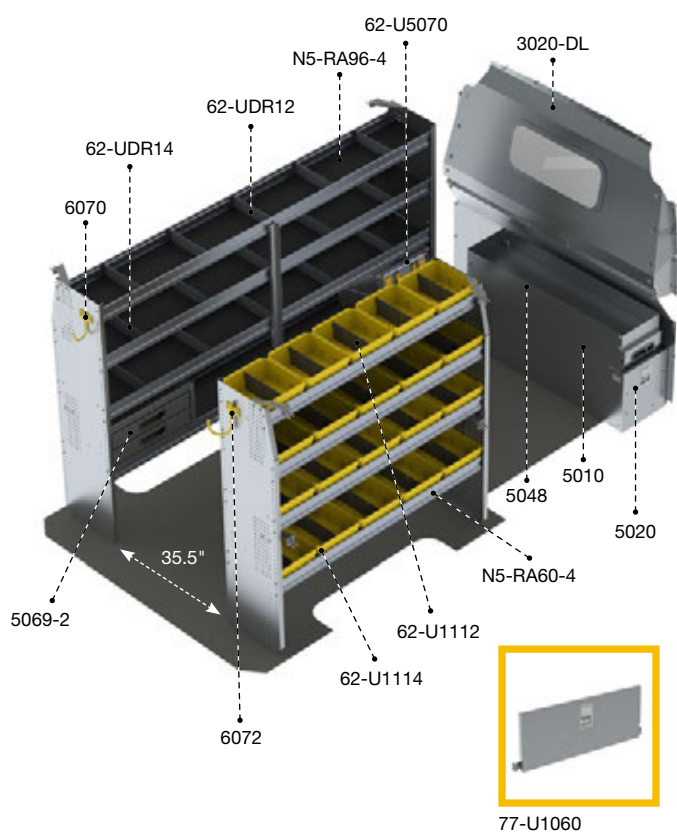
DHL-19

DELIVERY

Aluminum	170", 170" Ext.	High Roof
299	5.3 hrs	Yes

Qty	Part #	Description
1	C24-DH	Straight walk through steel partition
1	F5-RA60-2	Fold-away unit, 2 levels, 60" W x 63" H
1	84-U0063	Post assembly for fold-away shelving, 63"
2	84-U2060	Fold-away shelf tray, 20" D x 60" W
1	F5-RA72-2	Fold-away unit, 2 levels, 72" W x 63" H

PACKAGES



DLS-27

ALUMINUM

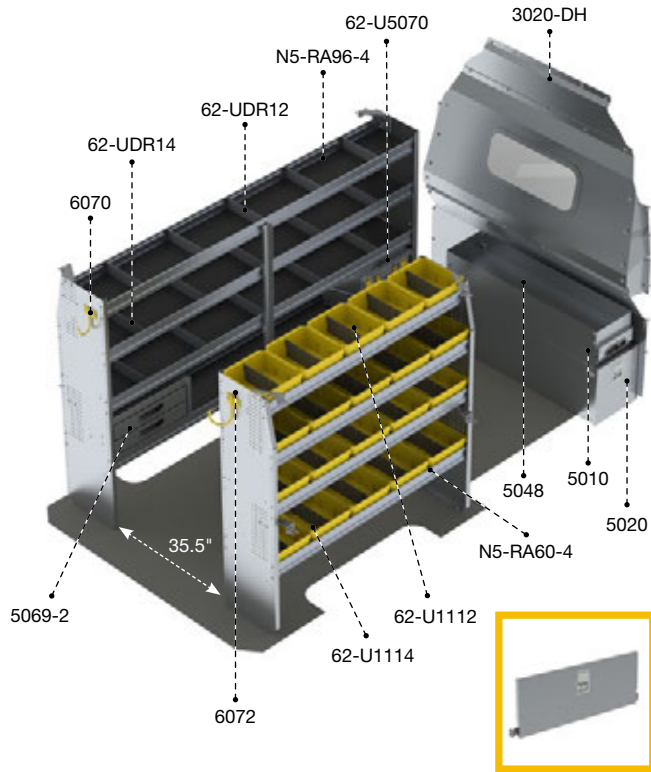
Aluminum	144"	Low Roof
465 lbs	7.5 hrs	Yes

Qty	Part #	Description
1	3020-DL	Countoured safety partition with glass window
1	5010	Partslider drawer
1	5020	Tool drawer 48" D x 14" W x 16" H
1	5048	Top edge
1	5069-2	2 Drawer cabinet
2	62-U5070	Partskeeper carry case with holder
1	6070	6" Hook, 3" opening, painted
1	6072	8" Swivel hook, 4" opening, painted
5	62-U1112	12" Deep plastic bin
15	62-U1114	14" Deep plastic bin
1	62-UDR12	Set of 5 dividers for a 12" shelf
2	62-UDR14	Set of 5 dividers for a 14" shelf
1	77-U1060	Adjustable shelving door unit - 57" W - for 60" shelves
1	N5-RA60-4	Aluminum shelving unit high roof van, 60", 14"D x 60" W x 62" H
1	N5-RA96-4	Aluminum shelving unit high roof van, 96", 14"D x 96" W x 62" H

MERCEDES-BENZ SPRINTER



PACKAGES



77-U1060

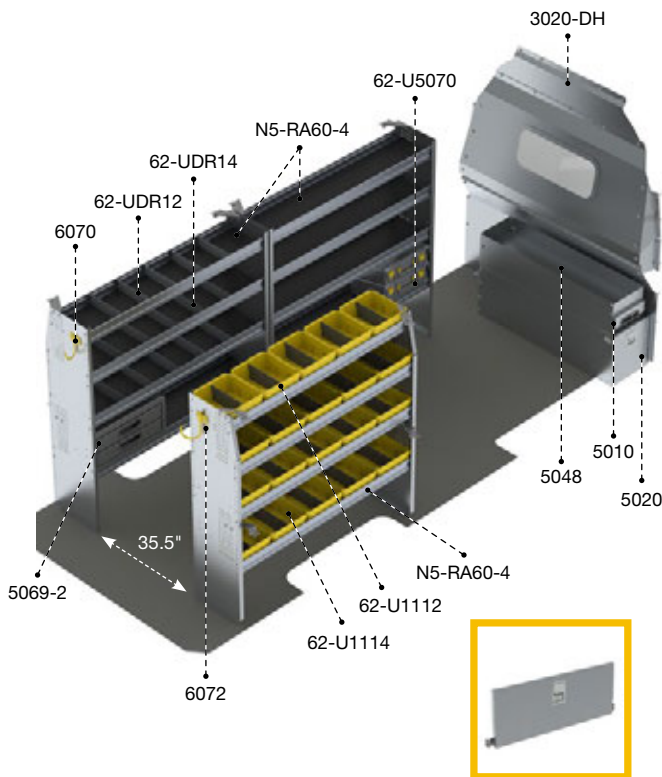
DHS-27 ALUMINUM

Aluminum	144"	High Roof
467 lbs	7.5 hrs	Yes

Qty	Part #	Description
1	3020-DH	Countoured safety partition with glass window
1	5010	Partslider drawer
1	5020	Tool drawer 48" D x 14" W x 16" H
1	5048	Top edge
1	5069-2	2 Drawer cabinet
2	62-U5070	Partskeeper carry case with holder
1	6070	6" Hook, 3" opening, painted
1	6072	8" Swivel hook, 4" opening, painted
5	62-U1112	12" Deep plastic bin
15	62-U1114	14" Deep plastic bin
1	62-UDR12	Set of 5 dividers for a 12" shelf
2	62-UDR14	Set of 5 dividers for a 14" shelf
1	77-U1060	Adjustable shelving door unit - 57" W - for 60" shelves
1	N5-RA60-4	Aluminum shelving unit high roof van, 60", 14"D x 60" W x 62"H
1	N5-RA96-4	Aluminum shelving unit high roof van, 96", 14"D x 96" W x 62"H

DHL-27 ALUMINUM

Aluminum	170", 170" Ext.	High Roof
508 lbs	8.5 hrs	Yes



77-U1060

Qty	Part #	Description
1	3020-DH	Countoured safety partition with glass window
1	5010	Partslider 48" D
1	5020	Tool drawer 48" D x 14" W x 16" H
1	5048	Top edge
1	5069-2	2 Drawer cabinet
2	62-U5070	Partskeeper carry case with holder
1	6070	6" Hook, 3" opening, painted
1	6072	8" Swivel hook, 4" opening, painted
5	62-U1112	12" Deep plastic bin
15	62-U1114	14" Deep plastic bin
1	62-UDR12	Set of 5 dividers for a 12" shelf
2	62-UDR14	Set of 5 dividers for a 14" shelf
1	77-U1060	Adjustable shelving door unit - 57" W - for 60" shelves
3	N5-RA60-4	Aluminum shelving unit high roof van, 60", 14"D x 60" W x 62"H



ALUMINUM **DHS-27**

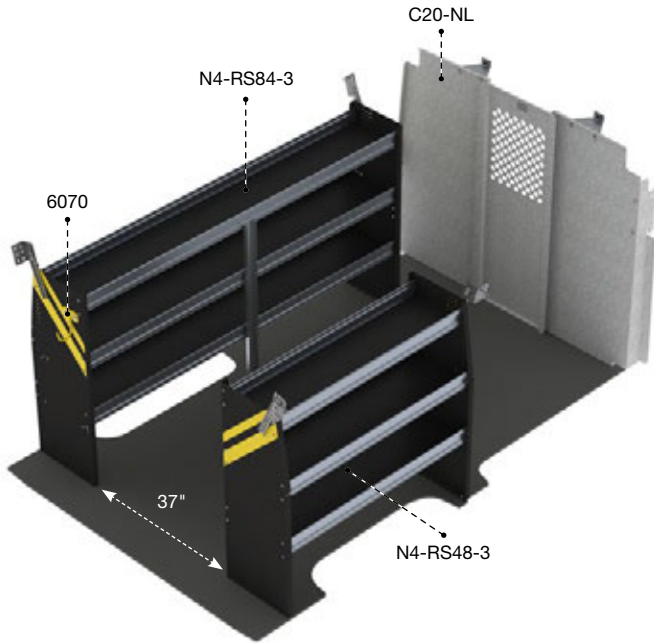
MERCEDES-BENZ **SPRINTER**



NISSAN NV



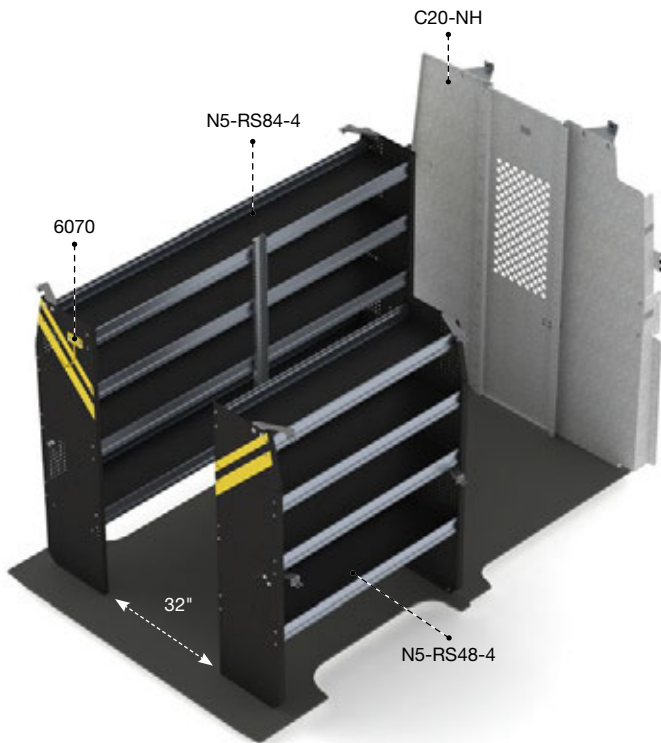
PACKAGES



NVL-10 CONTRACTOR

Steel	146"	Low Roof
200 lbs	3.3 hrs	Yes

Qty	Part #	Description
1	6070	6" Hook, 3" opening, painted
1	C20-NL	Straight steel partition with perforated window, no access
1	N4-RS48-3	Steel Shelving Unit for low roof van, 14" D x 48" W x 44.5" H
1	N4-RS84-3	Steel Shelving Unit for low roof van, 14" D x 84" W x 44.5" H



NVH-10 CONTRACTOR

Steel	146"	High Roof
271 lbs	4.3 hrs	Yes

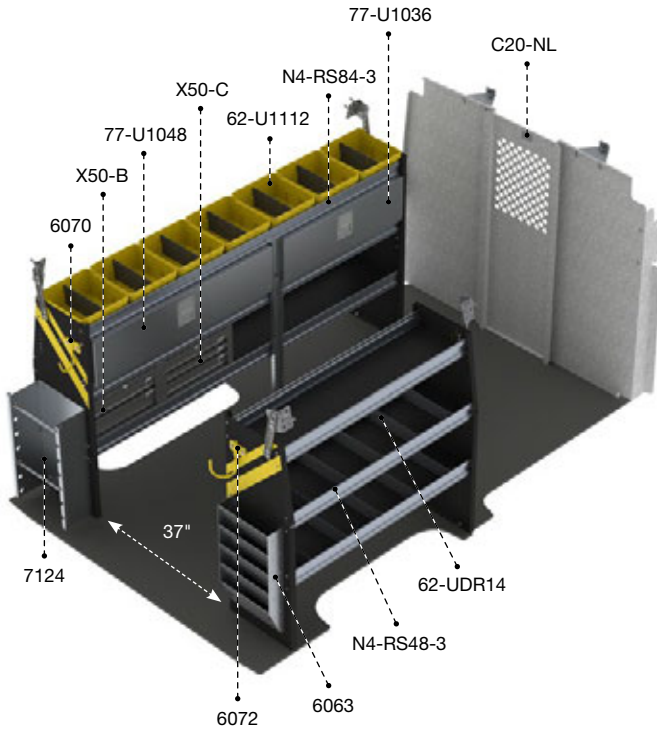
Qty	Part #	Description
1	6070	6" Hook, 3" opening, painted
1	C20-NH	Straight steel partition with perforated window, no access
1	N5-RS48-4	Steel shelving unit for high roof van, 14" D x 48" W x 62" H
1	N5-RS84-4	Steel shelving unit for high roof van, 14" D x 84" W x 62" H



CONTRACTOR **NVH-10**

NISSAN **NV**

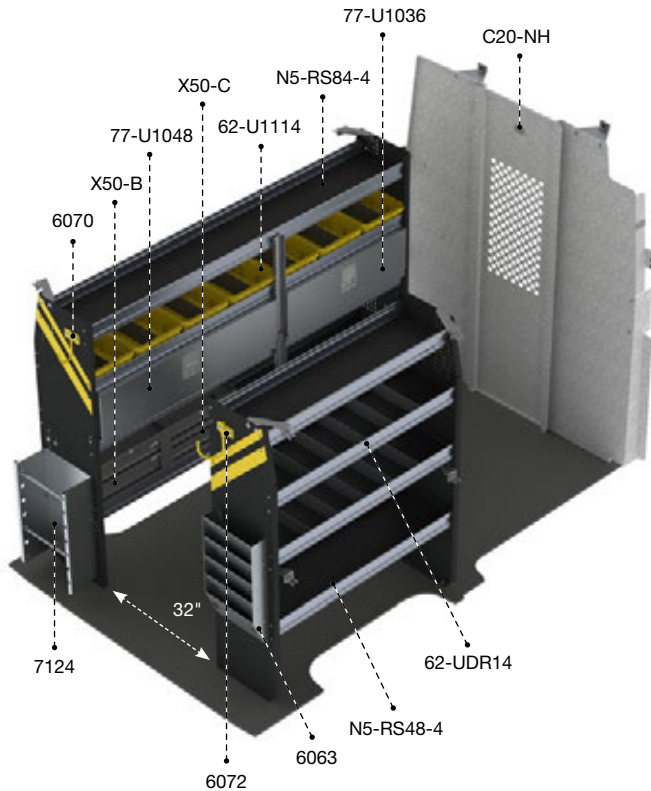




NVL-11 ELECTRICAL

Steel	146"	Low Roof
308 lbs	5.8 hrs	Yes

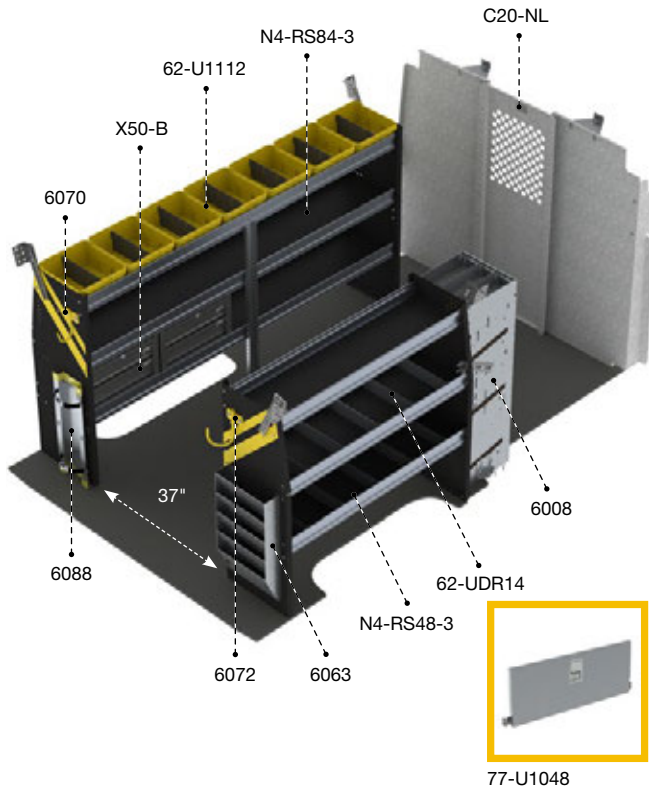
Qty	Part #	Description
1	6063	Paper holder, extra deep, 5 slots
1	6070	6" Hook, 3" opening, painted
1	6072	8" Swivel hook, 4" opening, painted
1	7124	Reel holder with two 5/8" diameter rods
7	62-U1112	12" Deep plastic bin
2	62-UDR14	Set of 5 dividers for a 14" shelf
1	77-U1036	Adjustable shelving door unit - 33" W - for 36" and 72" shelves
1	77-U1048	Adjustable shelving door unit - 45" W - for 48" and 96" shelves
1	C20-NL	Straight steel partition with perforated window, no access
1	N4-RS48-3	Steel shelving unit for low roof van, 14" D x 48" W x 44.5" H
1	N4-RS84-3	Steel shelving unit for low roof van, 14" D x 84" W x 44.5" H
1	X50-B	Compact 2-drawer unit
1	X50-C	Compact 3-drawer unit



NVH-11 ELECTRICAL

Steel	146"	High Roof
380 lbs	6.8 hrs	Yes

Qty	Part #	Description
1	6063	Paper holder, extra deep, 5 slots
1	6070	6" Hook, 3" opening, painted
1	6072	8" Swivel hook, 4" opening, painted
1	7124	Reel holder with two 5/8" diameter rods
7	62-U1114	14" Deep plastic bin
2	62-UDR14	Set of 5 dividers for a 14" shelf
1	77-U1036	Adjustable shelving door unit - 33" W - for 36" and 72" shelves
1	77-U1048	Adjustable shelving door unit - 45" W - for 48" and 96" shelves
1	C20-NH	Straight steel partition with perforated window, no access
1	N5-RS48-4	Steel shelving unit for high roof van, 14" D x 48" W x 62" H
1	N5-RS84-4	Steel shelving unit for high roof van, 14" D x 84" W x 62" H
1	X50-B	Compact 2-drawer unit
1	X50-C	Compact 3-drawer unit

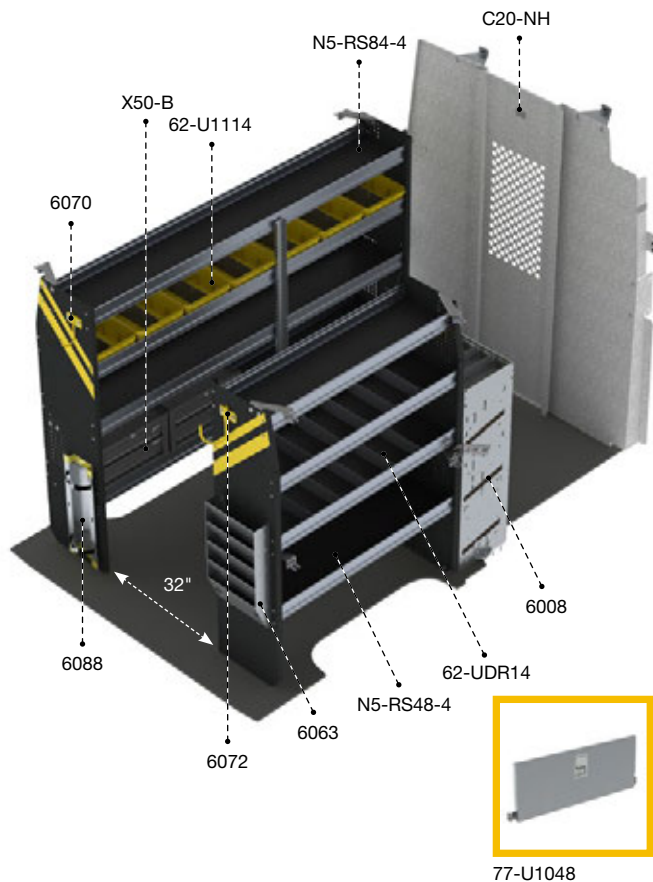


NVL-12 HVAC

Steel	146"	Low Roof
317 lbs	5.6 hrs	Yes

Qty	Part #	Description
1	6008	3 Tier refrigerant rack for large bottles
1	6063	Paper holder, extra deep, 5 slots
1	6070	6" Hook, 3" opening, painted
1	6072	8" Swivel hook, 4" opening, painted
1	6088	Large aluminum bottle holder, with two black nylon straps
7	62-U1112	12" Deep plastic bin
2	62-UDR14	Set of 5 dividers for a 14" shelf
1	77-U1048	Adjustable shelving door unit - 45" W - for 48" & 96" shelves
1	C20-NL	Straight steel partition with perforated window, no access
1	N4-RS48-3	Steel shelving unit for low roof van, 14" D x 48" W x 44.5" H
1	N4-RS84-3	Steel shelving unit for low roof van, 14" D x 84" W x 44.5" H
2	X50-B	Compact 2-drawer unit

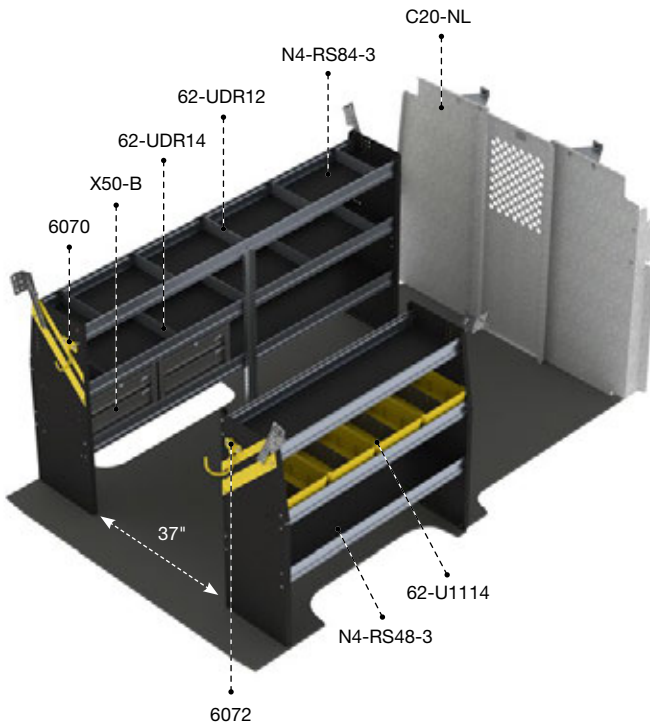
PACKAGES



NVH-12 HVAC

Steel	146"	High Roof
390 lbs	6.6 hrs	Yes

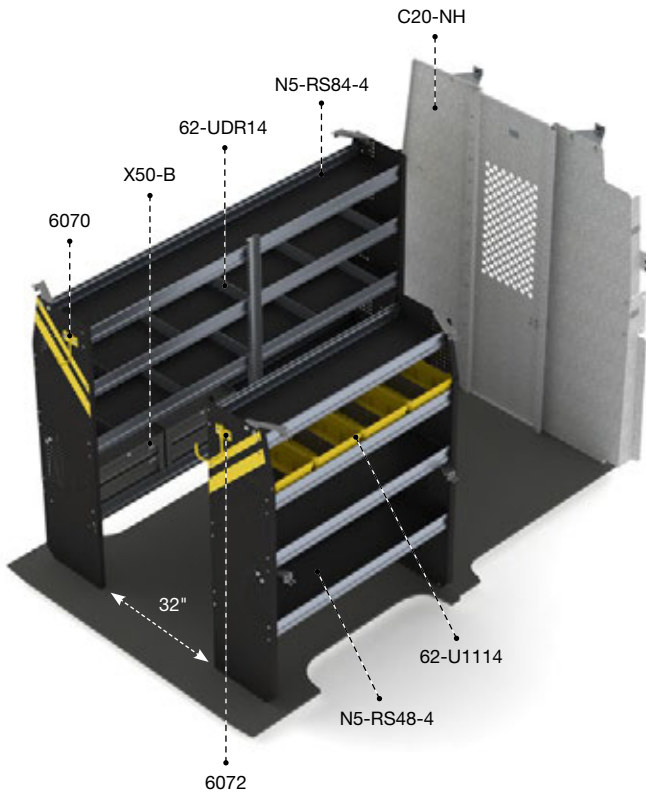
Qty	Part #	Description
1	6008	3 Tier refrigerant rack for large bottles
1	6063	Paper holder, extra deep, 5 slots
1	6070	6" Hook, 3" opening, painted
1	6072	8" Swivel hook, 4" opening, painted
1	6088	Large aluminum bottle holder, with two black nylon straps
7	62-U1114	14" Deep plastic bin
2	62-UDR14	Set of 5 dividers for a 14" shelf
1	77-U1048	Adjustable shelving door unit - 45" W - for 48" & 96" shelves
1	C20-NH	Straight steel partition with perforated window, no access
1	N5-RS48-4	Steel shelving unit for low roof van, 14" D x 48" W x 62" H
1	N5-RS84-4	Steel shelving unit for low roof van, 14" D x 84" W x 62" H
2	X50-B	Compact 2-drawer unit



NVL-16 SERVICE

Steel	146"	Low Roof
267 lbs	4.1 hrs	Yes

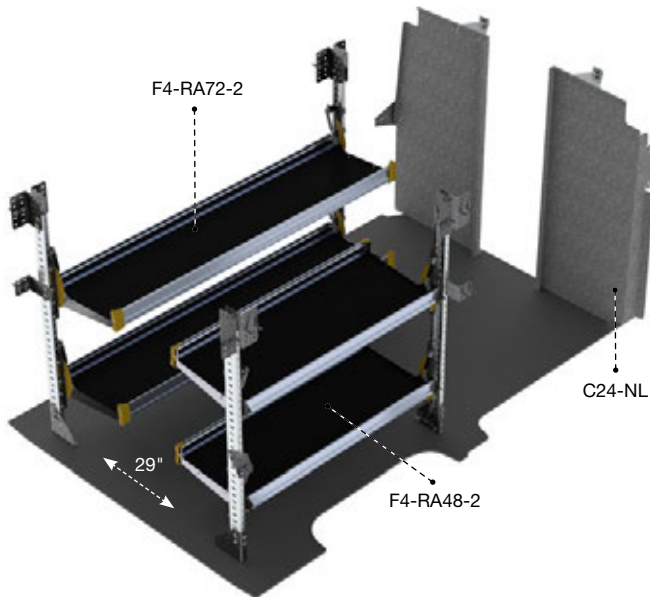
Qty	Part #	Description
1	6070	6" Hook, 3" opening, painted
1	6072	8" Swivel hook, 4" opening, painted
4	62-U1114	14" Deep plastic bin
1	62-UDR12	Set of 5 dividers for a 12" shelf
1	62-UDR14	Set of 5 dividers for a 14" shelf
1	C20-NL	Straight steel partition with perforated window, no access
1	N4-RS48-3	Steel shelving unit for low roof van, 14" D x 48" W x 44.5" H
1	N4-RS84-3	Steel shelving unit for low roof van, 14" D x 84" W x 44.5" H
2	X50-B	Compact 2-drawer unit



NVH-16 SERVICE

Steel	146"	High Roof
339 lbs	5.1 hrs	Yes

Qty	Part #	Description
1	6070	6" Hook, 3" opening, painted
1	6072	8" Swivel hook, 4" opening, painted
4	62-U1114	14" Deep plastic bin
2	62-UDR14	Set of 5 dividers for a 14" shelf
1	C20-NH	Straight steel partition with perforated window, no access
1	N5-RS48-4	Steel shelving unit for high roof van, 14" D x 48" W x 62" H
1	N5-RS84-4	Steel shelving unit for high roof van, 14" D x 84" W x 62" H
2	X50-B	Compact 2-drawer unit

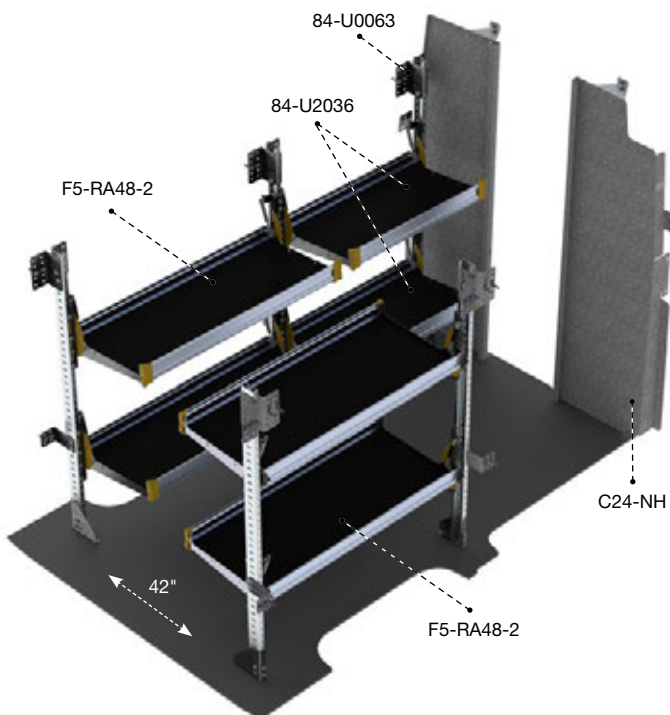


NVL-19 DELIVERY

Aluminum	146"	Low Roof
190 lbs	4.2 hrs	Yes

Qty	Part #	Description
1	C24-NL	Straight walk through partition with window
1	F4-RA72-2	Fold-away unit, 2 levels, 22" D x 72" W x 47" H
1	F4-RA48-2	Fold-away unit, 2 levels, 22" D x 48" W x 47" H

PACKAGES



NVH-19 DELIVERY

Aluminum	146"	High Roof
255 lbs	5.3 hrs	Yes

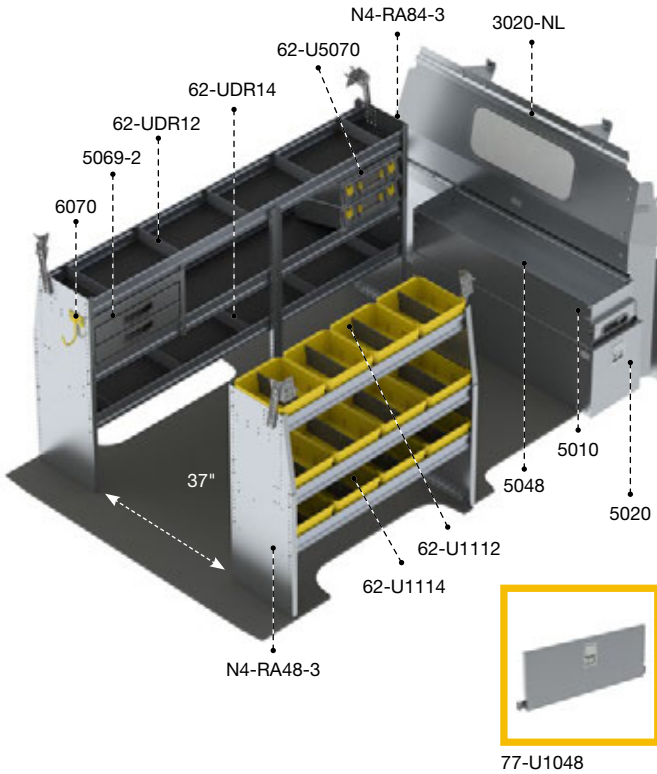
Qty	Part #	Description
1	84-U0063	Post assembly for fold-away shelving, 63"
2	84-U2036	Fold-away shelf tray, 20" D x 36" W
1	C24-NH	Straight walk through partition with window
2	F5-RA48-2	Fold-away unit, 2 levels, 25" D x 48" W x 63" H

PACKAGES

NISSAN NV



PACKAGES



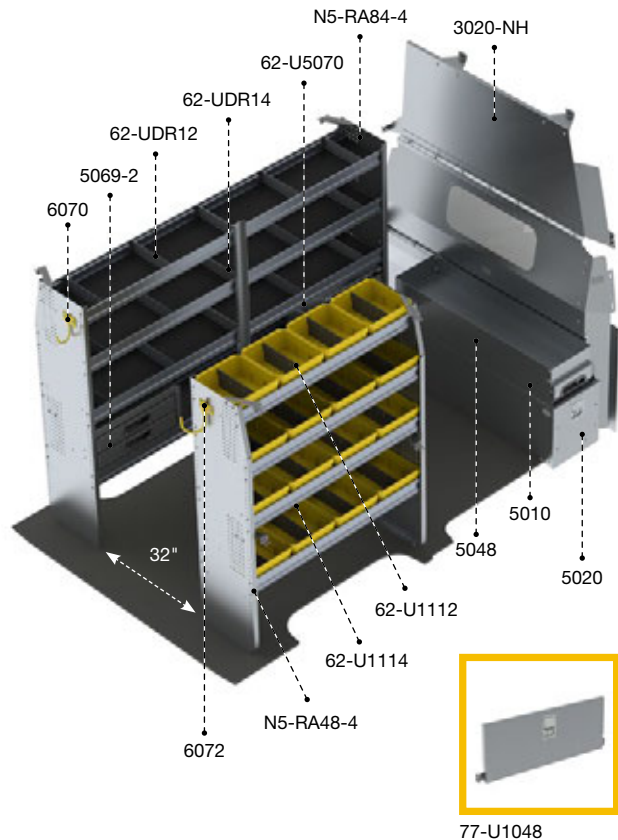
NVL-27 ALUMINUM

	Aluminum		146"		Low Roof
	361 lbs		6.6 hrs		Yes

Qty	Part #	Description
1	3020-NL	Countoured safety partition with glass window
1	5010	Partslider drawer
1	5020	Tool drawer 48" D x 14" W x 16" H
1	5048	Top edge
2	62-U5070	Partskeeper carry case with holder
1	6070	6" Hook, 3" opening, painted
1	5069-2	2 Drawer cabinet
4	62-U1112	12" Deep plastic bin
8	62-U1114	14" Deep plastic bin
1	62-UDR12	Set of 5 dividers for a 12" shelf
1	62-UDR14	Set of 5 dividers for a 14" shelf
1	77-U1048	Adjustable shelving door unit - 45" W - for 48" & 96" shelves
1	N4-RA48-3	Aluminum shelving unit for low roof van, 14" D x 48" W x 44.5" H
1	N4-RA84-3	Aluminum shelving unit for low roof van, 14" D x 84" W x 44.5" H

NVH-27 ALUMINUM

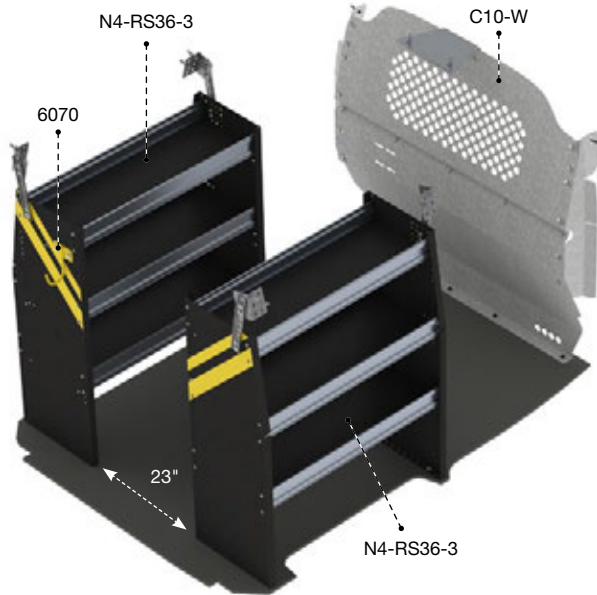
	Aluminum		146"		High Roof
	430 lbs		7.5 hrs		Yes



Qty	Part #	Description
1	3020-NH	Countoured safety partition with glass window
1	5010	Partslider drawer
1	5020	Tool drawer 48" D x 14" W x 16" H
1	5048	Top edge
2	62-U5070	Partskeeper carry case with holder
1	5069-2	2 Drawer cabinet
1	6070	6" Hook, 3" opening, painted
1	6072	8" Swivel hook, 4" opening, painted
4	62-U1112	12" Deep plastic bin
12	62-U1114	14" Deep plastic bin
1	62-UDR12	Set of 5 dividers for a 12" shelf
2	62-UDR14	Set of 5 dividers for a 14" shelf
1	77-U1048	Adjustable shelving door unit - 45" W - for 48" & 96" shelves
1	N5-RA48-4	Aluminum shelving unit for low roof van, 14" D x 48" W x 62" H
1	N5-RA84-4	Aluminum shelving unit for low roof van, 14" D x 84" W x 62" H



NISSAN **NV200**

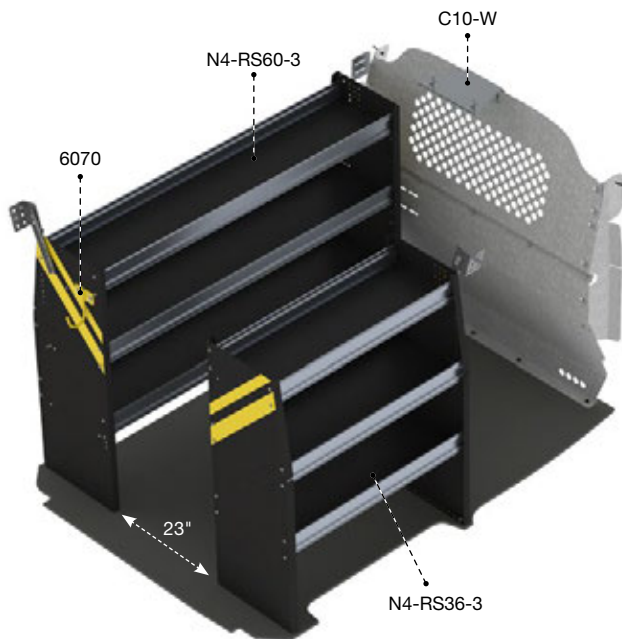


CNR-10
CONTRACTOR

Steel	115"	Standard
144 lbs	3.2 hrs	Yes

Qty	Part #	Description
1	6070	6" Hook, 3" opening, painted
1	C10-W	Contoured steel partition with perforated window
2	N4-RS36-3	Steel shelving unit for low roof van 14" D x 36" W x 44.5" H

PACKAGES



CNL-10
CONTRACTOR

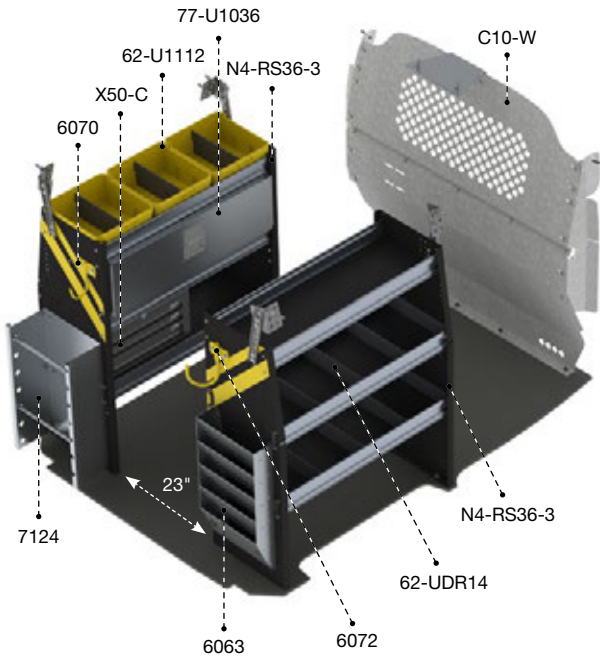
Steel	115"	Standard
159 lbs	3.2 hrs	Yes

Qty	Part #	Description
1	6070	6" Hook, 3" opening, painted
1	C10-W	Contoured steel partition with perforated window
1	N4-RS36-3	Steel shelving unit for low roof van 14" D x 36" W x 44.5" H
1	N4-RS60-3	Steel shelving unit for low roof van 14" D x 60" W x 44.5" H







NISSAN NV200



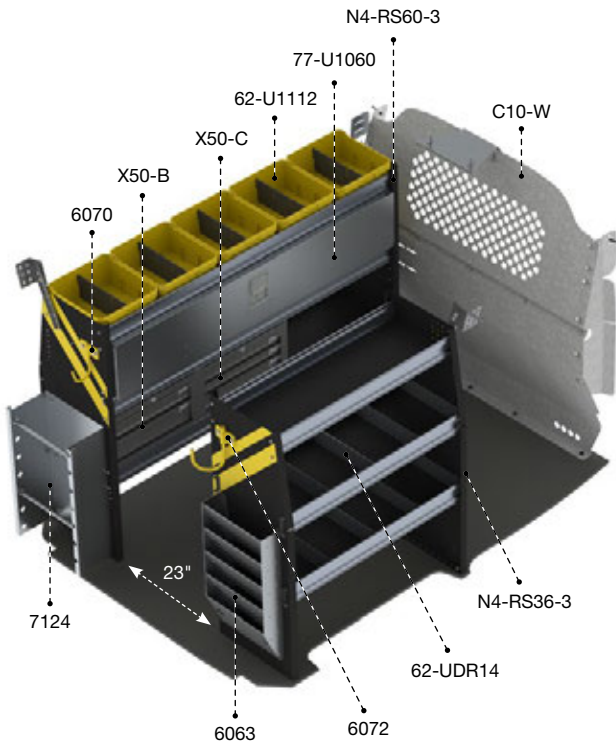
PACKAGES









CNR-11 ELECTRICAL

 Steel	 115"	 Standard
 209 lbs	 4.9 hrs	 Yes

Qty	Part #	Description
1	6063	Paper holder, extra deep, 5 slots
1	6070	6" Hook, 3" opening, painted
1	6072	8" Swivel hook, 4" opening, painted
3	62-U1112	12" Deep plastic bin
2	62-UDR14	Set of 5 dividers for a 14" shelf
1	7124	Reel holder with two 5/8" diameter rods
1	77-U1036	Adjustable shelving door unit - 33" W - for 36" & 72" shelves
1	C10-W	Contoured steel partition with perforated window
2	N4-RS36-3	Steel shelving unit for low roof van 14" D x 36" W x 44.5" H
1	X50-C	Compact 3-drawer unit



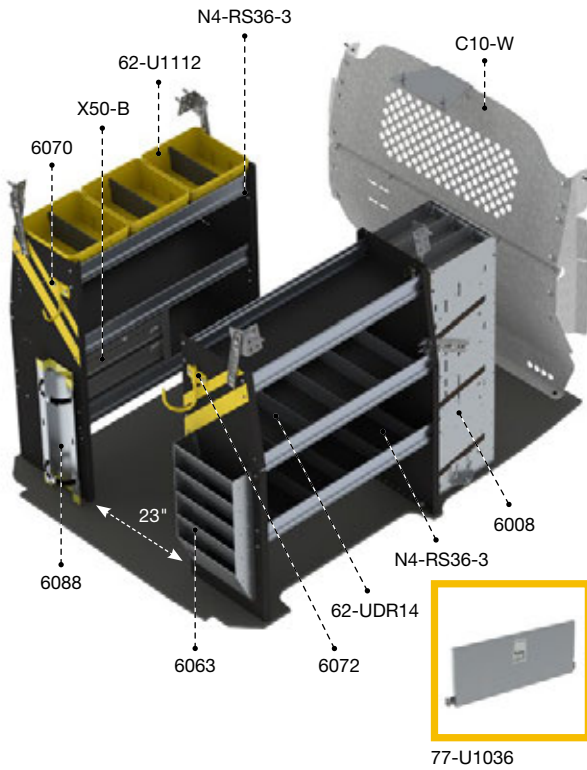
CNL-11 ELECTRICAL

 Steel	 115"	 Standard
 258 lbs	 5.2 hrs	 Yes

Qty	Part #	Description
1	6063	Paper holder, extra deep, 5 slots
1	6070	6" Hook, 3" opening, painted
1	6072	8" Swivel hook, 4" opening, painted
5	62-U1112	12" Deep plastic bin
2	62-UDR14	Set of 5 dividers for a 14" shelf
1	7124	Reel holder with two 5/8" diameter rods
1	77-U1060	Adjustable shelving door unit - 57" W - for 60" shelves
1	C10-W	Contoured steel partition with perforated window
1	N4-RS36-3	Steel shelving unit for low roof van 14" D x 36" W x 44.5" H
1	N4-RS60-3	Steel shelving unit for low roof van 14" D x 60" W x 44.5" H
1	X50-B	Compact 2-drawer unit
1	X50-C	Compact 3-drawer unit



NISSAN NV200



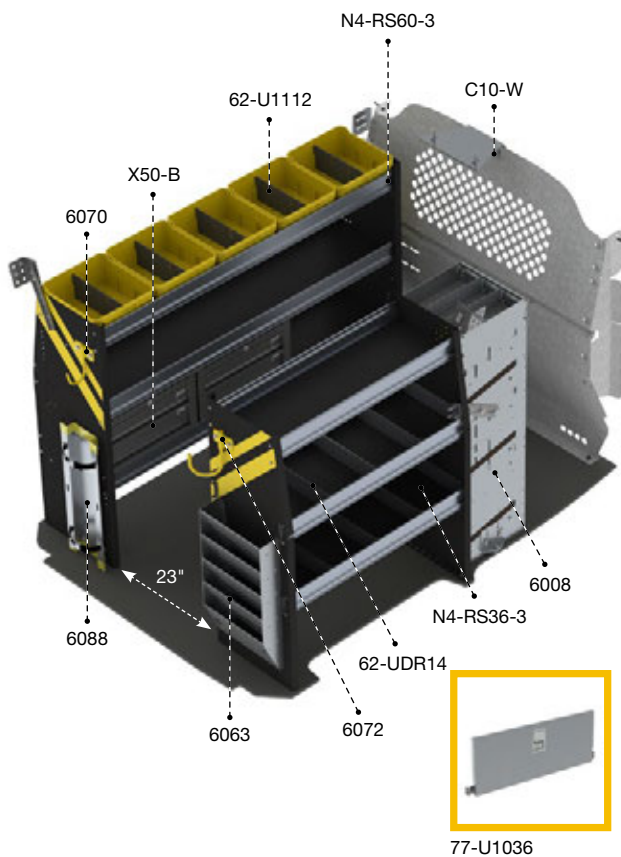
CNR-12

HVAC

Steel	115"	Standard
226 lbs	5.2 hrs	Yes

Qty	Part #	Description
1	6008	3 Tier refrigerant rack for large bottles
1	6063	Paper holder, extra deep, 5 slots
1	6070	6" Hook, 3" opening, painted
1	6072	8" Swivel hook, 4" opening, painted
1	6088	Large aluminum bottle holder, with two black nylon straps
3	62-U1112	12" Deep plastic bin
2	62-UDR14	Set of 5 dividers for a 14" shelf
1	77-U1036	Adjustable shelving door unit - 33" W - for 36" & 72" shelves
1	C10-W	Contoured steel partition with perforated window
2	N4-RS36-3	Steel shelving unit for low roof van 14" D x 36" W x 44.5" H
1	X50-B	Compact 2-drawer unit

PACKAGES



CNL-12

HVAC

Steel	115"	Standard
272 lbs	5.5 hrs	Yes

Qty	Part #	Description
1	6008	3 Tier refrigerant rack for large bottles
1	6063	Paper holder, extra deep, 5 slots
1	6070	6" Hook, 3" opening, painted
1	6072	8" Swivel hook, 4" opening, painted
1	6088	Large aluminum bottle holder, with two black nylon straps
5	62-U1112	12" Deep plastic bin
2	62-UDR14	Set of 5 dividers for a 14" shelf
1	77-U1036	Adjustable shelving door unit - 33" W - for 36" & 72" shelves
1	C10-W	Contoured steel partition with perforated window
1	N4-RS36-3	Steel shelving unit for low roof van 14" D x 36" W x 44.5" H
1	N4-RS60-3	Steel shelving unit for low roof van 14" D x 60" W x 44.5" H
2	X50-B	Compact 2-drawer unit



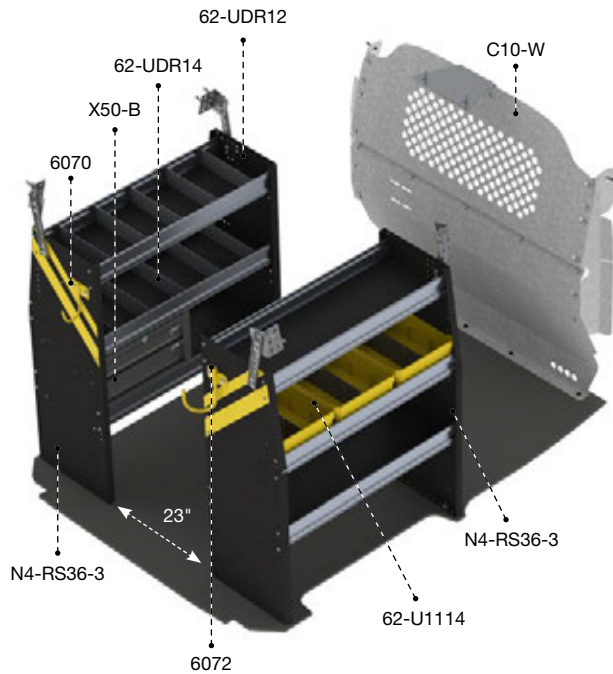
DELIVERY
CNR-19

NISSAN **NV200**





NISSAN NV200

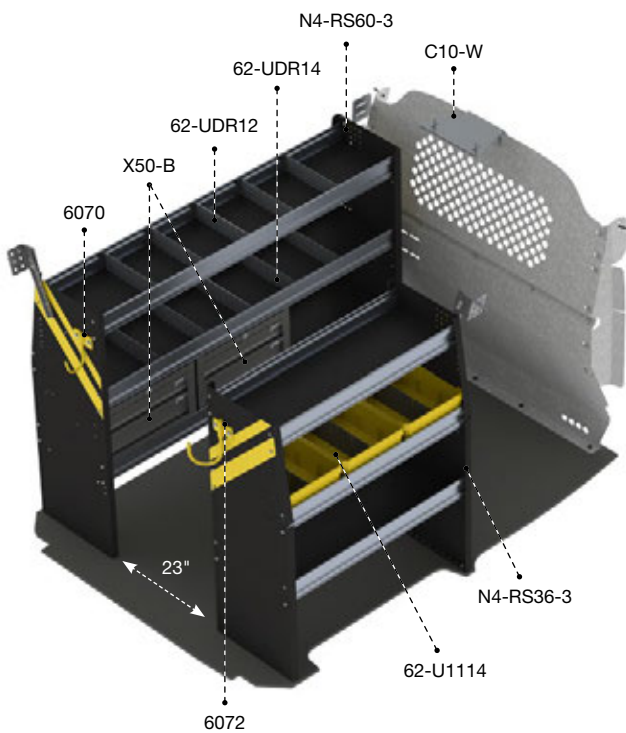


CNR-16
SERVICE

Steel	115"	Standard
183 lbs	3.7 hrs	Yes

Qty	Part #	Description
1	6070	6" Hook, 3" opening, painted
1	6072	8" Swivel hook, 4" opening, painted
3	62-U1114	14" deep plastic bin
1	62-UDR12	Set of 5 dividers for a 12" Shelf
1	62-UDR14	Set of 5 dividers for a 14" Shelf
1	C10-W	Contoured steel partition with perforated window
2	N4-RS36-3	Steel shelving unit for low roof van 14" D x 36" W x 44.5" H
1	X50-B	Compact 2-drawer unit

PACKAGES



CNL-16
SERVICE

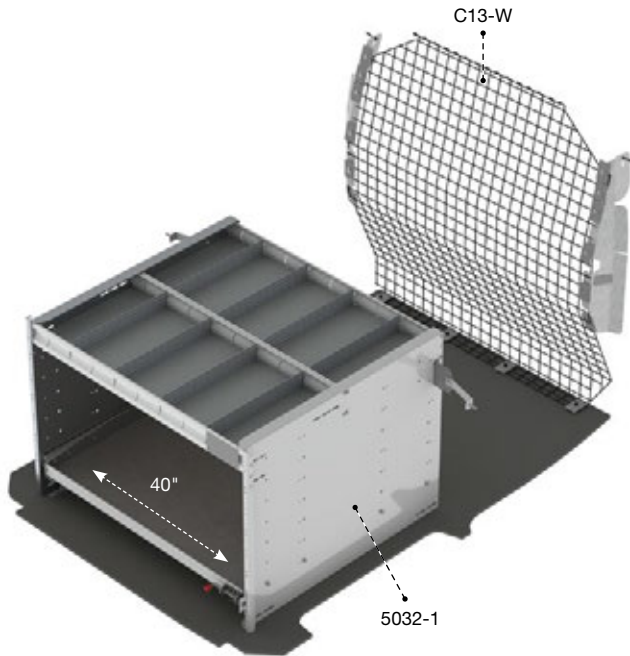
Steel	115"	Standard
225 lbs	4 hrs	Yes

Qty	Part #	Description
1	6070	6" Hook, 3" opening, painted
1	6072	8" Swivel hook, 4" opening, painted
3	62-U1114	14" Deep plastic bin
1	62-UDR12	Set of 5 dividers for a 12" shelf
1	62-UDR14	Set of 5 dividers for a 14" shelf
1	C10-W	Contoured steel partition with perforated window
1	N4-RS36-3	Steel shelving unit for low roof van 14" D x 36" W x 44.5" H
1	N4-RS60-3	Steel shelving unit for low roof van 14" D x 60" W x 44.5" H
2	X50-B	Compact 2-drawer unit



NISSAN NV200

PACKAGES

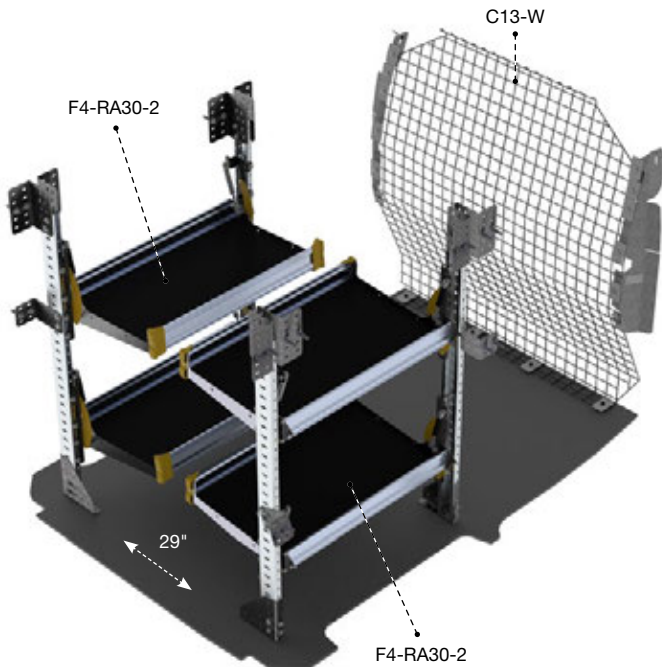


CNR-19 DELIVERY

Aluminum	115"	Standard
120 lbs	1.7 hrs	Yes

Qty	Part #	Description
1	5032-1	Axess tray with 1 shelf and 1 drawer, 38" D x 45" W x 30" H
1	C13-W	Wire mesh partition

Install kit # 6471 can be purchased separately.



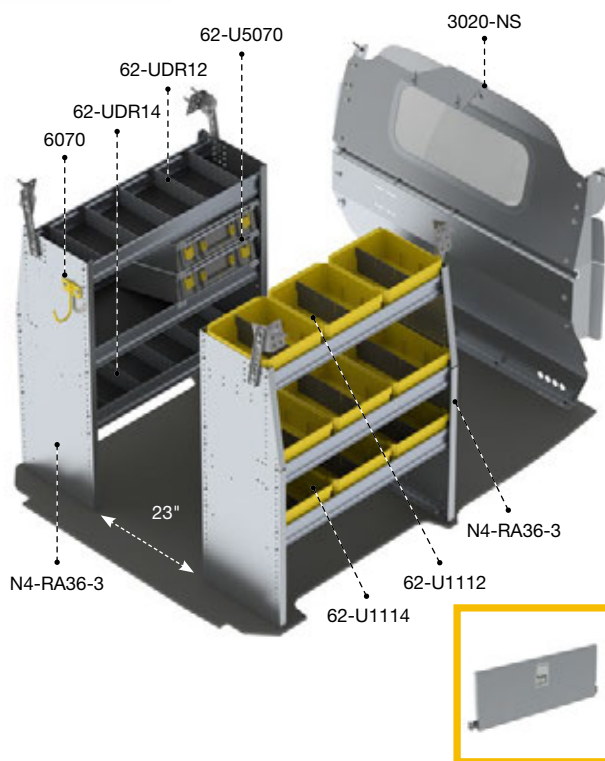
CNL-19 DELIVERY

Aluminum	115"	Standard
148 lbs	3.9 hrs	Yes

Qty	Part #	Description
1	C13-W	Wire mesh partition
2	F4-RA30-2	Fold-away unit, 2 levels, 22" D x 30" W x 47" H



NISSAN NV200

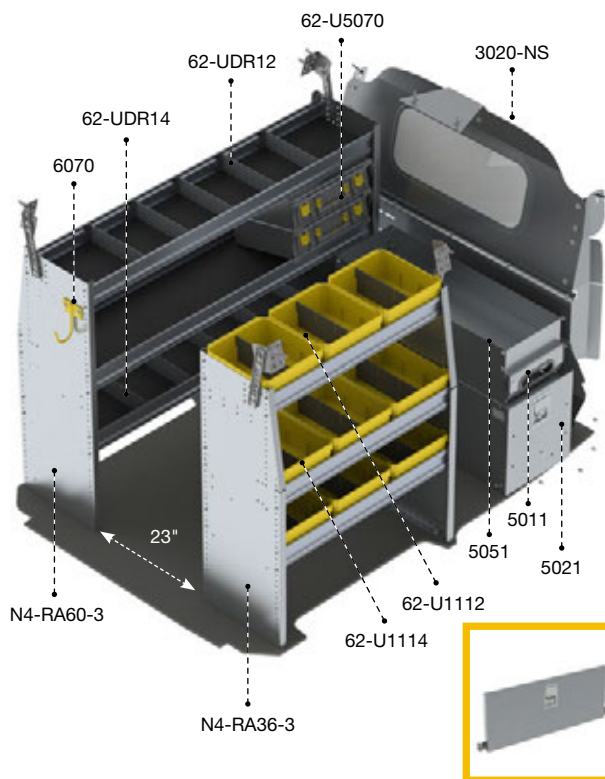


CNR-27 ALUMINUM

Aluminum	115"	Standard
178 lbs	4.3 hrs	Yes

Qty	Part #	Description
1	3020-NS	Countoured safety partition with glass window
2	62-U5070	Partskeeper carry case with holder
1	6070	6" Hook, 3" opening, painted
3	62-U1112	12" Deep plastic bin
6	62-U1114	14" Deep plastic bin
1	62-UDR12	Set of 5 dividers for a 12" shelf
1	62-UDR14	Set of 5 dividers for a 14" shelf
1	77-U1036	Adjustable shelving door unit - 33" W - for 36" & 72" shelves
2	N4-RA36-3	Aluminum shelving unit for low roof van 14" D x 36" W x 44.5" H

77-U1036



CNL-27 ALUMINUM

Aluminum	115"	Standard
268 lbs	6 hrs	Yes

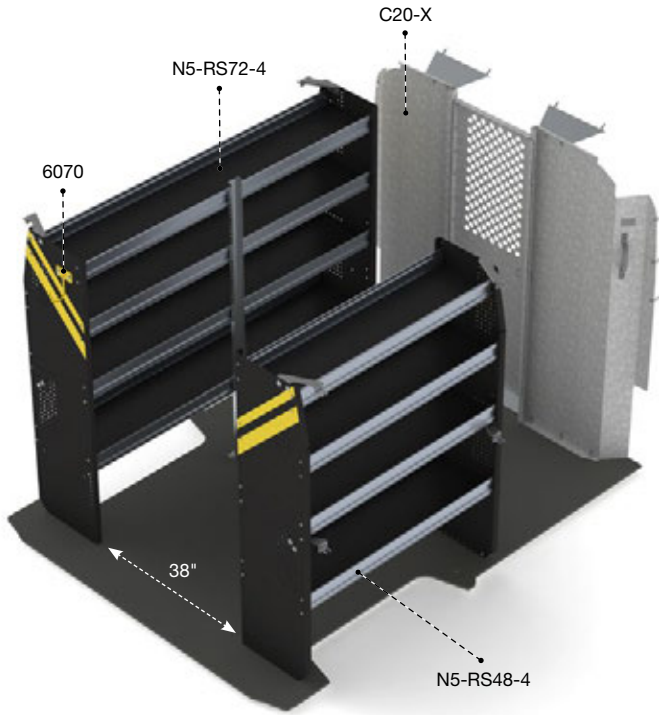
Qty	Part #	Description
1	3020-NS	Countoured safety partition with glass window
1	5011	Partslider drawer 36" D
1	5021	Tool drawer 36" D x 14" W x 16" H
1	5051	Top edge
2	62-U5070	Partskeeper carry case with holder
1	6070	6" Hook, 3" opening, painted
3	62-U1112	12" Deep plastic bin
6	62-U1114	14" Deep plastic bin
1	62-UDR12	Set of 5 dividers for a 12" shelf
1	62-UDR14	Set of 5 dividers for a 14" shelf
1	77-U1036	Adjustable shelving door unit - 33" W - for 36" x 72" shelves
1	N4-RA36-3	Aluminum shelving unit for low roof van 14" D x 36" W x 44.5" H
1	N4-RA60-3	Aluminum shelving unit for low roof van 14" D x 60" W x 44.5" H

77-U1036



RAM PROMASTER

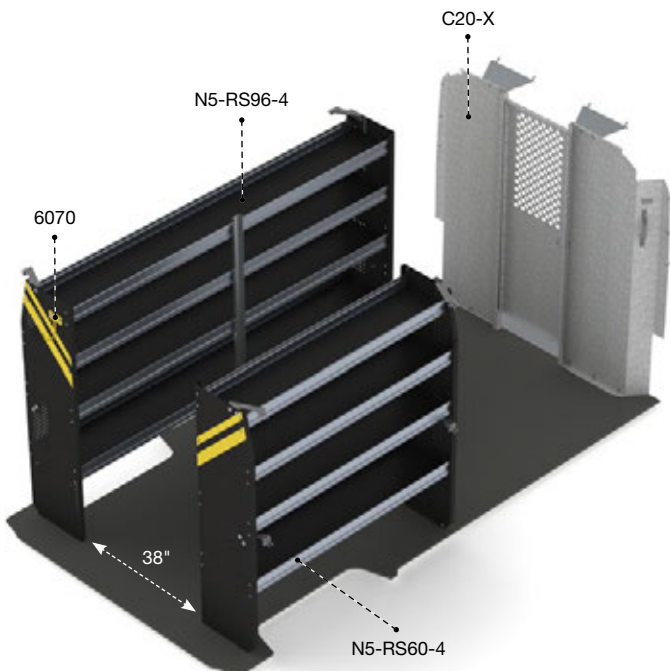
PACKAGES



RPS-10 CONTRACTOR

Steel	118", 136"	Low / High
259 lbs	3.8 hrs	Yes

Qty	Part #	Description
1	6070	6" Hook, 3" opening, painted
1	C20-X	Straight steel partition with perforated window, no access
1	N5-RS48-4	Steel shelving unit for high roof van, 14" D x 48" W x 62" H
1	N5-RS72-4	Steel shelving unit for high roof van, 14" D x 72" W x 62" H



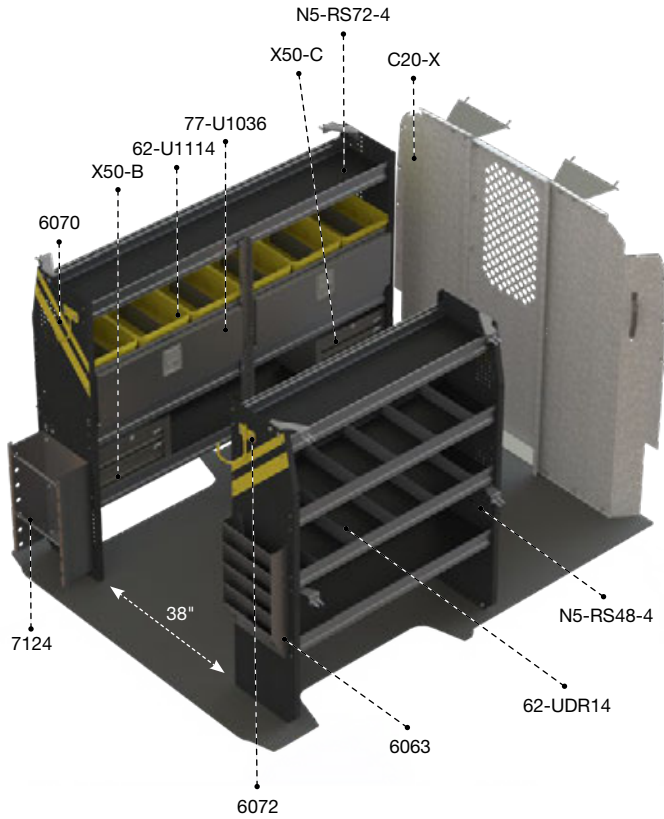
RPL-10 CONTRACTOR

Steel	159", 159" Ext.	High
289 lbs	3.8 hrs	Yes

Qty	Part #	Description
1	6070	6" Hook, 3" opening, painted
1	C20-X	Straight steel partition with perforated window, no access
1	N5-RS60-4	Steel shelving unit for high roof van, 14" D x 60" W x 62" H
1	N5-RS96-4	Steel shelving unit for high roof van, 14" D x 96" W x 62" H



RAM PROMASTER

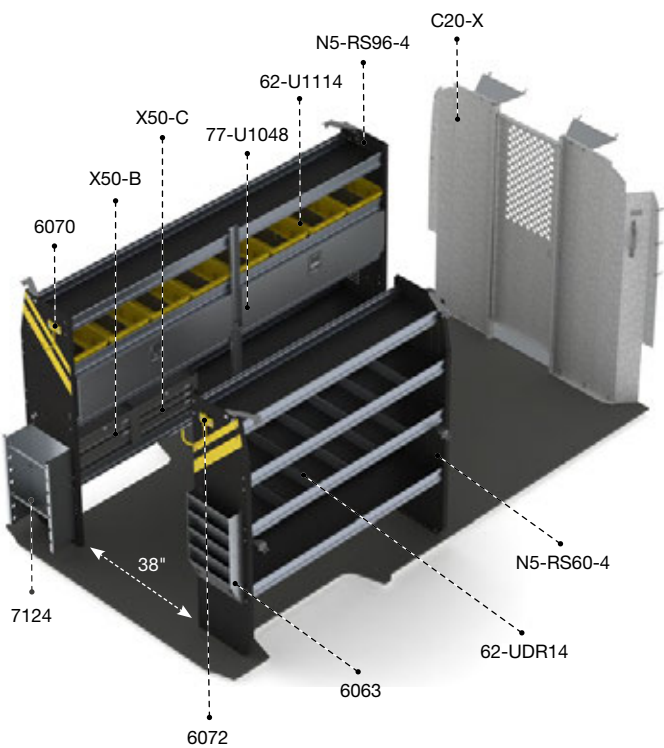


RPS-11
ELECTRICAL

Steel	118", 136"	Low / High
364 lbs	6.3 hrs	Yes

Qty	Part #	Description
1	6063	Paper holder, extra deep, 5 slots
1	6070	6" Hook, 3" opening, painted
1	6072	8" Swivel hook, 4" opening, painted
6	62-U1114	14" Deep plastic bin
2	62-UDR14	Set of 5 dividers for a 14" shelf
1	7124	Reel holder with two 5/8" diameter rods
2	77-U1036	Adjustable shelving door unit - 33" W - for 36" & 72" shelves
1	C20-X	Straight steel partition with perforated window, no access
1	N5-RS48-4	Steel shelving unit for high roof van, 14" D x 48" W x 62" H
1	N5-RS72-4	Steel shelving unit for high roof van, 14" D x 72" W x 62" H
1	X50-B	Compact 2-drawer unit
1	X50-C	Compact 3-drawer unit

PACKAGES



RPL-11
ELECTRICAL

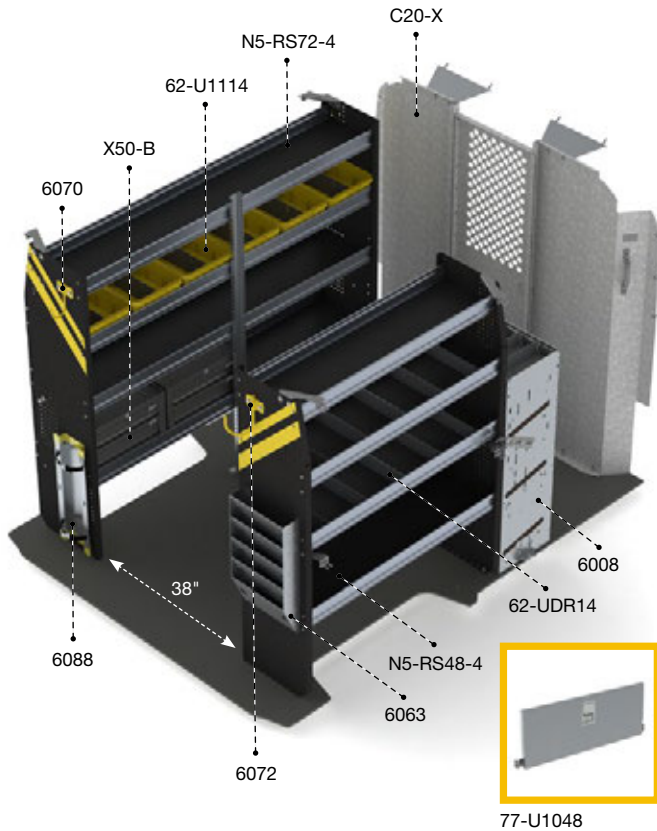
Steel	159", 159" Ext.	High
402 lbs	6.3 hrs	Yes

Qty	Part #	Description
1	6063	Paper holder, extra deep, 5 slots
1	6070	6" Hook, 3" opening, painted
1	6072	8" Swivel hook, 4" opening, painted
8	62-U1114	14" Deep plastic bin
2	62-UDR14	Set of 5 dividers for a 14" shelf
1	7124	Reel holder with two 5/8" diameter rods
2	77-U1048	Adjustable shelving door unit - 45" W - for 48" & 96" shelves
1	C20-X	Straight steel partition with perforated window, no access
1	N5-RS60-4	Steel shelving unit for high roof van, 14" D x 60" W x 62" H
1	N5-RS96-4	Steel shelving unit for high roof van, 14" D x 96" W x 62" H
1	X50-B	Compact 2-drawer unit
1	X50-C	Compact 3-drawer unit



RAM PROMASTER

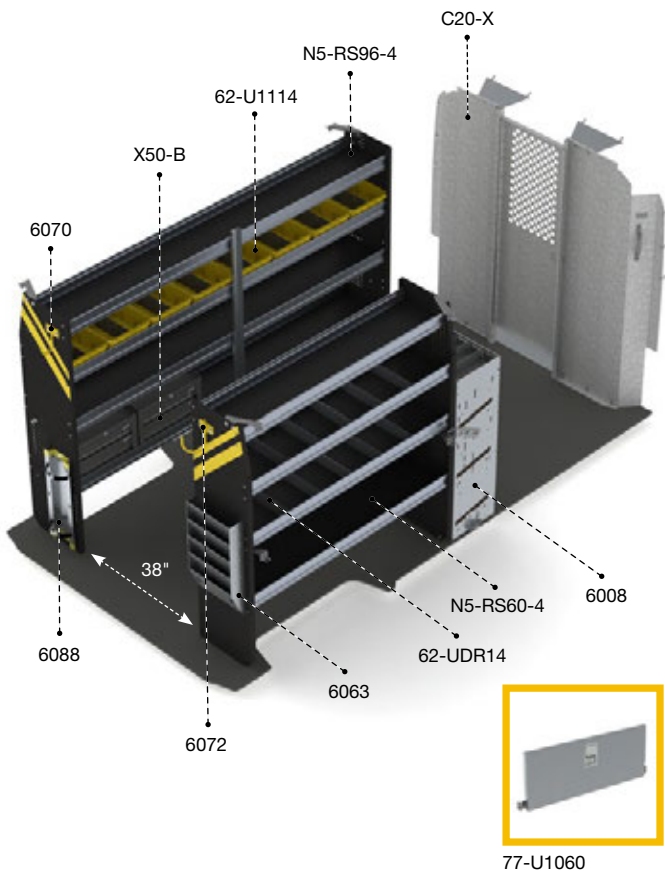
PACKAGES



RPS-12 HVAC

	Steel		118", 136"		Low / High
	376 lbs		6.1 hrs		Yes

Qty	Part #	Description
1	6008	3 Tier refrigerant rack for large bottles
1	6063	Paper holder, extra deep, 5 slots
1	6070	6" Hook, 3" opening, painted
1	6072	8" Swivel hook, 4" opening, painted
1	6088	Large aluminum bottle holder, with two black nylon straps
6	62-U1114	14" Deep plastic bin
2	62-UDR14	Set of 5 dividers for a 14" shelf
1	77-U1048	Adjustable shelving door unit - 45" W - for 48" & 96"shelves
1	C20-X	Straight steel partition with perforated window, no access
1	N5-RS48-4	Steel shelving unit for high roof van, 14" D x 48" W x 62" H
1	N5-RS72-4	Steel shelving unit for high roof van, 14" D x 72" W x 62" H
2	X50-B	Compact 2-drawer unit



RPL-12 HVAC

	Steel		159", 159" Ext.		High
	412 lbs		6.1 hrs		Yes

Qty	Part #	Description
1	6008	3 Tier refrigerant rack for large bottles
1	6063	Paper holder, extra deep, 5 slots
1	6070	6" Hook, 3" opening, painted
1	6072	8" Swivel hook, 4" opening, painted
1	6088	Large aluminum bottle holder, with two black nylon straps
8	62-U1114	14" Deep plastic bin
2	62-UDR14	Set of 5 dividers for a 14" shelf
1	77-U1060	Adjustable shelving door unit - 57" W - for 60" shelves
1	C20-X	Straight steel partition with perforated window, no access
1	N5-RS60-4	Steel shelving unit for high roof van, 14" D x 60" W x 62" H
1	N5-RS96-4	Steel shelving unit for high roof van, 14" D x 96" W x 62" H
2	X50-B	Compact 2-drawer unit



SERVICE **RPS-16**

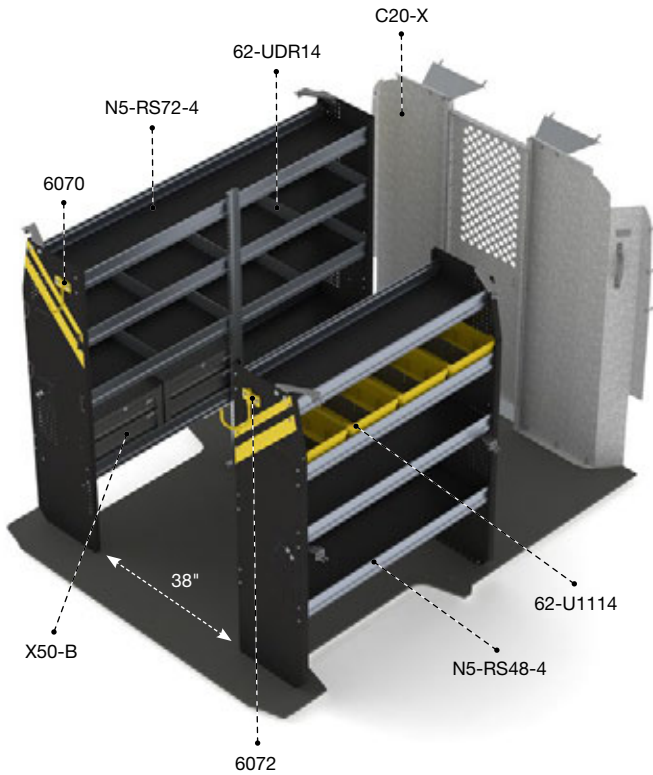
RAM PROMASTER





RAM PROMASTER

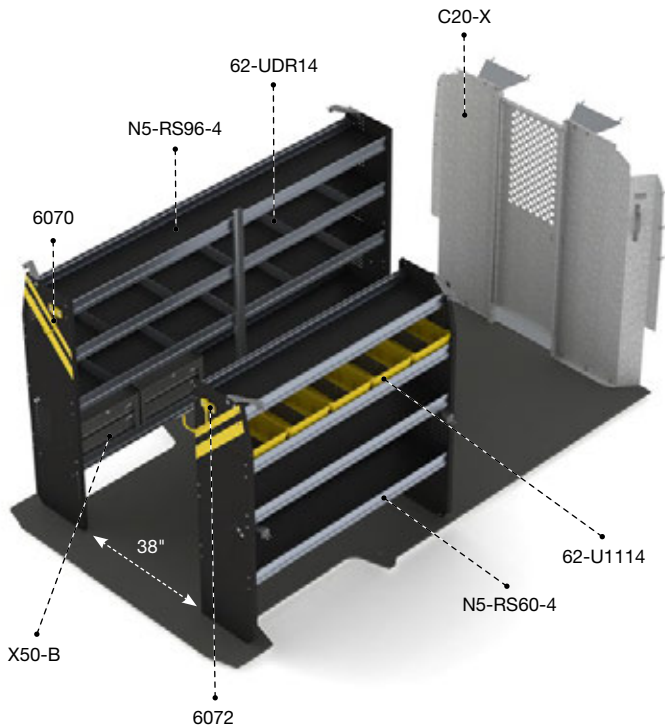
PACKAGES



RPS-16 SERVICE

	Steel		118", 136"		Low / High
	326 lbs		4.6 hrs		Yes

Qty	Part #	Description
1	6070	6" Hook, 3" opening, painted
1	6072	8" Swivel hook, 4" opening, painted
4	62-U1114	14" Deep plastic bin
2	62-UDR14	Set of 5 dividers for a 14" shelf
1	C20-X	Straight steel partition with perforated window, no access
1	N5-RS48-4	Steel shelving unit for high roof van, 14" D x 48" W x 62" H
1	N5-RS72-4	Steel shelving unit for high roof van, 14" D x 72" W x 62" H
2	X50-B	Compact 2-drawer unit



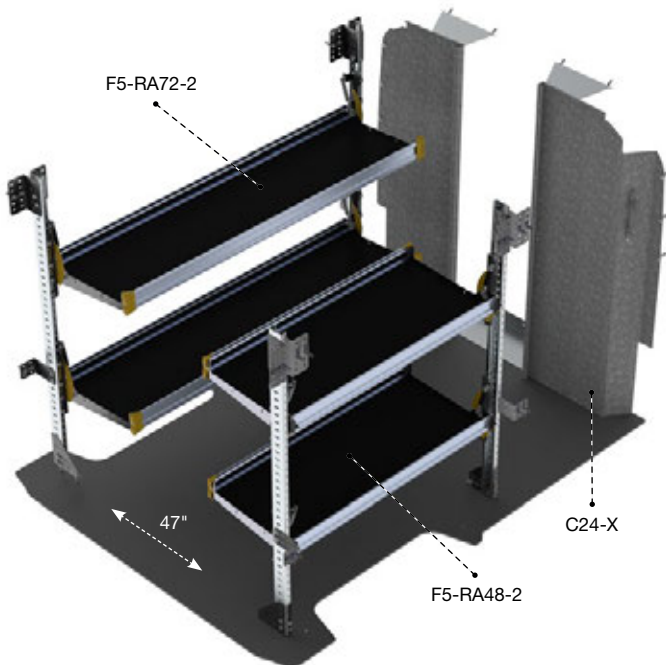
RPL-16 SERVICE

	Steel		159", 159" Ext.		High
	359 lbs		4.6 hrs		Yes

Qty	Part #	Description
1	6070	6" Hook, 3" opening, painted
1	6072	8" Swivel hook, 4" opening, painted
5	62-U1114	14" Deep plastic bin
2	62-UDR14	Set of 5 dividers for a 14" shelf
1	C20-X	Straight steel partition with perforated window, no access
1	N5-RS60-4	Steel shelving unit for high roof van, 14" D x 60" W x 62" H
1	N5-RS96-4	Steel shelving unit for high roof van, 14" D x 96" W x 62" H
2	X50-B	Compact 2-drawer unit



RAM PROMASTER

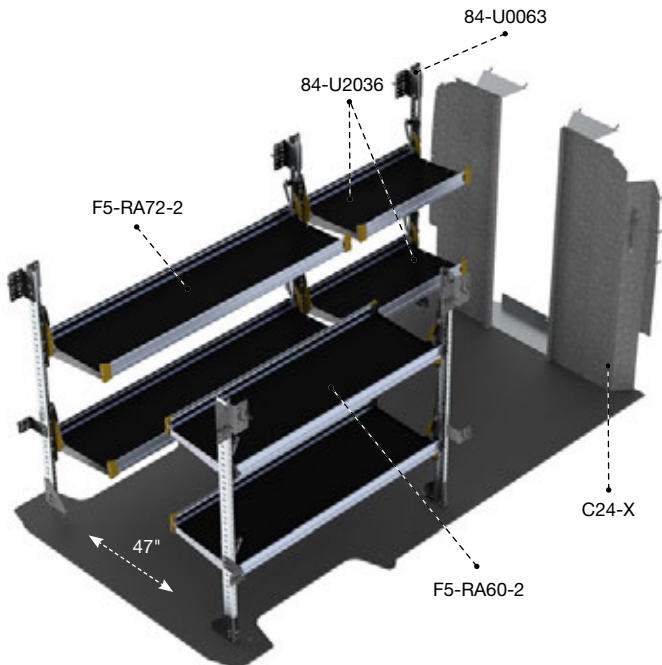


RPS-19
DELIVERY

Aluminum	118", 136"	Low / High
228 lbs	4.2 hrs	Yes

Qty	Part #	Description
1	C24-X	Straight walk through steel partition
1	F5-RA72-2	Fold-away unit, 2 levels, 25" D x 72" W x 63" H
1	F5-RA48-2	Fold-away unit, 2 levels, 25" D x 48" W x 63" H

PACKAGES



RPL-19
DELIVERY

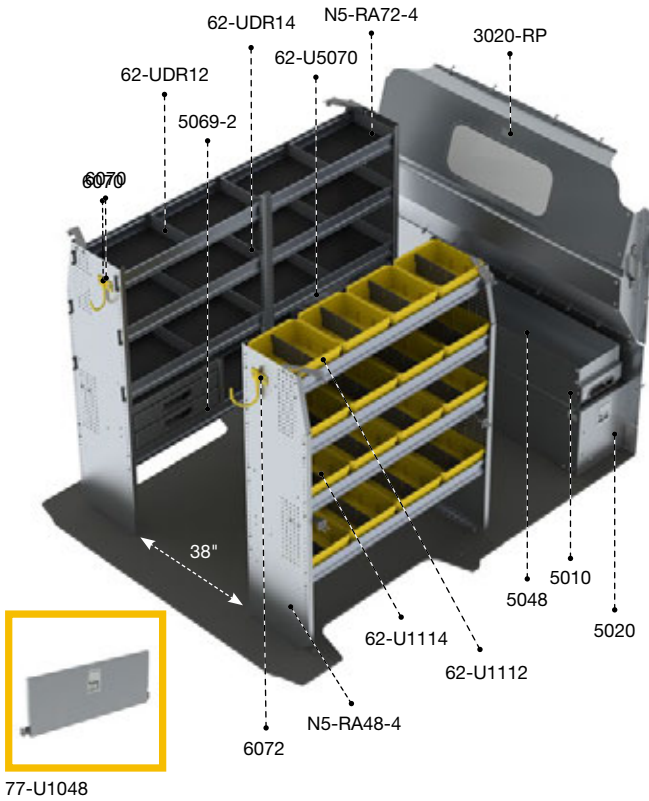
Aluminum	159", 159" Ext.	High
289 lbs	5.3 hrs	Yes

Qty	Part #	Description
1	C24-X	Straight walk through partition
1	F5-RA60-2	Fold-away unit, 2 levels, 25" D x 60" W x 63" H
1	F5-RA72-2	Fold-away unit, 2 levels, 25" D x 72" W x 63" H
1	84-U0063	Post assembly for fold-away shelving, 63"
2	84-U2036	Fold-away shelf tray, 20" D x 36" W



RAM PROMASTER

PACKAGES



RPS-27 ALUMINUM

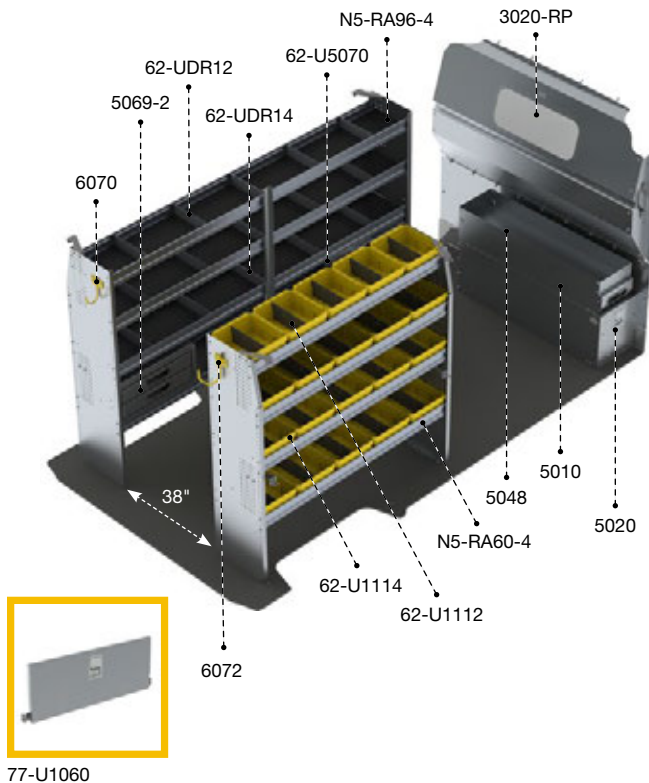
Aluminum	118", 136"	Low / High
420 lbs	7.3 hrs	Yes

Qty	Part #	Description
1	3020-RP	Countoured safety partition with glass window
1	5010	Partslider 48" D
1	5020	Tool drawer 48" D x 14" W x 16" H
1	5048	Top edge
1	5069-2	2 Drawer cabinet
2	62-U5070	Partskeeper carry case with holder
1	6070	6" Hook, 3" opening, painted
1	6072	8" Swivel hook, 4" opening, painted
4	62-U1112	12" Deep plastic bin
12	62-U1114	14" Deep plastic bin
1	62-UDR12	Set of 5 dividers for a 12" shelf
2	62-UDR14	Set of 5 dividers for a 14" shelf
1	77-U1048	Adjustable shelving door unit - 45" W - for 48" & 96" shelves
1	N5-RA48-4	Aluminum shelving unit for high roof van, 14" D x 48" W x 62" H
1	N5-RA72-4	Aluminum shelving unit for high roof van, 14" D x 72" W x 62" H

RPL-27 ALUMINUM

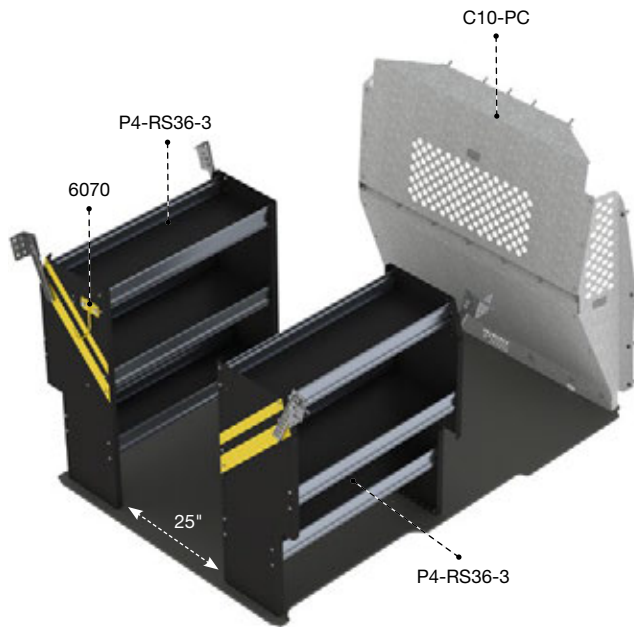
Aluminum	159", 159" Ext.	High
460 lbs	7.3 hrs	Yes

Qty	Part #	Description
1	3020-RP	Countoured safety partition with glass window
1	5010	Partslider 48" D
1	5020	Tool drawer 48" D x 14" W x 16" H
1	5048	Top edge
1	5069-2	2 Drawer cabinet
2	62-U5070	Partskeeper carry case with holder
1	6070	6" Hook, 3" opening, painted
1	6072	8" Swivel hook, 4" opening, painted
5	62-U1112	12" deep plastic bin
15	62-U1114	14" deep plastic bin
1	62-UDR12	Set of 5 dividers for a 12" Shelf
2	62-UDR14	Set of 5 dividers for a 14" Shelf
1	77-U1060	Adjustable shelving door unit - 57" W - for 60" shelves
1	N5-RA60-4	Aluminum Shelving Unit for high roof van, 14" D x 60" W x 62" H
1	N5-RA96-4	Aluminum Shelving Unit for high roof van, 14" D x 96" W x 62" H





RAM **PROMASTER CITY**

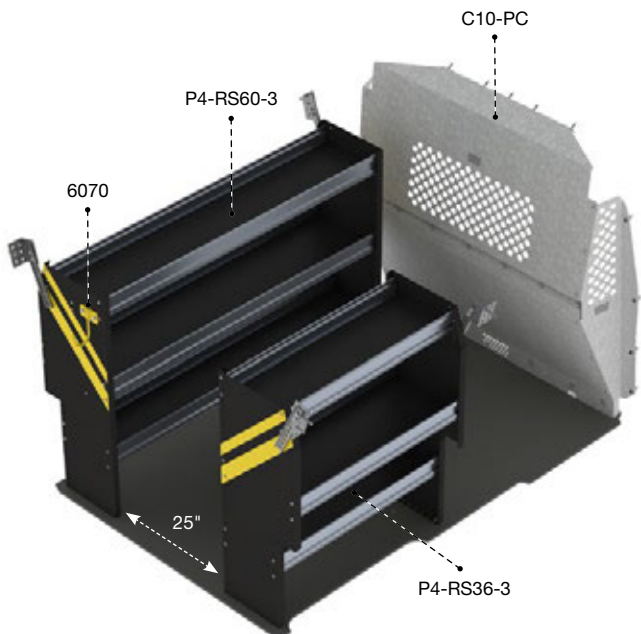


PMC-10
CONTRACTOR

Steel	122"	Standard
156 lbs	3.2 hrs	Yes

Qty	Part #	Description
1	6070	6" Hook, 3" opening, painted
1	C10-PC	Contoured steel partition with perforated window
2	P4-RS36-3	Steel shelving unit for Promaster City 14" D x 36" W x 42" H

PACKAGES



PMD-10
CONTRACTOR

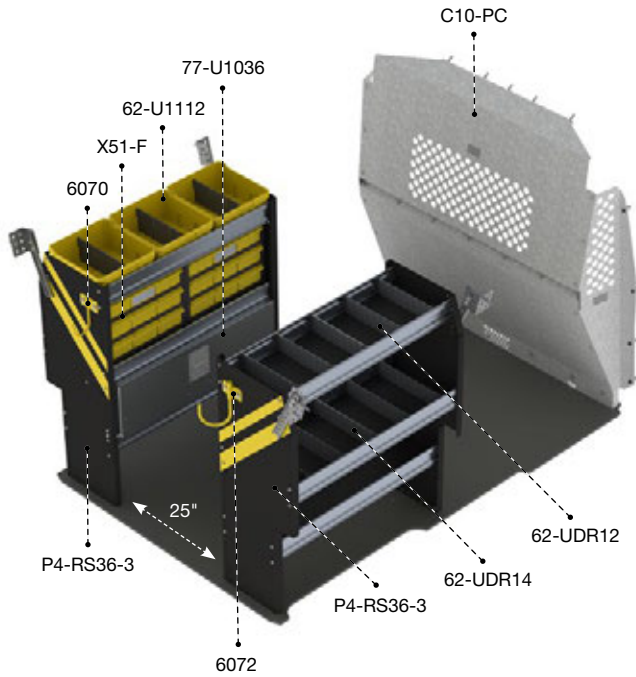
Steel	122"	Standard
170 lbs	3.2 hrs	Yes

Qty	Part #	Description
1	6070	6" Hook, 3" opening, painted
1	C10-PC	Contoured steel partition with perforated window
1	P4-RS36-3	Steel shelving unit for ProMaster City 14" D x 36" W x 42" H
1	P4-RS60-3	Steel shelving unit for ProMaster City 14" D x 60" W x 42" H



RAM PROMASTER CITY

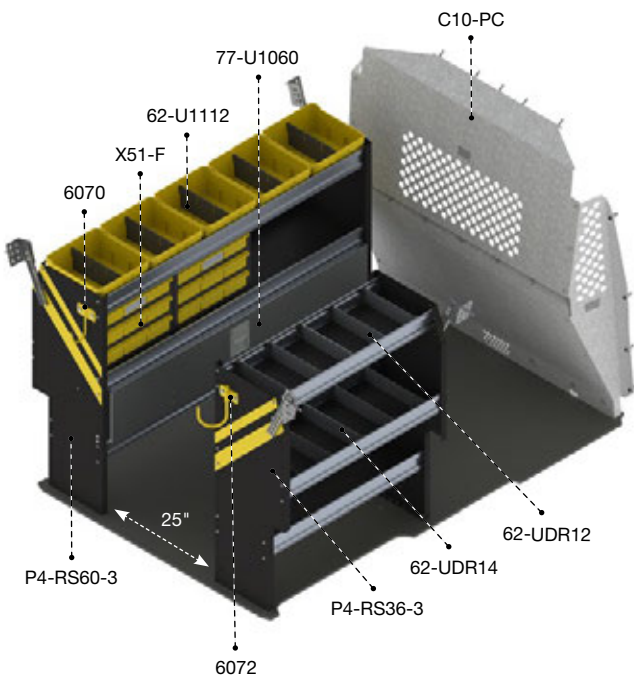
PACKAGES



PMC-11 ELECTRICAL

Steel	122"	Standard
230 lbs	4.5 hrs	Yes

Qty	Part #	Description
1	6070	6" Hook, 3" opening, painted
1	6072	8" Swivel hook, 4" opening, painted
3	62-U1112	12" Deep plastic bin
1	62-UDR12	Set of 5 dividers for a 12" shelf
1	62-UDR14	Set of 5 dividers for a 14" shelf
1	77-U1036	Adjustable shelving door unit - 33" W - for 36" & 72" shelves
1	C10-PC	Contoured steel partition with perforated window
2	P4-RS36-3	Steel shelving unit for ProMaster City 14" D x 36" H x 42" W
2	X51-F	Compact 9-drawer unit



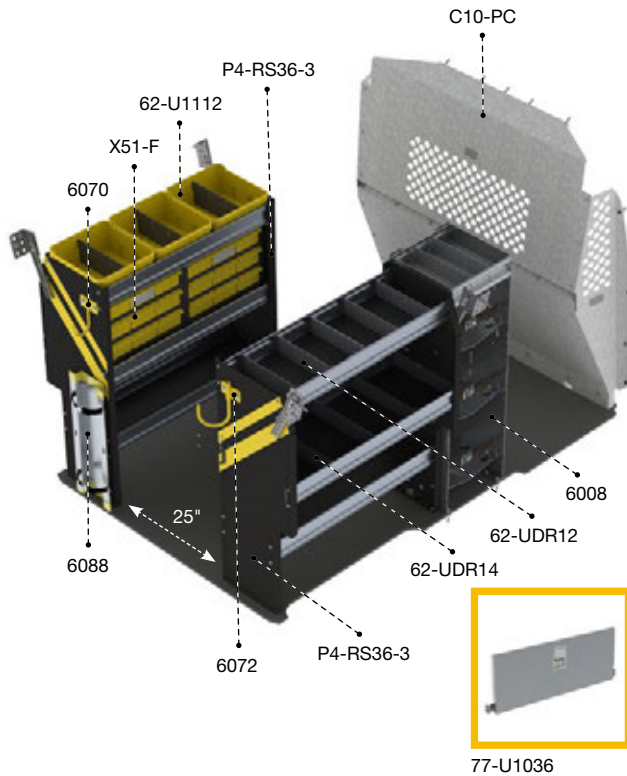
PMD-11 ELECTRICAL

Steel	122"	Standard
251 lbs	4.5 hrs	Yes

Qty	Part #	Description
1	6070	6" Hook, 3" opening, painted
1	6072	8" Swivel hook, 4" opening, painted
5	62-U1112	12" Deep plastic bin
1	62-UDR12	Set of 5 dividers for a 12" shelf
1	62-UDR14	Set of 5 dividers for a 14" shelf
1	77-U1060	Adjustable shelving door unit - 57" W - for 60" shelves
1	C10-PC	Contoured steel partition with perforated window
1	P4-RS36-3	Steel shelving unit for ProMaster City 14" D x 36" H x 42" W
1	P4-RS60-3	Steel shelving unit for ProMaster City 14" D x 60" H x 42" W
2	X51-F	Compact 9-drawer unit



RAM **PROMASTER CITY**



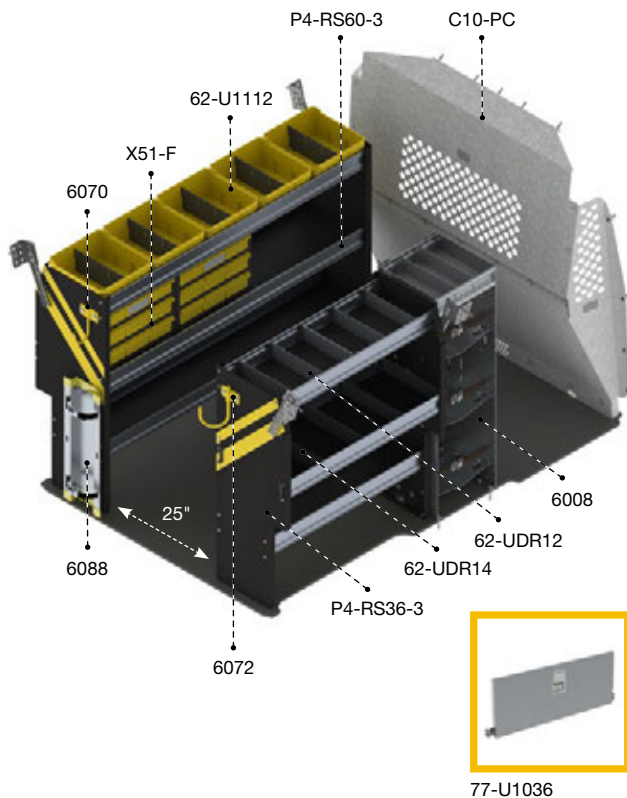
PMC-12

HVAC

Steel	122"	Standard
260 lbs	5.3 hrs	Yes

Qty	Part #	Description
1	6008	3 Tier refrigerant rack for large bottles
1	6070	6" Hook, 3" opening, painted
1	6072	8" Swivel hook, 4" opening, painted
1	6088	Large aluminum bottle holder, with two black nylon straps
3	62-U1112	12" Deep plastic bin
1	62-UDR12	Set of 5 dividers for a 12" shelf
1	62-UDR14	Set of 5 dividers for a 14" shelf
1	77-U1036	Adjustable shelving door unit - 33" W - for 36" & 72" shelves
1	C10-PC	Contoured steel partition with perforated window
2	P4-RS36-3	Steel shelving unit for ProMaster City 14" D x 36" W x 42" H
2	X51-F	Compact 9-drawer unit

PACKAGES



PMD-12

HVAC

Steel	122"	Standard
278 lbs	5.3 hrs	Yes

Qty	Part #	Description
1	6008	3 Tier refrigerant rack for large bottles
1	6070	6" Hook, 3" opening, painted
1	6072	8" Swivel hook, 4" opening, painted
1	6088	Large aluminum bottle holder, with two black nylon straps
5	62-U1112	12" Deep plastic bin
1	62-UDR12	Set of 5 dividers for a 12" shelf
1	62-UDR14	Set of 5 dividers for a 14" shelf
1	77-U1036	Adjustable shelving door unit - 33" W - for 36" & 72" shelves
1	C10-PC	Contoured steel partition with perforated window
1	P4-RS36-3	Steel shelving unit for ProMaster City 14" D x 36" W x 42" H
1	P4-RS60-3	Steel shelving unit for ProMaster City 14" D x 60" W x 42" H
2	X51-F	Compact 9-drawer unit



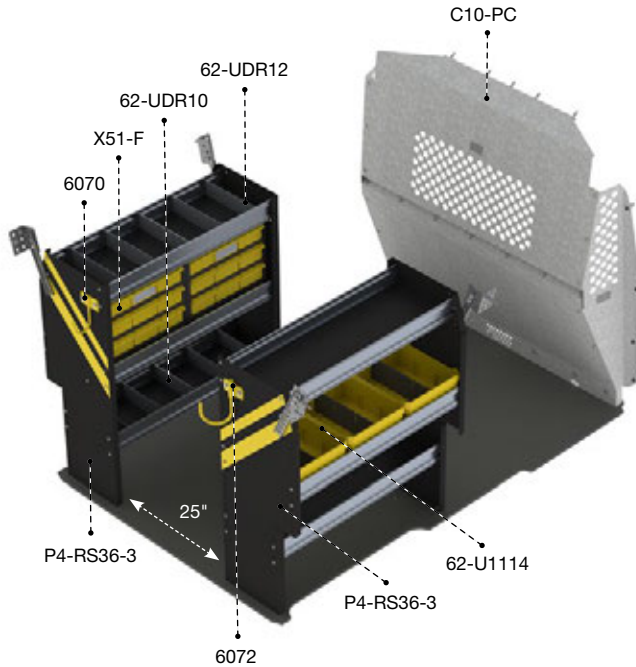
SERVICE
PMC-16

RAM **PROMASTER CITY**





RAM **PROMASTER CITY**

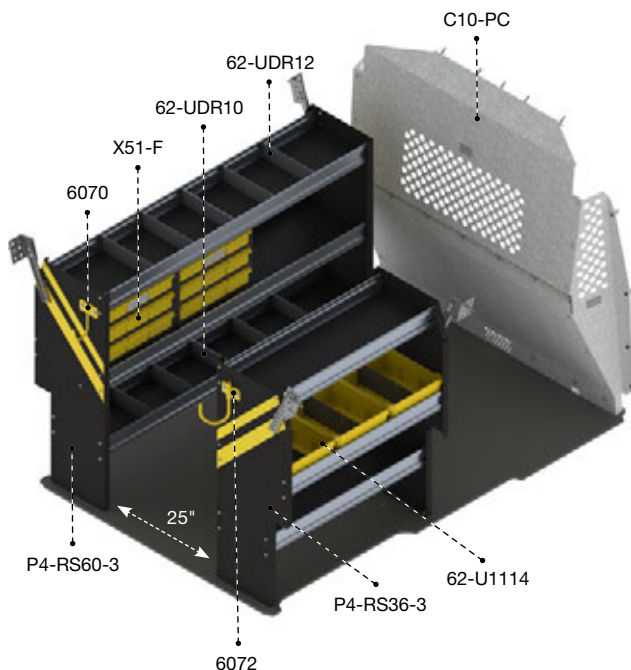


PMC-16
SERVICE

Steel	122"	Standard
223 lbs	4 hrs	Yes

Qty	Part #	Description
1	6070	6" Hook, 3" opening, painted
1	6072	8" Swivel hook, 4" opening, painted
3	62-U1114	14" Deep plastic bin
1	62-UDR10	Set of 5 dividers for a 10" shelf
1	62-UDR12	Set of 5 dividers for a 12" shelf
1	C10-PC	Contoured steel partition with perforated window
2	P4-RS36-3	Steel shelving unit for ProMaster City 14" D x 36" W x 42" H
2	X51-F	Compact 9-drawer unit

PACKAGES



PMD-16
SERVICE

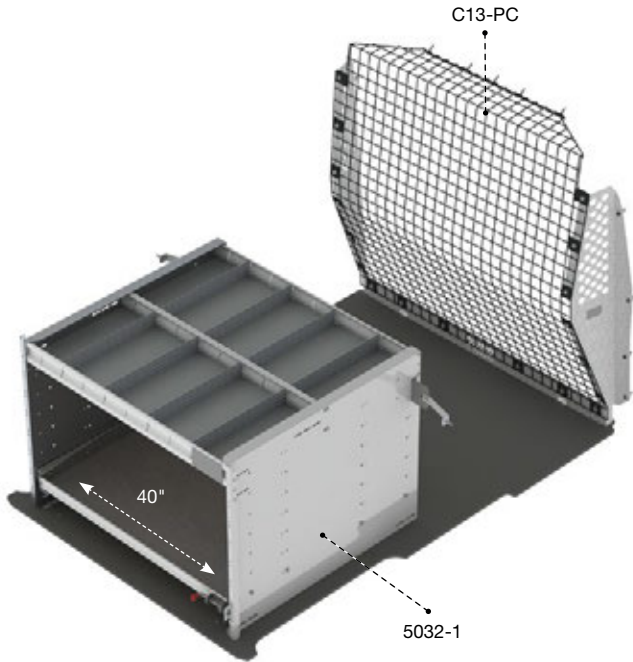
Steel	122"	Standard
237 lbs	4 hrs	Yes

Qty	Part #	Description
1	6070	6" Hook, 3" opening, painted
1	6072	8" Swivel hook, 4" opening, painted
3	62-U1114	14" Deep plastic bin
1	62-UDR10	Set of 5 dividers for a 10" shelf
1	62-UDR12	Set of 5 dividers for a 12" shelf
1	C10-PC	Contoured steel partition with perforated window
1	P4-RS36-3	Steel shelving unit for ProMaster City 14" D x 36" W x 42" H
1	P4-RS60-3	Steel shelving unit for ProMaster City 14" D x 60" W x 42" H
2	X51-F	Compact 9-drawer unit



RAM PROMASTER CITY

PACKAGES

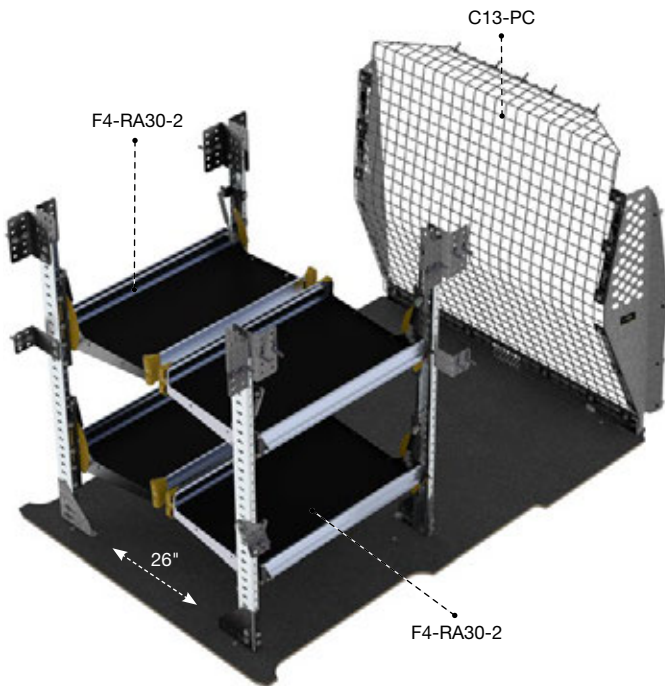


PMC-19 DELIVERY

Aluminum	122"	Standard
161 lbs	2 hrs	Yes

Qty	Part #	Description
1	5032-1	Axess tray with 1 shelf and 1 drawer, 38" D x 45" W x 30" H
1	C13-PC	Wire mesh partition, 38" D x 45" W x 30" H

Install kit # 6400 can be purchased separately.



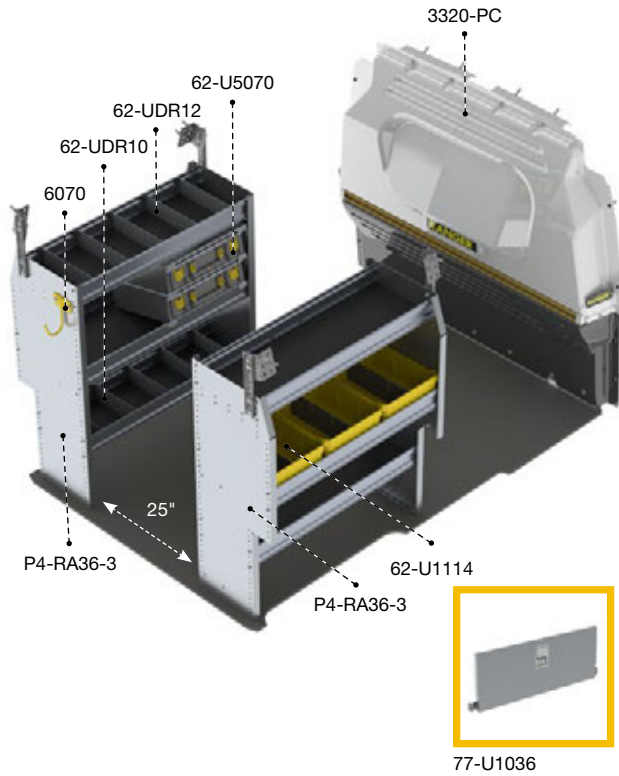
PMD-19 DELIVERY

Aluminum	122"	Standard
188 lbs	4.2 hrs	Yes

Qty	Part #	Description
1	C13-PC	Wire mesh partition
2	F4-RA30-2	Fold-away unit, 2 levels, 22" D x 30" W x 47" H



RAM **PROMASTER CITY**

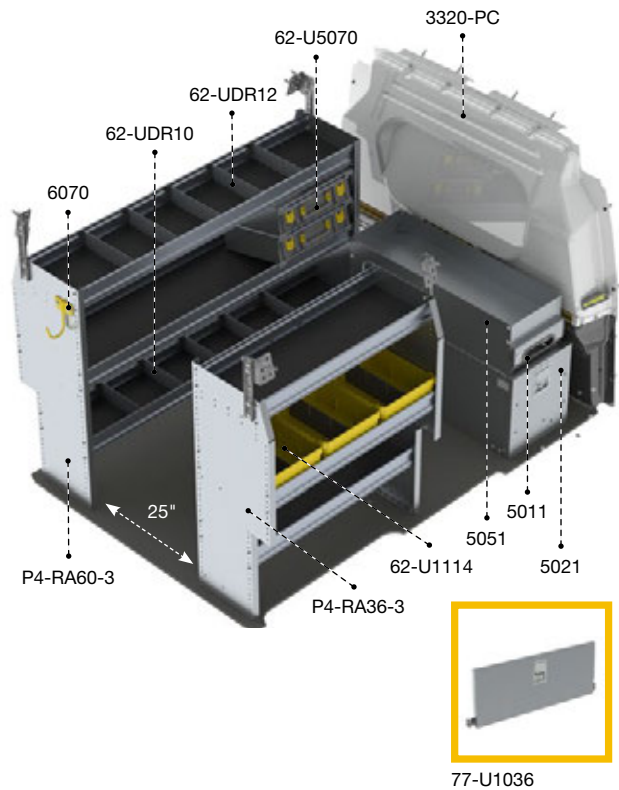


PMC-27
ALUMINUM

Aluminum	122"	Standard
152 lbs	4.3 hrs	Yes

Qty	Part #	Description
1	3320-PC	Max View countoured safety partition
2	62-U5070	Partskeeper carry case with holder
1	6070	6" Hook, 3" opening, painted
3	62-U1114	14" Deep plastic bin
1	62-UDR10	Set of 5 dividers for a 10" shelf
1	62-UDR12	Set of 5 dividers for a 12" shelf
1	77-U1036	Adjustable shelving door unit - 33" W - for 36" & 72" shelves
2	P4-RA36-3	Aluminum shelving unit for ProMaster City 14" D x 36" W x 42" H

PACKAGES



PMD-27
ALUMINUM

Aluminum	122"	Standard
242 lbs	6 hrs	Yes

Qty	Part #	Description
1	3320-PC	Max View countoured safety partition
1	5011	Partslider 36" D
1	5021	Tool drawer 36" D x 14" W x 16" H
1	5051	Top edge
2	62-U5070	Partskeeper carry case with holder
1	6070	6" Hook, 3" opening, painted
3	62-U1114	14" Deep plastic bin
1	62-UDR10	Set of 5 dividers for a 10" shelf
1	62-UDR12	Set of 5 dividers for a 12" shelf
1	77-U1036	Adjustable shelving door unit - 33" W - for 36" & 72" shelves
1	P4-RA36-3	Aluminum shelving unit for ProMaster City 14" D x 36" W x 42" H
1	P4-RA60-3	Aluminum shelving unit for ProMaster City 14" D x 60" W x 42" H