

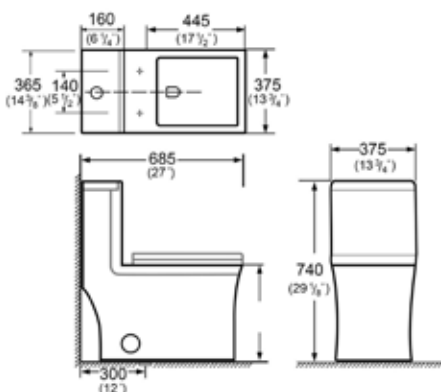
Square+

Features

One-Piece
Siphonic flush system
R&T dual flush mechanism
UF/PP seat cover
Required minimum 12" (305mm) rough-in
Includes chrome plated top flush actuator
27x13-3/4"x29-1/8" (685x375x740mm)
Vitreous china.

Components

Tank Cover
Top flush push button
Flush valve and Fill valve
Installation screw and Seal ring
Toilet seat cover
Plastic cap



Codes & Standards

Codes: Uniform Plumbing Code (UPC®)
National Plumbing Code of Canada
Standards: ASME A112.19.2-2013/CAS B45-13
including Update No. 1 dated October 2013
EPA WaterSense Specification for Tank-Type
Toilet (Version 1.2, dates 2014-06-02)

Certifications

IAPMO(cUPC) File No.: 11135
EPA WaterSense File No.: 10533
MaP Report No.: 49-014

