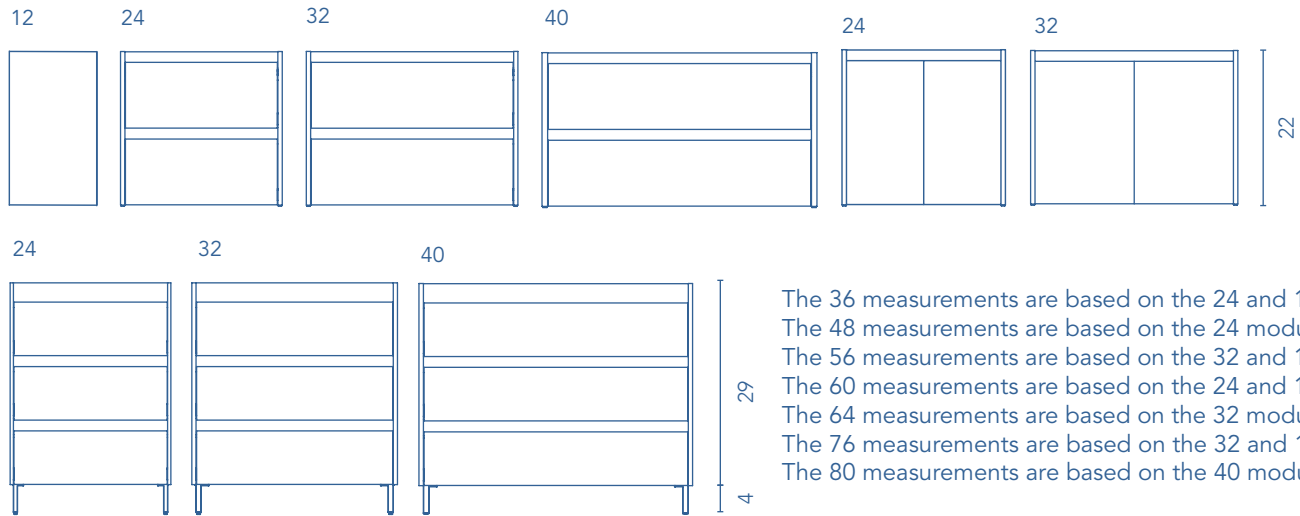


# SANSA

## UNITS

Depth 18

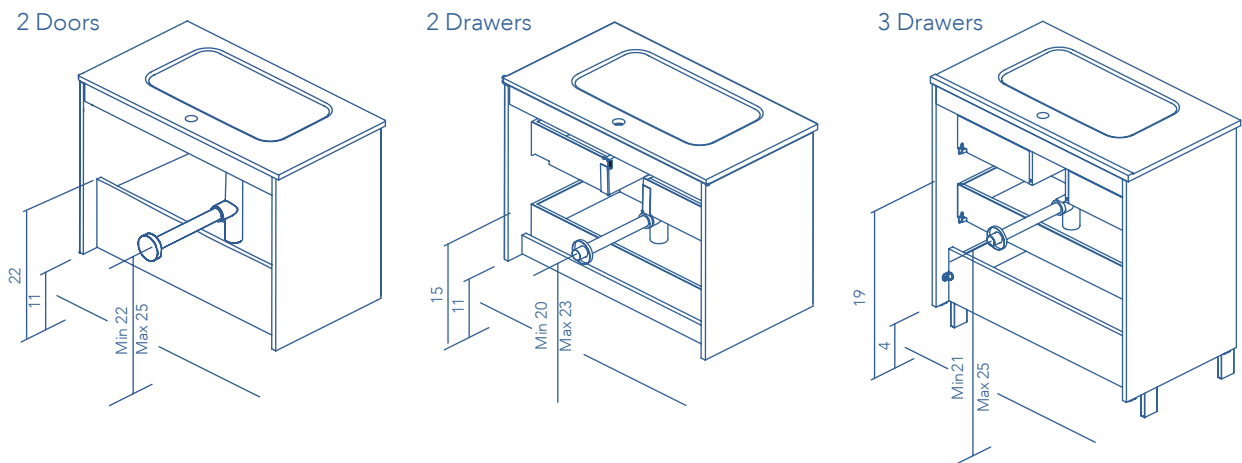


The 36 measurements are based on the 24 and 12 modules.  
 The 48 measurements are based on the 24 modules.  
 The 56 measurements are based on the 32 and 12 modules.  
 The 60 measurements are based on the 24 and 12 modules.  
 The 64 measurements are based on the 32 modules.  
 The 76 measurements are based on the 32 and 12 modules.  
 The 80 measurements are based on the 40 modules.

## TECHNICAL INFORMATION

- STRUCTURE:** High gloss lacquered 5/8 in board and melamine 5/8 in board.
- FRONT:** High gloss lacquered 5/8 in board and melamine 5/8 in board.
- HANDLE:** Integrated in the front of the furniture.
- HINGE:** 105° opening, Ø 1 in. cap, easy assembly and soft closing system.
- DRAWER:** Drawers made in grey textile poly laminate coated board with high quality hidden partial extraction runners with soft close system. Lower drawer useful space (widthxhighxdepth): 20x4x13 in (unit 24 in), 28x4x13 in (unit 32 in), 36x4x13 in (unit 40 in) .
- WALL HANGING BRACKET:** Hidden hanging brackets with direct assembling system, great resistance and depth regulation.
- LEGS:** For set with 3 drawers, ABS in bright chrome finish with adjustable legs. Included in unit.
- PIPE DEPTH:** Pipe depth 3 in.

## SIPHON PLACEMENT



## FINISHES



SANDY GREY

TOFFEE WALNUT

WHITE

ANTHRACITE