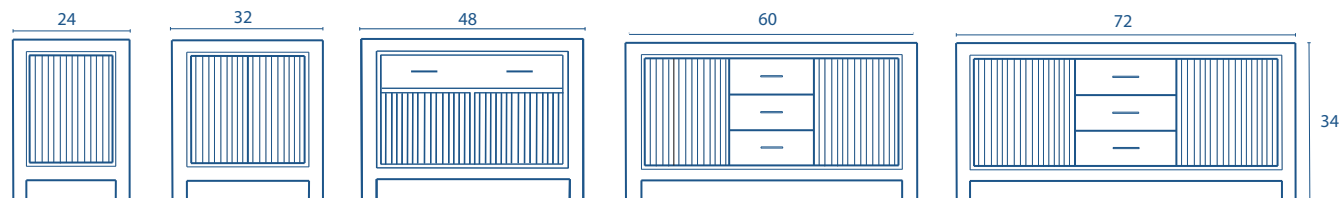


NEW VERSALLES

UNITS

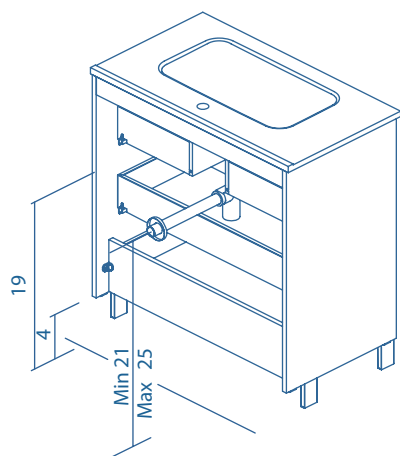
Depth 18



TECHNICAL INFORMATION

STRUCTURE:	Matt lacquered real wood.
FRONT:	Matt lacquered 3/4 in. MDF board.
HANDLE:	Metallic chrome handle.
HINGE:	105° opening, Ø 1 in. cap, easy assembly and soft closing system.
DRAWER:	Wood finish with high quality hidden full extraction runners with soft close system.
WALL HANGING BRACKET:	Hidden hanging brackets with direct assembling system, great resistance and depth regulation.
LEGS:	Integrated legs.
PIPE DEPTH:	Space behind drawer is 3 in.

SIPHON PLACEMENT



FINISHES



Finishes may vary