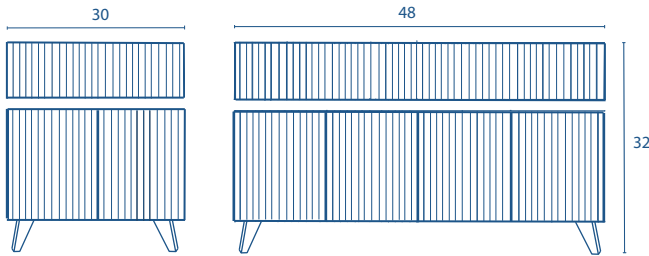


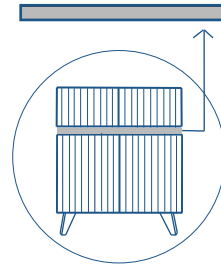
HABANA

UNITS

Depth 18



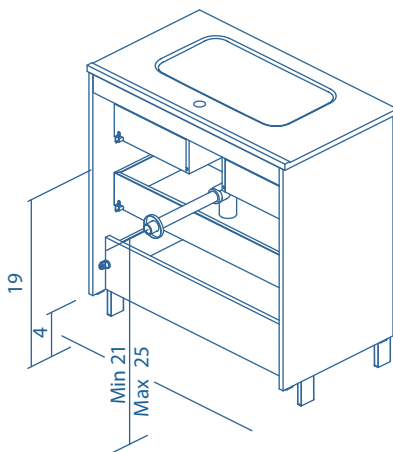
Gola



TECHNICAL INFORMATION

| | |
|-----------------------|--|
| STRUCTURE: | Matt lacquered 3/4 in. board. |
| FRONT: | Matt lacquered 3/4 in. MDF board. |
| HANDLE: | Integrated in the front of the furniture. |
| HINGE: | 105° opening, Ø 1 in. cap, easy assembly and soft closing system. |
| DRAWERS: | Wood finish with high quality hidden full extraction runners with soft close system. |
| WALL HANGING BRACKET: | Hidden hanging bracket for hidden installation with great resistance and depth regulation. |
| LEGS: | Legs included. |
| TOP DRAWER: | Includes "U" Shape. |
| PIPE DEPTH: | Space behind drawer is 3 in. |

SIPHON PLACEMENT



FINISHES



GOLA FINISHES

