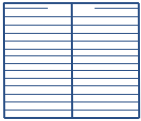


# CANE

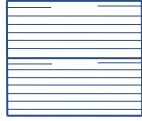
## UNITS

Depth 20

32



32



Side Unit

14



Legs



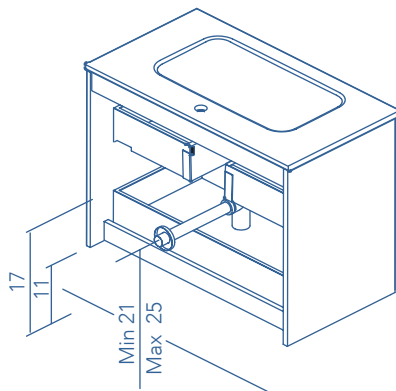
The 46 measurements are based on the 32 and 14 modules.  
The 64 measurements are based on the 32 modules.  
The 78 measurements are based on the 32 and 14 modules.

## TECHNICAL INFORMATION

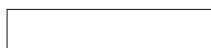
STRUCTURE:	Matt lacquered 3/4 in. board.
FRONT:	Matt lacquered 3/4 in. MDF board.
HANDLE:	Integrated in the front of the furniture.
HINGE:	105° opening, Ø 1 in. cap, easy assembly and soft closing system.
DRAWERS:	Wood finish with high quality hidden full extraction runners with soft close system.
WALL HANGING BRACKET:	Hidden hanging bracket for hidden installation with great resistance and depth regulation.
LEGS:	Optional legs.
TOP DRAWER:	Includes "U" Shape.
PIPE DEPTH:	Space behind drawer is 3 in.

## SIPHON PLACEMENT

CANE · Depth 20



## FINISHES



MATT SNOW



MATT NAVY BLUE



MATT ASH



MATT COTTON