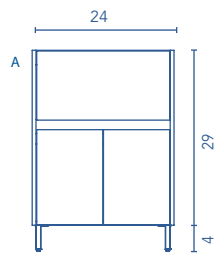


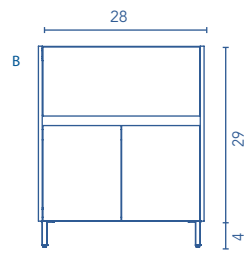
# BAND

## SETS & COMBINATIONS

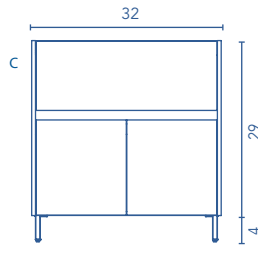
24 in · 1 Drawer 2 Doors



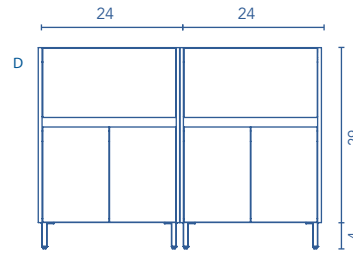
28 in · 1 Drawer 2 Doors



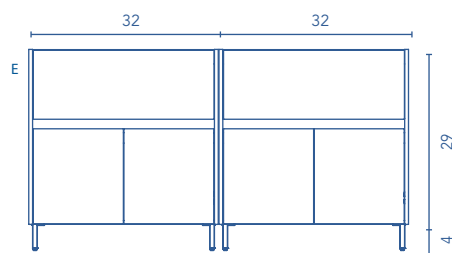
32 in · 1 Drawer 2 Doors



48 in · 2 Drawers 2 Doors



64 in · 2 Drawers 2 Doors

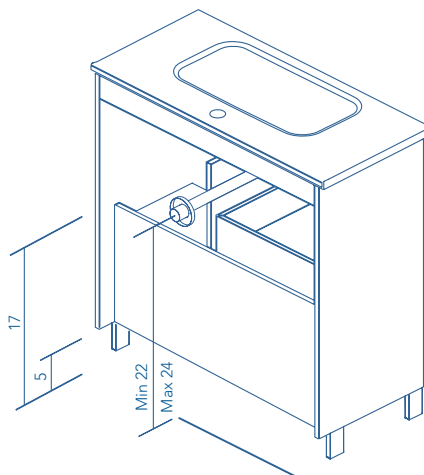


## TECHNICAL INFORMATION

- STRUCTURE:** High gloss lacquered 5/8 in. board and melamine 5/8 in. board.
- FRONT:** High gloss lacquered 5/8 in. board and melamine 5/8 in. board.
- HANDLE:** Integrated in the front of the furniture.
- HINGE:** 105° opening, Ø 1 in. cap, easy assembly and soft closing system.
- DRAWER:** Drawers made in coconut textile interior coated board with high quality hidden partial extraction runners with soft close system. Drawer useful space (widthxheightxdepth): 20x4x13 in. (unit 24 in.), 24x4x13 in. (unit 28 in.), 28x4x13 in. (unit 32 in.).
- LEGS:** ABS, metallic in the finish.
- PIPE DEPTH:** Space behind drawer is 3 inches.

## SIPHON PLACEMENT

1 Drawer 2 Doors



## FINISHES



TOFFEE WALNUT



MATT WHITE



GLOSS GALET