

10FT TRAMPOLINE DISCOVERY

A PERFECT JUMP ZONE FOR ENTRY-LEVEL SPACE CADETS.



QUICK RELEASE POLE SYSTEM
(Drop the net in seconds!)



360° SAFETY NET
Secured with Orbit Ring Technology



CURVED SOFTFOAM POLES
for Larger Jump Area



UV RESISTANT
Netting and Pads



PROTECTIVE SOFTFOAM PADDING
for Extra Safety



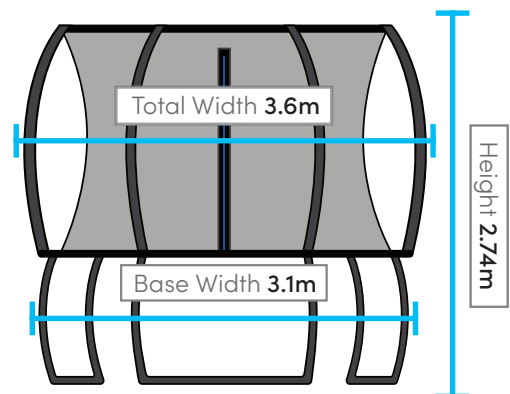
HIGH TENSILE SPRINGS
for the Ultimate Bounce



STEEL FRAMING
Galvanised & Powder Coated

DIMENSIONS

Weight Rating 150kg



TRAMPOLINE FRAME
WARRANTY



JUMP MAT & SPRINGS
WARRANTY



PADS, NET & POLES
WARRANTY

OUR LOW
PRICE

\$899

INCLUDES FREE
STEEL LADDER WORTH \$99



OUT OF THIS WORLD SERVICE










SATISFACTION GUARANTEE

12FT TRAMPOLINE APOLLO

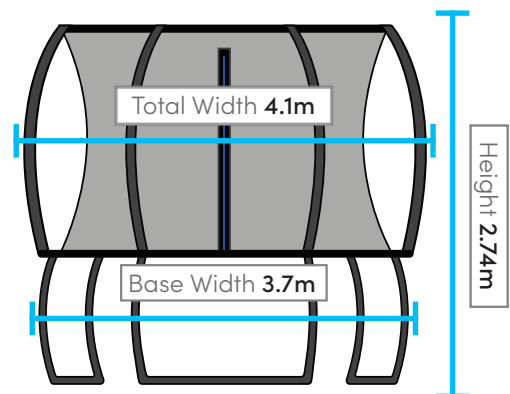
THE MOST POPULAR TRAMPOLINE IN OUR FLEET.



-  **QUICK RELEASE POLE SYSTEM**
(Drop the net in seconds!)
-  **360° SAFETY NET**
Secured with Orbit Ring Technology
-  **CURVED SOFTFOAM POLES**
for Larger Jump Area
-  **UV RESISTANT**
Netting and Pads
-  **PROTECTIVE SOFTFOAM PADDING**
for Extra Safety
-  **HIGH TENSILE SPRINGS**
for the Ultimate Bounce
-  **STEEL FRAMING**
Galvanised & Powder Coated

DIMENSIONS

Weight Rating 250kg



**TRAMPOLINE FRAME
WARRANTY**



**JUMP MAT & SPRINGS
WARRANTY**



**PADS, NET & POLES
WARRANTY**

OUR LOW
PRICE

\$999

**INCLUDES FREE
STEEL LADDER WORTH \$99**



OUT OF THIS WORLD SERVICE





SATISFACTION GUARANTEE

14FT TRAMPOLINE CHALLENGER

A MASSIVE BOUNCE ZONE IDEAL FOR GROUP JUMPING.



-  **QUICK RELEASE POLE SYSTEM**
(Drop the net in seconds!)
-  **360° SAFETY NET**
Secured with Orbit Ring Technology
-  **CURVED SOFTFOAM POLES**
for Larger Jump Area
-  **UV RESISTANT**
Netting and Pads
-  **PROTECTIVE SOFTFOAM PADDING**
for Extra Safety
-  **HIGH TENSILE SPRINGS**
for the Ultimate Bounce
-  **STEEL FRAMING**
Galvanised & Powder Coated



TRAMPOLINE FRAME
WARRANTY



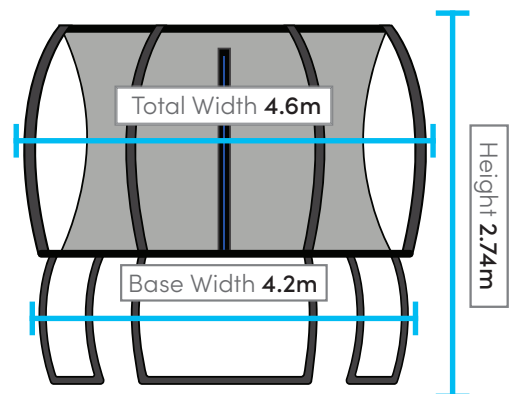
JUMP MAT & SPRINGS
WARRANTY



PADS, NET & POLES
WARRANTY

DIMENSIONS

Weight Rating 250kg



OUR LOW
PRICE

\$1,099

INCLUDES FREE
STEEL LADDER WORTH \$99



OUT OF THIS WORLD SERVICE



SATISFACTION GUARANTEE

15FT TRAMPOLINE ATLANTIS

THE LARGEST TRAMPOLINE IN OUR FLEET.



QUICK RELEASE POLE SYSTEM
(Drop the net in seconds!)



360° SAFETY NET
Secured with Orbit Ring Technology



CURVED SOFTFOAM POLES
for Larger Jump Area



UV RESISTANT
Netting and Pads



PROTECTIVE SOFTFOAM PADDING
for Extra Safety



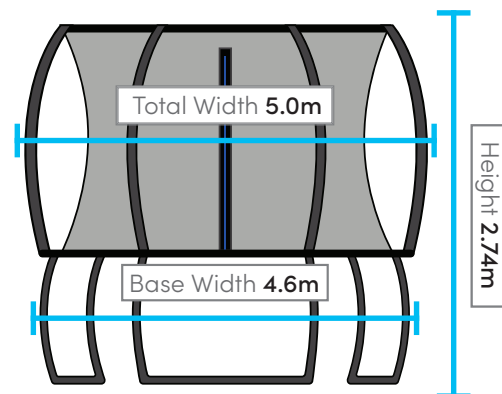
HIGH TENSILE SPRINGS
for the Ultimate Bounce



STEEL FRAMING
Galvanised & Powder Coated

DIMENSIONS

Weight Rating 250kg



10 YEARS
TRAMPOLINE FRAME
WARRANTY



5 YEARS
JUMP MAT & SPRINGS
WARRANTY



3 YEARS
PADS, NET & POLES
WARRANTY

OUR LOW
PRICE

\$1,199

INCLUDES FREE
STEEL LADDER WORTH \$99



OUT OF THIS WORLD SERVICE



SATISFACTION GUARANTEE