

## Chevrolet Corvette C7 Brake Kit

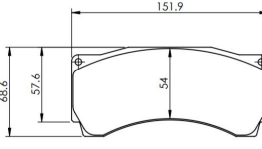
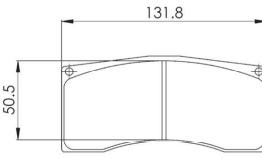


### Kit Specifications

|                           | Brake Kit Part Number |
|---------------------------|-----------------------|
| C7 Car Kit (Front & Rear) | <b>BRK.200516</b>     |
| C7 Front Kit              | <b>BRK.200517</b>     |
| C7 Rear Kit               | <b>BRK.200518</b>     |

| Years  | 2014 - 2019                                      | 2014 - 2019                                      |
|--|--|--|
| Model  | <b>C7</b>  | <b>C7</b>  |
| Axle   | <b>Front</b>                                     | <b>Rear</b>                                      |
| Caliper Part #   | <b>CAR8959Y24SSLT/RT</b>                         | <b>CAR4959AP02PESLL/RL</b>                       |
| Piston Sizes   | <b>6-Piston: 27.0/31.8/38.1mm</b>                | <b>4-Piston: 28.6/31.8mm</b>                     |
| Caliper Weight   | <b>6.7 lbs.</b>                                  | <b>6.0 lbs.</b>                                  |
| Rotor Diameter, Thickness & Vane Count   | <b>380x36mm, 48 Vane</b>                         | <b>375x28mm, 48 Vane</b>                         |
| Rotor Weight   | <b>23.5 lbs.</b>                                 | <b>14.1 lbs.</b>                                 |
| Fits Wheel Size  | <b>?</b>   | <b>?</b>   |
| Left Rotor Assembly Part #   | <b>ROY.101301</b>                                | <b>ROY.101303</b>                                |
| Right Rotor Assembly Part #  | <b>ROY.101302</b>                                | <b>ROY.101304</b>                                |
| Left Rotor Part #  | <b>ROR.910417</b>                                | <b>ROR.910443</b>                                |
| Right Rotor Part #   | <b>ROR.910418</b>                                | <b>ROR.910444</b>                                |
| Hat Part #   | <b>HAT.101309</b>                                | <b>HAT.101310</b>                                |
| Bracket Part #   | <b>BRT.101311</b>                                | <b>BRT.101312</b>                                |
| Stud Part #  | <b>STT.101276</b>                                | <b>STT.101276</b>                                |
| Stud Nut & Washer Part #   | <b>PSYMS6, PSYWS6</b>                            | <b>PSYMS6, PSYWS6</b>                            |
| Brake Line Kit Part #<br>(Kit For One Caliper, Includes Banjo, Clip & QTY:2 Banjo Washers) | <b>BRN.101356 (Left),<br/>BRN.101357 (Right)</b> | <b>BRN.101358 (Left),<br/>BRN.101359 (Right)</b> |

| Rotor Hardware For All Rotor Assemblies                 |                                     |
|---|-------------------------------------|
| Round Bobbin Part Number (12 Of Each Per Rotor)         | <b>BOT.100002</b>                   |
| Bolt Part Number (6 Of Each Per Rotor)                  | <b>SCT.100107</b>                   |
| Washer Part Number (12 Of Each Per Rotor)               | <b>HAE.100248</b>                   |
| Anti-Rattle Clips For All Rotor Assemblies              |                                     |
| Anti-Rattle Clips (6 Of Each Per Rotor)                 | <b>ANP.100538</b>                   |
| Anti-Rattle Clip Bolt Part Number (6 Of Each Per Rotor) | <b>SCT.100542</b>                   |
| Anti-Rattle Clip Washers (6 Of Each Per Rotor)          | <b>HAE.101018</b>                   |
| Torque Spec   | <b>60 in/lbs. With Blue Loctite</b> |

| Pad Shapes                 |  |   |
|----------------------------|--|---|
| Front / Rear Pad Thickness | Pad Shape Drawing  | Pad Part Number   |
| 18mm Thick Front Pads      |  | <b>PSD.1009.B1.180</b><br><br>Project Mu H16 - 1090T18H163B |
| 20mm Thick Rear Pads       |  | <b>PSD.1002.B1.200</b><br><br>Project Mu H16 - 1070T20H163B |

## Chevrolet Corvette C7 Front & Rear Brake Kit

