

Chevrolet Corvette C5 / C6 Brake Kit

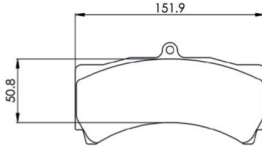
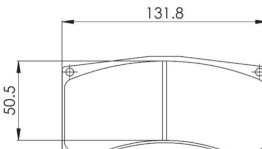


Kit Specifications

	Brake Kit Part Number
C5 Car Kit (Front & Rear)	BRK.200524
C5 Front Kit	BRK.200528
C5 Rear Kit	BRK.200529
C6 Car Kit (Front & Rear)	BRK.200525
C6 Front Kit	BRK.200530
C6 Rear Kit	BRK.200531

Years	1997 - 2013	1997 - 2013
Model	C5 / C6	C5 / CR
Axle	Front	Rear
Caliper Part #	CAR8959Y24SSLT/RT	CAR4959AP02PESLL/RL
Piston Sizes	6-Piston: 27.0/31.8/38.1mm	4-Piston: 28.6/31.8mm
Caliper Weight	6.7 lbs.	6.0 lbs.
Rotor Diameter, Thickness & Vane Count	355x32mm, 48 Vane	345x32mm, 48 Vane
Rotor Weight	15.8 lbs.	15.4 lbs.
Fits Wheel Size	Z06 or aftermarket 18"	Z06 or aftermarket 18"
Left Rotor Part #	ROR.910035	ROR.910281
Right Rotor Part #	ROR.910036	ROR.910282
Hat Part #	HAT.101026	HAT.101050
Bracket Part #	BRT.101024	BRT.101341 (left), BRT.101342 (right)
Stud Part #	STT.100120	STT.100120
Stud Nut & Washer Part #	PSYMS7, PSYWS7	PSYMS7, PSYWS7
C5 Brake Lines (Kit For One Caliper)	BRN.101056	BRN.101057
C6 Brake Lines (Kit For One Caliper)	BRN.101072	BRN.101073
Brake Line Clip	HAE.101055	HAE.101055
Banjo Bolt (1 Per Caliper)	GOO77503Z1	GOO77503Z1
Banjo Washer(1 Per Caliper)	HAE.101340	HAE.101340

Rotor Hardware For All Rotor Assemblies	
Round Bobbin Part Number (10 Of Each Per Rotor)	BOT.100002
Bolt Part Number (5 Of Each Per Rotor)	SCT.100107
Washer Part Number (10 Of Each Per Rotor)	HAE.100248
Anti-Rattle Clips For All Rotor Assemblies	
Anti-Rattle Clips (5 Of Each Per Rotor)	ANP.100538
Anti-Rattle Clip Bolt Part Number (5 Of Each Per Rotor)	SCT.100542
Anti-Rattle Clip Washers (5 Of Each Per Rotor)	HAE.101018
Torque Spec	60 in/lbs. With Blue Loctite

Pad Shapes		
Front / Rear Pad Thickness	Pad Shape Drawing	Pad Part Number
18mm Thick Front Pads		PSD.1001.B1.180 Hawk DTC-30 - HBRHB122W710B Project Mu H16 - 1093T18H163B
20mm Thick Rear Pads		PSD.1002.B1.200 Hawk DTC-30 - HBRHB105W620B Project Mu H16 - 1070T20H163B