



2011-2014 GMC 2500HD

2/11/14

FRONT BUMPER

P/N: 10-01011

& 10-01011-W

INSTALLATION INSTRUCTIONS

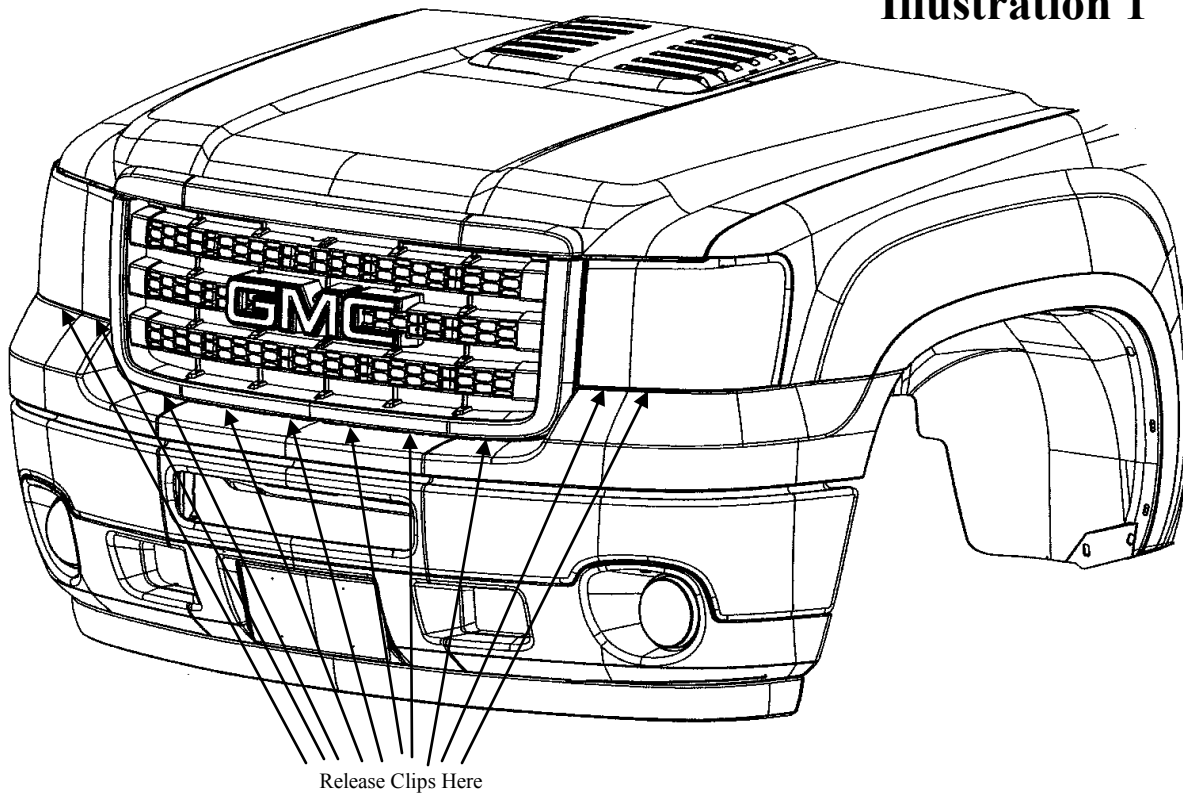
PART LIST

ITEM	DESCRIPTION	QTY.	ILLUS.
Box 1	10-01011		
20-01011-1	GMC 2500HD Front Bumper	1	3
20-01011-2	2500HD Frame Mount Plate, Driver	1	2,3
20-01011-3	2500HD Frame Mount Plate, Passenger	1	2,3
20-72501	Hardware Pack, (Mounting)		
13-20031-Z	Bolt, 1/2" x 1-1/4"	6	3
13-30447-Z	Flat Washer, 1/2"	12	3
13-10038-Z	Nut, 1/2" Nyloc	6	3
13-20081-Z	Bolt, 3/8" x 1-1/4"	2	3
13-30012-Z	Flat Washer, 3/8"	4	3
13-10022-Z	Nut, 3/8" Nyloc	2	3
Box 2	Winch Mount		
20-01211	2500HD Winch Mount	1	2,3

Front Bumper Installation Instructions

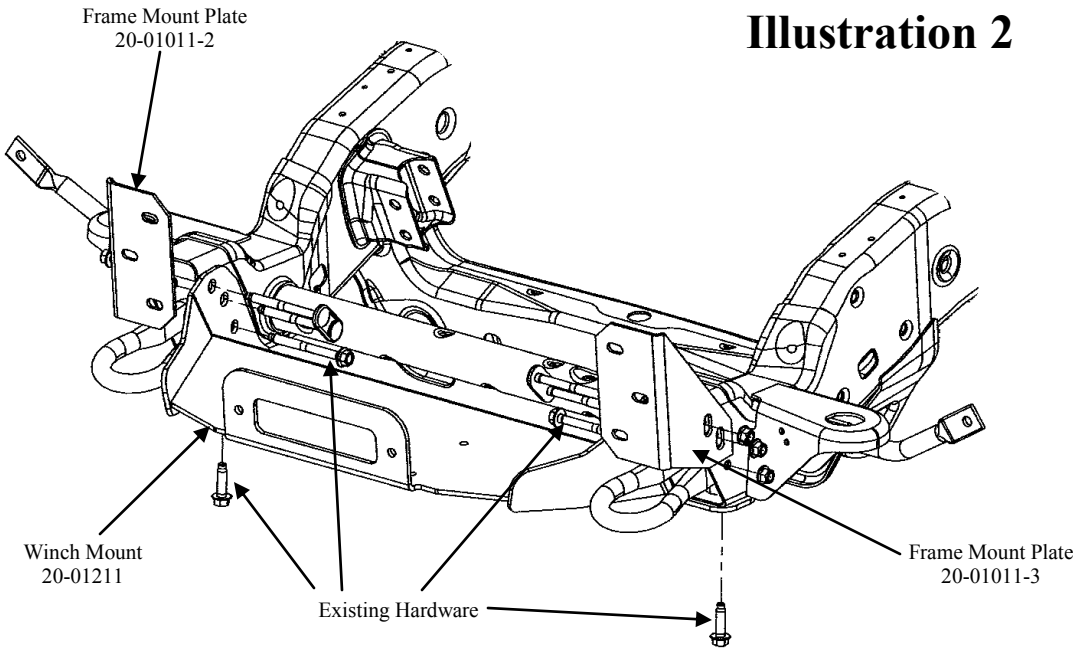
1. Remove front bumper by first removing the two screws attaching inner fender to the bottom of bumper on each side, then remove the screws attaching inner fender to fender about half way back from front. Pull inner fender back to reveal bracket valance is attached to on either end. Remove the two screws attaching valance to bracket, then remove three screws attaching bracket to fender. Remove bracket.

Illustration 1



2. Remove valance by releasing clips under headlights and across bottom of grille. These can be accessed by reaching through hole in front bumper. (**Illustration 1**)
3. Disconnect wiring going to fog lights.
4. Remove the two nuts attaching bumper to frame on either side and remove studs going through frame and remove bumper.
5. Remove hardware attaching tow hooks and set aside.
6. Position Winch Mount (20-01211) between frame rails and attach using tow hook hardware previously removed. Install long bolts from inside frame . Torque bolts to 75lb.ft.
7. Install Frame Mount Plates to frame using studs previously removed. (**Illustration 2**)
8. If using a winch install it at this time.
9. Install Bumper (20-01011-1) to Frame Mount Plates using 1/2" hardware provided. Snug bolts only. (**Illustration 3**)
10. Re-attach valance to truck fitting all clips in position.
11. Align Bumper to truck and tighten all hardware previously left loose. Torque 1/2" bolts to 65lb.ft. and the mounting studs to 75lb.ft.

Illustration 2



- 12. Install 3/8" hardware to outer support brackets.
- 13. Trim inner fender to fit inside new Bumper.
- 14. Install any remaining inner fender hardware.

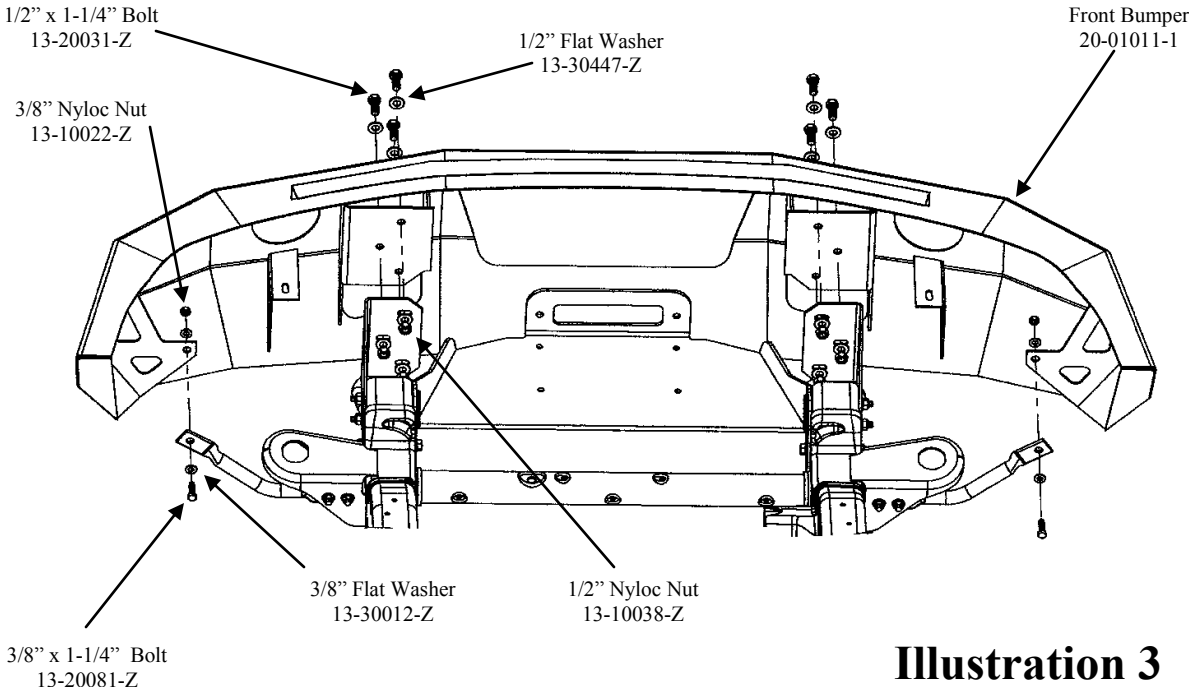


Illustration 3