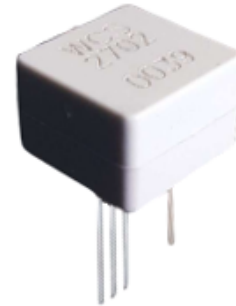


## Hall Effect Base Linear Current Sensor

### Features:

- Low noise analog signal path
- 98 m $\Omega$  internal conductor resistance
- Output voltage proportional to AC and DC current
- Min. sensing current 0~2.0A at 5V voltage supply
- High Sensitivity 1.0 mV/mA
- Wide operating voltage range 3.0~12 V.
- Low operating current 3mA
- Nearly zero magnetic hysteresis.
- Ratiometric output from supply voltage
- 10K Hz bandwidth
- Isolation voltage 1000V



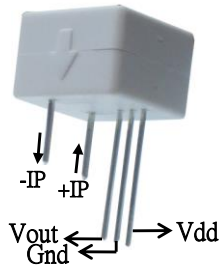
### Functional Description :

The Winson WCS2702 provides economical and precise solution for both DC and AC current sensing in industrial, commercial and communications systems. The unique package allows for easy implementation by the customer. Typical applications include motor control, load detection and management, over-current fault detection and any intelligent power management system etc...

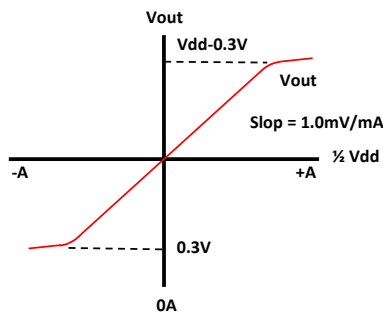
The WCS2702 consists of a precise, low-temperature drift linear hall sensor IC with temperature compensation circuit and a current path with 98 m $\Omega$  typical internal conductor resistance. This extremely low resistance can effectively reduce power loss, operating temperature and increase the reliability greatly. Applied current flowing through this conduction path generates a magnetic field which is sensed by the integrated Hall IC and converted into a proportional voltage.

The terminals of the conductive path are electrically isolated from the sensor leads. This allow the WCS2702 current sensor to be used in applications requiring electrical isolation without the use of opto-isolators or other costly isolation techniques and make system more competitive in cost.

Winson reserves the right to make changes to improve reliability or manufacturability.



**Vout vs. Primary Current**



**Absolute Maximum Range**

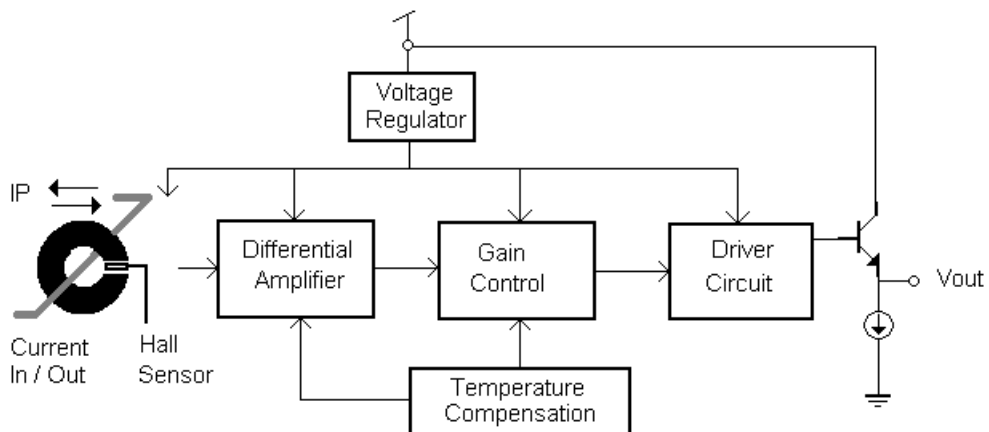
Supply Voltage, Vdd -----	14V
Pass Current, IP-----	2.5A
Pass Current(10ms pulse), Ipulse-----	5A
Output Current Sink-----	0.4mA
Output Current Source-----	2mA
Basic Isolation Voltage -----	1000V
Operating Temperature Range, Ta -----	-----
-----	-20°C to +125°C
Storage Temperature Range, Ts -----	-----
-----	-65°C to +150°C
Power Dissipation, Pd -----	1W

**Order Information**

( Vdd = 5V )

Part No.	Sensitivity	Current range
WCS2702	1.0mV/mA	DC: ±0 ~ 2A
		AC: rms 1.4A

**Function Block:**



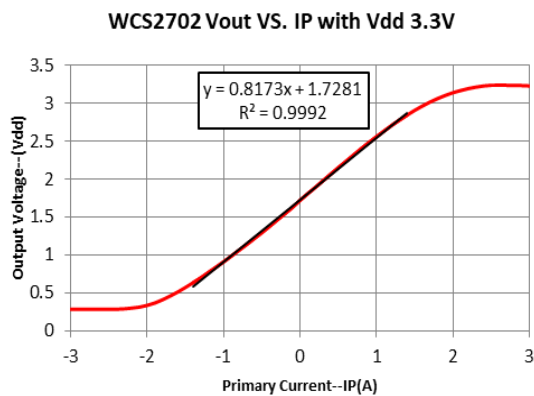
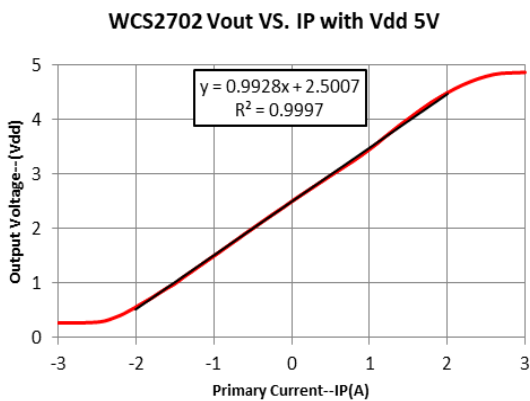
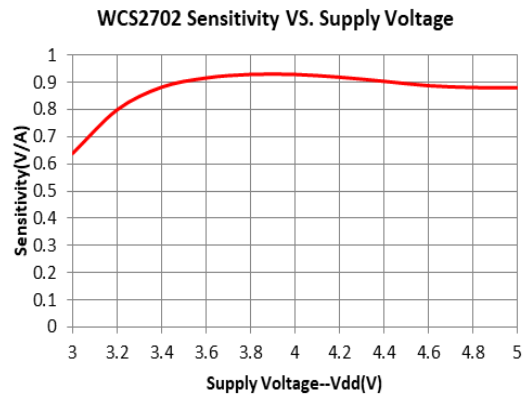
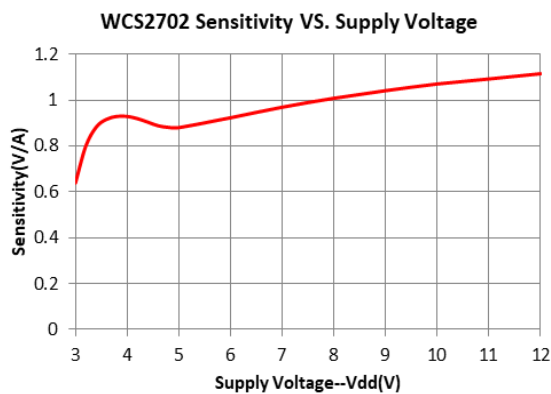
Winson reserves the right to make changes to improve reliability or manufacturability.

**Electrical Characteristics:**

(T=+25°C, Vdd=5.0V)

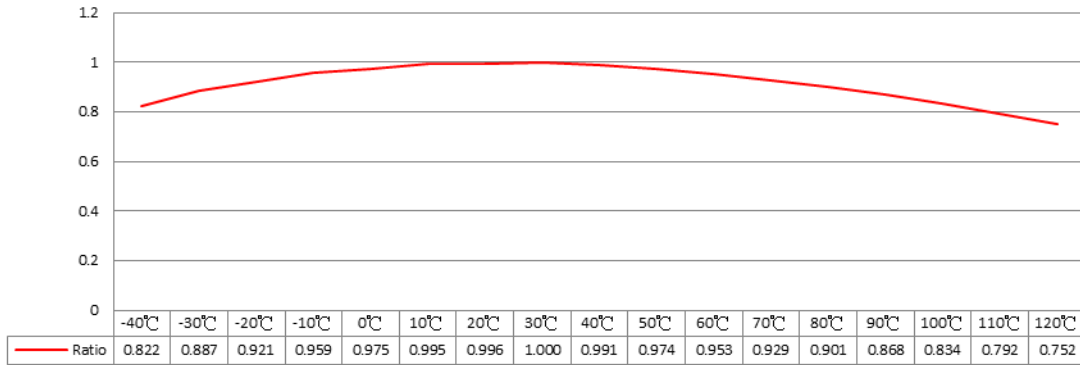
Characteristic	Symbol	Test Conditions	Min	Typ	Max	Units
Supply Voltage	Vdd	—	3.0	—	12	V
Supply Current	I <sub>supply</sub>	IP = 0 A	—	3.5	6.0	mA
Zero Current Vout	V <sub>0G</sub>	IP = 0 A	2.4	2.5	2.6	V
Primary Conductor Resistance	R <sub>primary</sub>	IP = 2 A	—	98	—	mΩ
Sensitivity	ΔV <sub>out</sub>	IP = ± 2.0 A	0.85	1.0	1.15	mV/mA
Bandwidth	BW	—	—	10	—	kHz
Measurable Current Range	MCR	Vdd=5V (DC Mode)	—	±2.0	—	A
		Vdd=5V (AC RMS)	—	1.4	—	
Temperature Drift	ΔV <sub>out</sub>	IP = 0 A	—	±0.5	—	mV/°C
Output Noise	V <sub>Np-p</sub>	IP = 0 A	—	7.5	—	mV
	V <sub>Np-p(0.01uF)</sub>	IP = 0 A, C = 0.01uF	—	1	—	

1. All output-voltage measurements are made with a voltmeter having an input impedance of at least 100kΩ
2. Do not apply any 'resistor load' on output pin, it will degrade IC's performance.

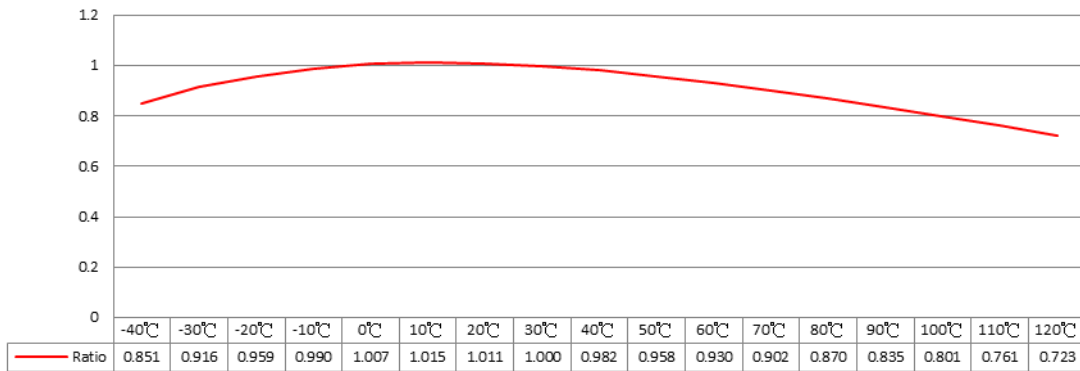
**Characteristic Diagrams:**


Winson reserves the right to make changes to improve reliability or manufacturability.

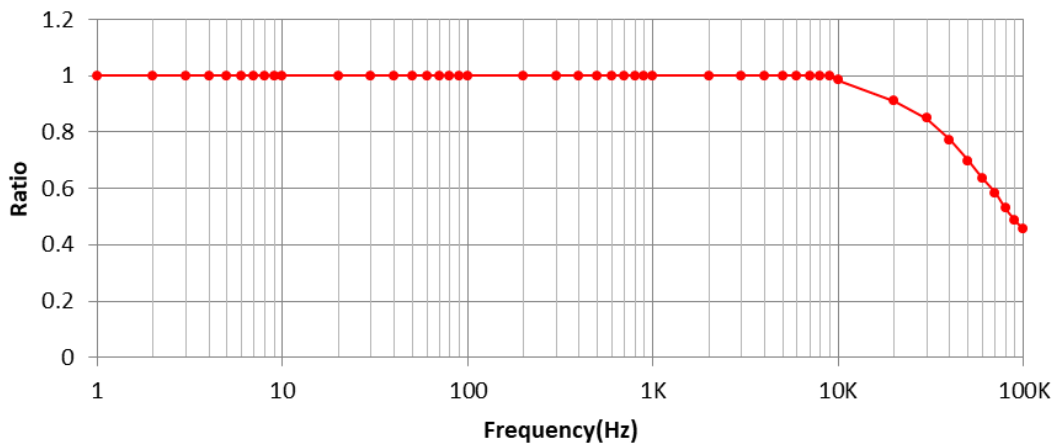
WCS2702 Sensitivity standardization of 30°C (5V) VS. Temperature



WCS2702 Sensitivity standardization of 30°C (3.3V) VS. Temperature

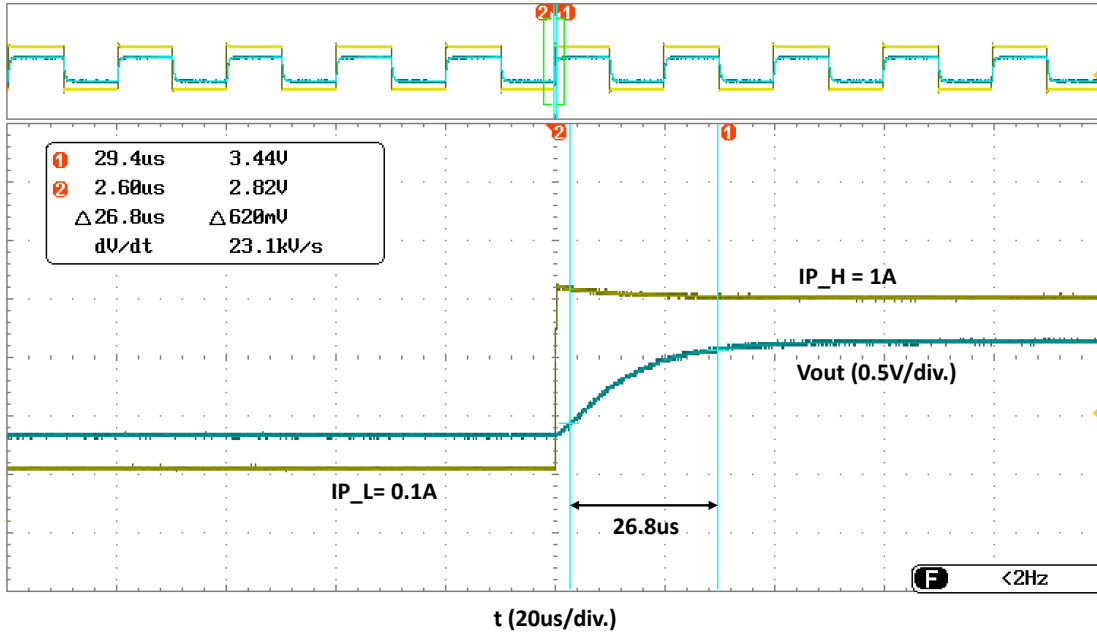


WCS2702 Unit Gain VS. Frequency

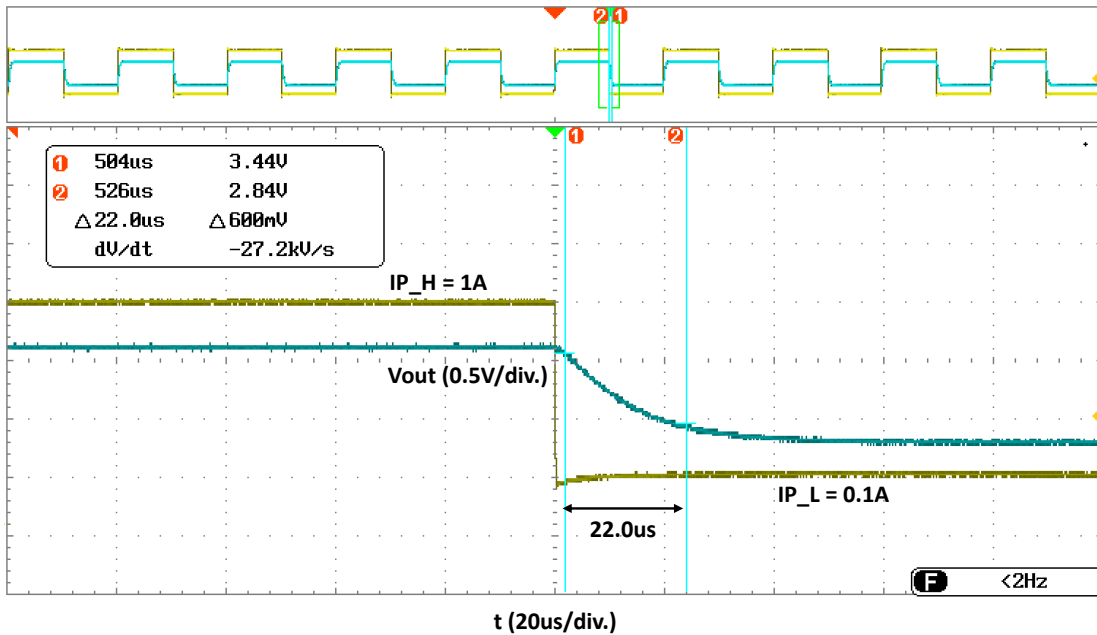


Winson reserves the right to make changes to improve reliability or manufacturability.

Response Time of Pulse Current



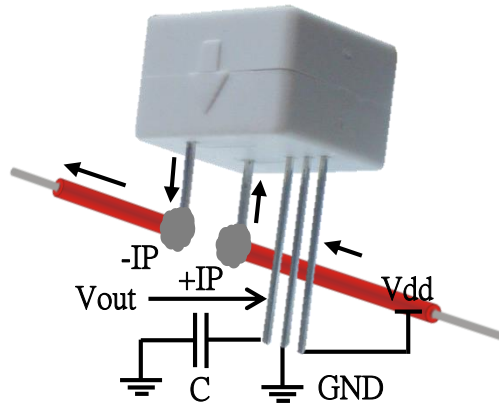
Response Time of Pulse Current



Winson reserves the right to make changes to improve reliability or manufacturability.

---

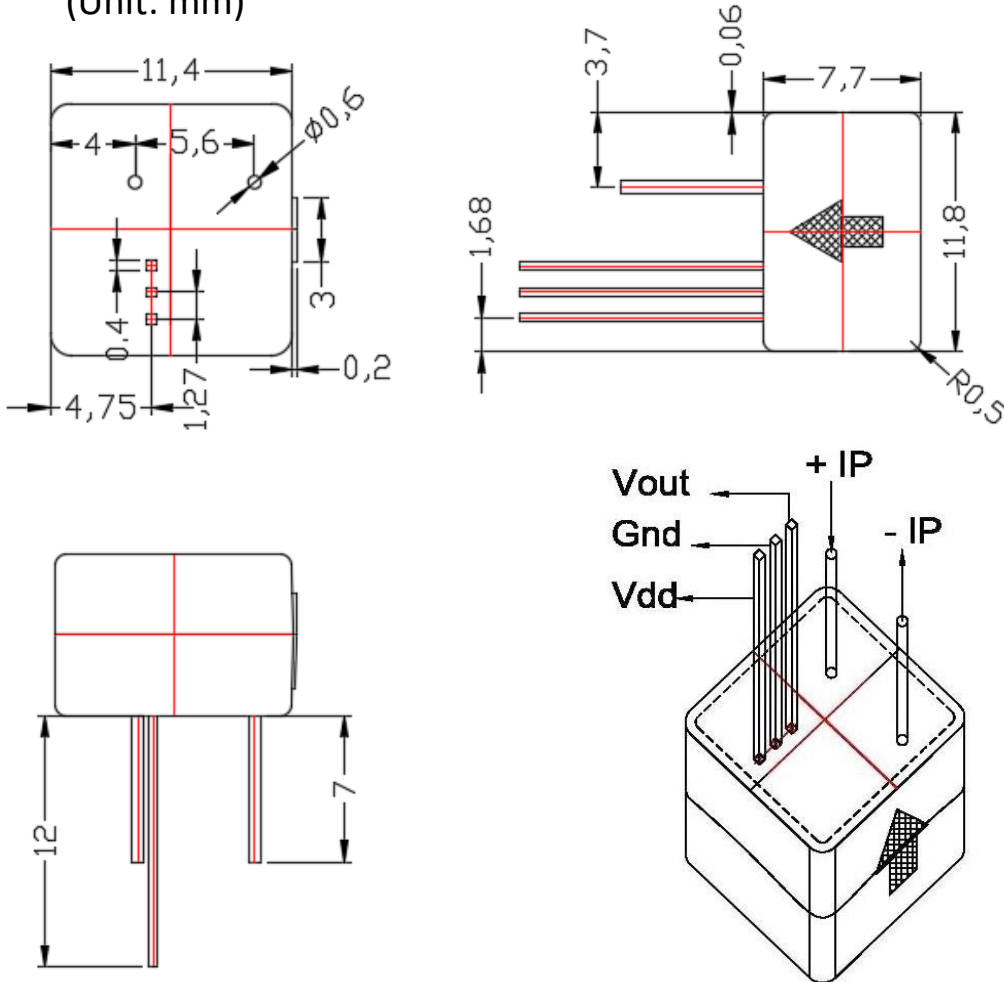
**Application Circuit:**



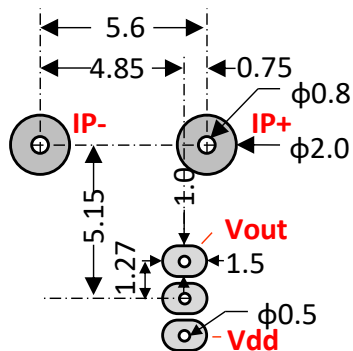
Capacitor  $C$  (0.01 $\mu$ F~0.1 $\mu$ F) is recommended to be connected between  $V_{out}$  and  $GND$  to reduce output noise.

**Package Information:**

(Unit: mm)



**PCB Layout Reference View( Top View)**



**WCS Application Note :** please refer to Winson Website -> Products->

Application Note -> WCS Application Note :

<http://www.winson.com.tw/Product/83>

Winson reserves the right to make changes to improve reliability or manufacturability.