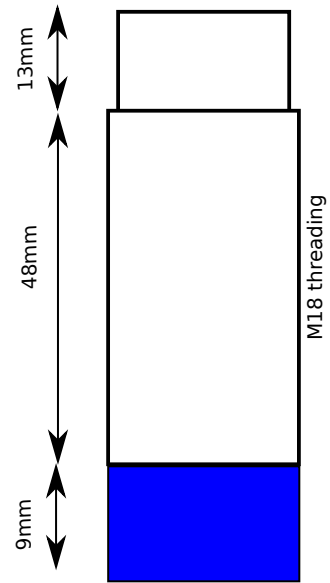
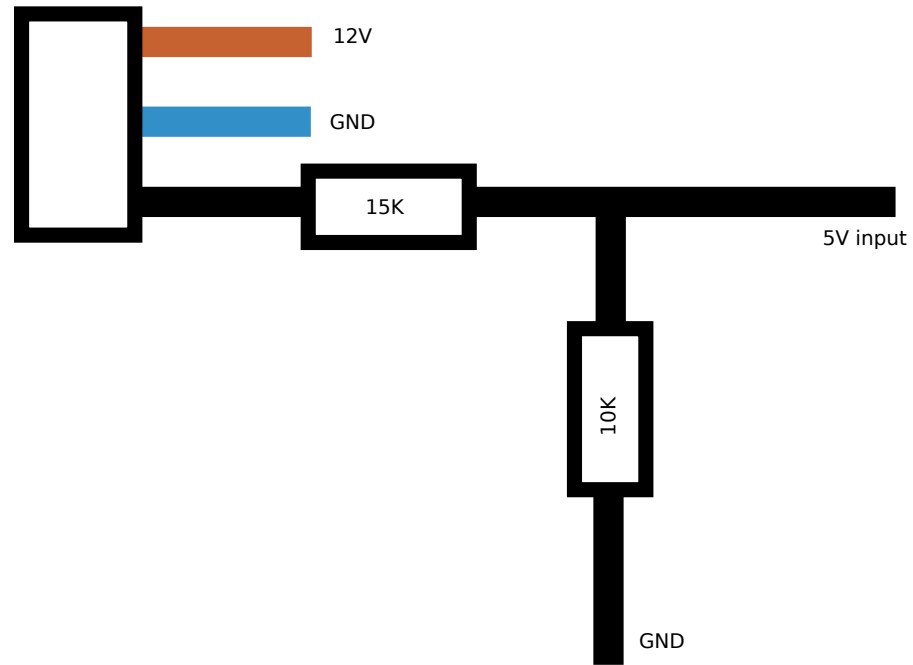




Wire length: ~1m
Operating voltage: 6-36V



Connecting to 5V logic when powered with 12v, for example
the Z- endstop signal pin on megatronics



Induction proximity sensor



ReprapWorld.com
info@reprapworld.com

Version	1.0
Date	29/03/2016
Author	Bart Meijer