

AC/DC 75W Enclosed Switching Power Supply

LM75-22Bxx、LM75-22Bxx-C、LM75-22Bxx-Q Series

MORNSUN®



FEATURES

- Universal 165 - 264VAC or 200 - 370VDC Input voltage
- Accepts AC or DC input (dual-use of same terminal)
- Operating ambient temperature range: -30°C to +70°C
- Low standby power consumption, high efficiency
- High I/O isolation test voltage up to 4000VAC
- Low ripple & noise
- Output short circuit, over-current, over-voltage protection
- Over-Voltage class III (designed to meet EN61558)
- Operating altitude up to 5000m



LM75-22Bxx series is one of Mornsun's enclosed AC-DC switching power supply. It features AC input and at the same time accepts DC input voltage, cost-effective, low no load power consumption, high efficiency, high reliability and double or reinforced insulation. These converters offer excellent EMC performance and meet IEC/EN61000-4, CISPR32/EN55032, IEC/UL/EN62368, EN60335, GB4943 standards and they are widely used in areas of industrial, LED, street light control, electricity, security, telecommunications, smart home etc.

Selection Guide

Certification	Part No.*	Output Power (W)	Nominal Output Voltage and Current (Vo/Io)	Output Voltage Adjustable Range (V)	Efficiency at 230VAC (%) Typ.	Max. Capacitive Load (μF)
UL/EN/IEC/CCC/ BIS/BS	LM75-22B05	70	5V/14A	4.5-5.5	86	10000
	LM75-22B12	72	12V/6A	10.2-13.8	88	6000
	LM75-22B15	75	15V/5A	13.5-18	88	5000
	LM75-22B24	76.8	24V/3.2A	21.6-28.8	90	1500
	LM75-22B36	75.6	36V/2.1A	32.4-39.6	90	1000
	LM75-22B48	76.8	48V/1.6A	43.2-52.8	91.5	680

Note: *Use suffix "C" for terminal with protective cover, suffix "Q" for conformal coating.

Input Specifications

Item	Operating Conditions		Min.	Typ.	Max.	Unit
Input Voltage Range	AC input		165	--	264	VAC
	DC input		200	--	370	VDC
Input Voltage Frequency			47	--	63	Hz
Input Current	230VAC		--	--	1	A
Inrush Current	230VAC	Cold start	--	65	--	
Leakage Current	240VAC		<0.75mA			
Hot Plug			Unavailable			

Output Specifications

Item	Operating Conditions		Min.	Typ.	Max.	Unit
Output Voltage Accuracy	Full load range	5V	--	±2	--	
		12V/15V/24V/36V/48V	--	±1	--	
Line Regulation	Rated load		--	±0.5	--	%
Load Regulation	0% - 100% load	5V	--	±1	--	
		12V/15V/24V/36V/48V	--	±0.5	--	
Ripple & Noise*	20MHz bandwidth (peak-to-peak value)	5V	--	100	--	mV
		12V/15V	--	120	--	
		24V	--	150	--	
		36V	--	200	--	

MORNSUN®

MORNSUN Guangzhou Science & Technology Co., Ltd.

2021.12.13-A/4

Page 1 of 5

MORNSUN Guangzhou Science & Technology Co., Ltd. reserves the copyright and right of final interpretation

AC/DC 75W Enclosed Switching Power Supply

LM75-22Bxx、LM75-22Bxx-C、LM75-22Bxx-Q Series

MORNSUN®

		48V	--	200	--	
Temperature Coefficient			--	±0.03	--	%/°C
Minimum Load			0	--	--	%
Stand-by Power Consumption			--	--	0.3	W
Hold-up Time	230VAC		15	--	--	ms
Short Circuit Protection	Recovery time <5s after the short circuit disappear.		Hiccup, continuous, self-recovery			
Over-current Protection			110%-150% Io, self-recovery			
Over-voltage Protection	5V		≤6.3VDC (Output voltage clamp)			
	12V		≤16.2VDC (Hiccup, self-recovery)			
	15V		≤21.75VDC (Hiccup, self-recovery)			
	24V		≤33.6VDC (Hiccup, self-recovery)			
	36V		≤50VDC (Output voltage clamp)			
	48V		≤60VDC (Output voltage clamp)			
Note: *The "Tip and barrel method" is used for ripple and noise test, output parallel 47uF electrolytic capacitor and 0.1uF ceramic capacitor, please refer to Enclosed Switching Power Supply Application Notes for specific information.						

General Specifications

Item	Operating Conditions			Min.	Typ.	Max.	Unit
Isolation Test	Input - ⊕	Electric strength test for 1min., leakage current <10mA		2000	--	--	VAC
	Input - output			4000	--	--	
	Output - ⊕			1250	--	--	
Insulation Resistance	Input - ⊕	At 500VDC		100	--	--	MΩ
	Input - output			100	--	--	
	Output - ⊕			100	--	--	
Operating Temperature				-30	--	+70	°C
Storage Temperature				-40	--	+85	
Storage Humidity	Non-condensing			--	--	95	%RH
Switching Frequency				--	65	--	kHz
Power Derating	Operating temperature derating	5V output	+40°C to +70°C	1.3	--	--	% / °C
		Other output	+50°C to +70°C	2	--	--	
Safety Standard				IEC/UL62368-1, GB4943.1, IS13252 (Part1) safety approved & EN62368-1, EN60335-1, EN61558-1, BS EN 62368-1 (Report) Design refer to IEC60335-1, IEC61558-1			
Safety Class				CLASS I			
MTBF	MIL-HDBK-217F@25°C			>300,000 h			

Mechanical Specifications

Case Material	Metal (AL1100, SGCC)
Dimensions	99.00 x 97.00 x 30.00 mm
Weight	220g (Typ.)
Cooling Method	Free air convection

Electromagnetic Compatibility (EMC)

Emissions	CE	CISPR32/EN55032 CLASS B
	RE	CISPR32/EN55032 CLASS B
	Harmonic current	IEC/EN61000-3-2 CLASS A
Immunity	ESD	IEC/EN 61000-4-2 Contact ±6KV/Air ±8KV perf. Criteria A

MORNSUN®

MORNSUN Guangzhou Science & Technology Co., Ltd.

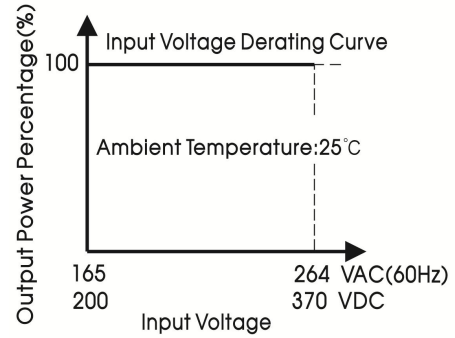
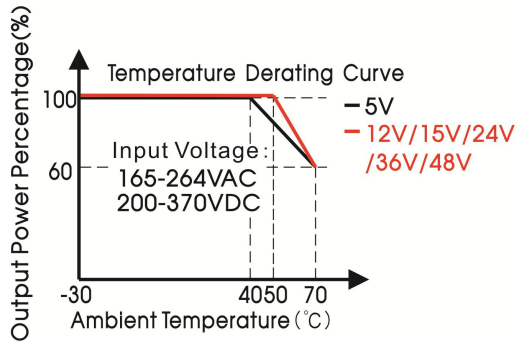
2021.12.13-A/4

Page 2 of 5

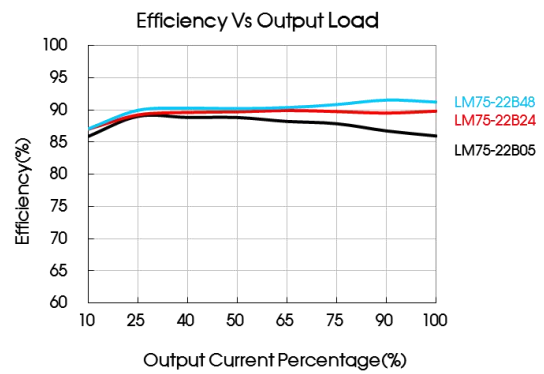
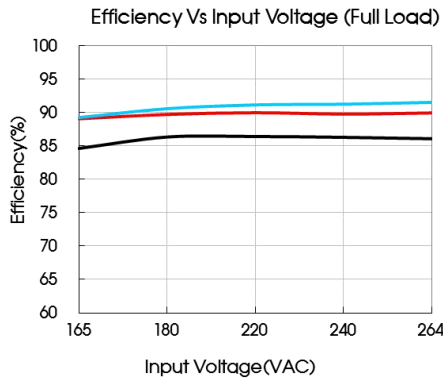
MORNSUN Guangzhou Science & Technology Co., Ltd. reserves the copyright and right of final interpretation

RS	IEC/EN 61000-4-3	10V/m	perf. Criteria A
EFT	IEC/EN 61000-4-4	±2KV	perf. Criteria A
Surge	IEC/EN 61000-4-5	line to line ±2KV/line to ground ±4KV	perf. Criteria A
CS	IEC/EN61000-4-6	10 Vr.m.s	perf. Criteria A
Voltage dips, short interruptions and voltage variations immunity	IEC/EN61000-4-11	0%, 70%	perf. Criteria B

Product Characteristic Curve

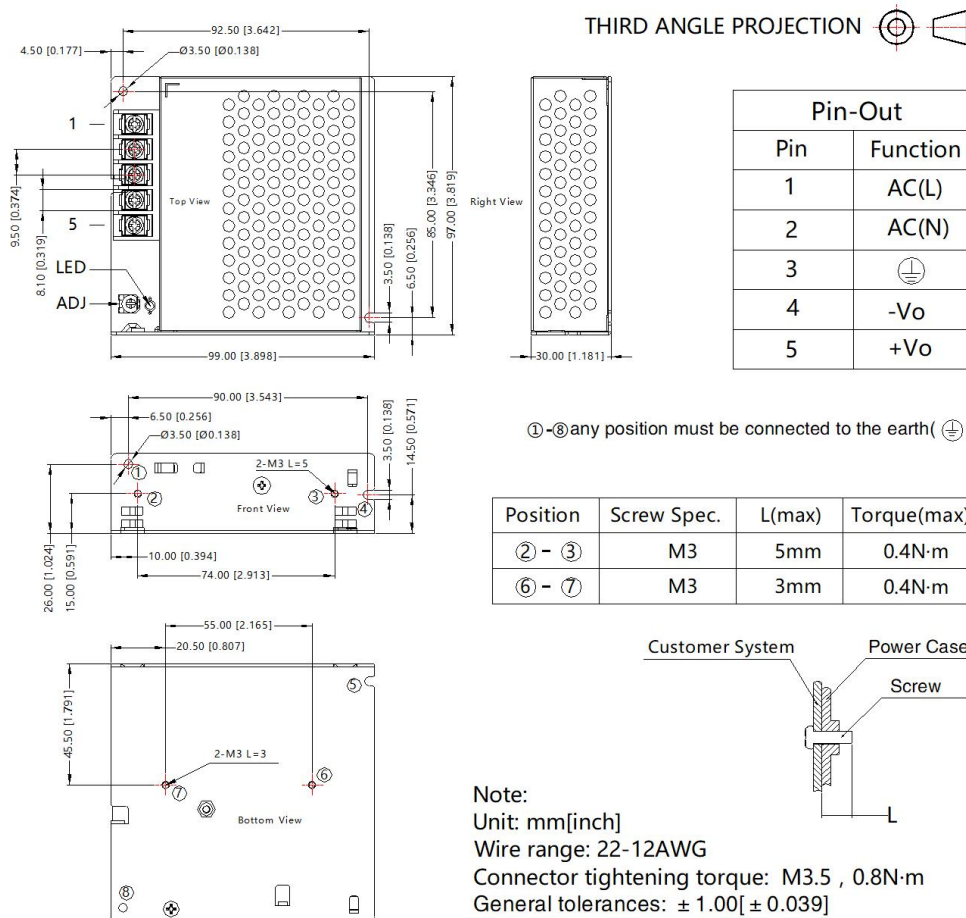


Note: This product is suitable for applications using natural air cooling; for applications in closed environment please consult Mornsun FAE.

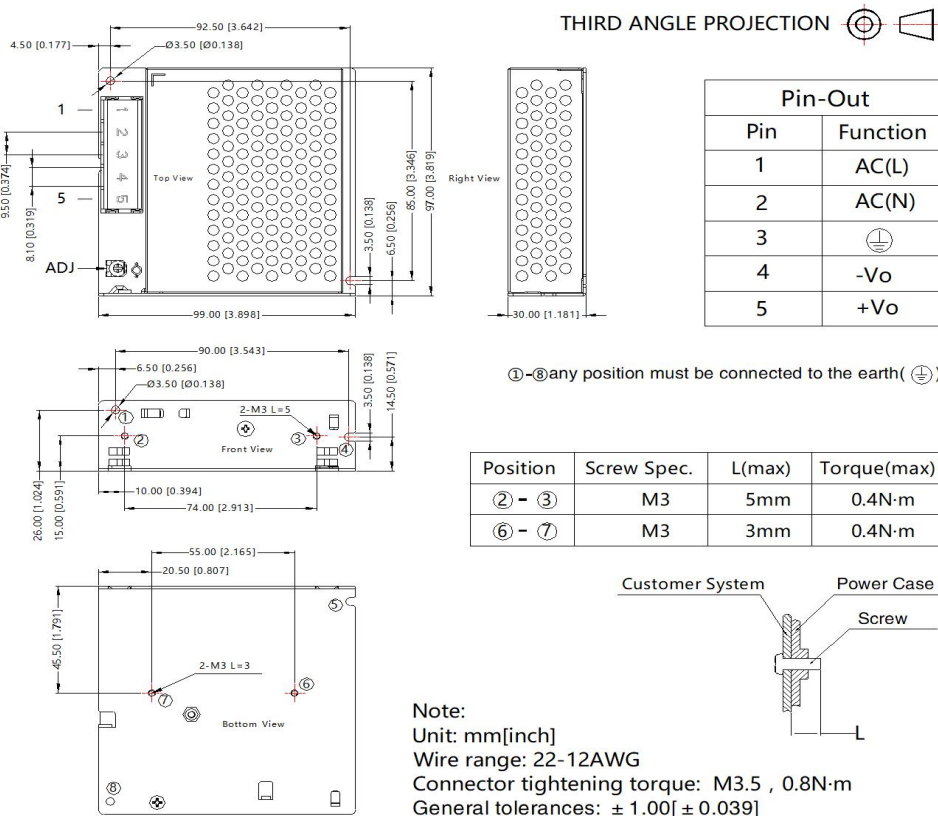


Dimensions and Recommended Layout

LM75-22Bxx, LM75-22Bxx-Q Series



LM75-22Bxx-C Series



Note:

1. For additional information on Product Packaging please refer to www.mornsun-power.com. Packaging bag number: 58220119;
2. Unless otherwise specified, parameters in this datasheet were measured under the conditions of $T_a=25^{\circ}\text{C}$, humidity<75%RH with nominal input voltage and rated output load;
3. The room temperature derating of $5^{\circ}\text{C}/1000\text{m}$ is needed for operating altitude greater than 2000m;
4. All index testing methods in this datasheet are based on our company corporate standards;
5. In order to improve the efficiency at high input voltage, there will be audible noise generated, but it does not affect product performance and reliability;
6. We can provide product customization service, please contact our technicians directly for specific information;
7. Products are related to laws and regulations: see "Features" and "EMC";
8. The out case needs to be connected to PE (\oplus) of system when the terminal equipment in operating;
9. Our products shall be classified according to ISO14001 and related environmental laws and regulations, and shall be handled by qualified units.

Mornsun Guangzhou Science & Technology Co., Ltd.

Address: No. 5, Kehui St. 1, Kehui Development Center, Science Ave., Guangzhou Science City, Huangpu District, Guangzhou, P. R. China

Tel: 86-20-38601850

Fax: 86-20-38601272

E-mail: info@mornsun.cn

www.mornsun-power.com