



D

rollytoys Service:

Tel: +49 (0) 95-68-/-85-61-46

Fax: +49 (0) 95-68-/-85-61-83

e-mail: service@rollytoys.de

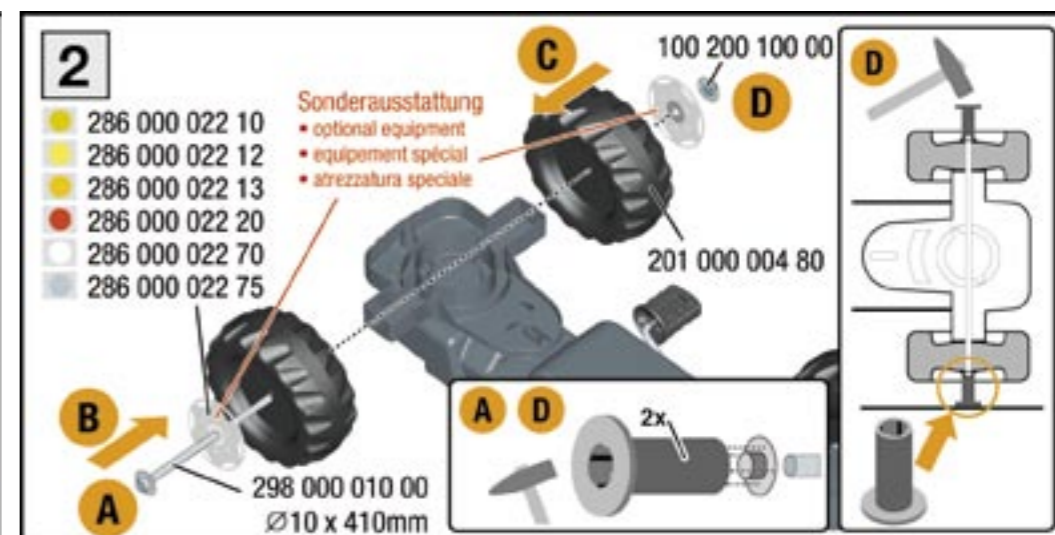
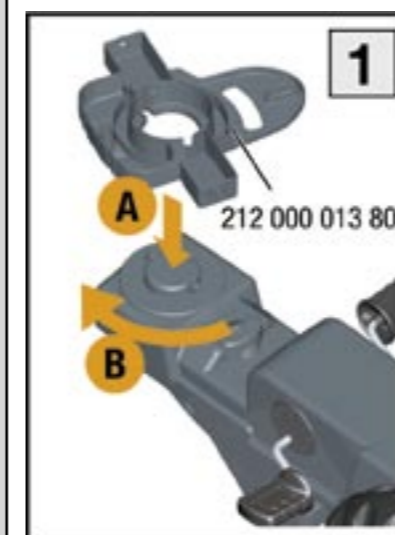
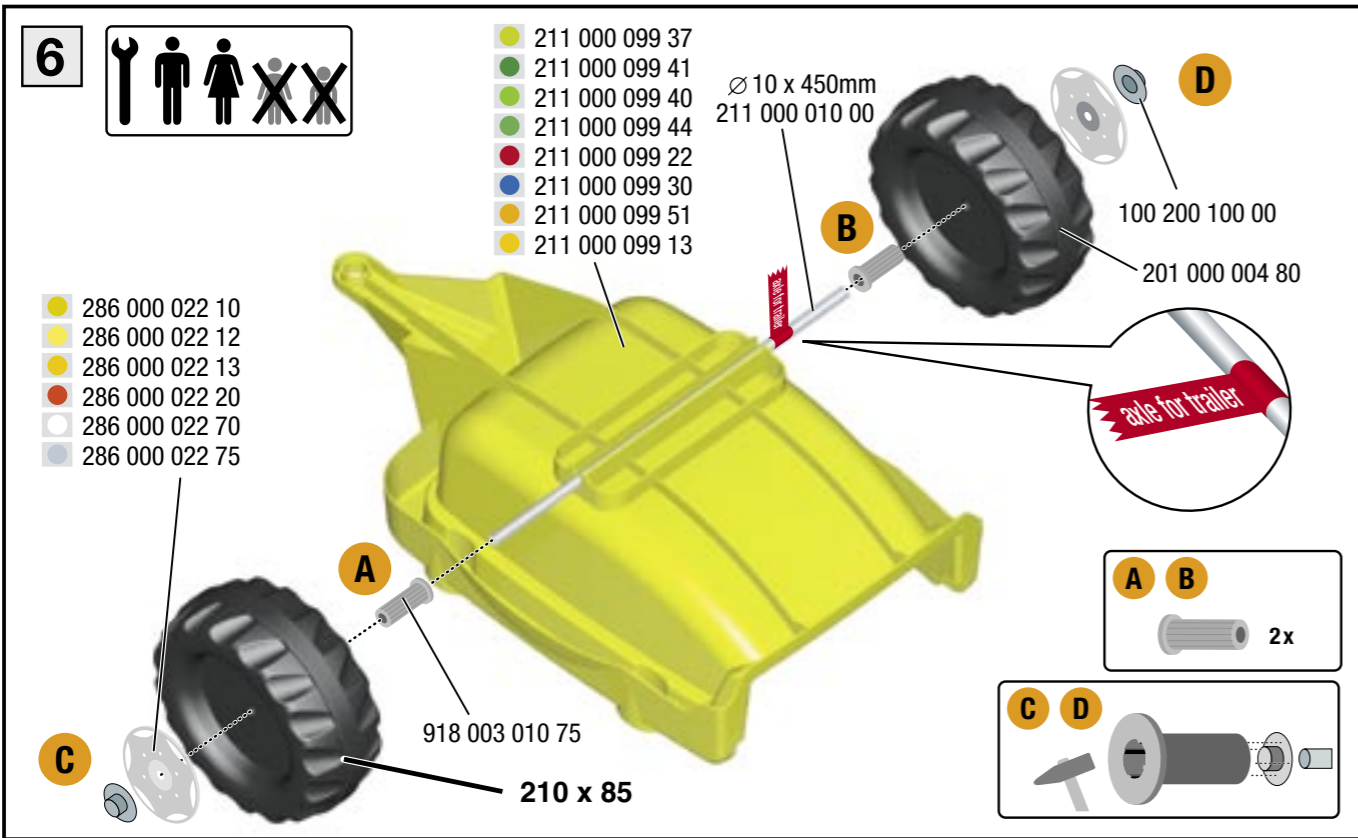


2007/01

212.000.800.00

6

- Nur für Traktoren mit Anhänger
- Only for tractors with trailer



Ab Kaufdatum + garantierter Ersatzteilservice

From the date of purchase + guaranteed spare part service  
 A partir de la date d'achat + garantie service pièces détachées  
 Dalla data di acquisto + garanzia parti di ricambio a partire

Ausgenommen gebrauchsbewingter Abnutzung

The warranty does not cover damages caused by improper use or neglect  
 La garantie est exclue en cas de défaut d'entretien ou d'utilisation anormale  
 Sono esclusi danni causati da uso improprio o usura

----- USA only -----  
**180 days warranty**

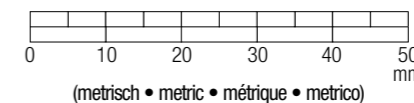
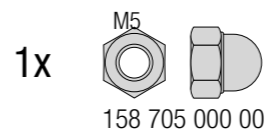
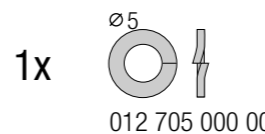
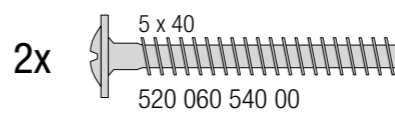
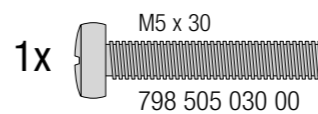
From the date of purchase + guaranteed spare part service  
 The warranty does not cover damages caused by improper use or neglect



Achtung, verschluckbare Teile!  
 Contains small parts, danger of being swallowed!  
 Contient des petites pièces détachables pouvant être avalées!

Messhilfe für Verschraubungsmaterial

- Measuring help for screw connections
- Gabarit pour système de serrage
- Misura per il materiale di avvitamento



**WARNING**

- CHOKING HAZARD: Small parts. Danger of being swallowed. Contains small parts in non assembled state. Must be assembled by adults.
- Adult supervision required.
- Never use near steps, slopes, driveways, hills, roadways, alleys or swimming pool areas.
- Always wear shoes.
- Never allow more than one rider.
- The use of protective gear and a safety helmet is highly recommended.



Vertretungen • Representatives abroad • Agences • Rappresentanti all'estero

A Handelsagentur Kundegraber  
 Tel. 0 22 30 / 79 0 79; Fax 0 22 30 / 79 0 80

AUS John Deere Ltd.  
 Tel. 07 3802 / 3222; Fax 07 3803 / 6555

B/L QUAX N.V.  
 Tel. 09 386 / 23 30; Fax 09 386 / 93 50

CH Sombo AG  
 Tel. 0 62 / 887 74 74; Fax 0 62 / 887 74 57

CY Costakis D. Koureas & Son LTD  
 Tel. 025 71 13 08; Fax 025 71 13 32

CZ OLYMPtoys s.r.o.  
 Tel. 0284 822 716; Fax 0284 822 341

DK/N Grandprix Aps, Bjarne Boie  
 Tel. 049 17 / 60 78; Fax 049 17 / 60 70

Service (DK/N/SE): Funnyland / Supertoys  
 Tel. 075 61 / 10 70; Fax 075 61 / 10 95

F Claude Piveteau Agence Commerciale  
 Tel. 04 68 68 40 10; Fax 04 68 68 40 11

FIN Hot-Toys OY  
 Tel. 0 19-688 4765; Fax 0 19-688 4880

GB Robbie Toys Ltd.  
 Tel. 01 843 / 60 44 48; Fax 01 843 / 60 35 05

GR John Hellas Ltd.  
 Tel. 023 10 68 86 54; Fax 023 10 68 89 10

GY Farfan and Mendes Limited  
 Tel. 592 226 8130; Fax: 592 225 8651

HR domi  
 Tel. 01240 84 20; Fax: 01240 96 96

I Rolly Toys Italiana S.R.L.  
 Tel. 0438 4466; Fax: 0438 27372

IRL Banaghan & Co. Ltd.  
 Tel. 067 / 338 88; Fax 067 / 334 33

N ATEC AS (agricultural market)  
 Tel. 051 77 07 30; Fax 051 77 07 40

NL Born Agenturen  
 Tel. 035 64 68 299; Fax 035 64 68 298

PL Brimarex  
 Tel. 061 / 862 07 00; Fax 061 / 867 93 23

RO RT CENTER SRL  
 Tel. 0040 742 141 585; Fax 0040 269 212 099

RU OOO „JOHN-RUS“  
 Tel. 095 785 3993; Fax 095 369 6629

SC Cobraplast d.o.o.  
 Tel. +381 15 301240; Fax: +381 15 301242

SE SpeedGame AB  
 Tel. 042 23 86 85; Fax 042 23 86 95

SK Tinako  
 Tel. 00421 2 4594 4626; Fax: 00421 2 4594 4628

SLO Moko d.o.o.  
 Tel. 01 729 51 20; Fax: 01 729 51 27

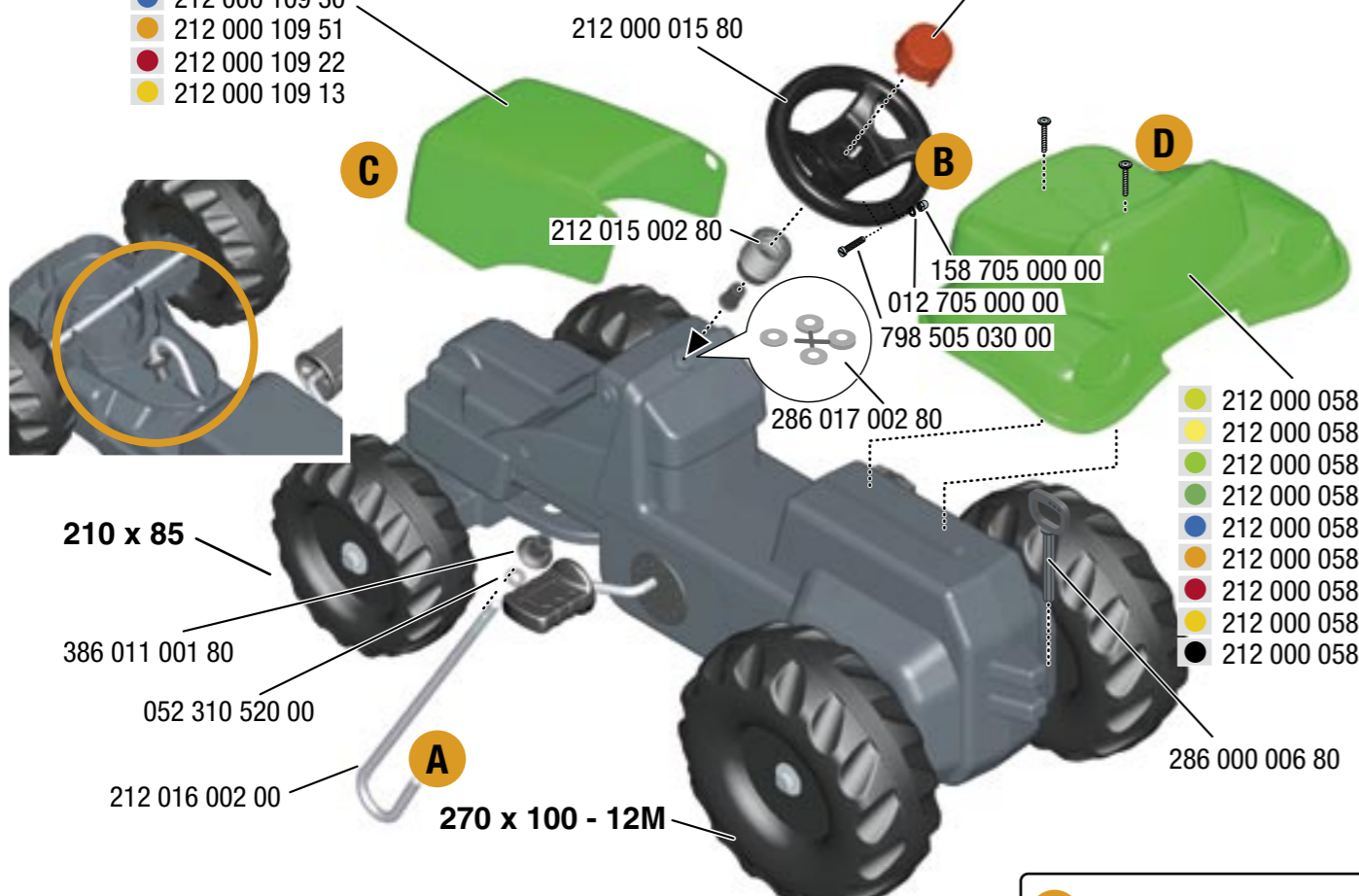
USA Kettler USA  
 Tel. 001 757 427 24 00; Fax 001 757 427 01 83

ZA Jeffrey Stein Sales (PTY) Ltd.  
 ZA-8001 Cape Town

3

- 212 000 109 37
- 212 000 109 41
- 212 000 109 40
- 212 000 109 44
- 212 000 109 30
- 212 000 109 51
- 212 000 109 22
- 212 000 109 13

- 212 000 124 80
- 212 000 124 12
- 212 000 124 22



210 x 85

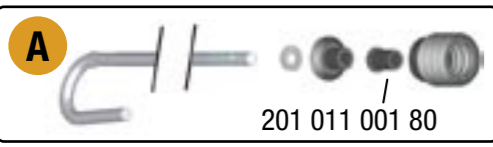
386 011 001 80

052 310 520 00

212 016 002 00

270 x 100 - 12M

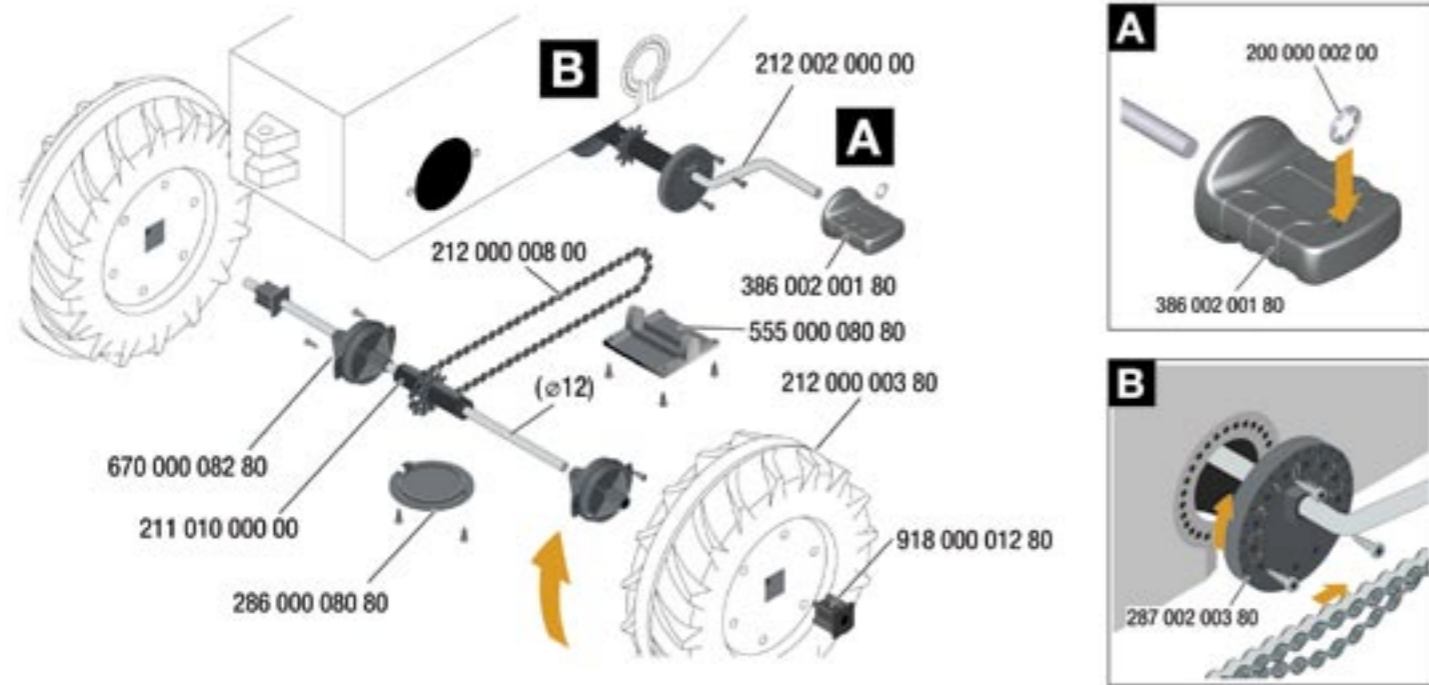
286 000 006 80



201 011 001 80



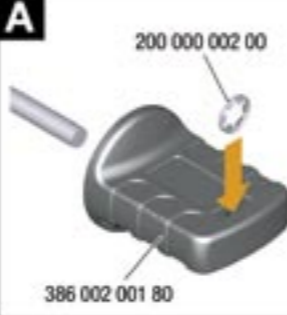
- B** ● 1x
- D** ● 2x



**B**

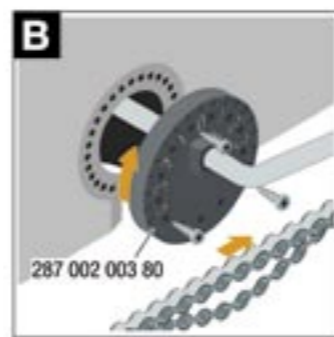
212 002 000 00

**A**



200 000 002 00

386 002 001 80

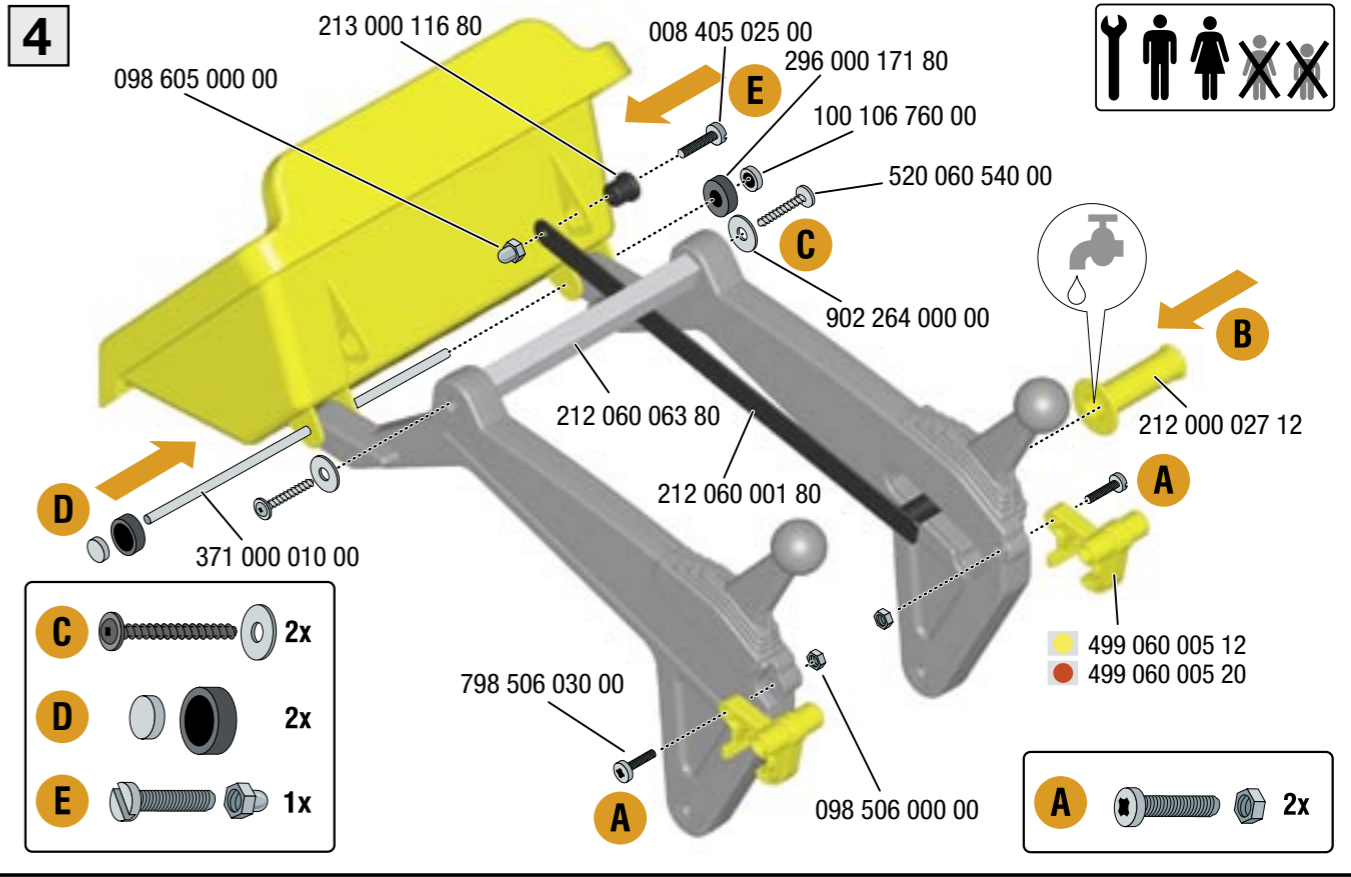


287 002 003 80

4 + 5

• Nur für Traktoren mit Schaufellader  
• Only for tractors with loader

4



098 605 000 00

213 000 116 80

008 405 025 00

296 000 171 80

100 106 760 00

520 060 540 00

902 264 000 00

212 060 063 80

212 060 001 80

371 000 010 00

798 506 030 00

098 506 000 00

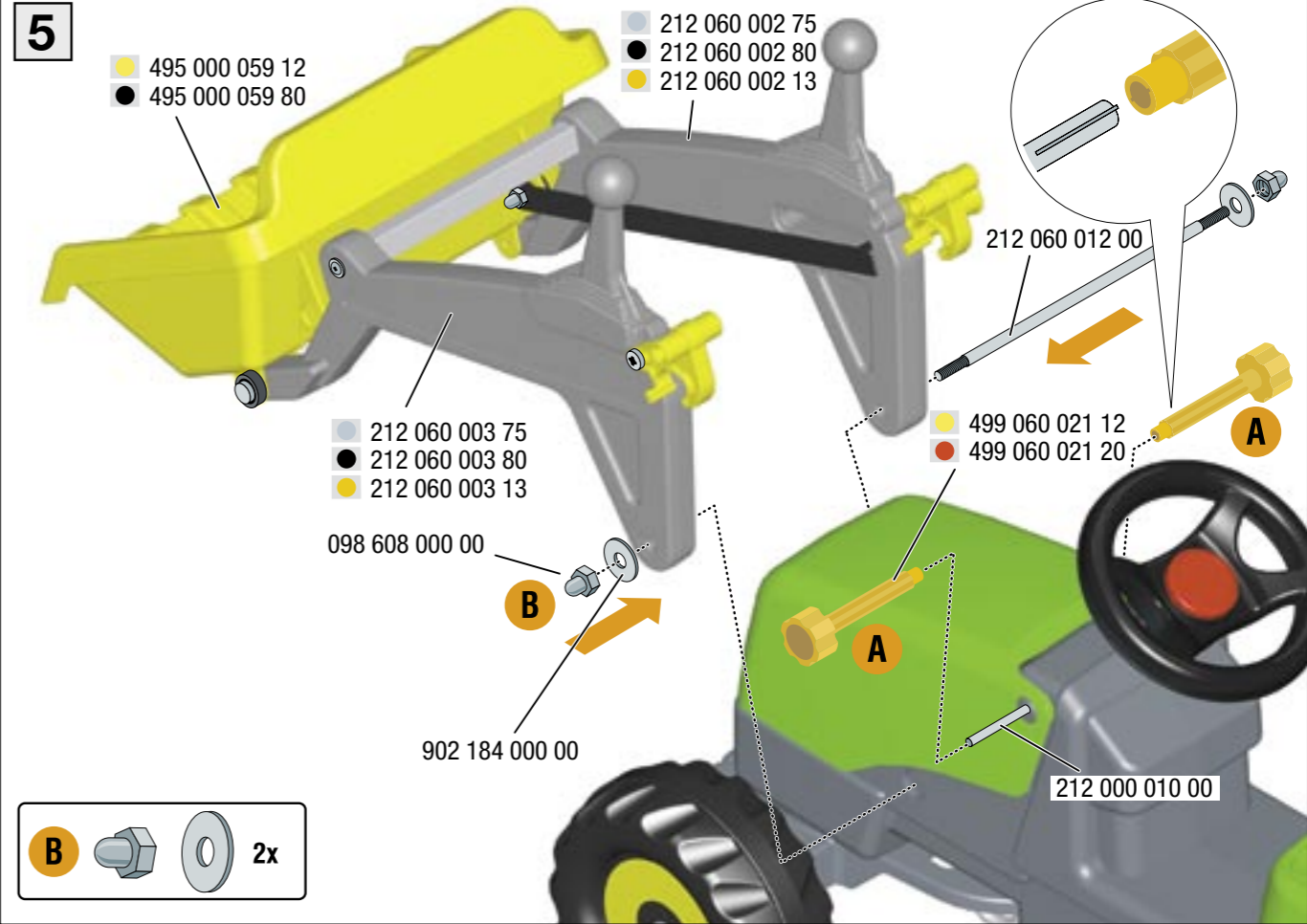
212 000 027 12

- 499 060 005 12
- 499 060 005 20

- C** ● 2x
- D** ● 2x
- E** ● 1x

- A** ● 2x

5



- 495 000 059 12
- 495 000 059 80

- 212 060 002 75
- 212 060 002 80
- 212 060 002 13

- 212 060 003 75
- 212 060 003 80
- 212 060 003 13

- 499 060 021 12
- 499 060 021 20

- B** ● 2x