



rollytoys Kundendienst Deutschland:

Tel: +49 (0) 95 68 / 856-142

Fax: +49 (0) 95 68 / 856-183

e-mail: service@rollytoys.de

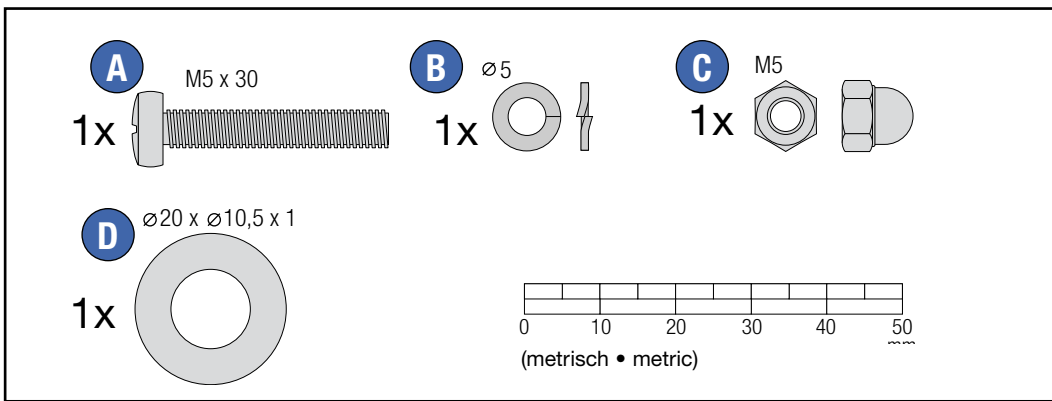
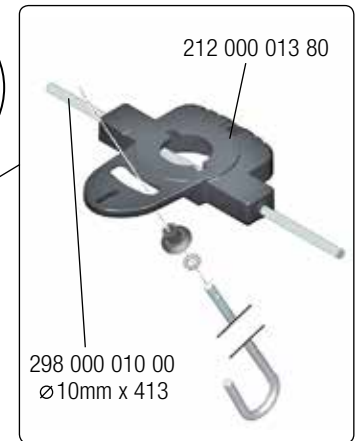
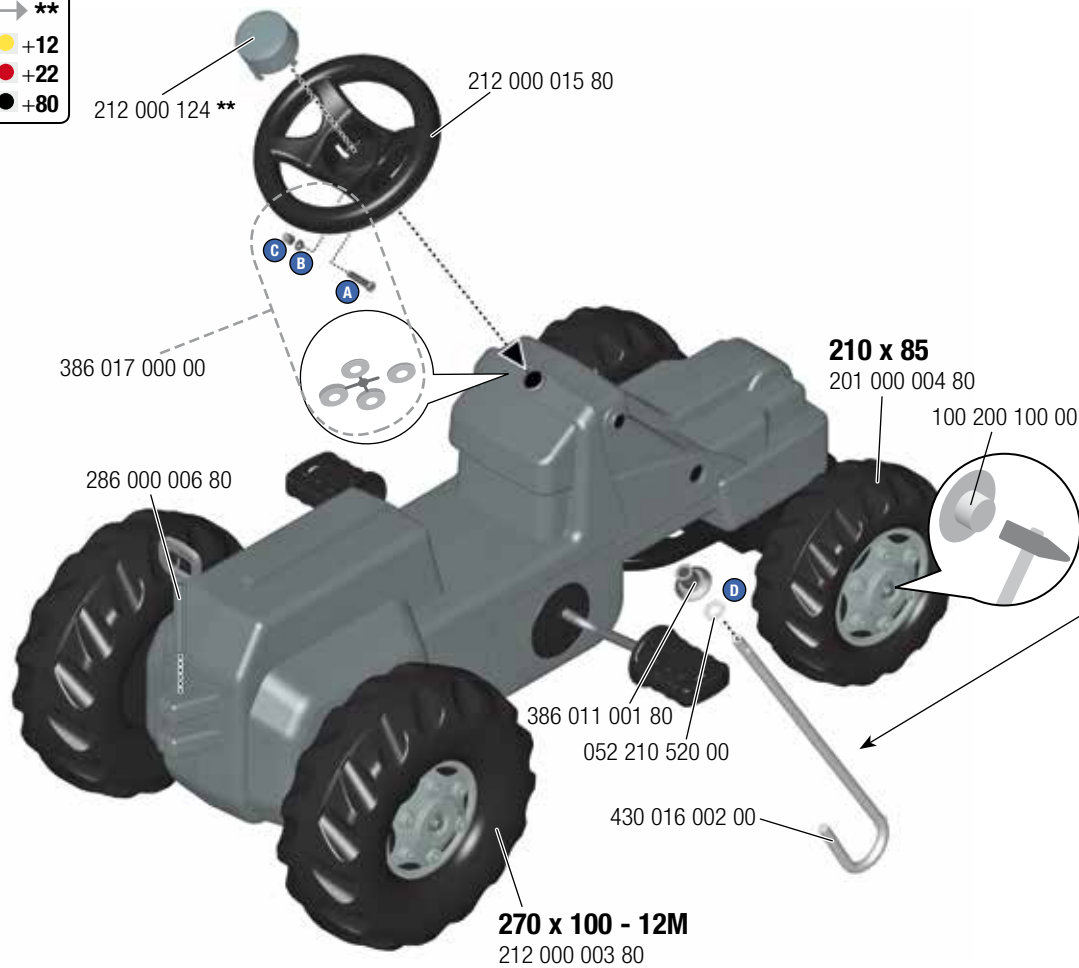
Plattform / Platform

01 \*\*\* \*, 02 \*\*\* \*

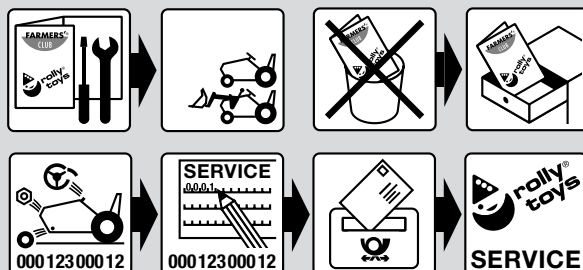
2014/01

010.000.800.00

- \*\*
- +12
- +22
- +80



made in Germany



Franz Schneider GmbH & Co KG

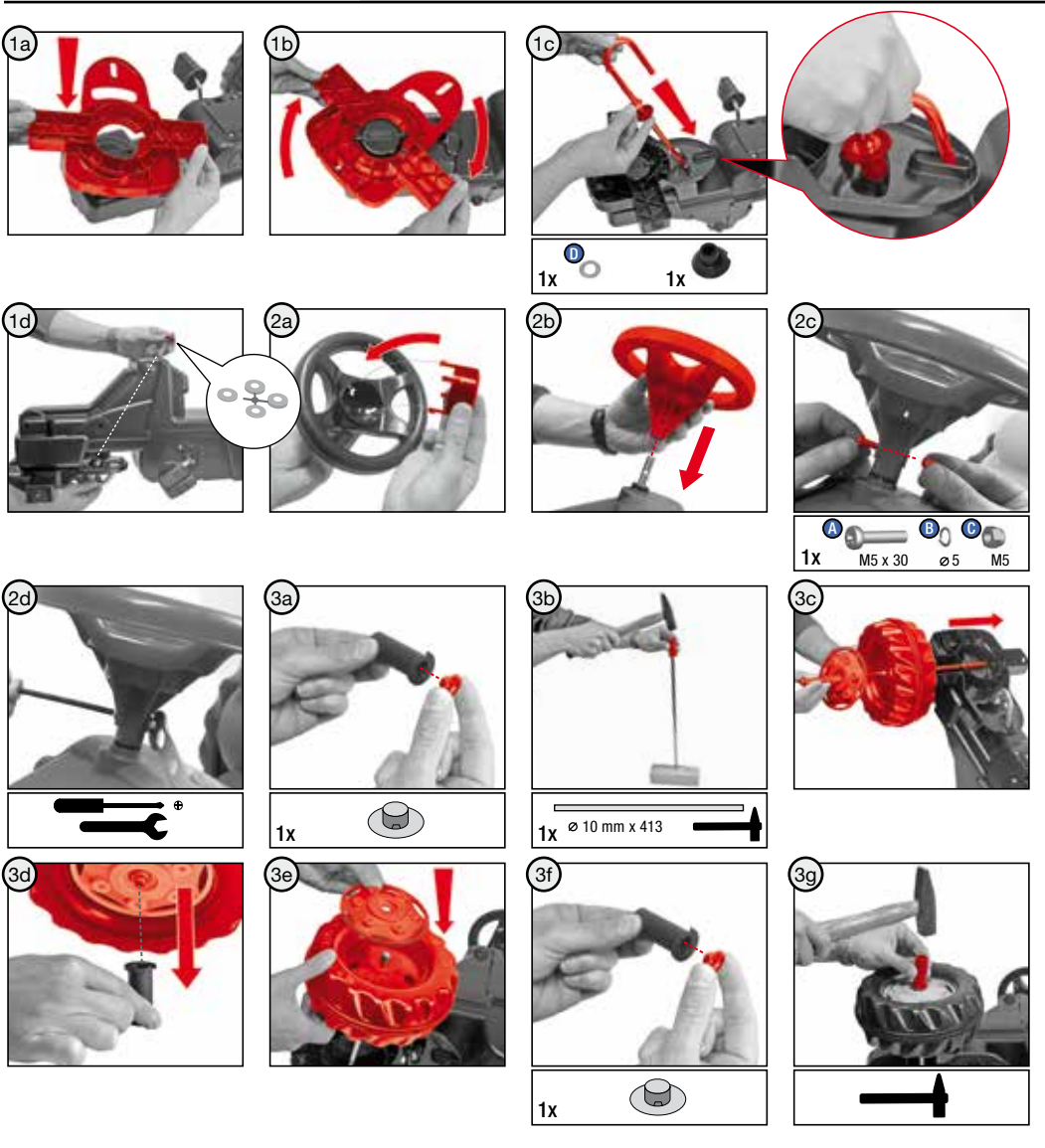
P.O.Box 1460

D-96459 · Neustadt bei Coburg · Germany

Tel.: +49 (0) 95 68 / 856-0

Fax.: +49 (0) 95 68 / 856-190

www.rollytoys.com



--- NORTH & SOUTH AMERICA only ---

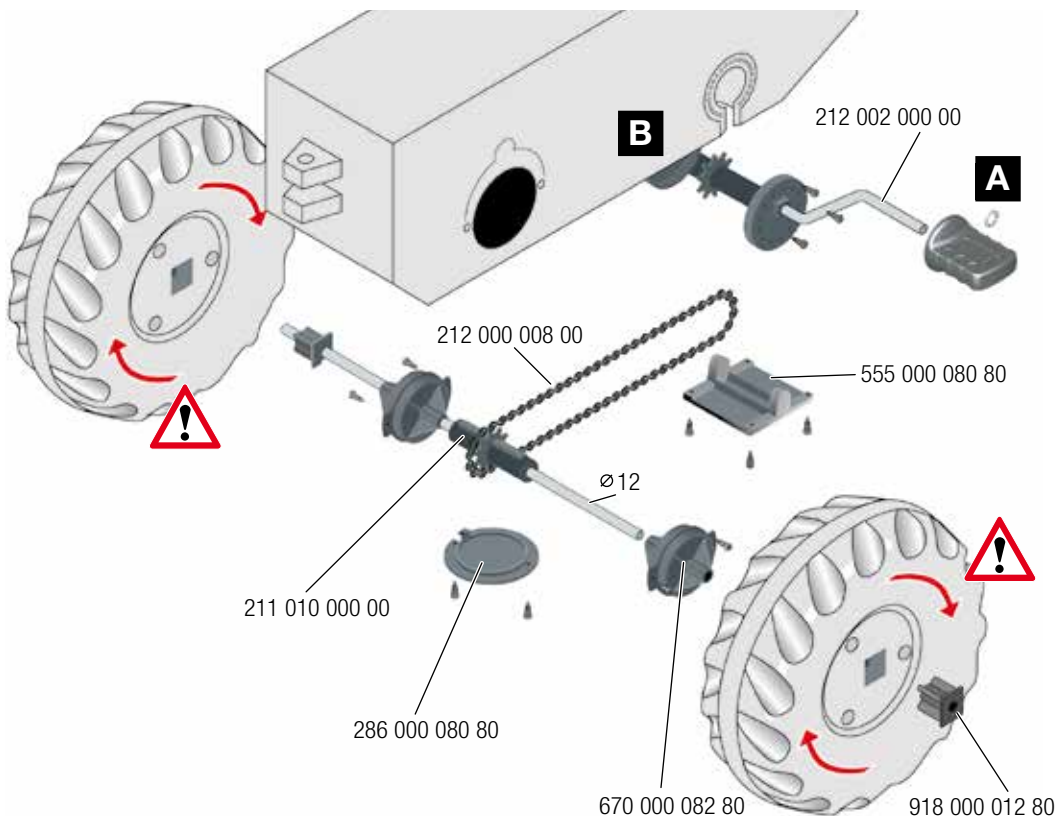
## 180 days warranty

From the date of purchase + guaranteed spare part service  
The warranty does not cover damages caused by improper use or neglect



## WARNING

- **CHOKING HAZARD:** Small parts. Danger of being swallowed. Contains small parts in non assembled state. Must be assembled by adults.
- Adult supervision required.
- Never use near steps, slopes, driveways, hills, roadways, alleys or swimming pool areas.
- Always wear shoes.
- Never allow more than one rider.
- The use of protective gear and a safety helmet is highly recommended.
- Conforms to the requirements of ASTM Standard Consumer Safety Specification on Toy Safety, F 963





rolly toys Kundendienst Deutschland:

Tel: +49 (0) 95 68 / 856-142

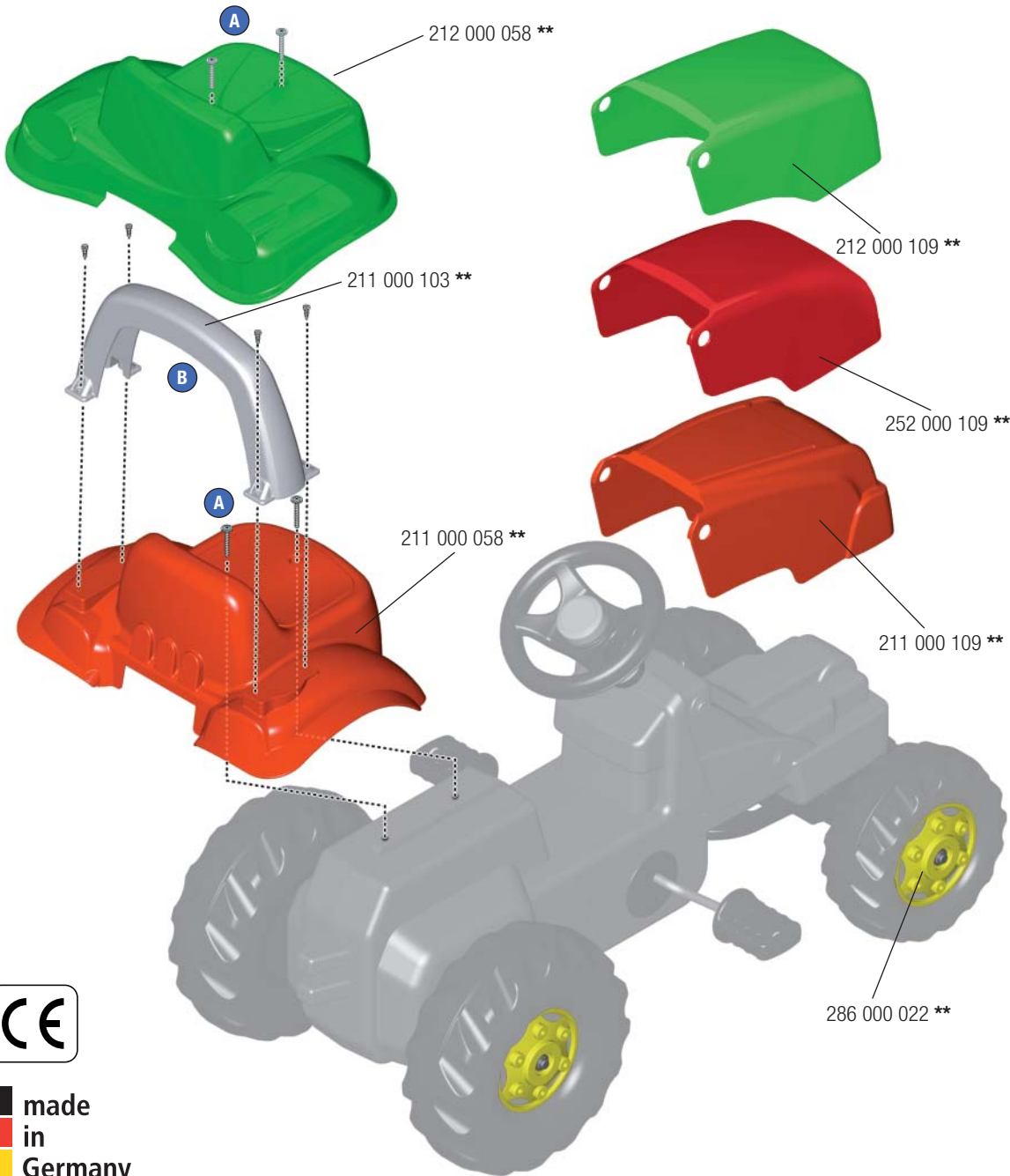
Fax: +49 (0) 95 68 / 856-183

e-mail: service@rollytoys.de

Plattform Plate-forme 01 \*\*\* \*  
Basis Piattaforma 02 \*\*\* \*

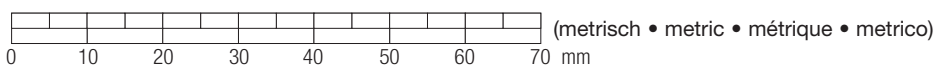
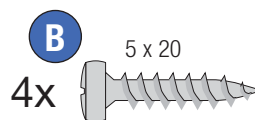
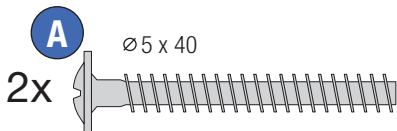
2011/03

010.000.801.00



made in Germany

| → **  |
|-------|
| ● +10 |
| ● +12 |
| ● +13 |
| ● +20 |
| ● +22 |
| ● +23 |
| ● +30 |
| ● +37 |
| ● +40 |
| ● +41 |
| ● +44 |
| ● +47 |
| ● +51 |
| ● +70 |
| ● +75 |
| ● +80 |



Franz Schneider GmbH & Co KG

P.O.Box 1460

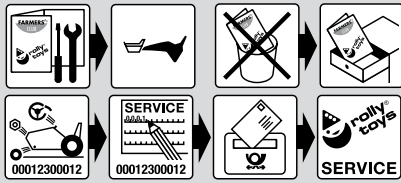
D-96459 · Neustadt bei Coburg · Germany

Tel.: +49 (0) 95 68 / 856-0

Fax.: +49 (0) 95 68 / 856-190

www.rollytoys.com · e-mail: service@rollytoys.de

# rollyki Lader

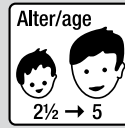


rolly toys Kundendienst Deutschland:

Tel: +49 (0) 95 68 / 856-142

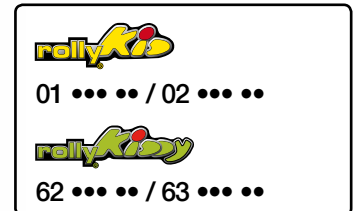
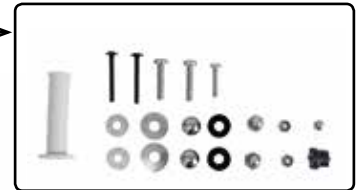
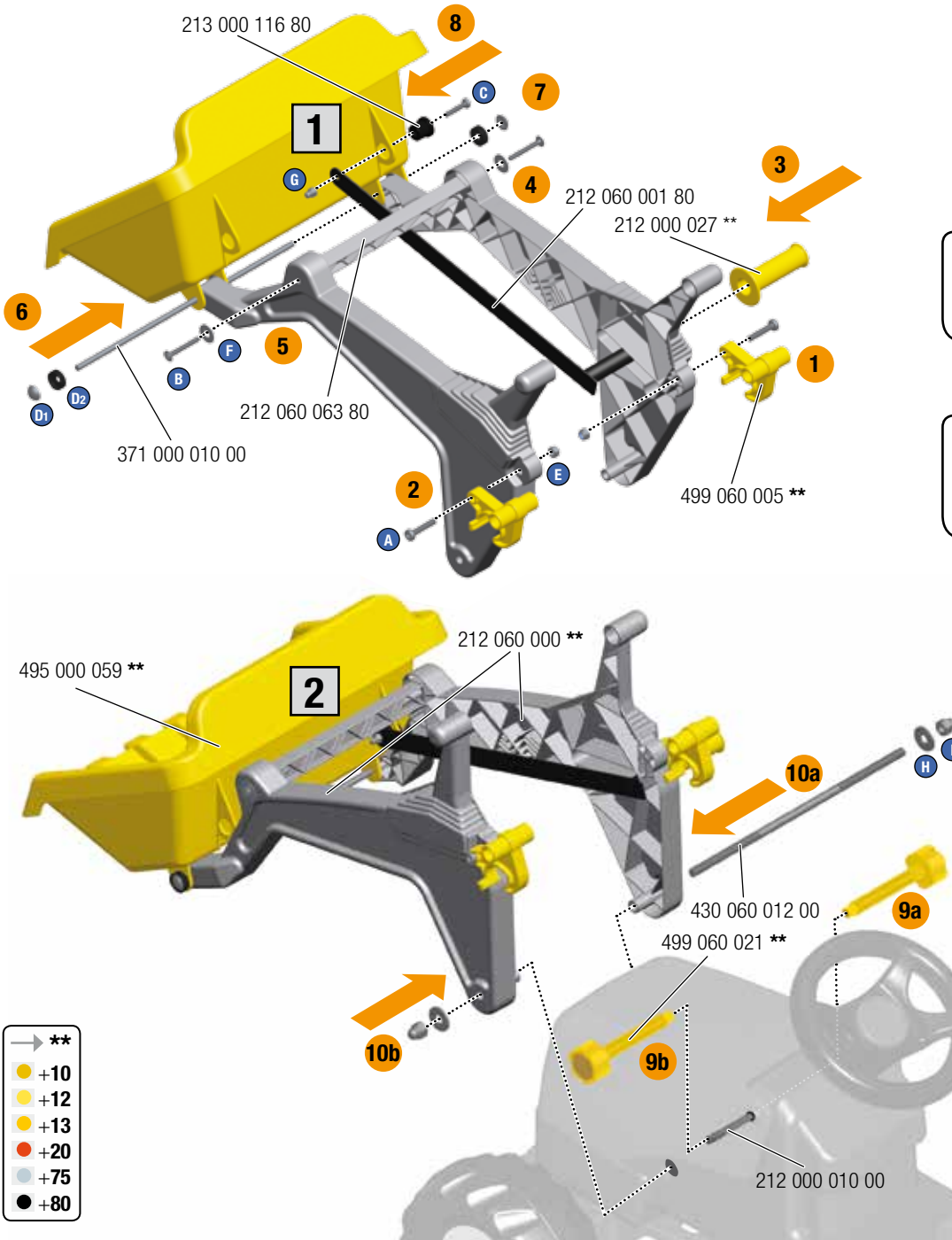
Fax: +49 (0) 95 68 / 856-183

e-mail: service@rollytoys.de



2016/11

931.000.800.00



--NORTH & SOUTH AMERICA only--

**180 days warranty**

From the date of purchase + guaranteed spare part service  
The warranty does not cover damages caused by improper use or neglect

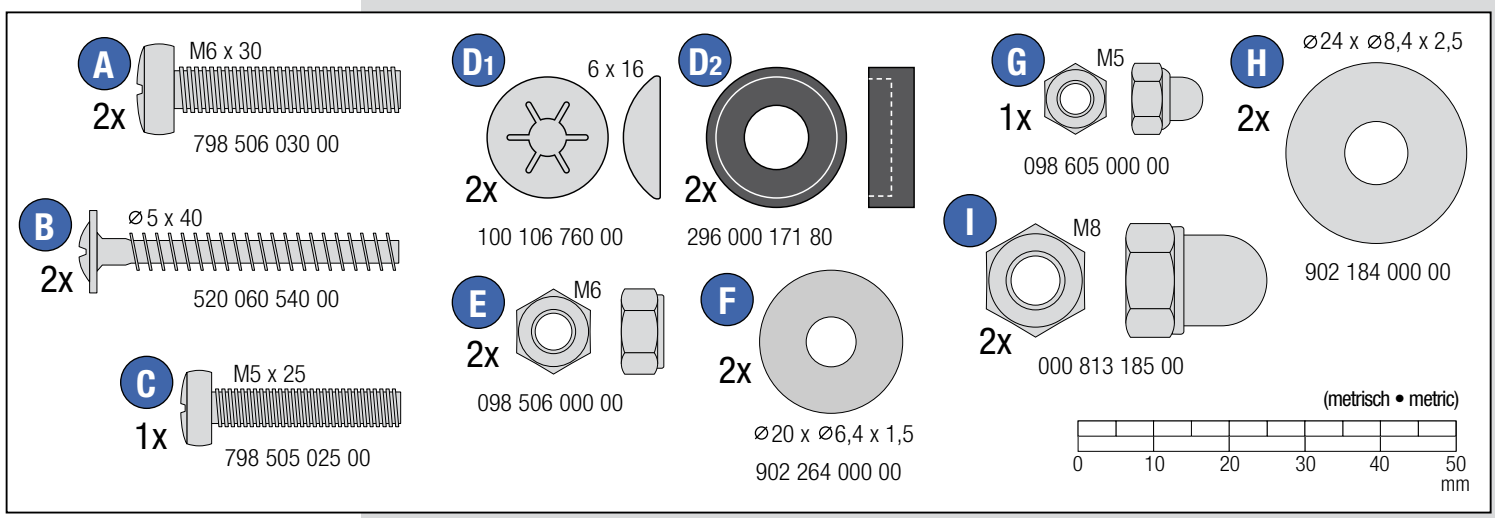
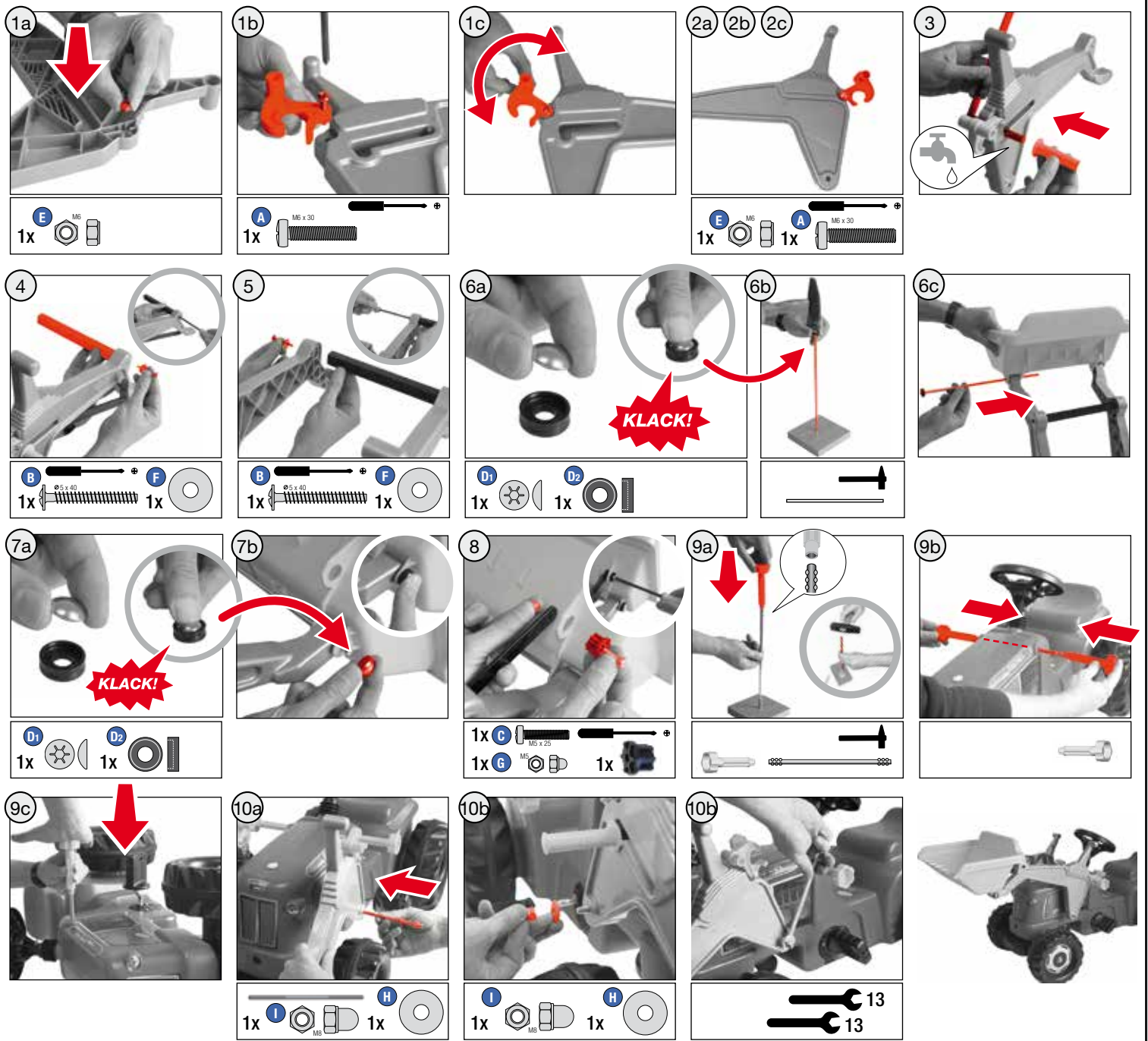


## WARNING

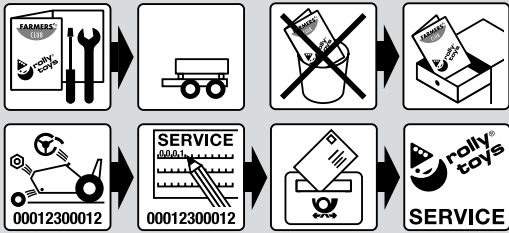
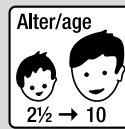
- CHOKING HAZARD - Small parts, Danger of being swallowed. Contains small parts in non assembled state. Must be assembled by adults.
- Toy is not suitable to carry children.
- If toy is defective stop using it, repairs may only be carried out by adults.
- Adult supervision required.
- Never use near steps, slopes, driveways, hills, roadways, alleys or swimming pool areas.
- Always wear shoes.
- Conforms to the requirements of ASTM Standard Consumer Safety Specification on Toy Safety, F 963.



**Franz Schneider GmbH & Co KG**  
P.O.Box 1460  
D-96459 · Neustadt bei Coburg · Germany  
Tel.: +49 (0) 95 68 / 856-0  
Fax.: +49 (0) 95 68 / 856-190  
www.rollytoys.com · e-mail: service@rollytoys.de



# rollyKid Trailer



rolly toys Kundendienst Deutschland:

Tel: +49 (0) 95 68 / 856-142  
 Fax: +49 (0) 95 68 / 856-183  
 e-mail: service@rollytoys.de

2016/11

211.000.800.00



made in Germany



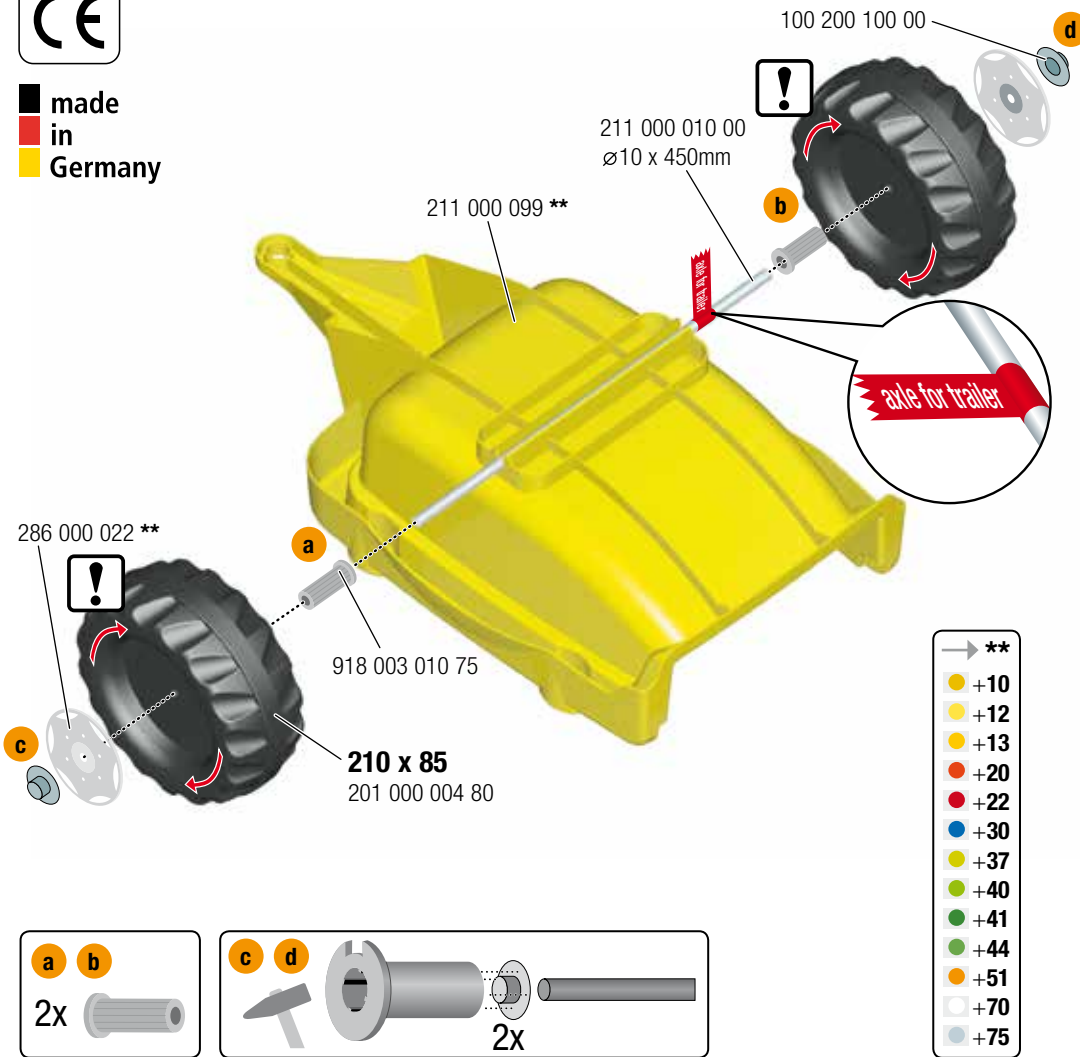
---NORTH & SOUTH AMERICA only---

**180 days warranty**

From the date of purchase + guaranteed spare part service  
 The warranty does not cover damages caused by improper use or neglect

## WARNING

- CHOKING HAZARD - Small parts, Danger of being swallowed. Contains small parts in non assembled state. Must be assembled by adults.
- Toy is not suitable to carry children.
- If toy is defective stop using it, repairs may only be carried out by adults.
- Adult supervision required.
- Never use near steps, slopes, driveways, hills, roadways, alleys or swimming pool areas.
- Always wear shoes.
- Conforms to the requirements of ASTM Standard Consumer Safety Specification on Toy Safety, F 963.



| Icon                                | Model                  | Age Range         |
|-------------------------------------|------------------------|-------------------|
| <input checked="" type="checkbox"/> | rolly Dreiradtraktoren | 05 ●●●●           |
| <input type="checkbox"/>            | rollyMinitrac          | 13 ●●●●           |
| <input checked="" type="checkbox"/> | rollyKid               | 01 ●●●● / 02 ●●●● |
| <input checked="" type="checkbox"/> | rollyJunior            | 80 ●●●● / 81 ●●●● |
| <input checked="" type="checkbox"/> | rollyFarmtrac          | 60 ●●●● / 61 ●●●● |
| <input checked="" type="checkbox"/> | rollyFarmtrac Classic  | 03 ●●●● / 04 ●●●● |
| <input checked="" type="checkbox"/> | rollyFarmtrac Premium  | 70 ●●●● / 71 ●●●● |
| <input checked="" type="checkbox"/> | rollyX-Trac            | 03 ●●●● / 04 ●●●● |
| <input checked="" type="checkbox"/> | rollyTruck (Unimog)    | 03 ●●●●           |



Franz Schneider GmbH & Co KG  
 P.O.Box 1460  
 D-96459 - Neustadt bei Coburg - Germany  
 Tel.: +49 (0) 95 68 / 856-0  
 Fax.: +49 (0) 95 68 / 856-190  
 www.rollytoys.com