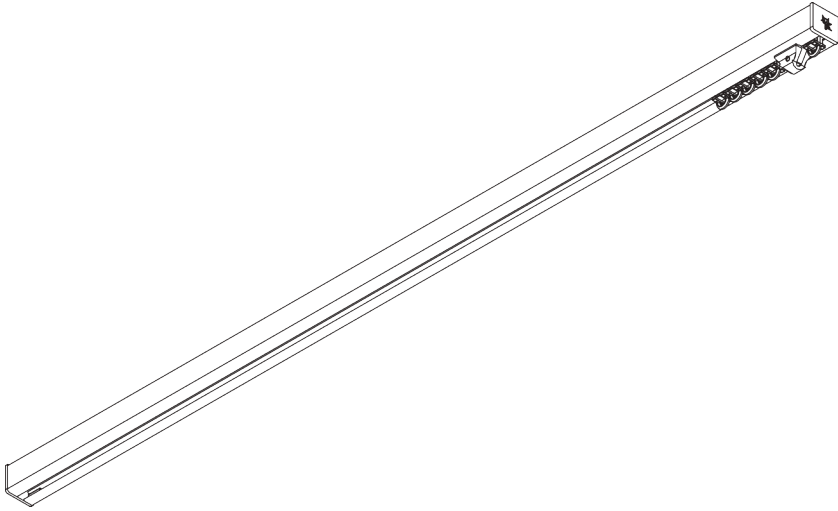


# SG 6870

---



## PRODUCT INFORMATION

- **Operation:** hand
- **Range:** M - L
- **Fitting:** ceiling, wall, recess
- **Colours:** white RAL 9016, black RAL 9005 or anodised aluminum, special colours possible (recess profile only in white RAL 9016, black RAL 9005 or special color)
- **Fabrics:** refer to Silent Gliss fabric collection

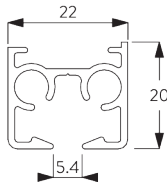
### **Features:**

- 2-component (2C) glider technology
- Wave (2C)
- Bendable
- Bendable recess profile

# SYSTEM SPECIFICATIONS

## A. PROFILE

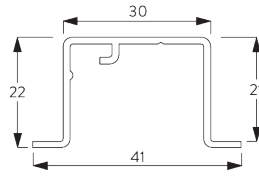
Profile and bending information



**SG 11190**

Profile

Radius:  >26 cm

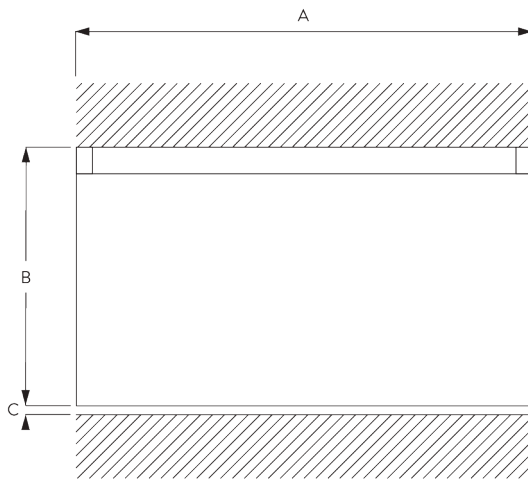


**SG 11230**

Recess profile

Radius:  >50 cm

## B. HOW TO MEASURE



A: System width

B: System height

C: Distance between floor and fabric

## C. SPECIFICATION TEXT

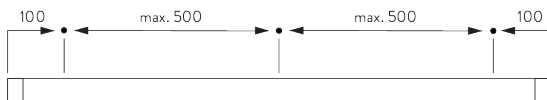
**Silent Gliss SG 6870 Hand Operated Curtain Track System.** Comprises aluminium profile SG 11190 supplied made to measure, available in silver anodised or powder coated in white / matt white / anodic grey / antique bronze / charcoal / black. Supplied as standard with 2C gliders SG 11300 at 14/m, 2 end covers SG 11233 and 2 end stops SG 6065. Top fixed with fixing clamp SG 3825 at 500mm centres. Optional top fix bracket SG 3832 / Wall fix with SG Smart Fix brackets SG 11201-11205 and SG 3826 or SG 3832 / Square Smart Fix brackets SG 11210-11215 and SG 3826 or SG 3832 / SG Universal Smart Fix brackets SG 11154-11156

# FITTING

## A. FITTING INFORMATION

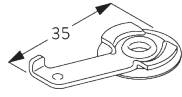
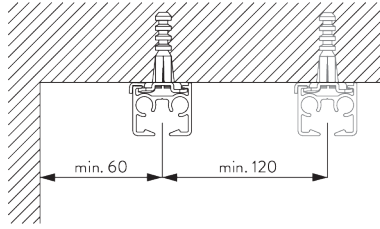
Fixing points

For detailed fitting information, visit the Silent Gliss website.



**B. CEILING FITTING**

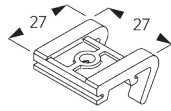
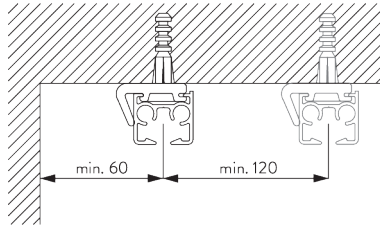
**Clamp SG 3825**



**SG 3825**

*Clamp*

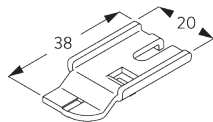
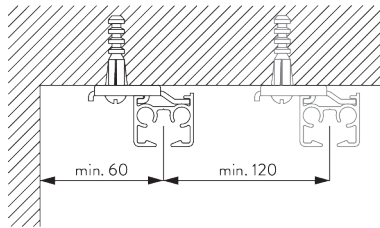
**Bracket SG 3826**



**SG 3826**

*Bracket*

**Bracket SG 3832**

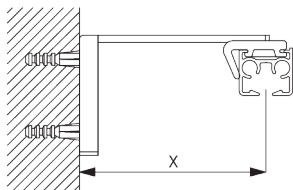


**SG 3832**

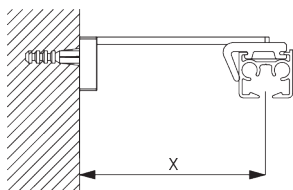
*Bracket*

## C. WALL FITTING

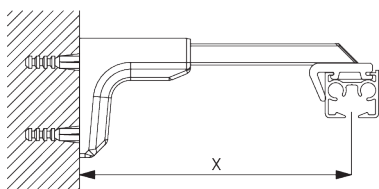
### Smart Fix



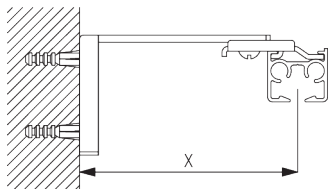
**Smart Fix SG 11200 - SG 11205 and bracket SG 3826:**  
Screw SG 10492 (M4x8) needed.



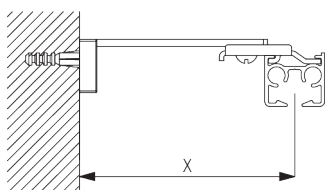
**Square Smart Fix SG 11210 - SG 11215 and bracket SG 3826:**  
Screw SG 10492 (M4x8) needed.



**Universal Smart Fix SG 11154 - SG 11156 and bracket SG 3826:**  
Screw SG 10277 (M4x12) needed.

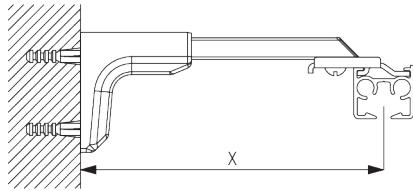


**Smart Fix SG 11200 - SG 11205 and bracket SG 3832:**  
Screw SG 10492 (M4x8) needed.



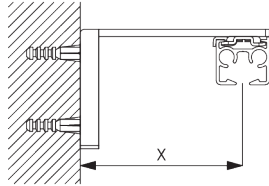
**Square Smart Fix SG 11210 - SG 11215 and bracket SG 3832:**  
Screw SG 10492 (M4x8) needed.

Smart Fix	X mm (SG 3826 / SG 3825)	X mm (SG 3832)
SG 11200 / SG 11210	52	70
SG 11201 / SG 11211	72	90
SG 11202 / SG 11212	92	110
SG 11203 / SG 11213	112	130
SG 11204 / SG 11214	142	160
SG 11205 / SG 11215	192	210
SG 11154	102-130	120-148
SG 11155	132-160	150-178
SG 11156	182-210	200-228



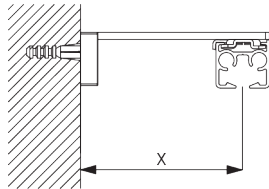
**Universal Smart Fix SG 11154 - SG 11156 and bracket SG 3832:**

Screw SG 10407 (M4x10) needed.



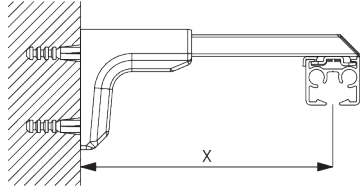
**Smart Fix SG 11200 - SG 11205 and clamp SG 3825:**

Screw SG 10074 (M4x8) needed.



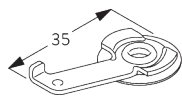
**Square Smart Fix SG 11210 - SG 11215 and clamp SG 3825:**

Screw SG 10074 (M4x8) needed.

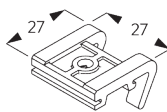


**Universal Smart Fix SG 11154 - SG 11156 and clamp SG 3825:**

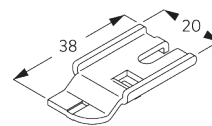
Screw SG 11158 (M4x12) needed.



**SG 3825**  
Clamp



**SG 3826**  
Bracket



**SG 3832**  
Bracket



**SG 10074**  
Countersunk head screw  
M4x8



**SG 10277**  
Pan head screw M4x12



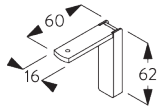
**SG 10407**  
Pan head screw M4x10



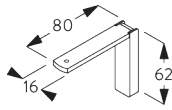
**SG 10492**  
Pan head screw M4x8



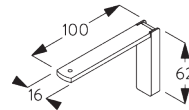
**SG 11158**  
Countersunk head screw  
M4x12



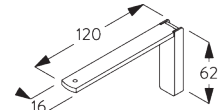
**SG 11200**  
Smart Fix 60 mm



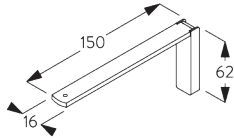
**SG 11201**  
Smart Fix 80 mm



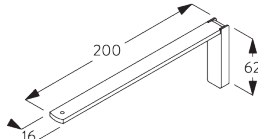
**SG 11202**  
Smart Fix 100 mm



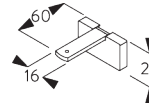
**SG 11203**  
Smart Fix 120 mm



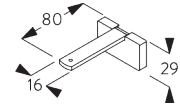
**SG 11204**  
Smart Fix 150 mm



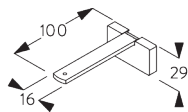
**SG 11205**  
Smart Fix 200 mm



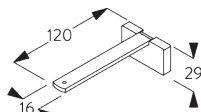
**SG 11210**  
Square Smart Fix 60 mm



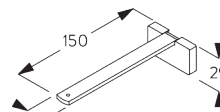
**SG 11211**  
Square Smart Fix 80 mm



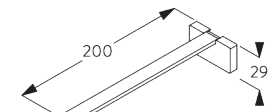
**SG 11212**  
Square Smart Fix 100 mm



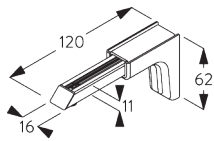
**SG 11213**  
Square Smart Fix 120 mm



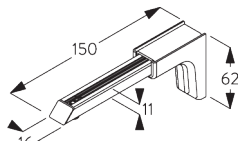
**SG 11214**  
Square Smart Fix 150 mm



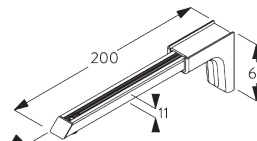
**SG 11215**  
Square Smart Fix 200 mm



**SG 11154**  
Universal Smart Fix 120 mm

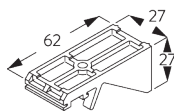
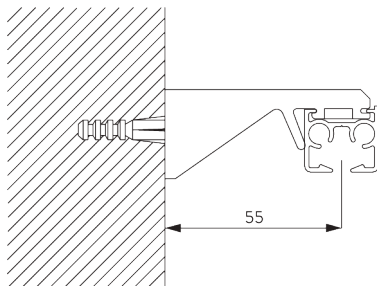


**SG 11155**  
Universal Smart Fix 150 mm



**SG 11156**  
Universal Smart Fix 200 mm

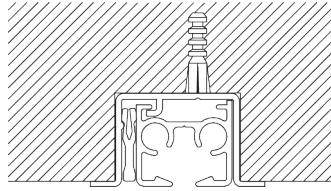
## Bracket SG 3836



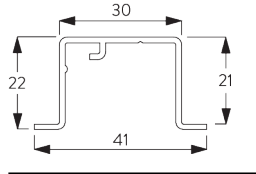
**SG 3836**  
Bracket

## D. RECESS FITTING

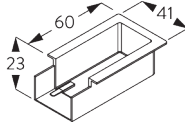
### Recess profile SG 11230



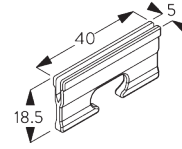
One wedge SG 10157 per fixing point.  
For detailed recess fitting, visit the Silent Gliss website.



**SG 11230**  
Recess profile



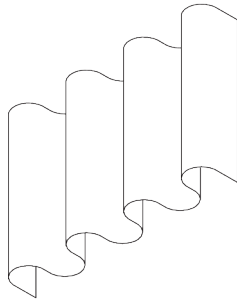
**SG 11238**  
Recess Mask



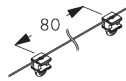
**SG 10157**  
Wedge

# SYSTEM OPTIONS

## A. WAVE



SG 11295



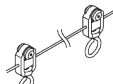
SG 11302



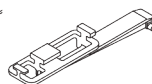
SG 2255



SG 2256



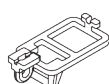
SG 6099



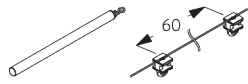
SG 6364



SG 6365



SG 6366



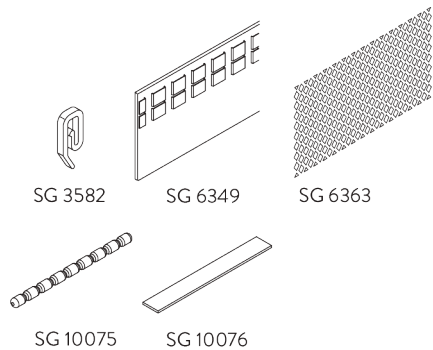
SG 10430-34 SG 11303

### Standard components:

- SG 11295 End stop
- SG 11302 Wave 2C glider cord 80 mm

### Optional components:

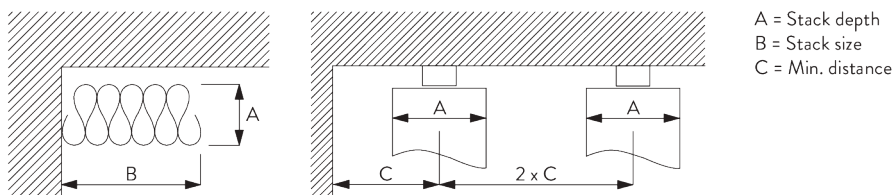
- SG 2255 Brake
- SG 2256 Brake
- SG 6099 Wave roller cord 80 mm
- SG 6364 Wave extension
- SG 6365 Wave hanger
- SG 6366 Wave carrier for draw rod
- SG 10430-34 Draw rod
- SG 11303 Wave 2C glider cord 60 mm



Curtain components:

- SG 3582 Hook
- SG 6349 Wave curtain tape
- SG 6363 Wave top hemming tape
- SG 10075 Lead weight 50 gr/m
- SG 10076 Fabric weight

Wave stack depth - 2C glider cord (standard components)



A = Stack depth  
 B = Stack size  
 C = Min. distance

2C Glider cord SG 11302	Pockets between hooks	Approx. curtain fullness	Stack depth A	Stack size B*	Min distance C
80	6	~2.1	140	180 per metre of track	90
80	7	~2.3	160	180 per metre of track	100

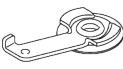




2C Glider cord SG 11303	Pockets between hooks	Approx. curtain fullness	Stack depth A	Stack size B*	Min distance C
60	4	~2.1	100	230 per metre of track	70
60	5	~2.3	120	230 per metre of track	80

\*Stack size B when using optional extension arm SG 6364  
 increases by 95 mm per curtain stack!

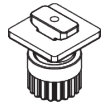
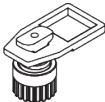



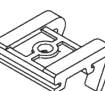
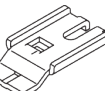
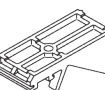





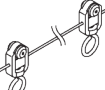


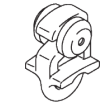
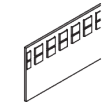
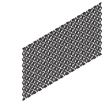
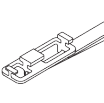
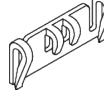
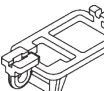


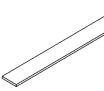
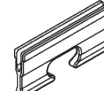


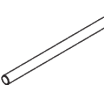
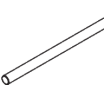
# PARTS

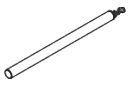
## A. STANDARD PARTS

	<b>SG 3825</b> Clamp
	<b>SG 6065</b> End stop
	<b>SG 11190</b> Profile
	<b>SG 11233</b> End cover
	<b>SG 11300</b> 2C glider

## B. OPTIONAL PARTS

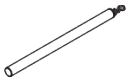
	<b>SG 2255</b> Brake
	<b>SG 2256</b> Brake
	<b>SG 3582</b> Hook
	<b>SG 3599</b> Hook
	<b>SG 3802</b> Connection bridge
	<b>SG 3826</b> Bracket
	<b>SG 3832</b> Bracket
	<b>SG 3836</b> Bracket
	<b>SG 6053</b> Spring stop
	<b>SG 6064</b> End stop
	<b>SG 6086</b> Spring stop
	<b>SG 6094</b> Roller
	<b>SG 6098</b> Roller
	<b>SG 6099</b> Wave roller cord 80 mm

	<b>SG 6283</b> Roller
	<b>SG 6349</b> Wave curtain tape
	<b>SG 6363</b> Wave top hemming tape
	<b>SG 6364</b> Wave extension
	<b>SG 6365</b> Wave hanger
	<b>SG 6366</b> Wave carrier for draw rod
	<b>SG 10074</b> Countersunk head screw M4x8
	<b>SG 10075</b> Lead weight 50 g/m
	<b>SG 10076</b> Fabric weight
	<b>SG 10157</b> Wedge
	<b>SG 10277</b> Pan head screw M4x12
	<b>SG 10407</b> Pan head screw M4x10
	<b>SG 10430</b> Draw rod 50 cm
	<b>SG 10431</b> Draw rod 75 cm



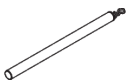
**SG 10432**

Draw rod 100 cm



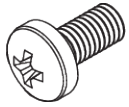
**SG 10433**

Draw rod 125 cm



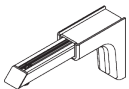
**SG 10434**

Draw rod 150 cm



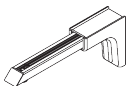
**SG 10492**

Pan head screw M4x8



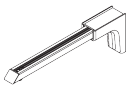
**SG 11154**

Universal Smart Fix 120 mm



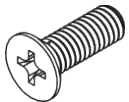
**SG 11155**

Universal Smart Fix 150 mm



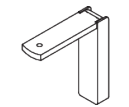
**SG 11156**

Universal Smart Fix 200 mm



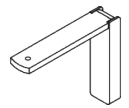
**SG 11158**

Countersunk head screw M4x12



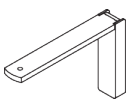
**SG 11200**

Smart Fix 60 mm



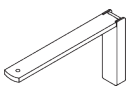
**SG 11201**

Smart Fix 80 mm



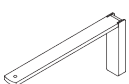
**SG 11202**

Smart Fix 100 mm



**SG 11203**

Smart Fix 120 mm



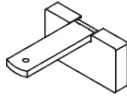
**SG 11204**

Smart Fix 150 mm



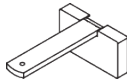
**SG 11205**

Smart Fix 200 mm



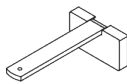
**SG 11210**

Square Smart Fix 60 mm



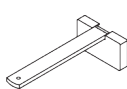
**SG 11211**

Square Smart Fix 80 mm



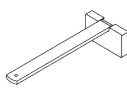
**SG 11212**

Square Smart Fix 100 mm



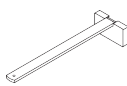
**SG 11213**

Square Smart Fix 120 mm



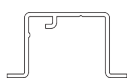
**SG 11214**

Square Smart Fix 150 mm



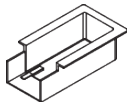
**SG 11215**

Square Smart Fix 200 mm



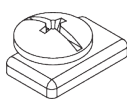
**SG 11230**

Recess profile



**SG 11238**

Recess Mask



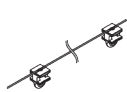
**SG 11295**

End stop



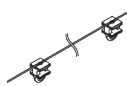
**SG 11301**

2C glider on strip



**SG 11302**

Wave 2C glider cord 80 mm



**SG 11303**

Wave 2C glider cord 60 mm



