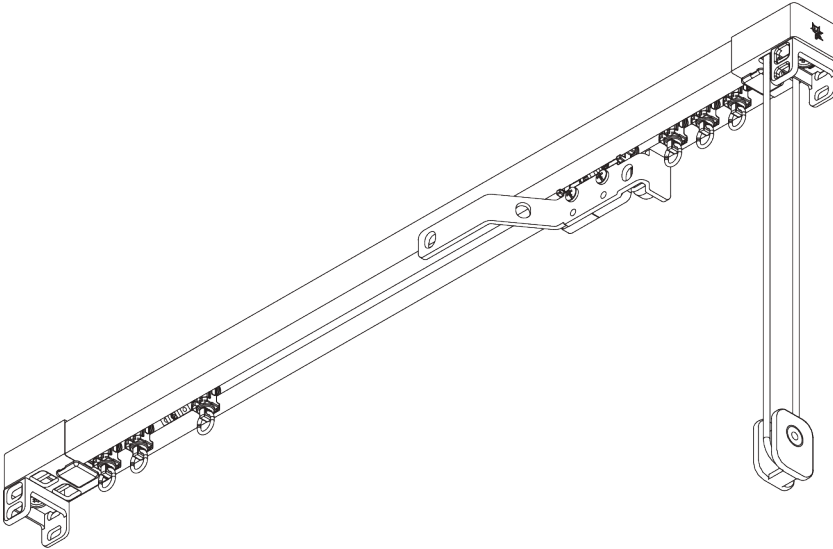
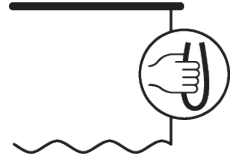


# SG 3970

---



## PRODUCT INFORMATION

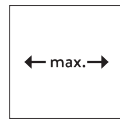
- **Operation:** cord
- **Range:** M - L
- **Fitting:** ceiling, wall, recess
- **Colours:** white RAL 9016; special colours or anodised aluminum possible (recess profile only in white RAL 9016 or special color)
- **Fabrics:** refer to Silent Gliss fabric collection

### **Features:**

- 2-component (2C) roller technology
- Wave (2C)
- Bendable
- Bendable recess profile

# SYSTEM SPECIFICATIONS

## A. SYSTEM DIMENSIONS



15 m



38 kg

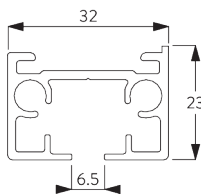
## Max. curtain weight - 2C roller

	2 m	4 m	6 m	8 m	10 m	12 m	15 m
	25	38	35	30	25	20	15
	25	38	35	30	25	20	15
	25	30	25	20	18	15	10
	25	30	25	20	18	15	10
	13	16	13	11	10	8	6
	13	16	13	11	10	8	6
	11	13	11	10	9	7	-
	11	13	11	10	9	7	-

(kg max.)

## B. PROFILE

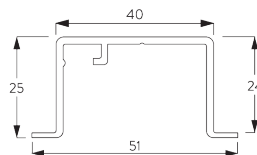
### Profile and bending information



**SG 3971**

Profile

Radius: >25 cm

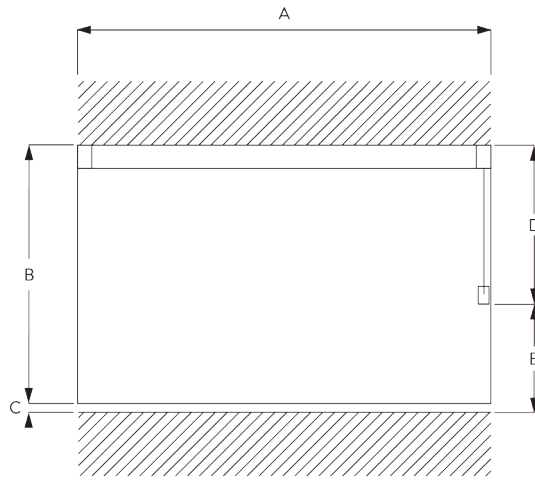


**SG 10862**

Recess profile

Radius: 50 - 75 cm  
>75 cm on request

**C. HOW TO  
MEASURE**



- A: System width
- B: System height
- C: Distance between floor and fabric
- D: Cord height
- E: Safety Retainer SG 10731 min. 150 cm above floor

**D. SPECIFICATION  
TEXT**

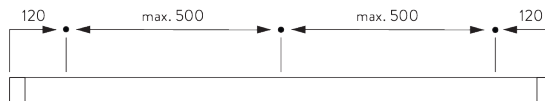
**Silent Gliss SG 3970 Cord Operated Curtain Track System.** Comprises aluminium profile SG Supplied made to measure and complete comprising aluminium profile SG 3971. Supplied as standard with 2C roller gliders SG 10840 at 10/m, cord guide/return set SG 11315, overlap SG 10821, spring stop SG 11465 and cord SG 3090. Top fixed with fixing clamp SG 3004 at 500mm centres. Optional top fix with mounting plate SG 10865 and profile protector SG 7002. Wall fix with bracket SG 3041 / Wall fix with Smart Fix brackets SG 11201-11205 and SG 3041 or SG 3004 / Square Smart Fix brackets SG 11210-11215 and SG 3041 or SG 3004 / Wall fix with Universal Smart Fix brackets SG 11154-11156 and SG 3041. Recess fix with recess profile SG 10862, recess mask SG 10864. Silent Gliss Wave option is available using 60mm glider cord SG 10869 / 80mm glider cord SG 10852. Compliant to Child Safety legislation EN 13120.

**FITTING**

**A. FITTING  
INFORMATION**

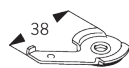
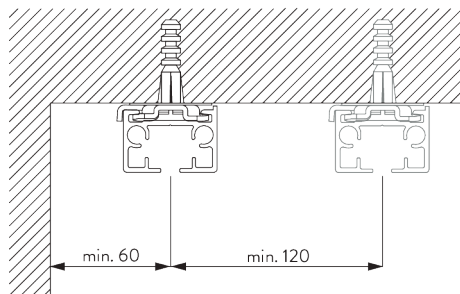
For detailed fitting information, visit the Silent Gliss website.

**Fixing points**



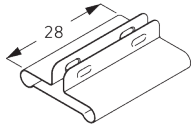
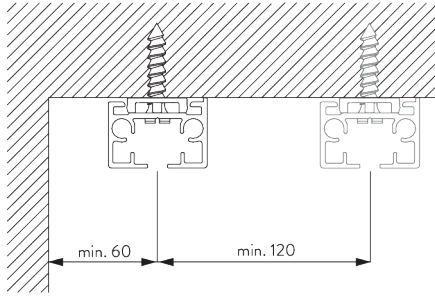
**B. CEILING FITTING**

**Clamp SG 3004**



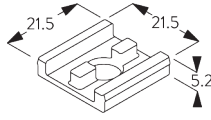
**SG 3004**  
Clamp

## Direct fitting



**SG 7002**

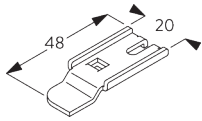
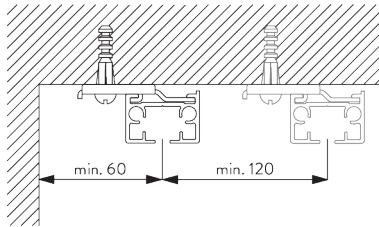
Profile protector



**SG 10865**

Support plate

## Bracket SG 3041

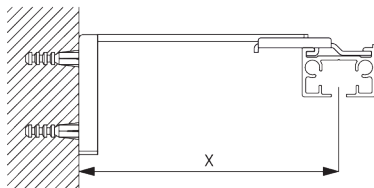


**SG 3041**

Bracket

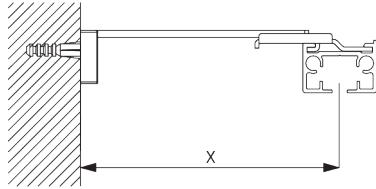
## C. WALL FITTING

### Smart Fix



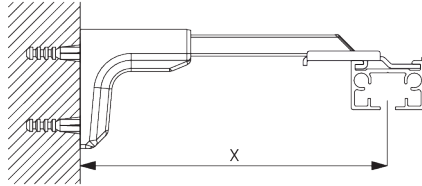
**Smart Fix SG 11200 - SG 11205 and bracket SG 3041:**  
Screw SG 10492 (M4x8) needed.

Smart Fix	X mm (SG 3041)	X mm (SG 3004)
SG 11200 / SG 11210	83	
SG 11201 / SG 11211	103	72
SG 11202 / SG 11212	123	92
SG 11203 / SG 11213	143	112
SG 11204 / SG 11214	173	142
SG 11205 / SG 11215	223	192
SG 11154	128-156	102-130
SG 11155	158-186	132-160
SG 11156	208-236	182-210



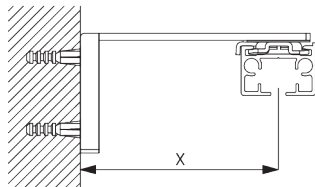
**Square Smart Fix SG 11210 - SG 11215 and bracket SG 3041:**

Screw SG 10492 (M4x8) needed.



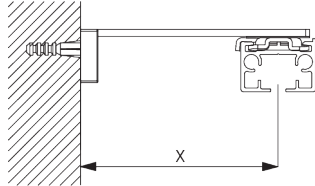
**Universal Smart Fix SG 11154 - SG 11156 and bracket SG 3041:**

Screw SG 10407 (M4x10) needed.



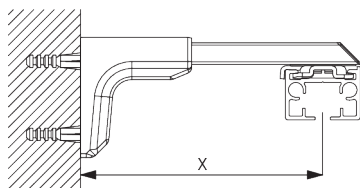
**Smart Fix SG 11201 - SG 11205 and clamp SG 3004:**

Screw SG 10074 (M4x8) needed.



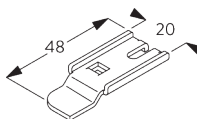
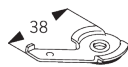
**Square Smart Fix SG 11211 - SG 11215 and clamp SG 3004:**

Screw SG 10074 (M4x8) needed.



**Universal Smart Fix SG 11154 - SG 11156 and clamp SG 3004:**

Screw SG 11158 (M4x12) needed.



**SG 3004**  
Clamp

**SG 3041**  
Bracket

**SG 10074**  
Countersunk head screw  
M4x8

**SG 10407**  
Pan head screw M4x10



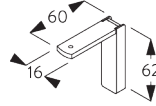
**SG 10492**

Pan head screw M4x8



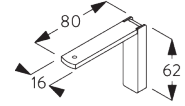
**SG 11158**

Countersunk head screw M4x12



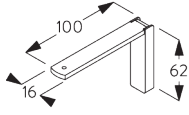
**SG 11200**

Smart Fix 60 mm



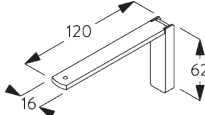
**SG 11201**

Smart Fix 80 mm



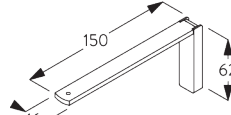
**SG 11202**

Smart Fix 100 mm



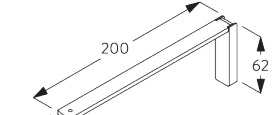
**SG 11203**

Smart Fix 120 mm



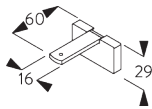
**SG 11204**

Smart Fix 150 mm



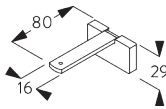
**SG 11205**

Smart Fix 200 mm



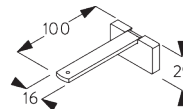
**SG 11210**

Square Smart Fix 60 mm



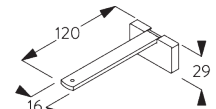
**SG 11211**

Square Smart Fix 80 mm



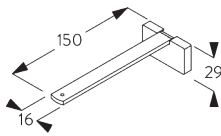
**SG 11212**

Square Smart Fix 100 mm



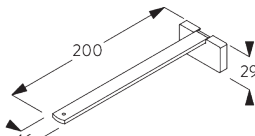
**SG 11213**

Square Smart Fix 120 mm



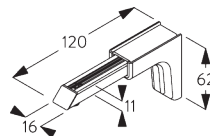
**SG 11214**

Square Smart Fix 150 mm



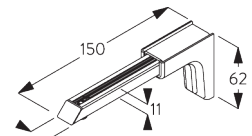
**SG 11215**

Square Smart Fix 200 mm



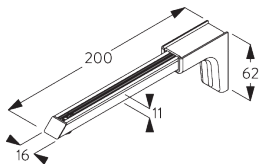
**SG 11154**

Universal Smart Fix 120 mm



**SG 11155**

Universal Smart Fix 150 mm

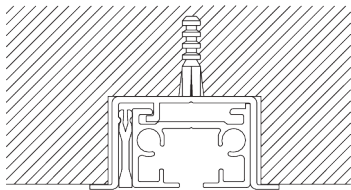


**SG 11156**

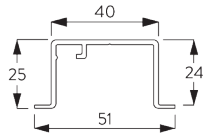
Universal Smart Fix 200 mm

**D. RECESS FITTING**

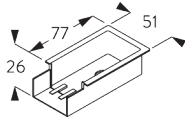
**Recess profile  
SG 10862**



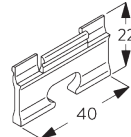
One wedge SG 5118 per fixing point.  
For detailed recess fitting, visit the Silent Gliss website.



**SG 10862**  
Recess profile



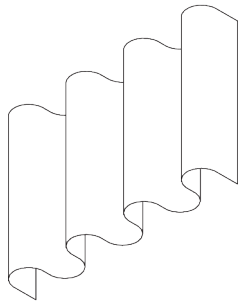
**SG 10864**  
Recess mask



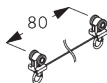
**SG 5118**  
Wedge

# SYSTEM OPTIONS

## A. WAVE



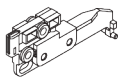
SG 11295



SG 10852



SG 6365



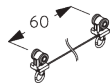
SG 10845



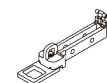
SG 10854



SG 10867



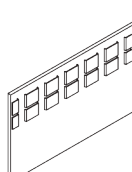
SG 10869



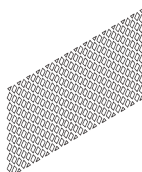
SG 10887



SG 3582



SG 6349



SG 6363



SG 10075



SG 10076

### Standard components:

- SG 11295 End stop
- SG 10852 Wave 2C roller cord 80 mm

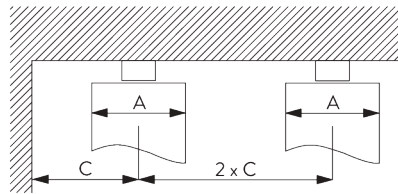
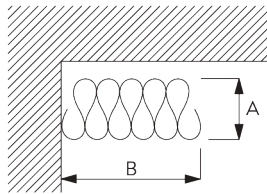
### Optional components:

- SG 6365 Wave hanger
- SG 10845 Wave master carrier single stack 80 mm
- SG 10854 Wave overlap support arm
- SG 10867 Panhead screw M4x16
- SG 10869 Wave 2C roller cord 60 mm (no single stack)
- SG 10887 Wave extension

### Curtain components:

- SG 3582 Hook
- SG 6349 Wave curtain tape
- SG 6363 Wave top hemming tape
- SG 10075 Lead weight 50 gr/m
- SG 10076 Fabric weight

Wave stack depth - 2C roller cord (standard components)



A = Stack depth  
B = Stack size  
C = Min. distance

2C Roller cord SG 10852	Pockets between hooks	Approx. curtain fullness	Stack depth A	Stack size B*	Min distance C
80	6	~2.1	140	210 per metre of track	90
80	7	~2.3	160	210 per metre of track	100

2C Roller cord SG 10869	Pockets between hooks	Approx. curtain fullness	Stack depth A	Stack size B*	Min distance C
60	4	~2.1	100	260 per metre of track	70
60	5	~2.3	120	260 per metre of track	80



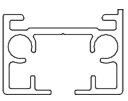
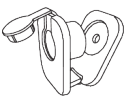
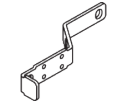
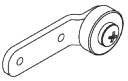

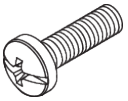

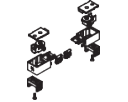
\*Stack size B

- plus 150 mm per curtain

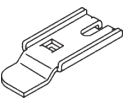

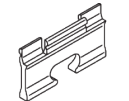


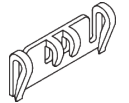
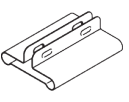

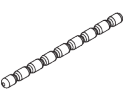
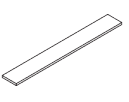
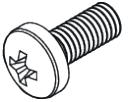
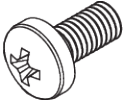
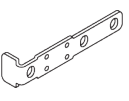
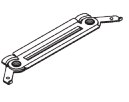


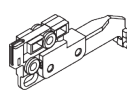
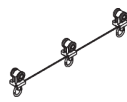
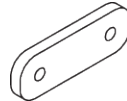
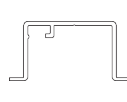
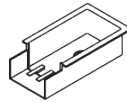
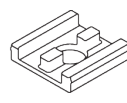
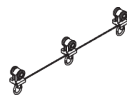
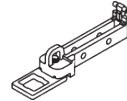
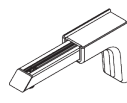
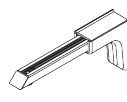
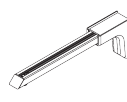
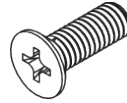
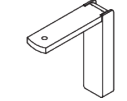
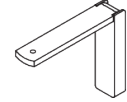
# PARTS

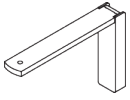
## A. STANDARD PARTS

	<b>SG 3004</b> Clamp
	<b>SG 3090</b> Cord ø 3.5 mm
	<b>SG 3971</b> Profile
	<b>SG 10731</b> Child safety retainer set
	<b>SG 10821</b> Overlap arm
	<b>SG 10826</b> Overlap arm support
	<b>SG 10840</b> 2C roller
	<b>SG 10923</b> Pan head screw Freedriv M4x12
	<b>SG 11314</b> Master carrier
	<b>SG 11315</b> Guide set

## B. OPTIONAL PARTS

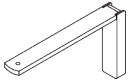
	<b>SG 3041</b> Bracket
	<b>SG 3582</b> Hook
	<b>SG 5118</b> Wedge
	<b>SG 6349</b> Wave curtain tape
	<b>SG 6363</b> Wave top hemming tape
	<b>SG 6365</b> Wave hanger
	<b>SG 7002</b> Profile protector
	<b>SG 10074</b> Countersunk head screw M4x8
	<b>SG 10075</b> Lead weight 50 g/m
	<b>SG 10076</b> Fabric weight
	<b>SG 10407</b> Pan head screw M4x10
	<b>SG 10492</b> Pan head screw M4x8
	<b>SG 10820</b> Overlap arm
	<b>SG 10831</b> Connection bridge

	<b>SG 10845</b> Wave master carrier
	<b>SG 10852</b> Wave 2C roller cord 80 mm
	<b>SG 10854</b> Wave overlap plate
	<b>SG 10862</b> Recess profile
	<b>SG 10864</b> Recess mask
	<b>SG 10865</b> Support plate
	<b>SG 10869</b> Wave 2C roller cord 60 mm
	<b>SG 10887</b> Wave extension
	<b>SG 11154</b> Universal Smart Fix 120 mm
	<b>SG 11155</b> Universal Smart Fix 150 mm
	<b>SG 11156</b> Universal Smart Fix 200 mm
	<b>SG 11158</b> Countersunk head screw M4x12
	<b>SG 11200</b> Smart Fix 60 mm
	<b>SG 11201</b> Smart Fix 80 mm



**SG 11202**

Smart Fix 100 mm



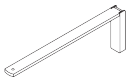
**SG 11203**

Smart Fix 120 mm



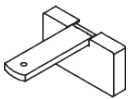
**SG 11204**

Smart Fix 150 mm



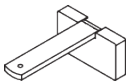
**SG 11205**

Smart Fix 200 mm



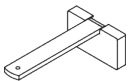
**SG 11210**

Square Smart Fix 60 mm



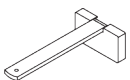
**SG 11211**

Square Smart Fix 80 mm



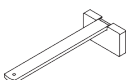
**SG 11212**

Square Smart Fix 100 mm



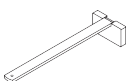
**SG 11213**

Square Smart Fix 120 mm



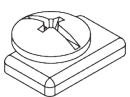
**SG 11214**

Square Smart Fix 150 mm



**SG 11215**

Square Smart Fix 200 mm



**SG 11295**

End stop



