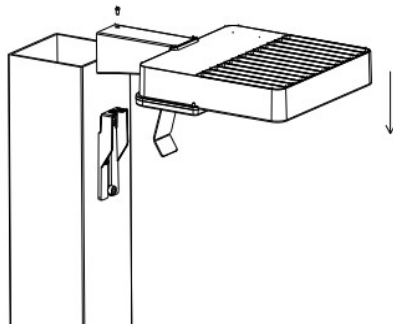


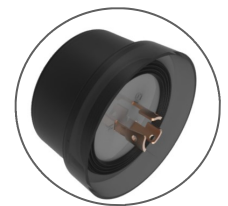
Shoobox LED Area Light/Flood Light/Parking Lot Light



Motion Sensor



Photocell Sensor



Features

- Power Factor: ≥ 0.95
- LED Chip: SMD 3030/3535/5050
- CRI: $R_a \geq 70$
- Dimming: YES/No
- Motion sensor: Y/N
- Daynight sensor: Y/N

Material: Aluminum alloy + PC optics lens

- Standard color: dark bronze/Black
- Working Temperature: $-40^{\circ}\text{F} \sim 122^{\circ}\text{F}$
- Lifespan: > 54000 hours (@ $T_c = 176^{\circ}\text{F}$)
- Total Harmonic Distortion: 15%
- AC180-AC480V ones available

Application

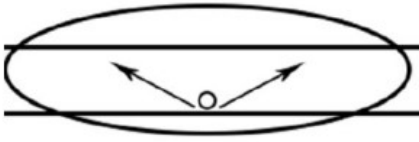
Parking lots , plaza , shopping mall , roadway ,garden ,site & area lighting and general lighting applications.

Ordering Information

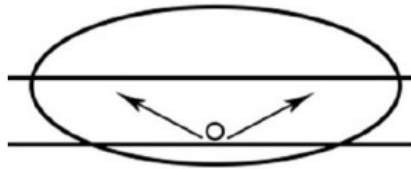
Model	Wattage	Kelvin	LENS	Input Voltage	Sensor	Mount	Finish
YR-PL275	25W	3000K	Type III	AC100-277V	NO	A-Slip Fitter	Bronze
YR-PL345	50W	4000K	Type IV	AC180-480V	Photocell	B2	Black
YR-PL670	80W	5000K	Type V		Motion	C2	White
YR-PL670D	100W	5700K			Photocell +Motion	D2	
	150W					E2	
	200W					F2	
	300W					B	
	400W					C	
	500W					D	
	600W					E	
						F	

Example: YR-PL670-3030-W300-A-Y2-NP-BR(5000K)

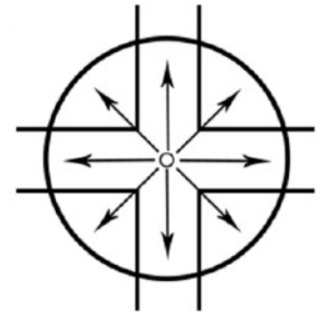
Beam Angle



Type III

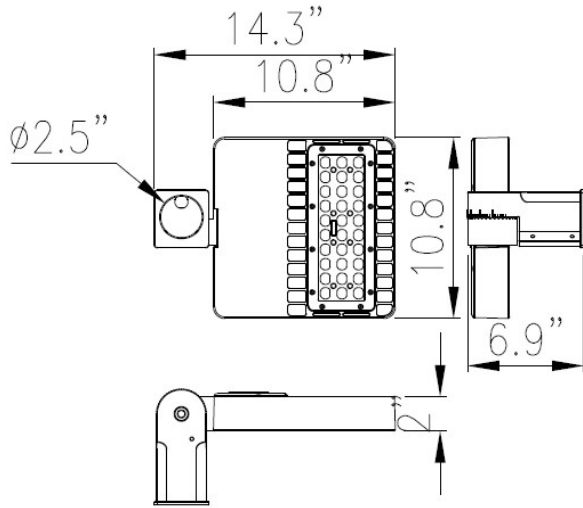


Type IV

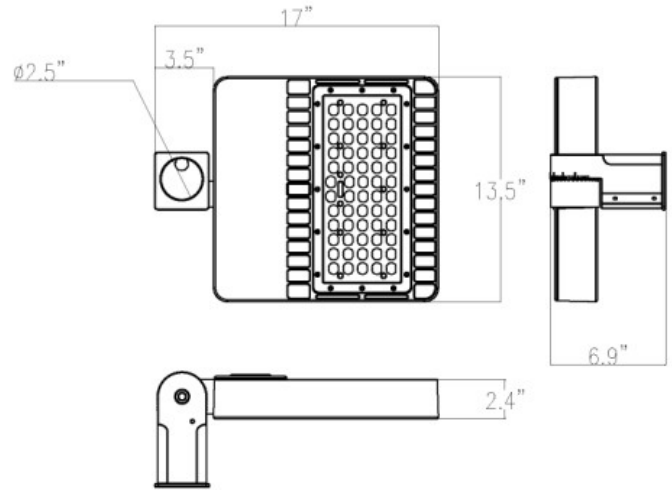


Type V

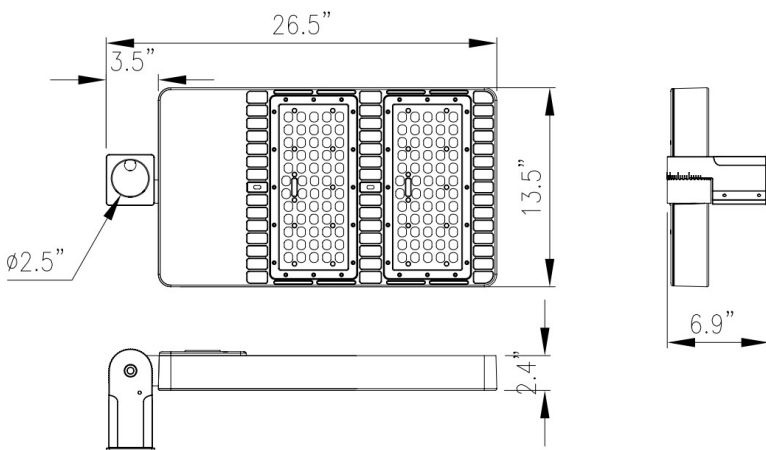
Dimension



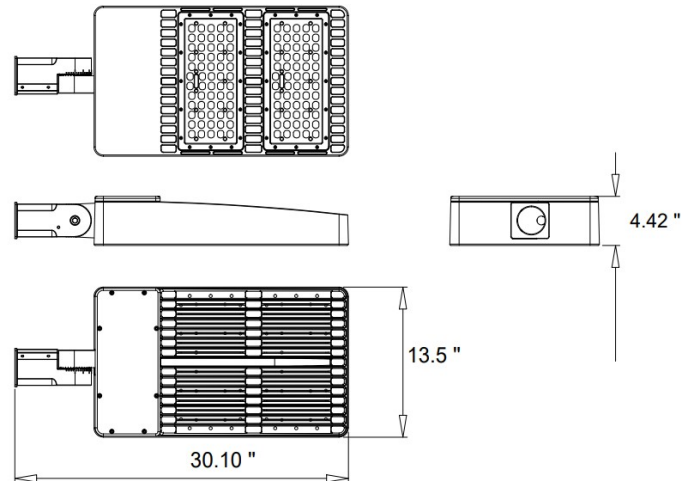
YR-PL275 Series



YR-PL345 Series

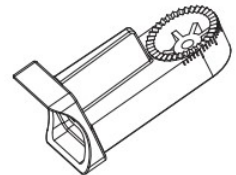
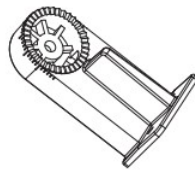
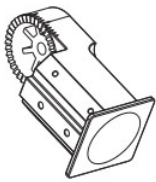
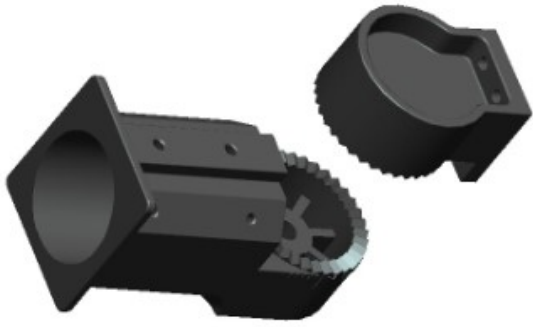


YR-PL670 Series



YR-PL670D Series

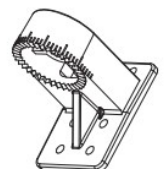
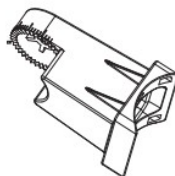
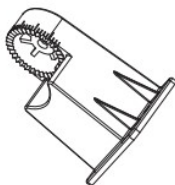
Mount Bracket (Exchange with Slip Fitter Mount easily---Easy for warehousing)



A (Mount for slip fitter)

B2 (Mount for small square pole)

C2 (Mount for small round pole)



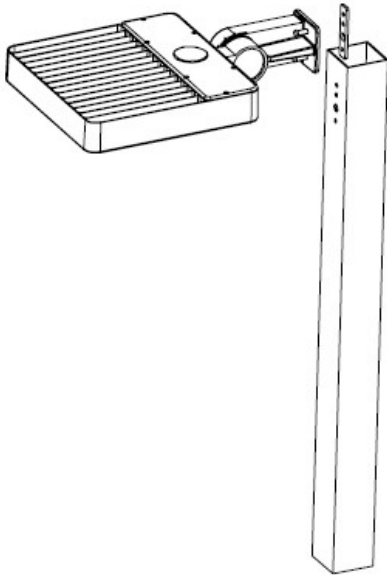
D2 (Mount for large square pole)

E2 (Mount for large round pole)

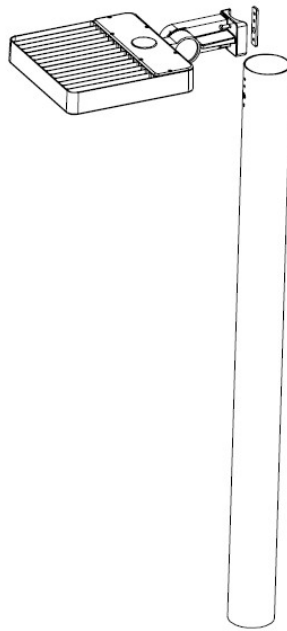
F2 (Mount for wall)

Installation on different kinds of places/poles

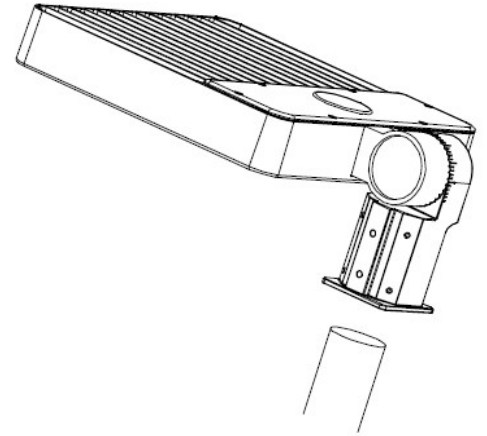
Square pole (B2 Mount for 3''/4''/5'' Square Pole)



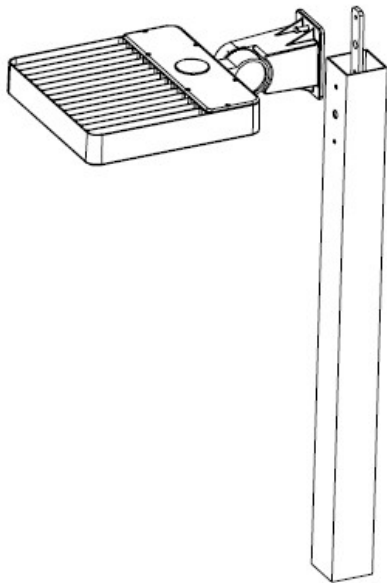
Round pole (C2 Mount for 3''/4'' 5'' Round Pole)



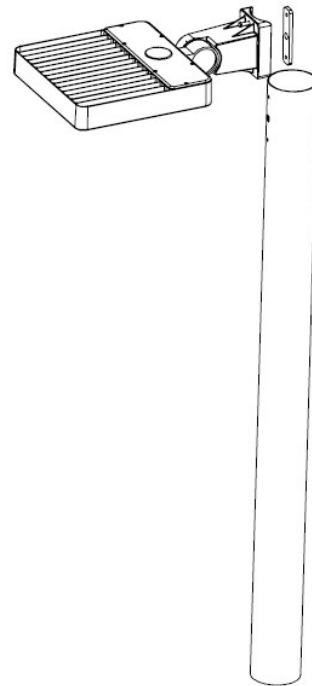
Slip Fitter Mount (A Mount)



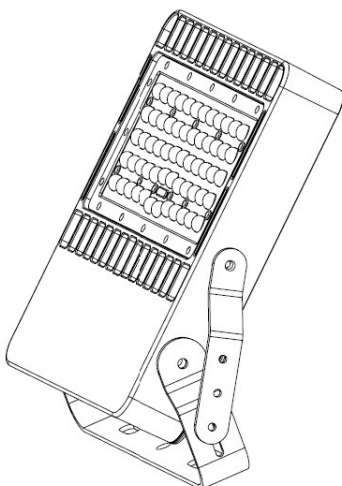
Square pole (D2 Mount for 4''/5''/6'' Square Pole)



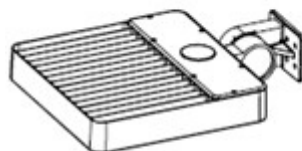
Round pole (E2 Mount for 4''/5''/6'' round pole)



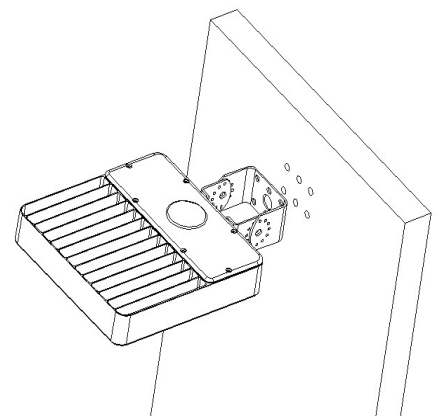
U Bracket mount-Flood light



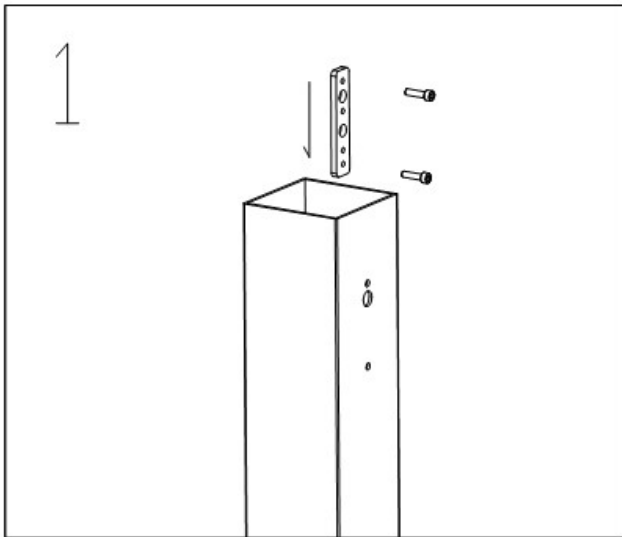
Wall mount-Adjustable (F2 Mount)



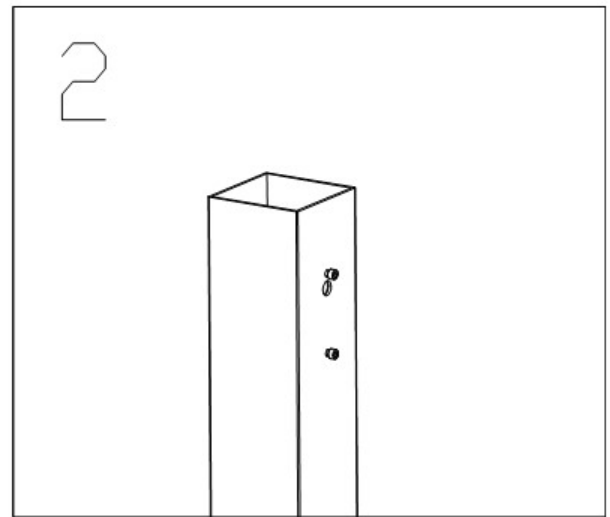
Trunion Mount (F Type)



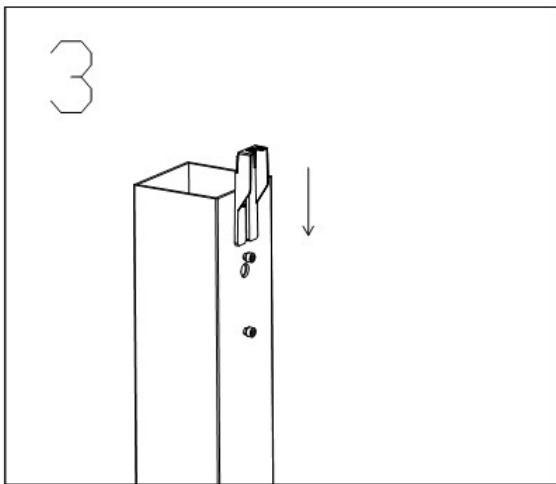
Single Installation---Only One Person in need for installation



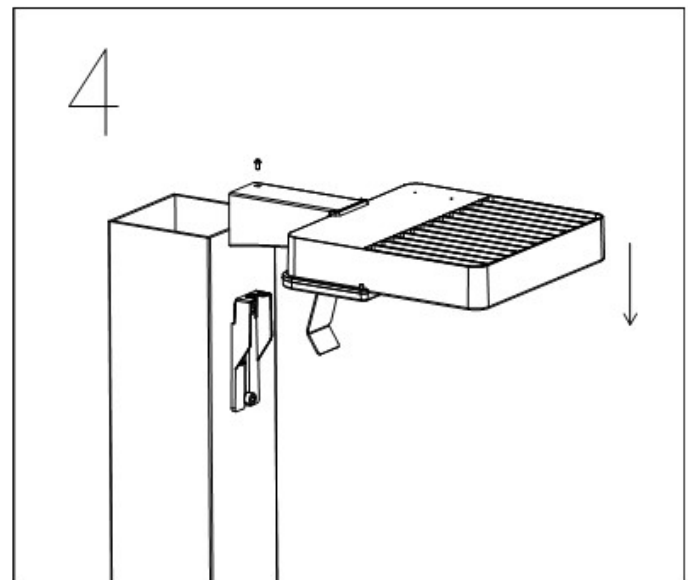
Use screws to fix the mount plate on the pole



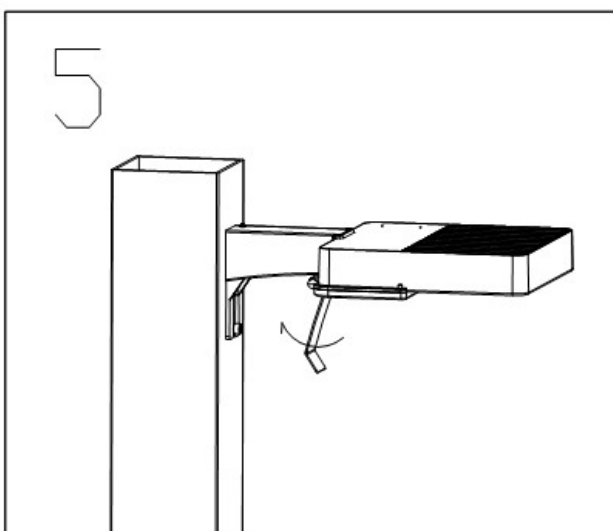
Keep the screws distance according to your requirement



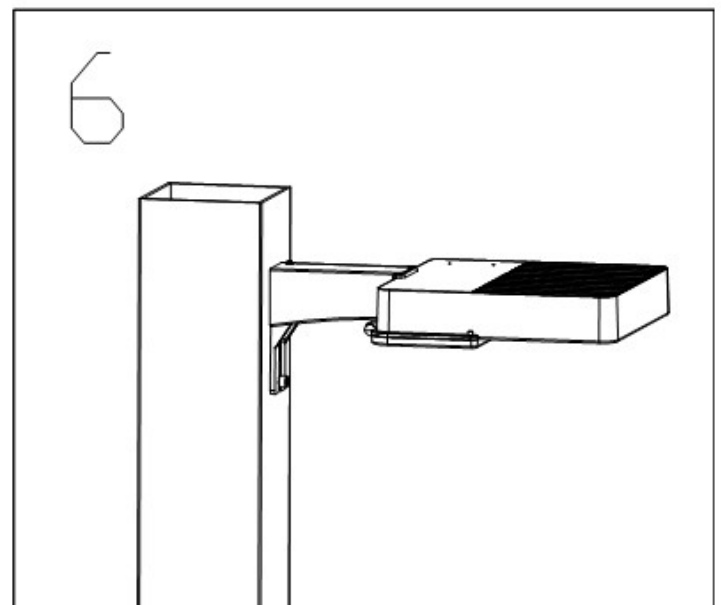
Insert the mount accessory into the screws, then fix the screws



Hang Up the fixture into the mount accessory



Move and close the wire box after wiring finished



Finished, easy for repairing if in need