



130LM/W

FEATURES:

- Full polycarbonate lens cover
- Aluminum housing and heat sink fins
- Extremely light weight
- 1-10V Dimmable
- Enclosed wiring and driver compartment
- Aircraft cable hangers provided
- 5 Years Warranty



CE RoHS



PRODUCT DESCRIPTION:

The Commercial Linear High Bay LED fixtures are designed for 12-foot and higher ceiling applications in warehouses, gymnasiums, manufacturing, and other general task areas. With an enclosed power supply housing and covered optics, these units are designed for durability in difficult installation locations. This is an excellent option for converting conventional metal halide high bay fixtures, or fluorescent fixtures with LED. This product accepts 100-347 volt input and comes with aircraft cable hangers.

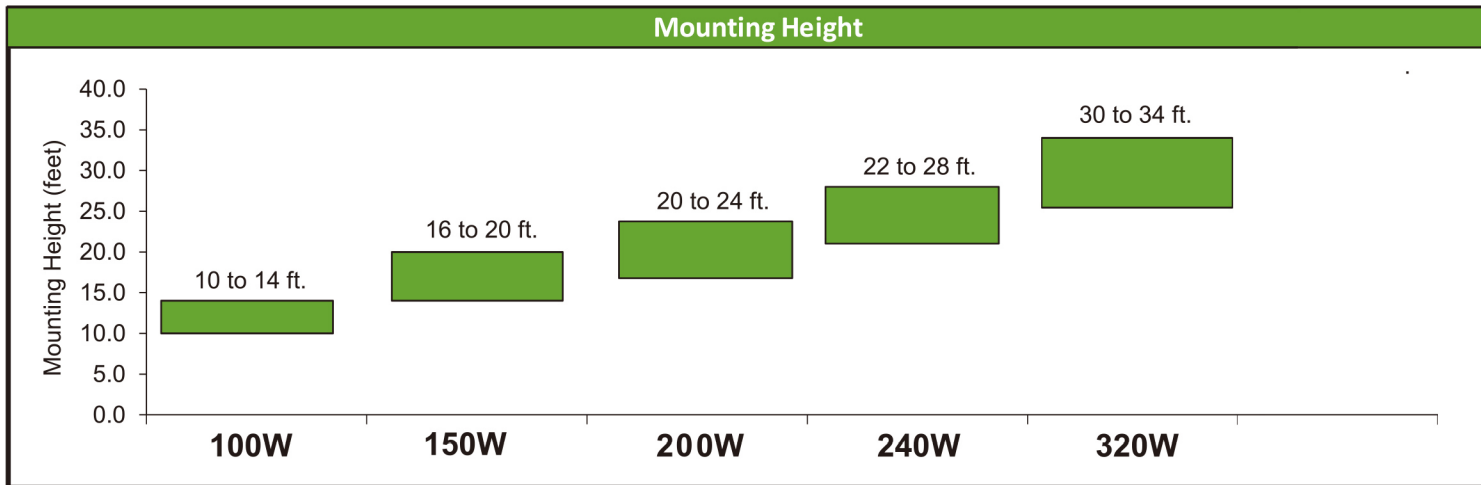
HIGHLIGHTS:

1. Energy efficient operation of 130lm/W delivers significant light output at the lowest power use
2. Compact design with maximum heat dissipation allows for versatility in installation locations
3. Meanwell driver with Epistar 2835 LED chipsets provides quality and reliability
4. Dimmable driver for use with daylight harvesting / motion sensors / Advanced Lighting Controls

APPLICATIONS:

- Warehouse
- Manufacturing
- Sports Facilities
- Retail
- Cold Storage
- Transportation
- Agriculture
- Office/Classroom

SELECTION GUIDE:



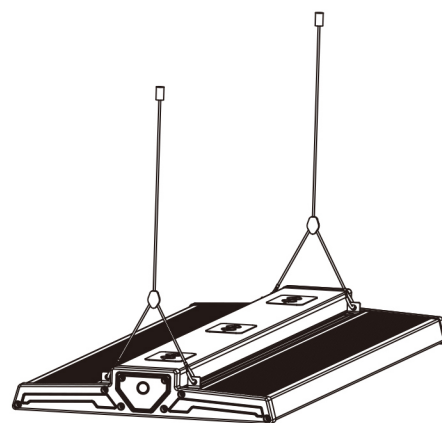
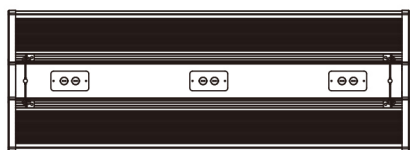
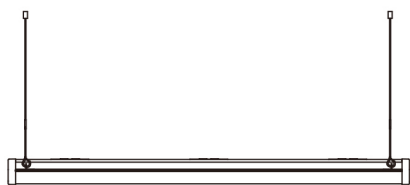
TECHNICAL DATA:

Model No.	Power	Lumen	Input Voltage	CRI	IP Grade	Dimensions(mm)
CH-LH-W150-S1	150W	19500lm	AC100-347V	>80	IP40	1200x205x48
CH-LH-W150-S1	150W	19500lm	AC100-277V	>80	IP40	625x325x48
CH-LH-W150-S1	150W	19500lm	AC100-347V	>80	IP40	625x325x48

PACKAGE DETAILS:

Model No.	Pack Quantity	Net Weight	Volume Weight	CTN Size
CH-LH-W150-S1	1 PCS	4.5 KG	5.5 KG	127X26.5X12MM
CH-LH-W150-S1	1 PCS	4.5 KG	5.5 KG	67X38X12MM

Installation Notes

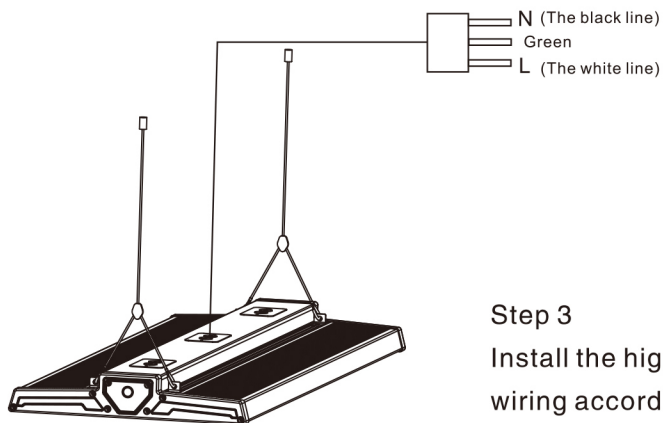


Step 1

Take out the hanging ropes and adjust them to right and equal length

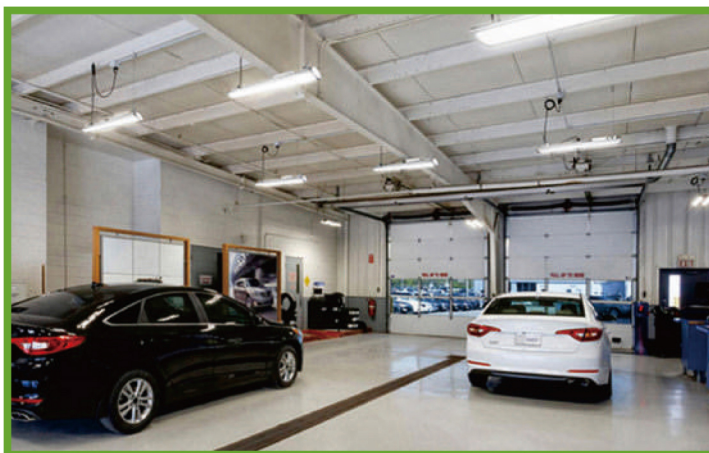
Step 2

Connect ropes with high bay properly and make sure the high bay is hanging straightly



Step 3

Install the high bay to needed position solidly and finish wiring according to instruction



Options/Accessories

Occupancy Sensor/Advanced Lighting Controls