



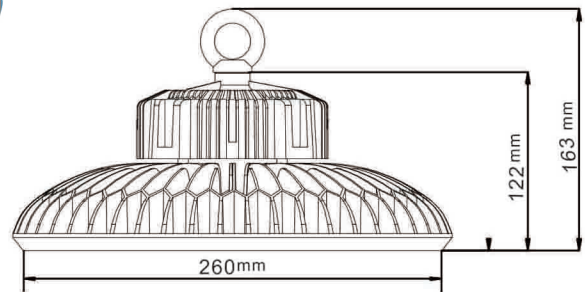
5 Years Warranty

Features

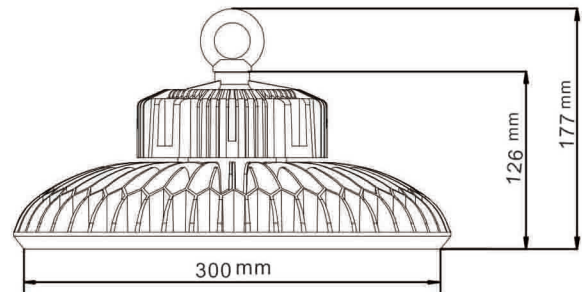
- Integrated heat sink design, die-casting aluminum.
- Ra>80, LM80 standard, 150lm/w.
- Installation: Hook hanging.
- Certificate: ETL, DLC, SAA, CE, RoHS.
- IP65 waterproof.
- Application such as workshop, warehouse, toll station, supermarket, exhibition hall, gymnasium .



Dimension



100/150W



200/240W

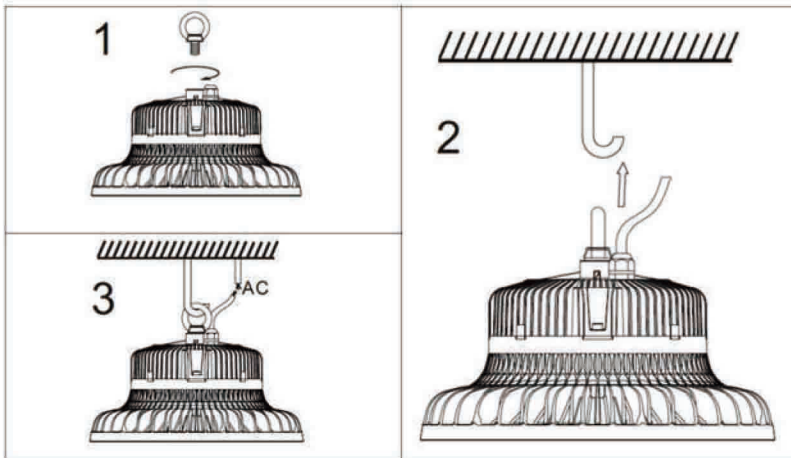
CCT & Wattage Selectable

Model	3 Wattage Selectable			2 CCT Selectable
	A	B	C	
150W	150W	100W	80W	6000K/5000K/4000K/3000K
200W	200W	150W	100W	
240W	240W	200W	150W	

Ordering information

Model	Power	Size	Lumen	Beam Angle	CCT	Voltage	Power Factor	CRI	Net Weight
CH-UFO-W150-S6	150W	260x260x163MM	22500LM	60°/90°/120°	2700/3000/4000/5000/>6000K	AC100-277V AC100-347V	>0.95	≥80	3.1kg
CH-UFO-W200-S6	200W	300x300x177MM	30000LM	60°/90°/120°	2700/3000/4000/5000/>6000K		>0.95	≥80	4.0 kg
CH-UFO-W240-S6	240W	300x300x177MM	36000LM	60°/90°/120°	2700/3000/4000/5000/>6000K		>0.95	≥80	4.0kg

Installation



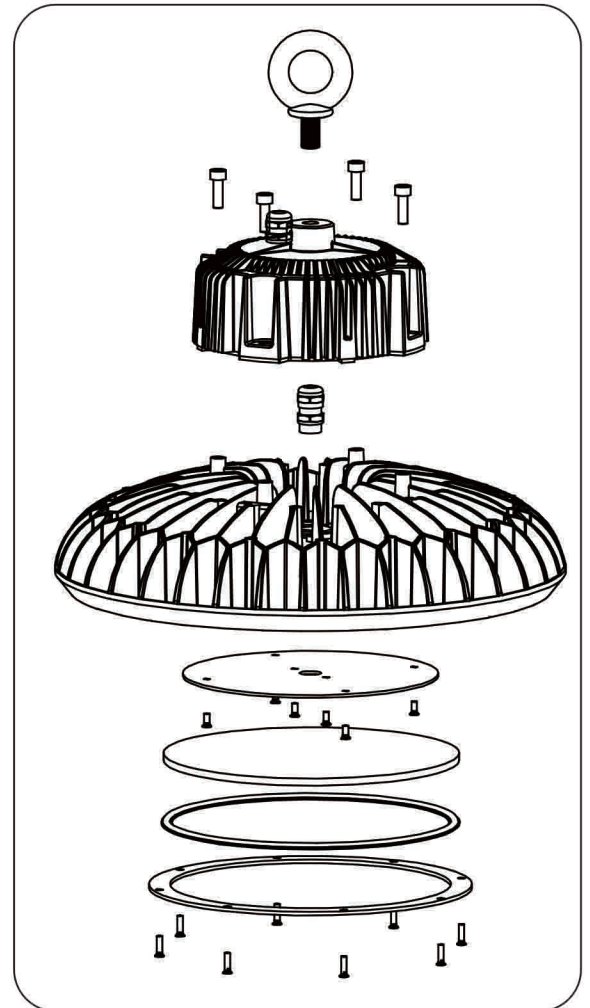
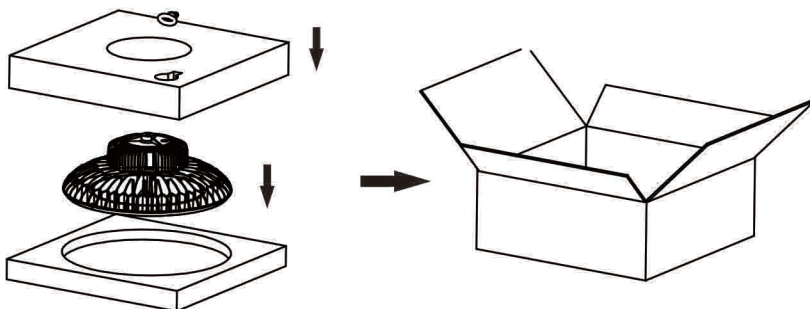
Replacement Table

	
UFO Highbay Light	Metal Hatlide
100W	320W
150W	400W
200W	600W
240W	800W

Parameter	Rating
Heat Sink Temp	65°C
Operating Temp	-20 ~+ 45°C

Packing Specification

Model	Pack Quantity	Net Weight	Volume Weight	CTN Size
CH-UFO-W150-S6	1PCS	3.1KG	4.0KG	290X290X150MM
CH-UFO-W200-S6	1PCS	4.0KG	5.3KG	350X350X150MM
CH-UFO-W240-S6	1PCS	4.0KG	5.3KG	350X350X150MM





Factory



Stadium



Supermarket



Warehouse