



CONSTANT VOLTAGE TRIAC DIMMABLE DRIVER



CONSTANT VOLTAGE TRIAC DIMMABLE DRIVER

DC 12V/24V 15/24W series



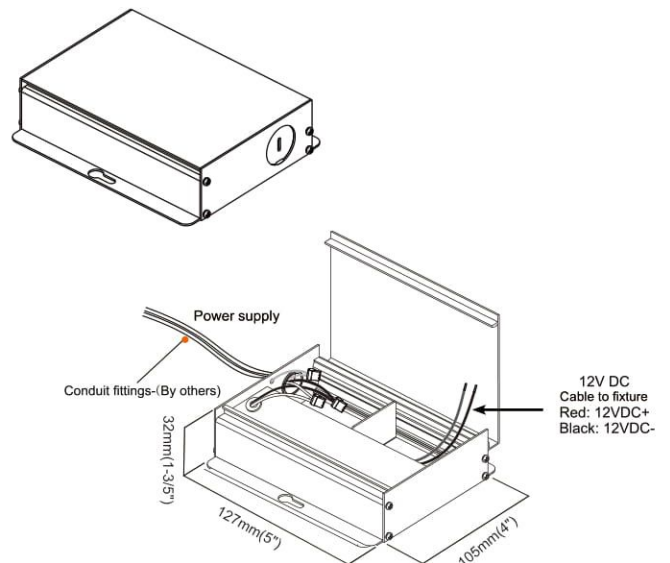
Ordering Guide

Catalog No.	Wattage	Input Voltage	Output Voltage	Rated Current
LS-LED-15W-12VDC-DRIVER	15W	108-132VAC	12VDC	1.25A
LS-LED-15W-24VDC-DRIVER	15W	108-132VAC	24VDC	0.625A
LS-LED-24W-12VDC-DRIVER	24W	108-132VAC	12VDC	2A
LS-LED-24W-24VDC-DRIVER	24W	108-132VAC	24VDC	1A

■ Features:

- Output constant voltage
- AC input: 108-132VAC
- High efficiency :up to 80%
- Protection: short circuit / Over voltage.
- Integrated junction box for hard wire installation.
- Fully isolated metal case - Cooling by air convection.
- 5 years warranty.
- ETL certification.
- Strong compatibility, flicker-free dimming
- Suitable for LED lighting and moving sign applications and others
- Suitable for dry or damp location use, IP20

■ Dimensions



CONSTANT VOLTAGE TRIAC DIMMABLE DRIVER

DC 12V/24V 48W /60W/96W series



12/24
VOLT

DAMP
LOCATION

CLASS
2

5 Yr.
WARRANTY

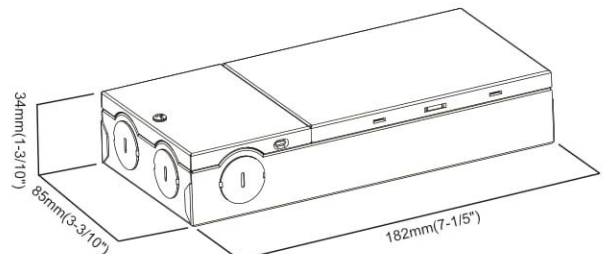
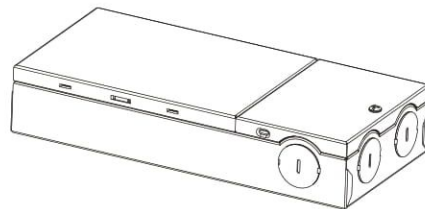
Ordering Guide

Catalog No.	Wattage	Input Voltage	Output Voltage	Rated Current
LS-LED-48W-12VDC-DRIVER	48W	108-132VAC	12VDC	4A
LS-LED-48W-24VDC-DRIVER	48W	108-132VAC	24VDC	2A
LS-LED-60W-12VDC-DRIVER	60W	108-132VAC	12VDC	5A
LS-LED-60W-24VDC-DRIVER	60W	108-132VAC	24VDC	2.5A
LS-LED-96W-12VDC-DRIVER	96W	108-132VAC	12VDC	8A
LS-LED-96W-24VDC-DRIVER	96W	108-132VAC	24VDC	4A

■ Features:

- Output constant voltage
- AC input: 108-132 VAC
- High efficiency :up to 85%
- Protection: short circuit / Over voltage.
- Integrated junction box for hard wire installation.
- Fully isolated metal case - Cooling by air convection.
- 5 years warranty.
- ETL certification.
- Strong compatibility, flicker-free dimming
- Suitable for LED lighting and moving sign applications and others
- Suitable for dry or damp location use, IP20

■ Dimensions



CONSTANT VOLTAGE TRIAC DIMMABLE DRIVER

DC 12V/24V 15W/24W/50W series



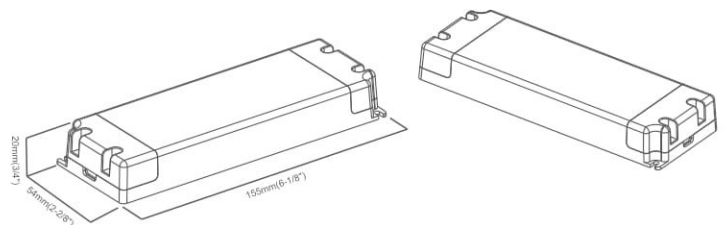
Ordering Guide

Catalog No.	Wattage	Input Voltage	Output Voltage	Rated Current
LS-LED-15W-12VDC-DRIVER-PC	15W	108-132VAC	12VDC	1.2A
LS-LED-15W-24VDC-DRIVER-PC	15W	108-132VAC	24VDC	0.625A
LS-LED-24W-12VDC-DRIVER-PC	24W	108-132VAC	12VDC	2A
LS-LED-24W-24VDC-DRIVER-PC	24W	108-132VAC	24VDC	1A
LS-LED-50W-12VDC-DRIVER-PC	50W	108-132VAC	12VDC	4.16A
LS-LED-50W-24VDC-DRIVER-PC	50W	108-132VAC	24VDC	2.08A

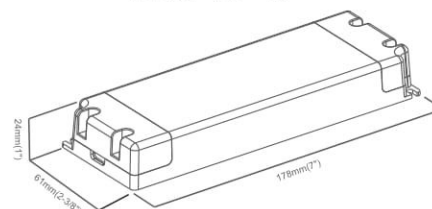
■ Features:

- Output constant voltage
- AC input: 108-132 VAC
- High efficiency :up to 83%
- Protection: short circuit / Over voltage.
- Fully isolated plastic box.
- 5 years warranty.
- ETL certification, Class 2.
- Strong compatibility, flicker-free dimming
- Suitable for LED lighting and moving sign applications and others
- Suitable for dry or damp location use, IP20

■ Dimensions



HBL015-120-**-DP
HBL024-120-**-DP



HBL050-120-**-DP

CONSTANT VOLTAGE TRIAC DIMMABLE DRIVER

DC 12V/24V 60W /75W series



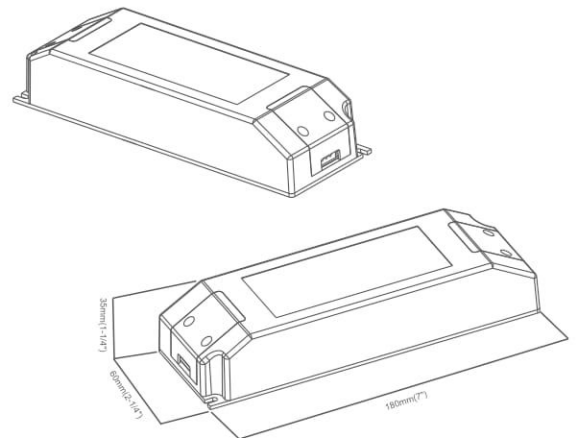
Ordering Guide

Catalog No.	Wattage	Input Voltage	Output Voltage	Rated Current
LS-LED-60W-12VDC-DRIVER-PC	60W	108-132VAC	12VDC	5A
LS-LED-60W-24VDC-DRIVER-PC	60W	108-132VAC	24VDC	2.5A
LS-LED-75W-12VDC-DRIVER-PC	75W	108-132VAC	12VDC	6.25A
LS-LED-75W-24VDC-DRIVER-PC	75W	108-132VAC	24VDC	3.125A

■ Features:

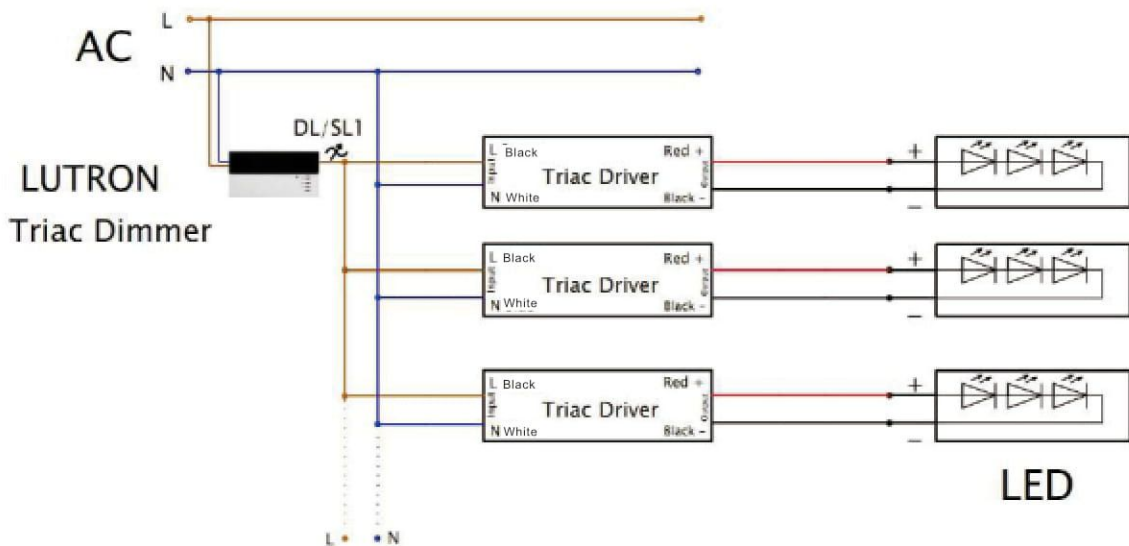
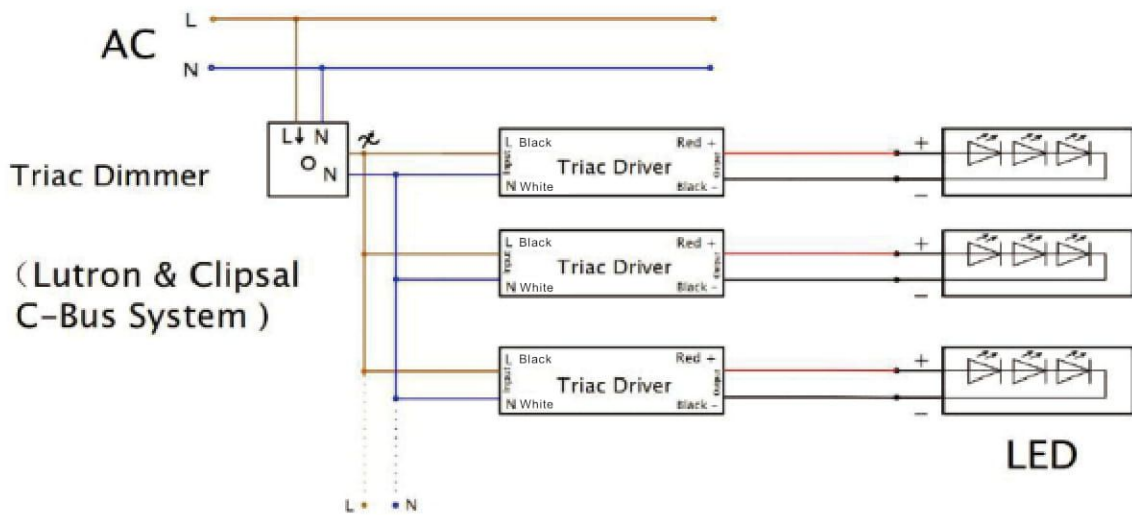
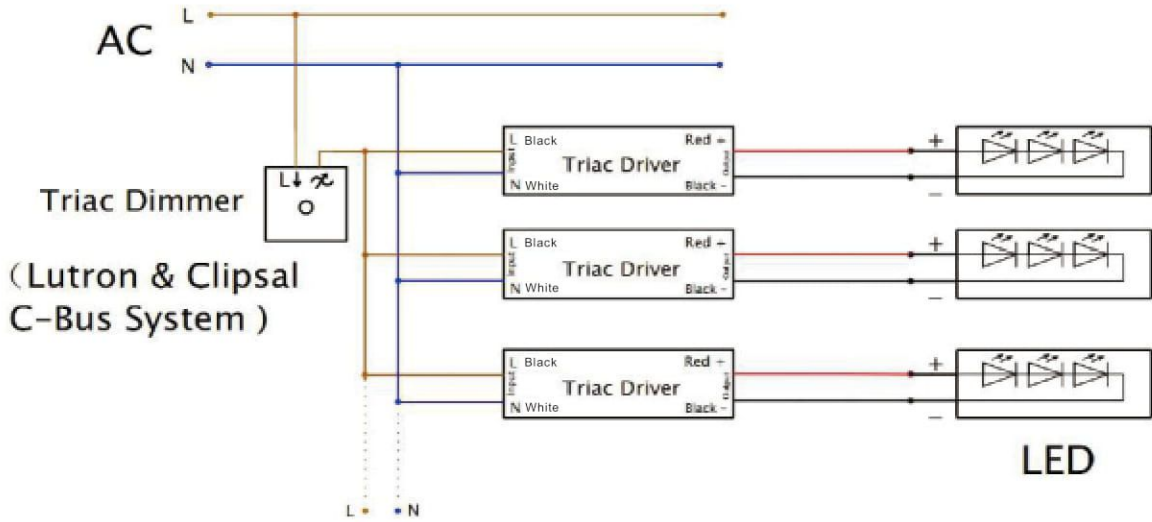
- Output constant voltage
- AC input: 108-132 VAC
- High efficiency :up to 85%
- Protection: short circuit / Over voltage.
- Fully isolated plastic box.
- 5 years warranty.
- ETL certification, Class 2.
- Strong compatibility, flicker-free dimming
- Suitable for LED lighting and moving sign applications and others
- Suitable for dry or damp location use, IP20

■ Dimensions



HBL060-120-**DP/
HBL075-120-**DP

■ Connecting Diagram



Instructions:

- 1) This driver should be installed by a qualified professional.
- 2) Please make sure the transformer is installed with adequate ventilation around it to allow for heat dissipation.
- 3) Ensure that wiring is correct before testing in order to avoid light and power supply damage.

Dimmer Compatible Chart

Brand	Series	Model	Load	Dimmability
Lutron	Ariadni	AYCL-153P	150W	10%-100%
	Diva	DV- 600PR	600W	1%-100%
	Diva	DVCL-153P	150W	10%-100%
	Maestro	MACL-153MH	600W	10%-100%
	Maestro Wireless	MRF2-6CL	150W	10%-100%
	Rotary	D-600P	600W	10%-100%
	Electronic(ELV)	NTELV-300P	600W	10%-100%
	Skylark	S-600P	600W	10%-100%
	Skylark Contour	CT- 600P	600W	10%-100%
	Skylark Contour	CTCL-153P	150W	1%-100%
	Toggle	TG-600P	600W	10%-100%
Leviton	Toggle	TGCL-153P	150W	10%-100%
	Sureslide	6633	600W	10%-100%
	Sureslide Decora	6674	600W	10%-100%
	Trimatron	6602	600W	10%-100%
Legrand	ILLVMATECH	IPL06	600W	1%-100%
	Adorne	ADTP703TU	700W	10%-100%
Cooper	Harmony	H703PTW	700W	10%-100%
	Aspire	9540	1000W	10%-100%
	Devine	DAL06P	300W	10%-100%