

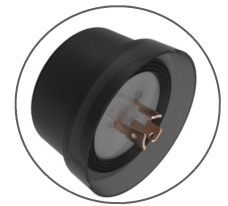
# Slim LED Shoebox Area Light



## Motion Sensor



## Photocell Sensor



## Features

- Power Factor:  $\geq 0.95$
- LED Chip: SMD 3030/3535/5050
- CRI:  $R_a \geq 75$
- Dimming: YES/No
- Motion sensor: Y/N
- Daynight sensor: Y/N

Material: Aluminum alloy + PC optics lens

- Standard color: dark bronze/Black
- Working Temperature:  $-40^{\circ}\text{F} \sim 122^{\circ}\text{F}$
- Lifespan:  $> 54000$  hours (@ $T_c = 176^{\circ}\text{F}$ )
- Total Harmonic Distortion: 15%
- AC180-AC480V ones available

## Application

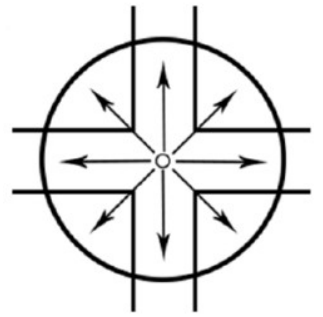
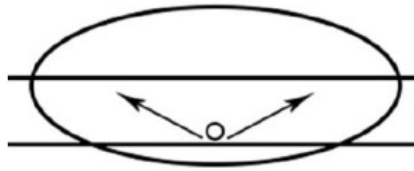
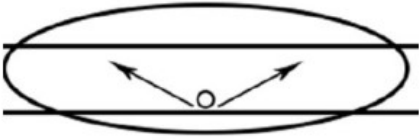
Parking lots , plaza , shopping mall , roadway ,garden ,site & area lighting and general lighting applications.

## Ordering Information

Model	Wattage	Kelvin	LENS	Input Voltage	Sensor	Mount	Finish
YR-PL305	100W	3000K	Type III	AC100-277V	NO	A-Slip Fitter	Bronze
YR-PL415	150W	4000K	Type IV	AC180-480V	Photocell	B2	Black
	200W	5000K	Type V		Motion	C2	White
	300W	5700K			Photocell +Motion	D2	
	400W					E2	
						F2	
						B	
						C	
						D	
						E	
						F	

Example: YR-PL305-W150-A-6V-NP-BR(5000K)

## Beam Angle



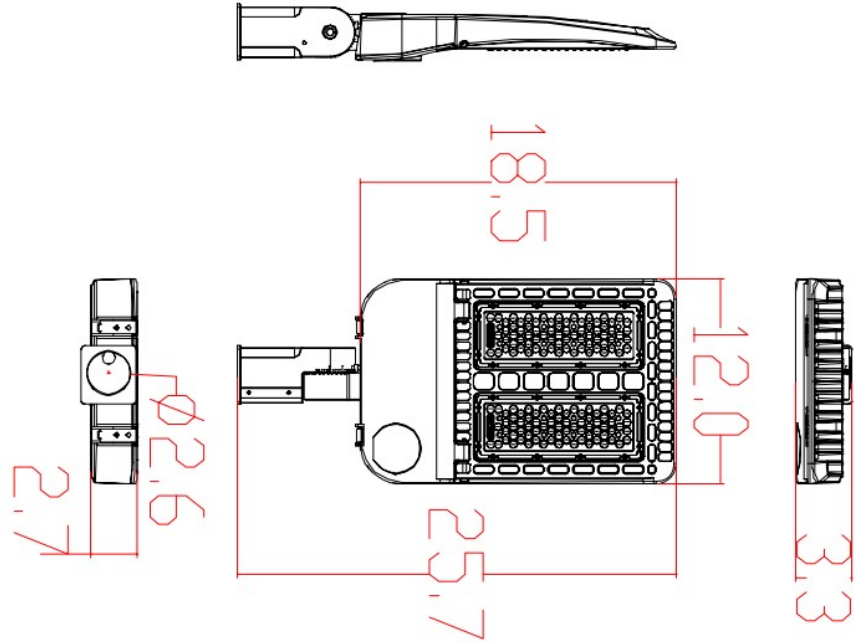
### Type III

### Type IV

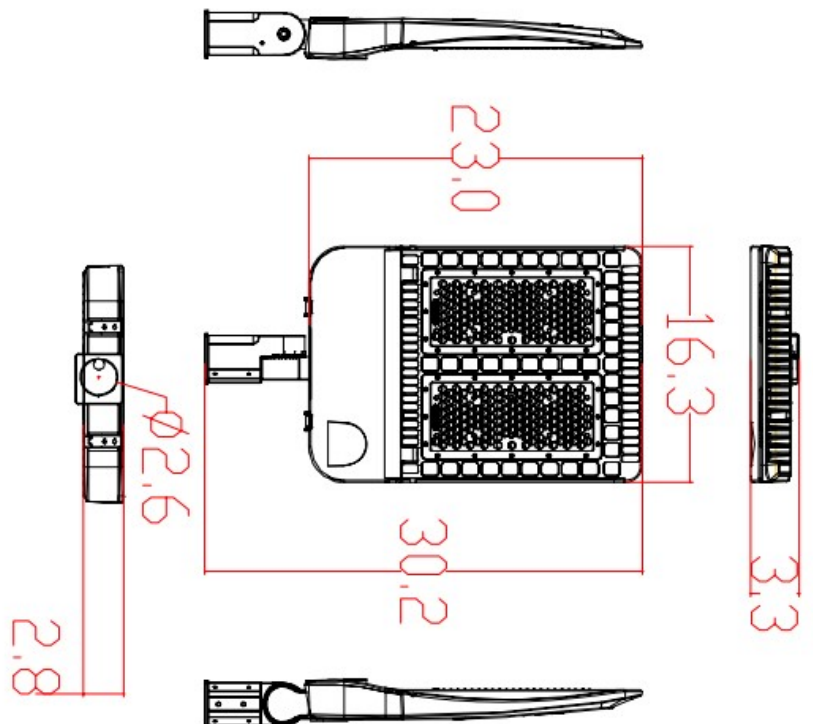
### Type V

## Dimension

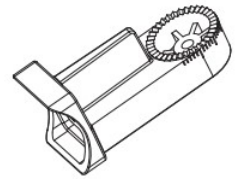
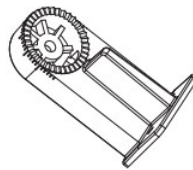
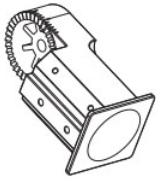
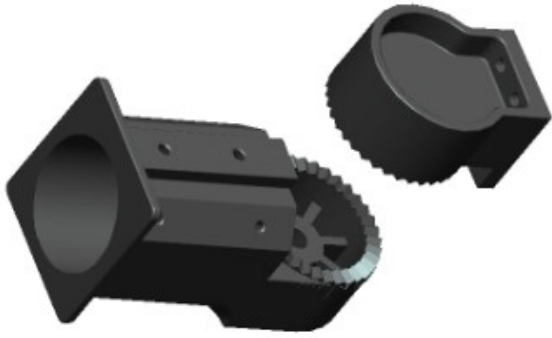
### YR-PL305 Series



### YR-PL415 Series



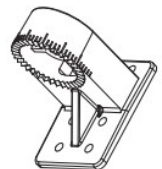
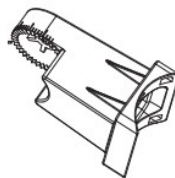
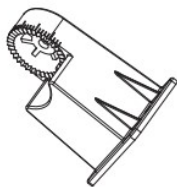
Mount Bracket (Exchange with Slip Fitter Mount easily---Easy for warehousing)



A (Mount for slip fitter)

B2 (Mount for small square pole)

C2 (Mount for small round pole)



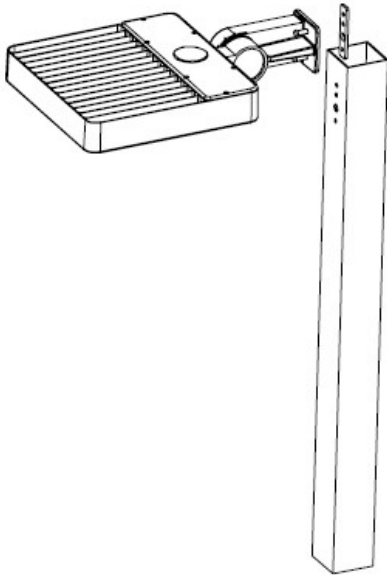
D2 (Mount for large square pole)

E2 (Mount for large round pole)

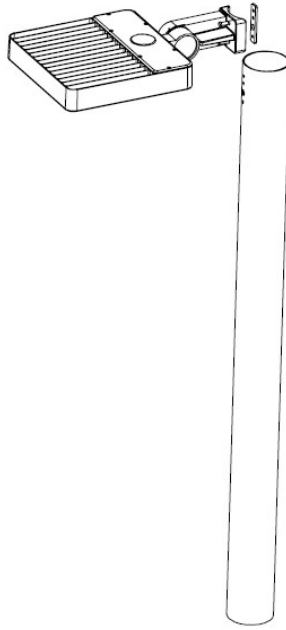
F2 (Mount for wall)

## Installation on different kinds of places/poles

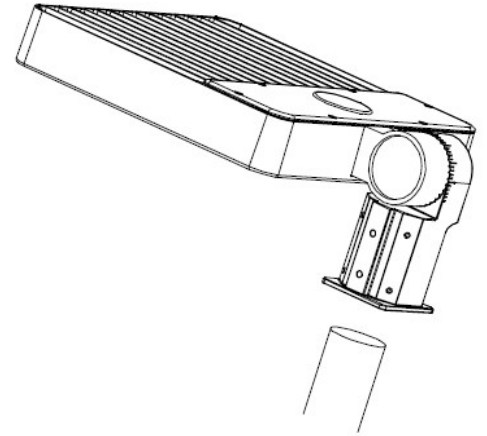
**Square pole (B2 Mount for 3''/4''/5'' Square Pole)**



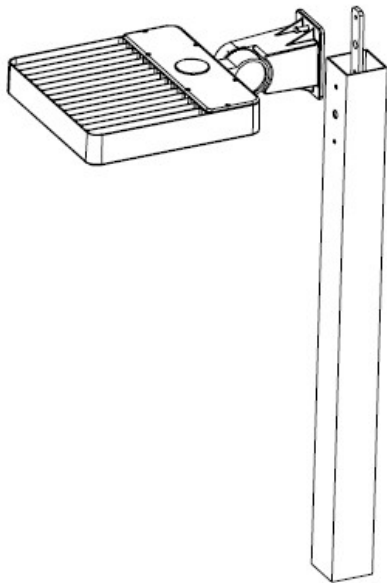
**Round pole (C2 Mount for 3''/4'' 5'' Round Pole)**



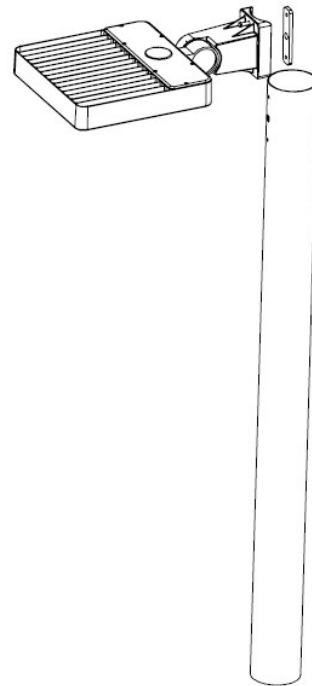
**Slip Fitter Mount (A Mount)**



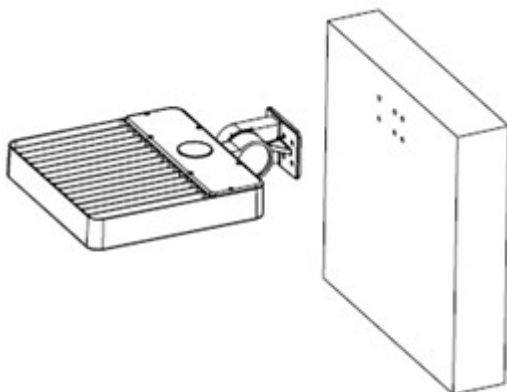
**Square pole (D2 Mount for 4''/5''/6'' Square Pole)**



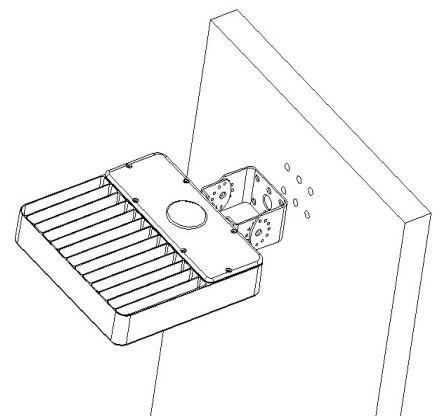
**Round pole (E2 Mount for 4''/5''/6'' round pole)**



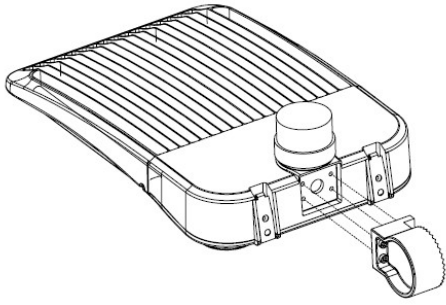
**Wall mount-Adjustable (F2 Mount)**



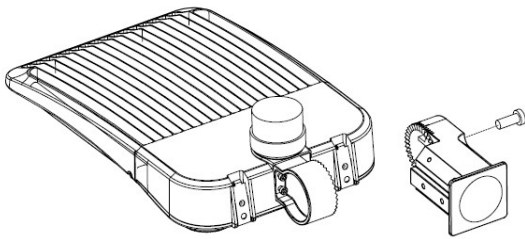
**Trunion Mount (F Type)**



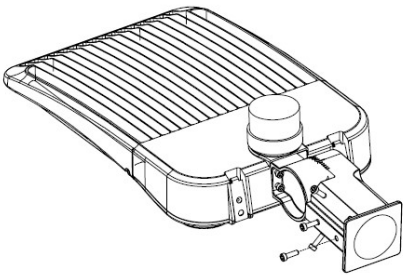
## Slip Fitter ----Installation Guide---Example



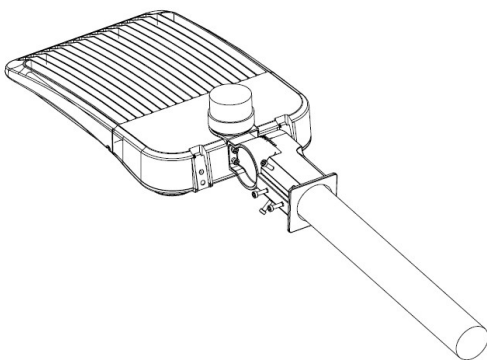
(1) Fix the base part to the housing using 4 pcs bolts and washers.



(2) Use Slip Fitter A mount/B2 /C2/D2/D2/F2 Mount to fix the base part with screws.



(3) Finish the fixture with mounting arms, and can exchange easily if installed in different kinds of poles.



(4) Install the fixture on a pole of 2 3/8" diameter ones. 3" Diameters ones also available for choice