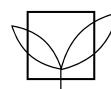
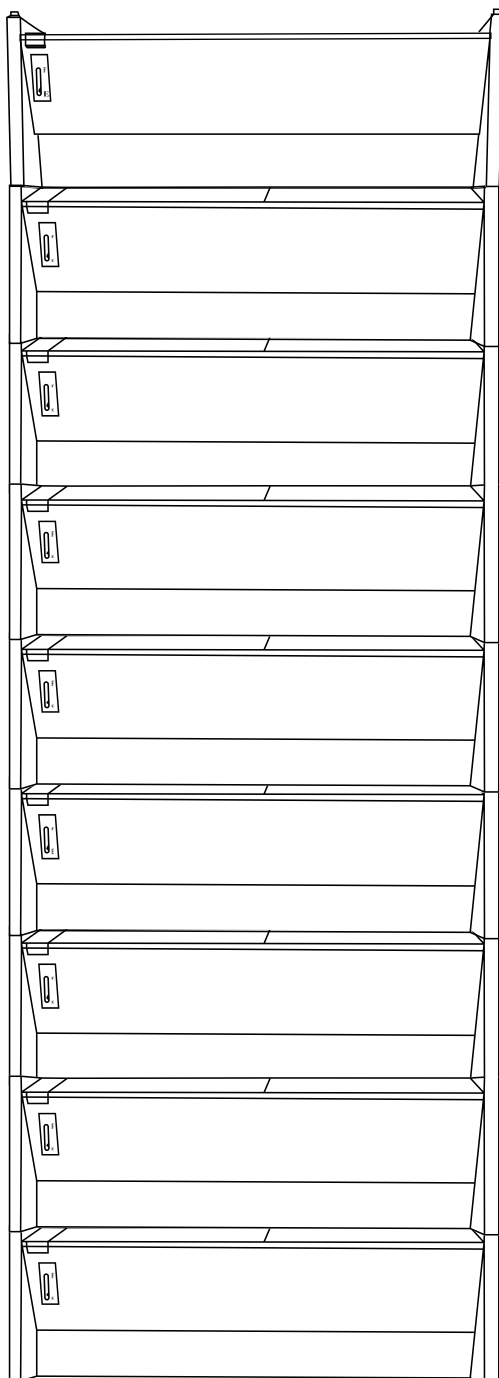


Building and planting guide

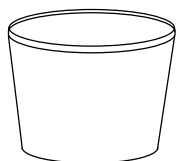
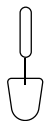
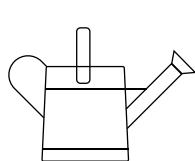
# Sanctuary



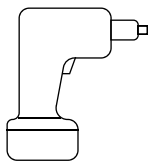
GARDEN  
IN A BOX

# Here are the things you need before you start.

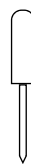
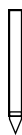
## What you need.



15L container



Drill



Recommended by the manufacturer

**x18 x18**

6.0mm A2 stainless steel Multipurpose  
Ultrascrew PZ  
6.0mm Fischer SX Nylon Wall Plugs

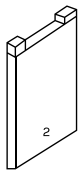
## In your box.



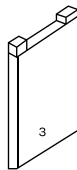
x36



Compost



x9



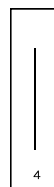
x9



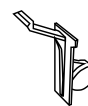
x9

x18

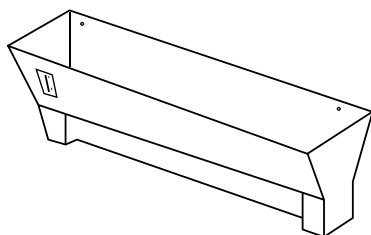
Black felt



x18



x9



x9



x9



x9



x9

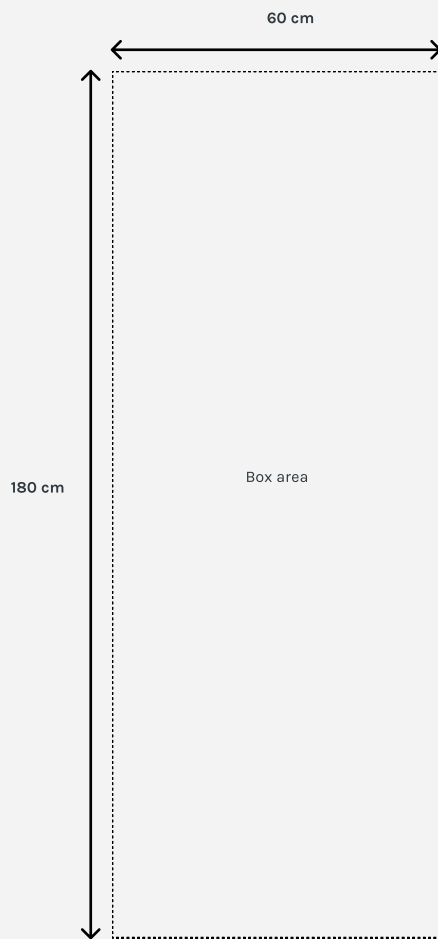


x32



x3

## Measure and prepare.

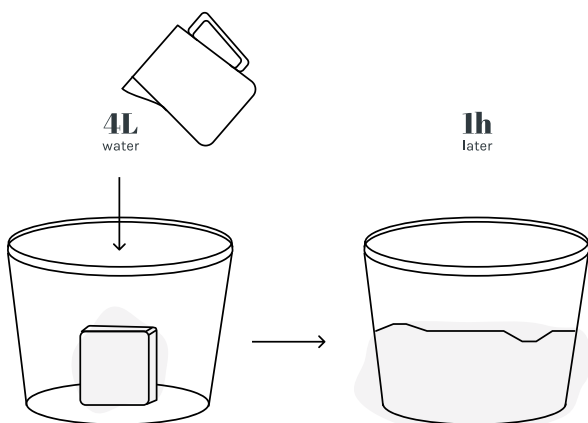


Ensure the surface you are going to screw the boxes onto is level and you've measured and know that it will fit within the space you've chose.

### CAUTION

Please do not place the box too close to a radiator and ensure that there are water pipes, or electric cables running behind where you are planning to drill

## Make your compost.



Set off the super expanding compost , you need to add 4 Litres of water per block of compost. If you're using a smaller bucket you may need to do this one at a time. This soil will swell up quite a lot , to 15 Litres.

### TIP

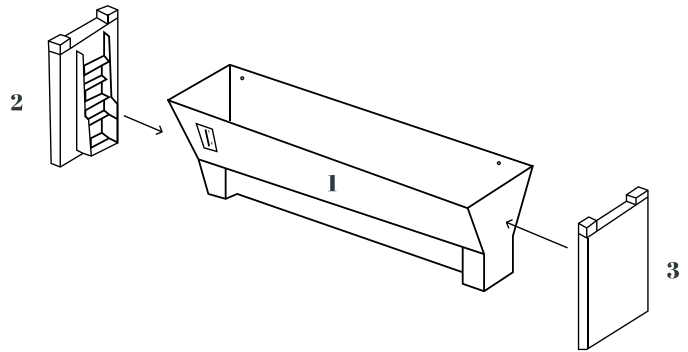
If you've not got a bucket big enough then you could use a heavy duty rubble sacks (with no holes).

# Build a box.

1

**Start by putting the sides on the troughs.**

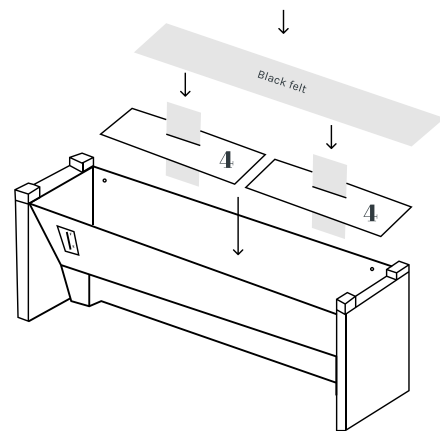
Clip the sides (2) and (3) to the trough (1) by aligning the top first and clicking in the bottom.



2

**Feed the smaller felt through the slots on the shelves.**

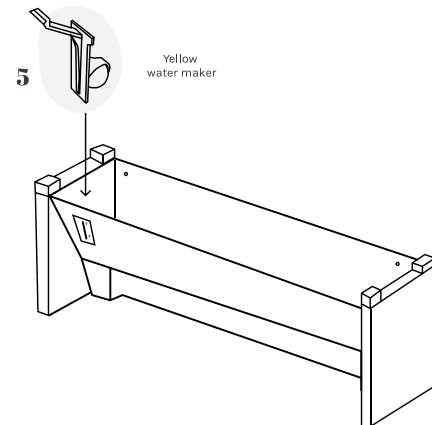
Then place both the shelves inside the trough, making sure the slots are at the back. Now overlay the longer felt piece on the shelf.



3

**Slide in the yellow polystyrene float.**

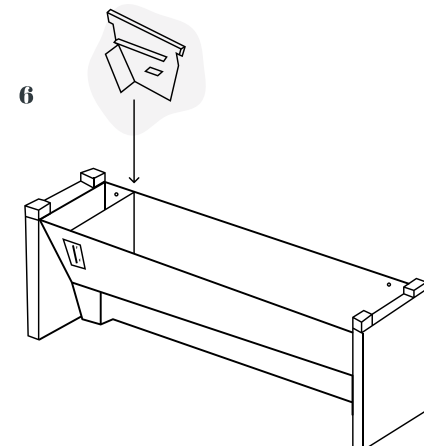
Slot it into the grooves on the left hand side of the trough in the bottom. You will now see the yellow arrow on the water indicator once in.



4

**Slot in your divider plate.**

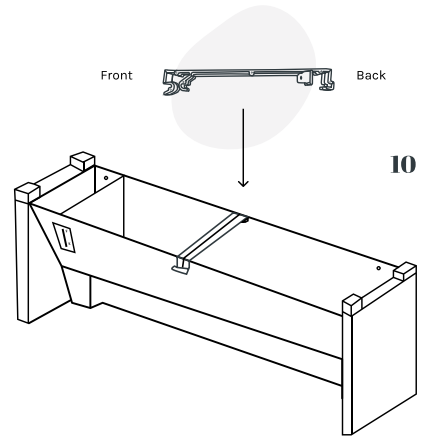
This divider plate just slides in next to the water indicator area. The large flat end should sit against the back of the trough.



5

### Clip on central support

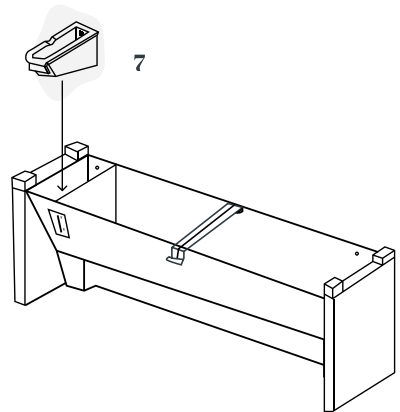
Hook the clip from the back, then use the little lever on the front to click into place. It may feel like you're pulling the boxes to do this.



6

### Add the water filter.

Clip this above the float to the left hand side of the box. Please make sure this is clean before you start to water.



# Repeat.

Steps 1 - 6 for all your 9 boxes



**DO NOT ADD ANY OF THESE CLIPS UNTIL INSTRUCTED TO**



7

In the bottom left corner of your box you will find a square hole.

This is where you want to place your water stopper.

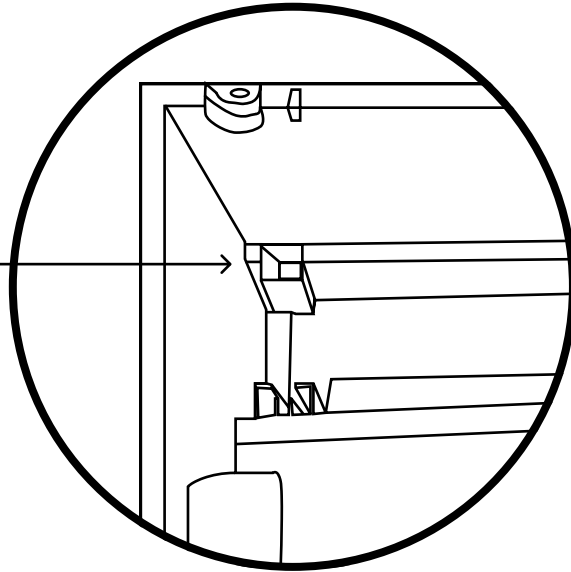
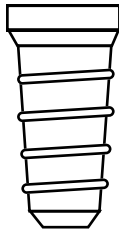
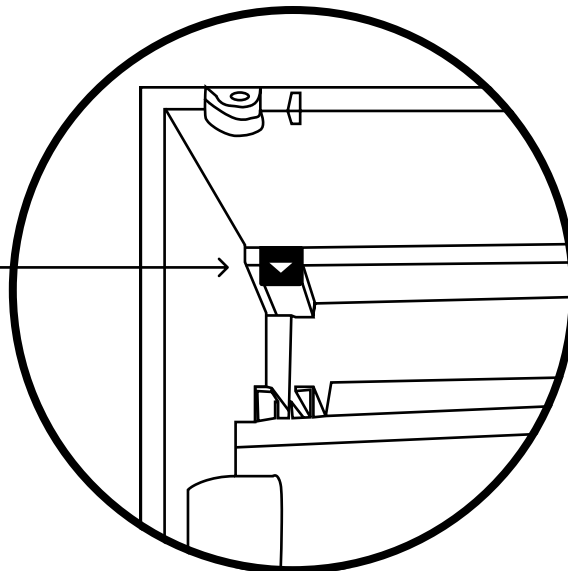
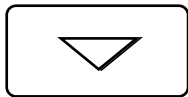


Diagram shows the bottom left of inside your box.

8

Push down firmly until all the way in.

Make sure the arrow is facing away from the back of the box.

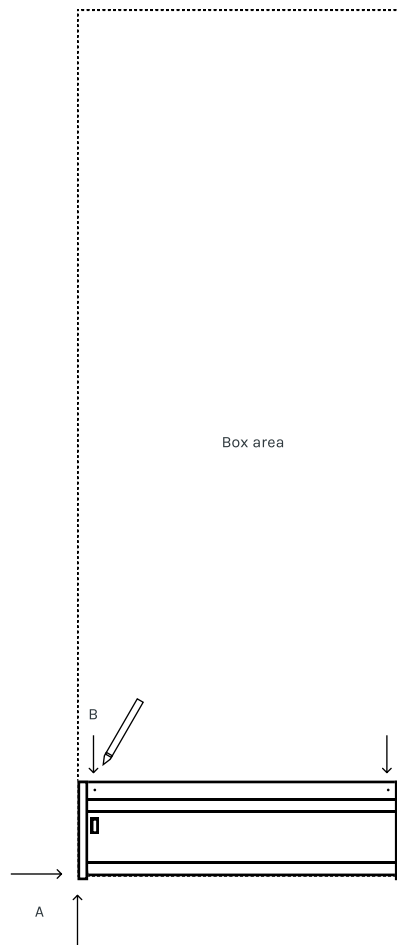


**MAKE SURE THE BOX WITH THIS STOPPER IS ALWAYS THE BOTTOM BOX**  
We don't want you having to mop up water when you fill your boxes.

# Attaching your boxes.

9

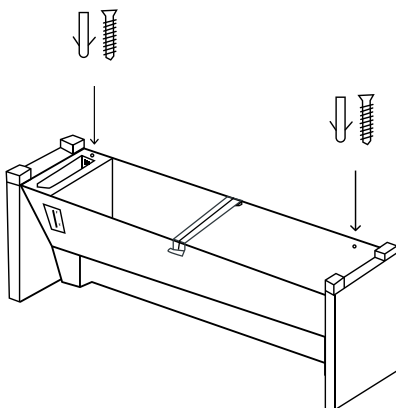
(A) Position your first box in the bottom left corner. Using a spirit level along the top and sides to make sure this first box is level and mark your drill holes (B) with a pen or pencil.



PLEASE ENSURE THAT THIS BOX HAS BEEN FITTED WITH A WATER STOPPER AS PER STEPS 6 & 7

10

Remove box and drill holes where your marks are and push in your raw plugs. Position your box over the holes and screw your screws into the raw plugs. Re-check with a spirit level to make sure your box is level.



Front view



Side view

**11**

Repeat steps 9 -10 and fit the bottom row of boxes making sure they are all level.



E

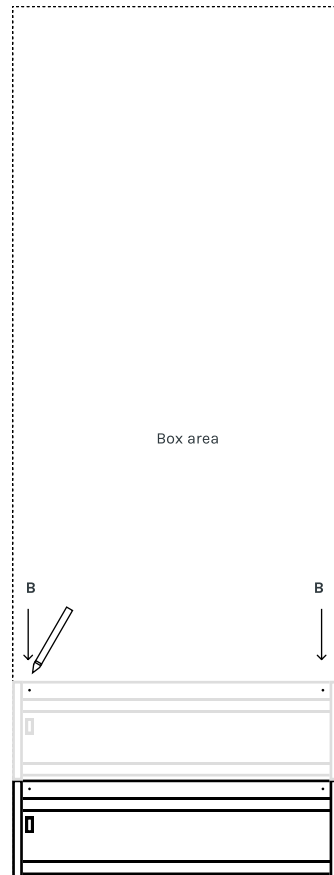
x4



**12**

Place your next box on top of the other and mark your drill holes (**B**)

Then take off the boxes and drill and place your wall plugs in.





13

Now the boxes are out of the way add your clips (c)

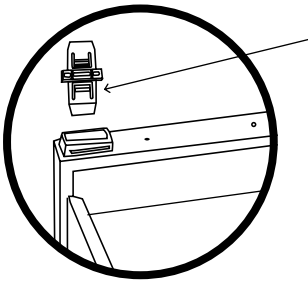


c

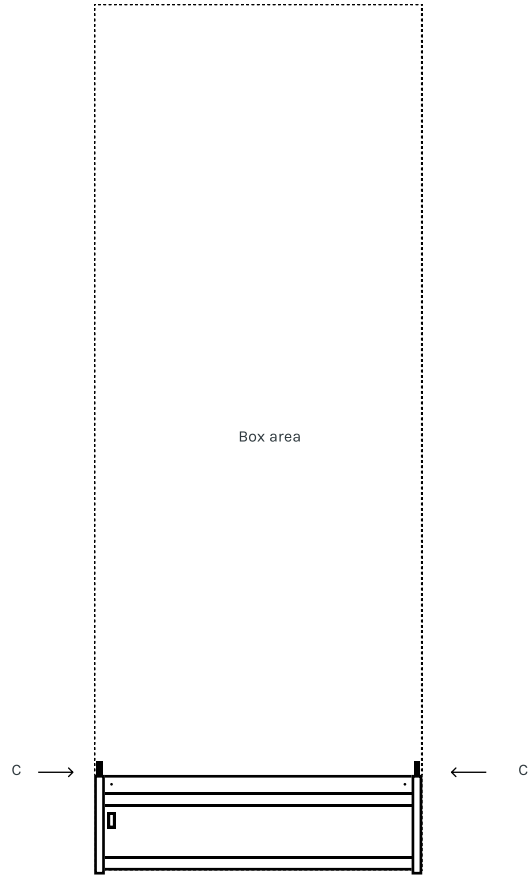
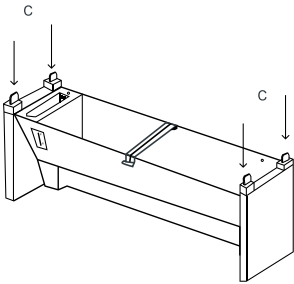
x4

**CAUTION!**

Please place the clips in as shown in the diagram below so if you ever need to change a box you can get the clips out.



Make sure the lip of the clip is facing in towards the box when you clip it in.



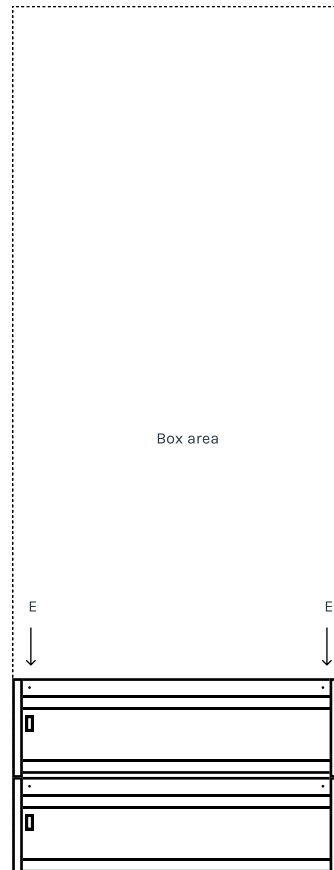
14

Place the box back on top clipping them in. Then screw in the row of boxes (E)



E

x2



# Repeat.

Steps 9 - 14 for remaining boxes



ADD THE OTHER WATER STOPPERS INTO THE **4TH BOX** AND THE **7TH BOX**



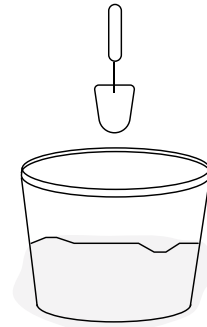
ON THE LAST TOP BOX **DO NOT ADD** THESE CLIPS

# Planting guide.

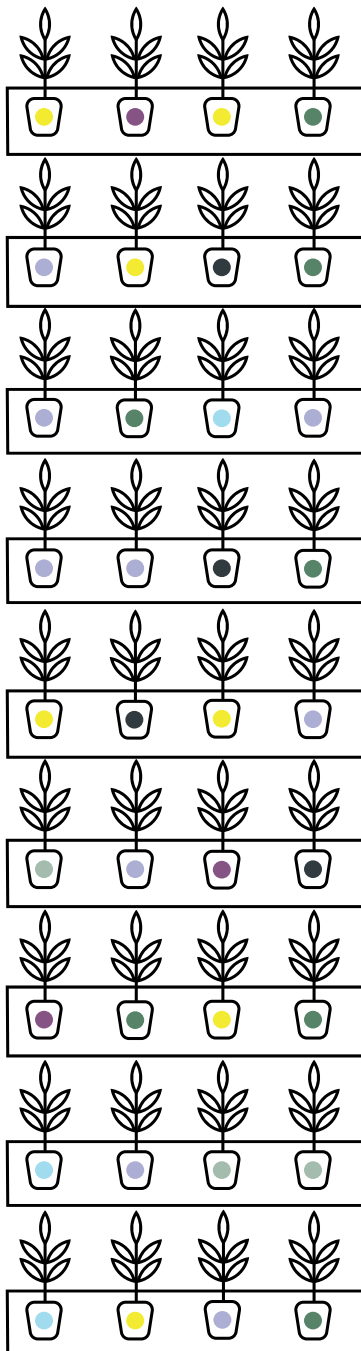
15

This process can be messy so please do not attempt to do this on a surface that can't be mopped up.

Gently ease the plants out of their pot and place the plants in their position. Once all your plants are in position, fill in the gaps with the compost. Gently pat it down around the plants.



15KG  
Compost



# Watering & Maintenance.

## 16

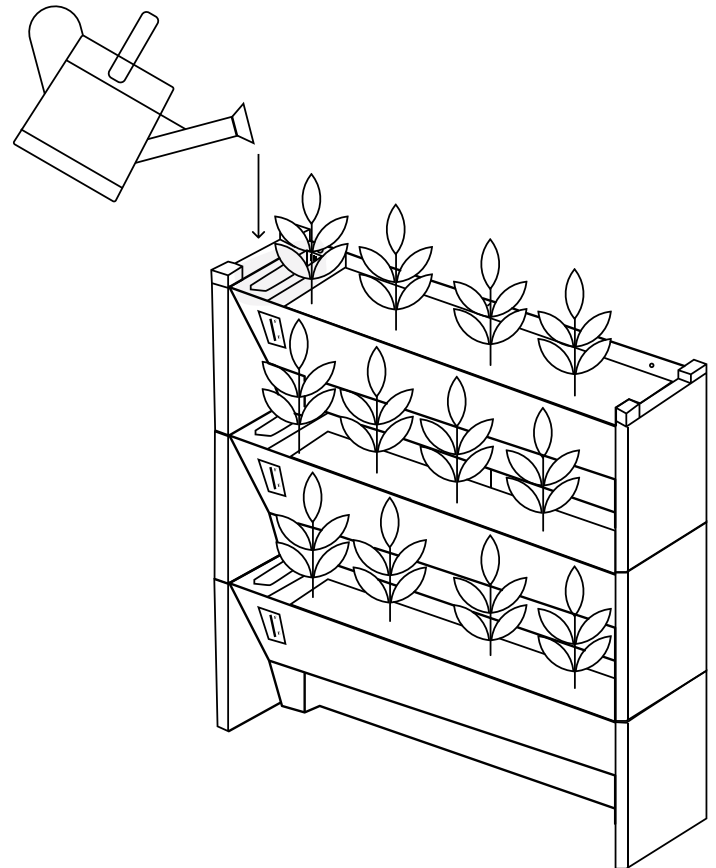
### Watering

Houseplants are typically jungle dwellers and like to have some moisture in the air. Please spray your plants with water every few days.

Water the boxes either by using a 1-2 litre watering can. From the top water boxes via the water filter on the left hand side. It's still easier to water this way as the water will trickle down and fill them all up.

Add water until ALL your plant boxes reach the 'F' Full mark (the little yellow indicator will float up to the top).

This should allow up to 1 weeks of water supply to your plants.



## 17

### Maintenance

Your living wall plants will occasionally shed some leaves, and some leaves will die back eventually. When you water the plants, have a pair of scissors/ secateurs handy and just snip off any dead leaves.

You shouldn't have to change the soil, as you can add nutrients into your water and therefore into the plants. Try using a feed which is diluted into water, as per feed instructions. You should have enough food in the soil for the first 6 to 9 months.

# All done.

If you have any questions at all then please get in touch, we're here to help and available on chat 9 a.m until 9 p.m

Please share your finished living wall using [@gardeninaboxuk](#) | For more tips and advice visit [www.gardeninabox.com/inspiration](http://www.gardeninabox.com/inspiration)