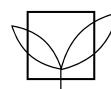
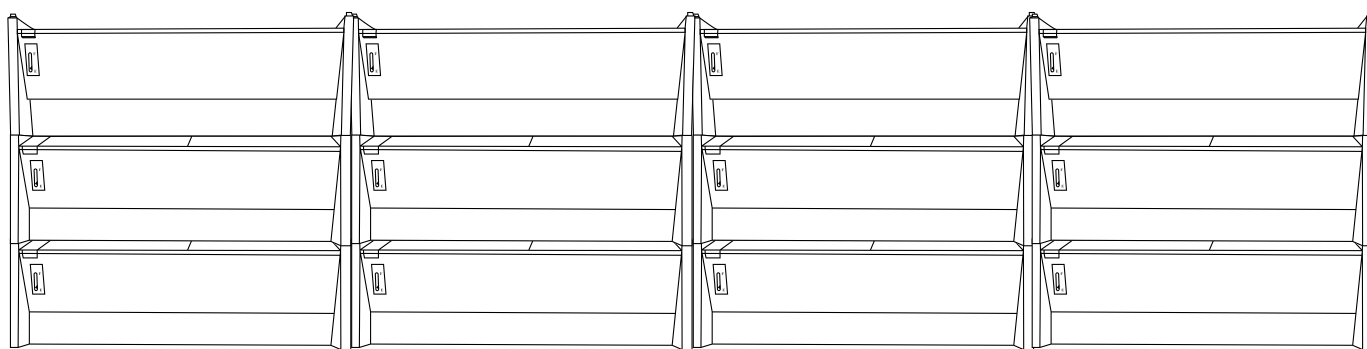


Building and planting guide

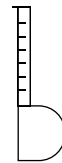
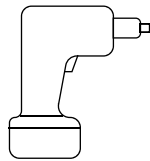
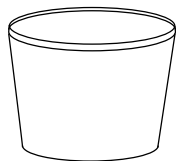
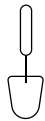
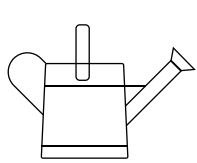
Panorama



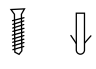
GARDEN
IN A BOX

Here are the things you need before you start.

What you need.



Recommended by the manufacturer



x24 x24

6.0mm A2 stainless steel Multipurpose
Ultrascrew PZ
6.0mm Fischer SX Nylon Wall Plugs

15L container

Drill



Spirit level

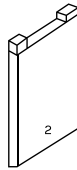
In your box.



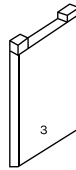
x48



Compost



x24

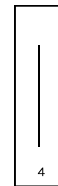


x24



x12 x24

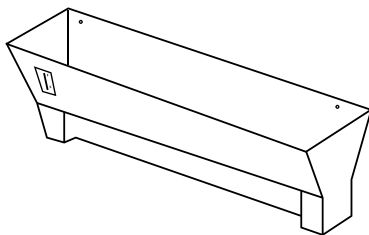
Black felt



x24



x12



x12



x12



x12



x12

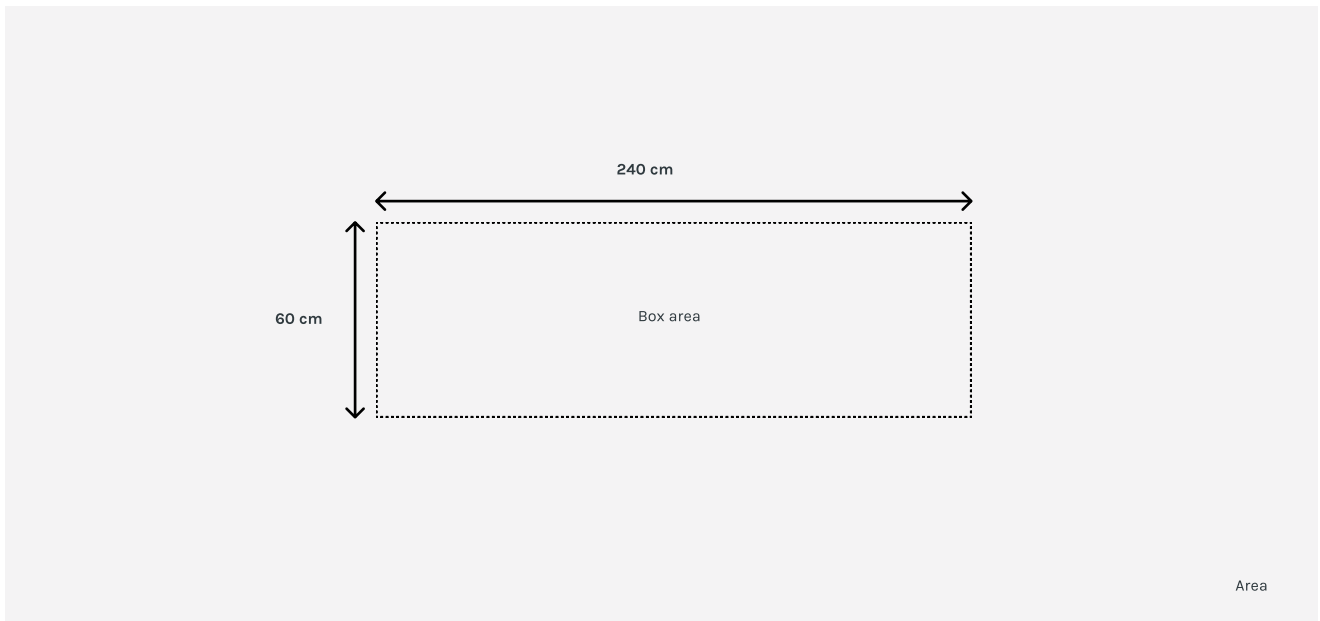


x32



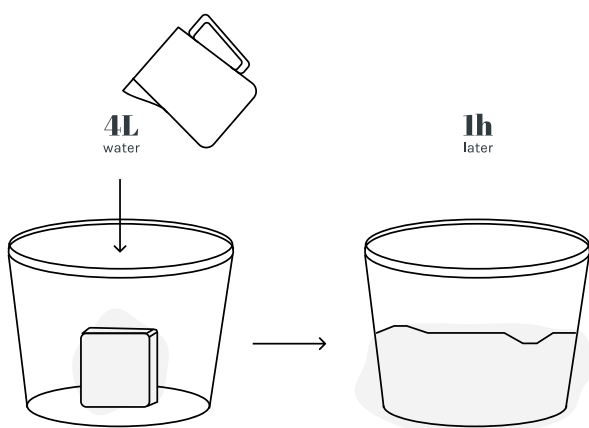
x3

Measure and prepare.



Ensure the surface you are intending to wall mount the boxes on is level and you've measured and know that it will fit within the space you need.

Make your compost.



Set off the super expanding compost, you need to add 4 Litres of water per block of compost. If you're using a smaller bucket you may need to do this one at a time. This soil will swell up quite a lot, to 15 Litres.

TIP

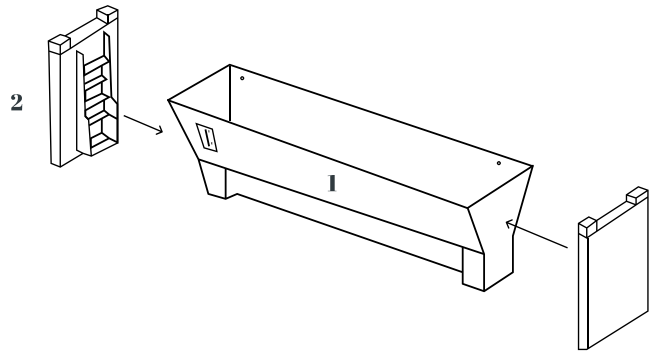
If you've not got a bucket big enough then you could use a heavy duty rubble sacks (with no holes).

Build a box.

1

Start by putting the sides on the troughs.

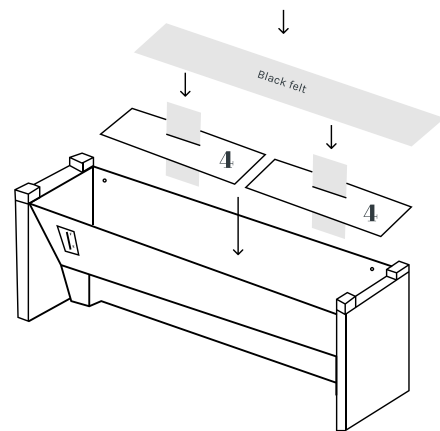
Clip the sides (2) and (3) to the trough (1) by aligning the top first and clicking in the bottom.



2

Feed the smaller felt through the slots on the shelves.

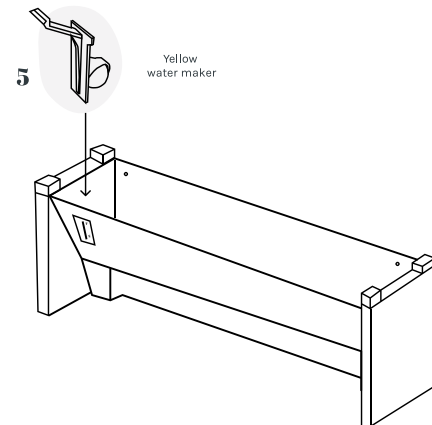
Then place both the shelves inside the trough, making sure the slots are at the back. Now overlay the longer felt piece on the shelf.



3

Slide in the yellow polystyrene float.

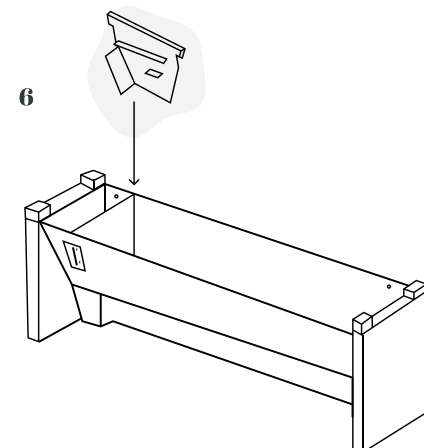
Slot it into the grooves on the left hand side of the trough in the bottom. You will now see the yellow arrow on the water indicator once in.



4

Slot in your divider plate.

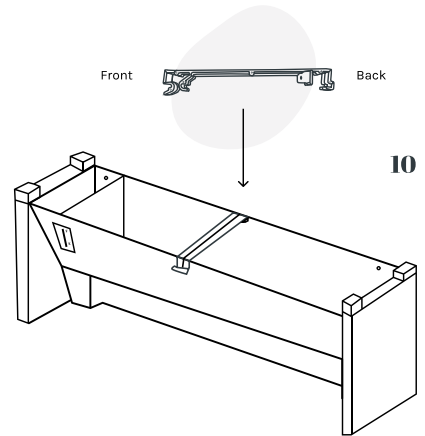
This divider plate just slides in next to the water indicator area. The large flat end should sit against the back of the trough.



5

Clip on central support

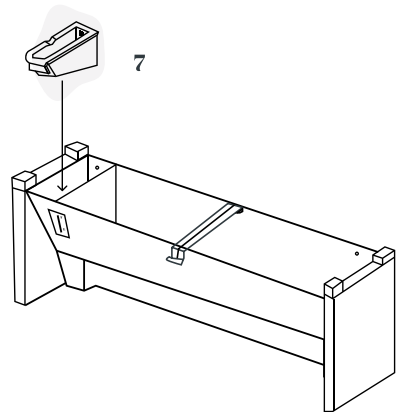
Hook the clip from the back, then use the little lever on the front to click into place. It may feel like you're pulling the boxes to do this.



6

Add the water filter.

Clip this above the float to the left hand side of the box. Please make sure this is clean before you start to water.



Repeat.

Steps 1 - 6 for all your 9 boxes



DO NOT ADD ANY OF THESE CLIPS UNTIL INSTRUCTED TO



Attaching your boxes.

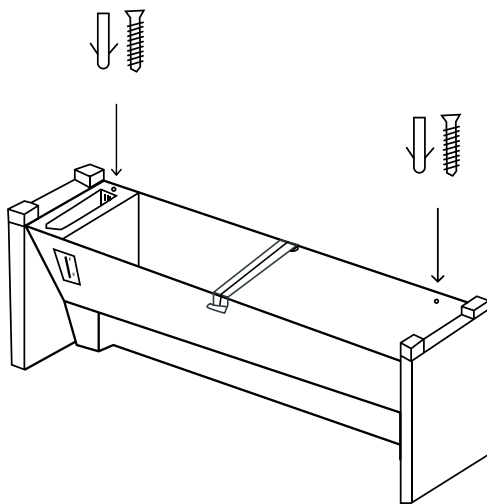
7

(A) Position your first box in the bottom left corner. Using a spirit level along the top and sides to make sure this first box is level and mark your drill holes (B) with a pen or pencil.



8

Remove box and drill holes where your marks are and push in your raw plugs. Position your box over the holes and screw your screws into the raw plugs. Re-check with a spirit level to make sure your box is level.



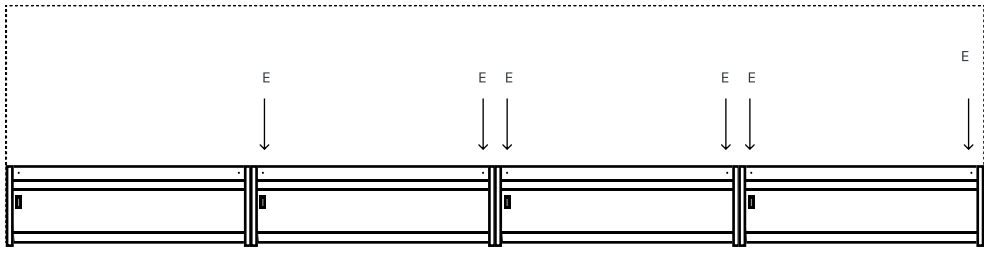
Front view



Side view

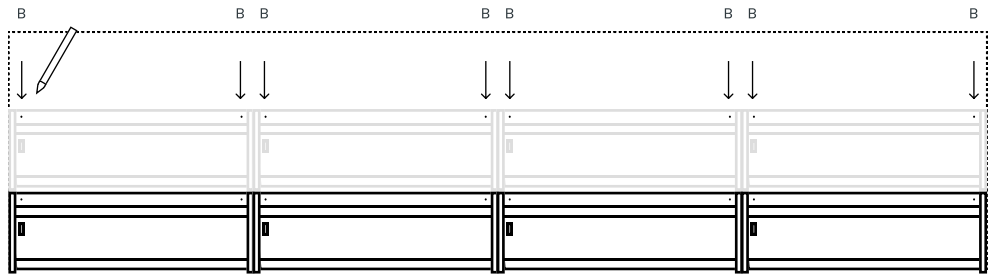
9

Repeat steps 6 -7 and fit the bottom row of boxes making sure they are all level.



10

Place your next x4 boxes on top of the other and mark your drill holes (B)
Then take off the boxes and drill and place your wall plugs in.

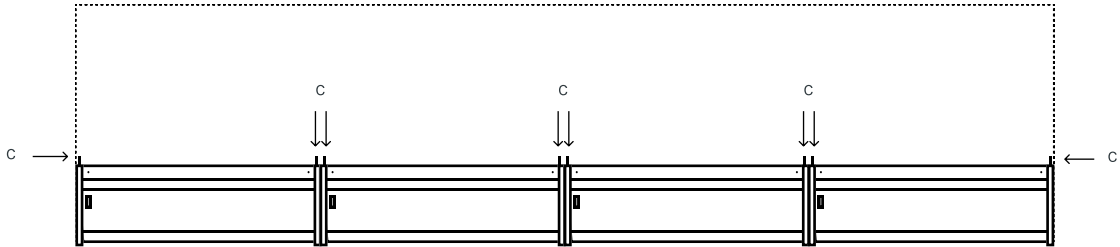


11

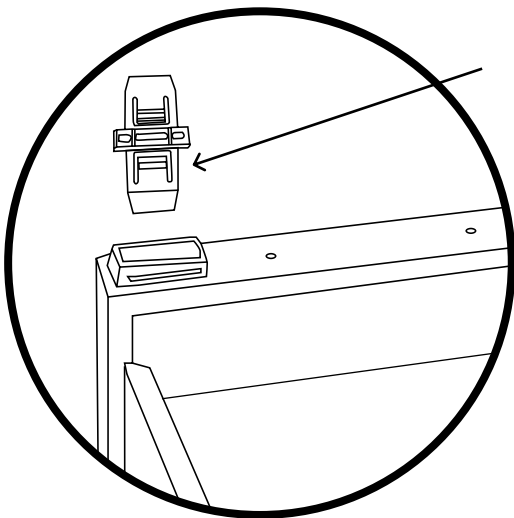
Now the boxes are out of the way add your clips (c)

CAUTION!

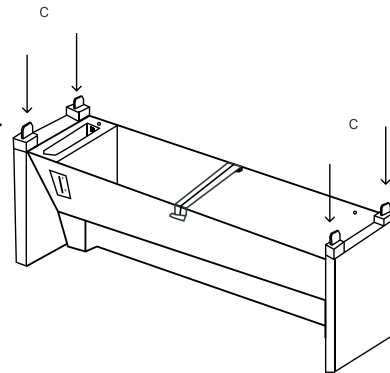
Please place the clips in as shown in the diagram below so if you ever need to change a box you can get the clips out.



c
x16

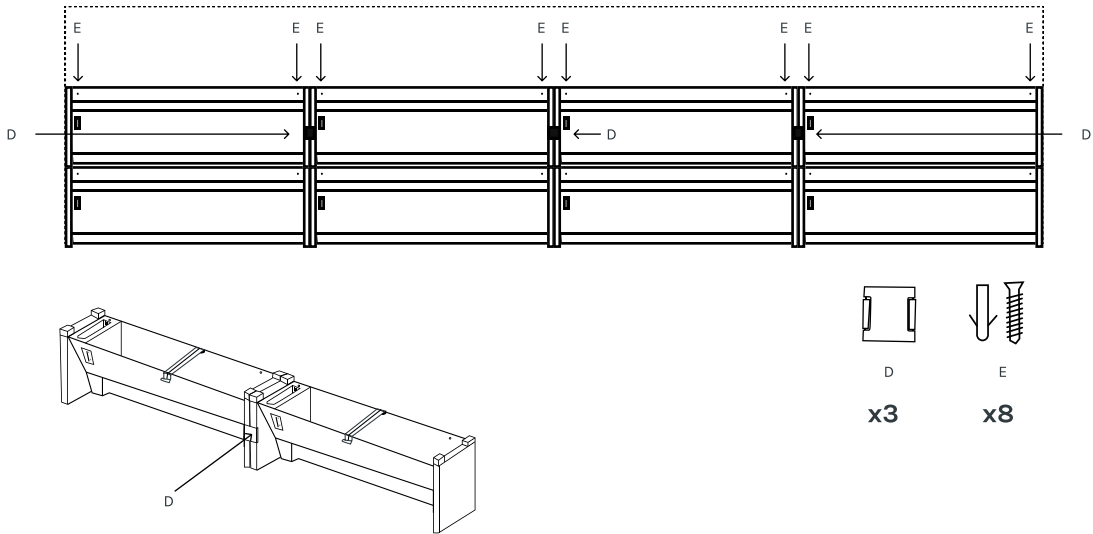


Make sure the lip of the clip is facing in towards the box when you clip it in.



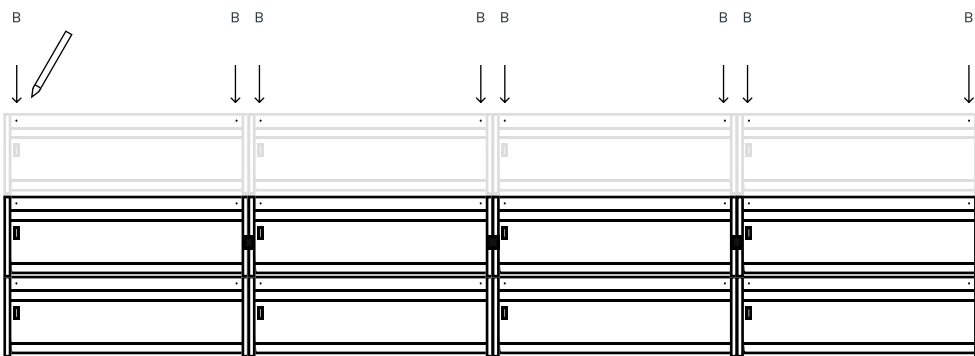
12

Place your boxes back on top clipping them together and screw in the row of boxes (E) and then add your support clips (D)



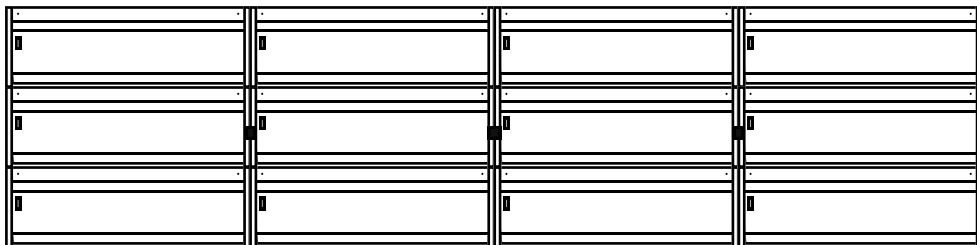
13

Place your next x3 boxes on top of the other and mark your drill holes (B) Then take off the boxes and drill and place your wall plugs in.



14

Clip the top 4 boxes on top.



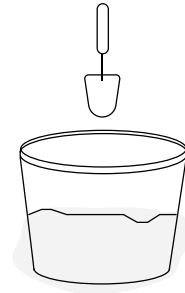
Planting guide.

15

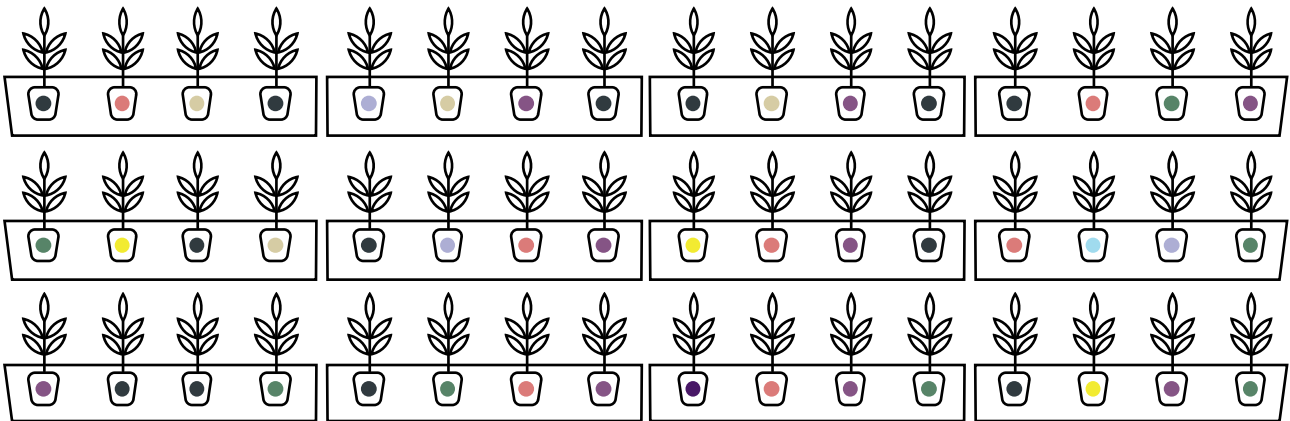
Before you start planting add between 1-2 cm of compost in the bottom of your boxes. Now use the colour coded pots to plant up. This is only a guide feel free to mix and match if you'd prefer to put plants in different places.

Gently ease the plants out of their pot and place the plants in their position.

Once all your plants are in position, fill in the gaps with the remaining compost. Gently pat it down around the plants.



15KG
Compost



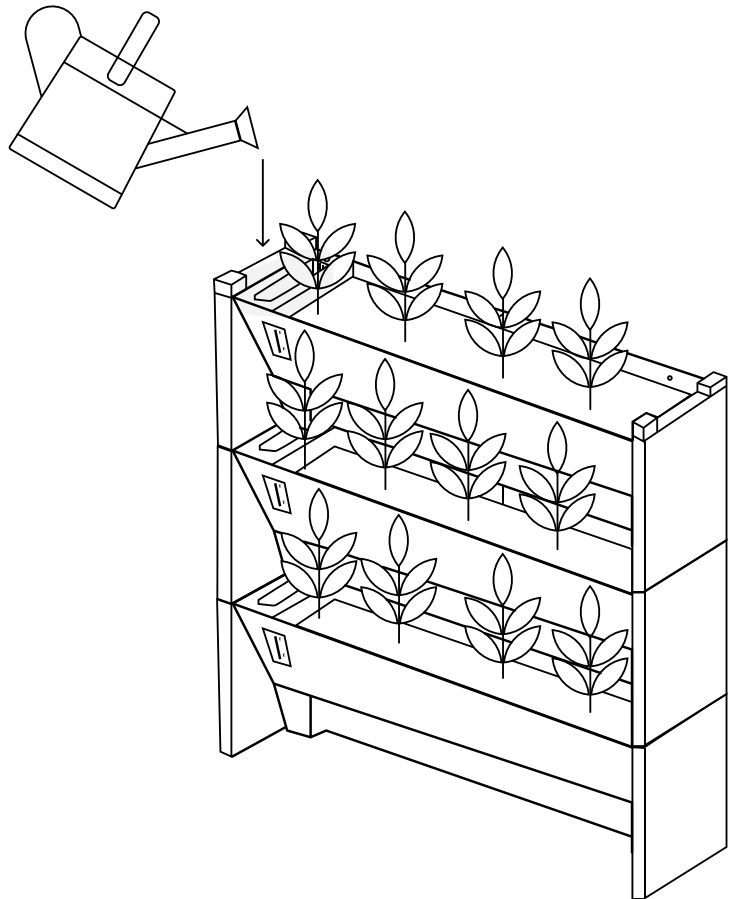
Watering.

16

Water the boxes either by using a hosepipe or watering can.

From the top water boxes via the water filter on the left hand side. Try to keep this clear at all times as well , to harvest as much rainwater as possible. Add water until ALL your plant boxes reach the 'F' Full mark (the little yellow indicator will float upto the top).

This should allow upto 1 weeks of water supply to your plants. The great British weather will give you a hand with watering your boxes, but it may only fill the top ones . It's still easier to water from the top as the water will trickle down and fill them all up.



Nice Job! All done.

If you have any questions at all then please get in touch ,
we're here to help and available on chat 9 a.m until 9 p.m

Please share your finished living wall using [@gardeninaboxuk](#) | For more tips and advice visit [www.gardeninabox/inspiration](#)