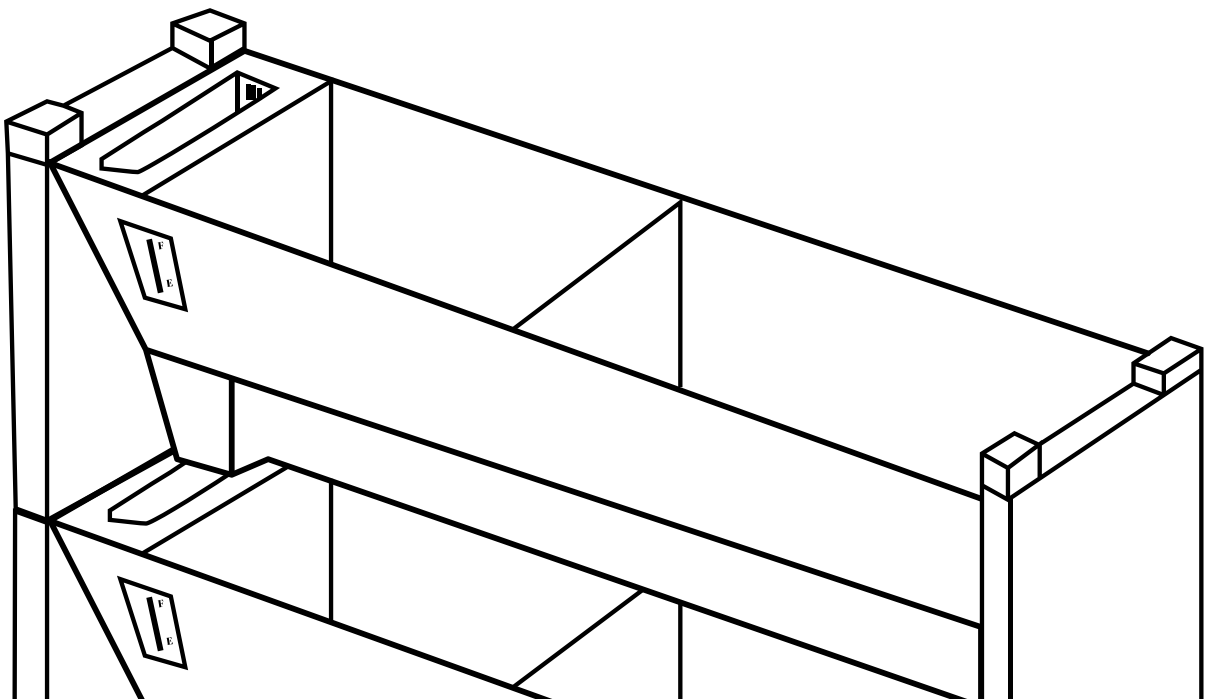


GARDEN  
IN A BOX

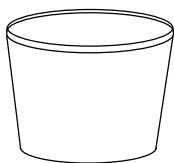
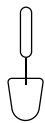
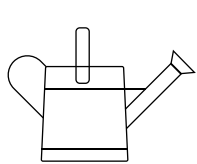
Outdoor kit & Plants

# Building guide.

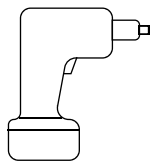


# Here are the things you need before you start.

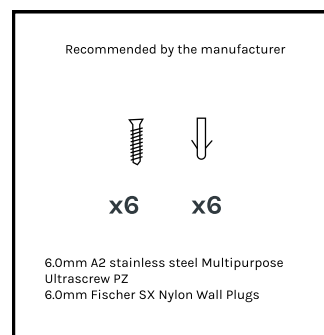
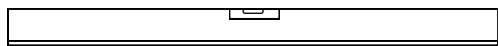
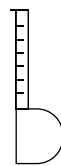
## What you need.



15L container



Drill



## In your 3 box kit.

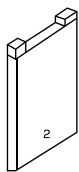


x12

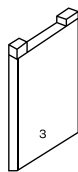


x1

Compost



x3

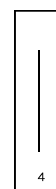


x3



x3 x6

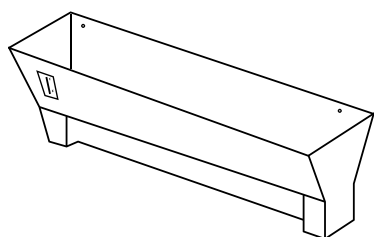
Black felt



x3



x3



x3



x3



x3



x3

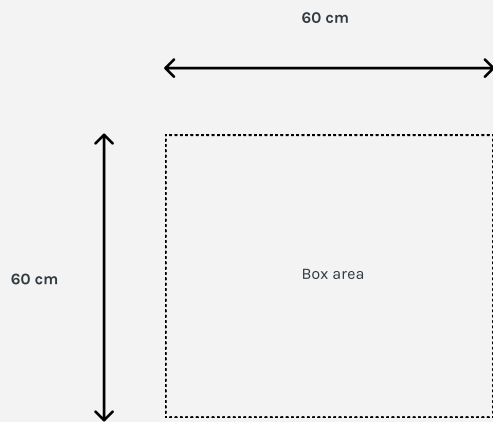


x8



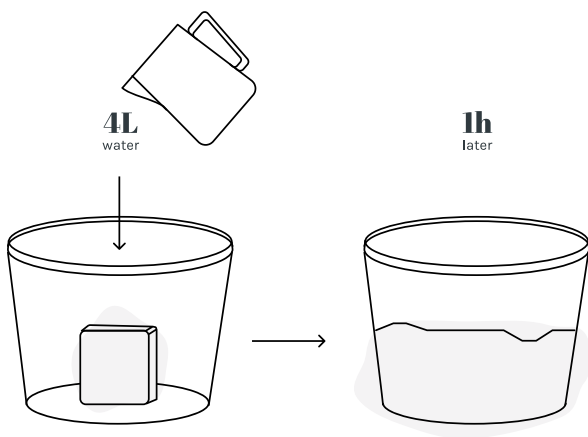
Only for multiple kits

## Measure and prepare.



Ensure the surface you are going to screw the boxes onto is level and you've measured and know that it will fit within the space you've chose.

## Make your compost.



Set off the super expanding compost , you need to add 4 Litres of water per block of compost. If you're using a smaller bucket you may need to do this one at a time. This soil will swell up quite a lot , to 15 Litres.

### TIP

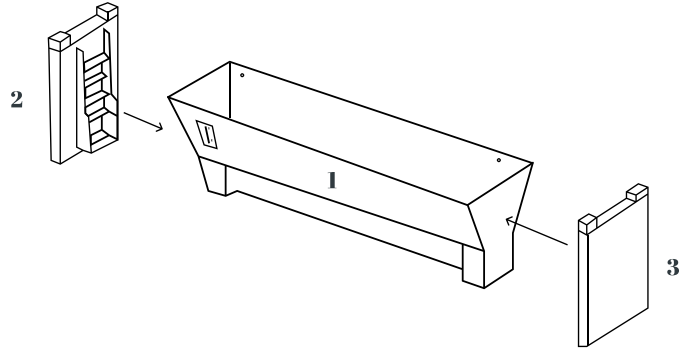
If you've not got a bucket big enough then you could use a heavy duty rubble sacks (with no holes).

# Build a box.

1

**Start by putting the sides on the troughs.**

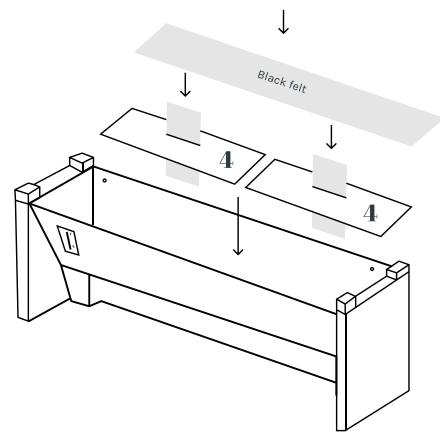
Clip the sides (2) and (3) to the trough (1) by aligning the top first and clicking in the bottom.



2

**Feed the smaller felt through the slots on the shelves.**

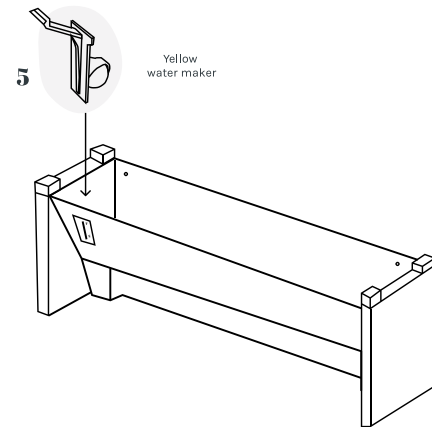
Then place both the shelves inside the trough, making sure the slots are at the back. Now overlay the longer felt piece on the shelf.



3

**Slide in the yellow polystyrene float.**

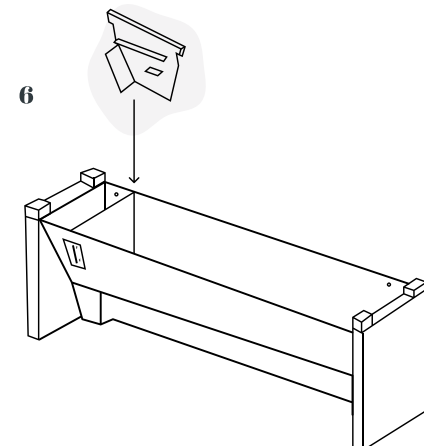
Slot it into the grooves on the left hand side of the trough in the bottom. You will now see the yellow arrow on the water indicator once in.



4

**Slot in your divider plate.**

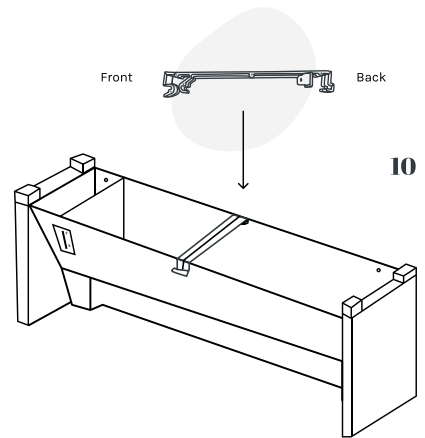
These divider plates just slot into the trough along the inside of the trough. One divider slides in next to the water indicator area and the other sits in the middle. The large flats should sit against the back of the trough.



**5**

**Clip on central support**

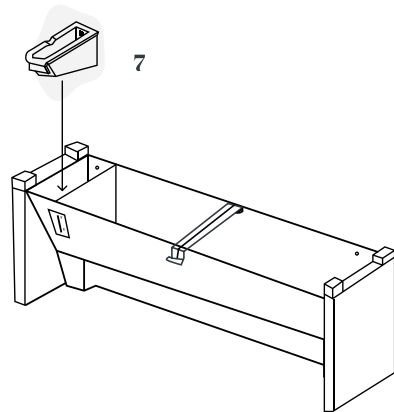
Hook the clip from the back, then use the little lever on the front to click into place. It may feel like you're pulling the boxes to do this.



**6**

**Add the water filter.**

Clip this above the float to the left hand side of the box. Please make sure this is clean before you start to water.



**Repeat.**

Steps 1 - 6 for all your 9 boxes



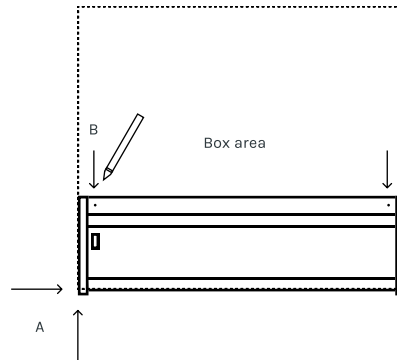
**DO NOT ADD ANY OF THESE CLIPS UNTIL INSTRUCTED TO**



# Attaching your boxes.

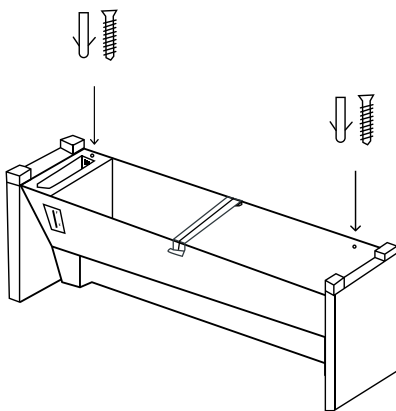
7

(A) Position your first box in the bottom left corner. Using a spirit level along the top and sides to make sure this first box is level and mark your drill holes (B) with a pen or pencil.

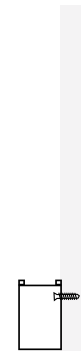


8

Remove box and drill holes where your marks are and push in your raw plugs. Position your box over the holes and screw your screws into the raw plugs. Re-check with a spirit level to make sure your box is level.



Front view



Side view

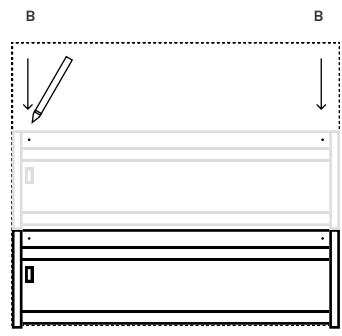


E  
x4

9

Place your next box on top of the other and mark your drill holes (B)

Then take off the boxes and drill and place your wall plugs in.



10

Now the boxes are out of the way add your clips (c)

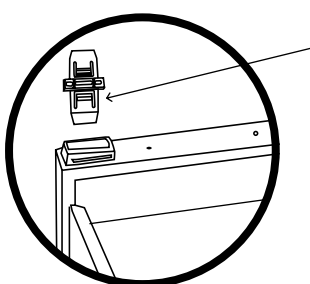
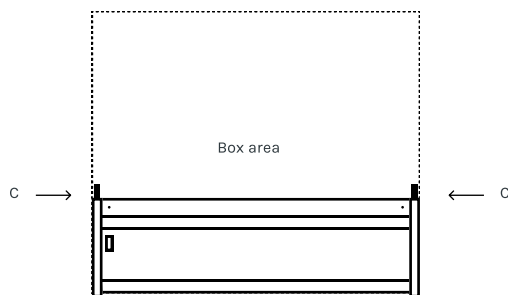


c

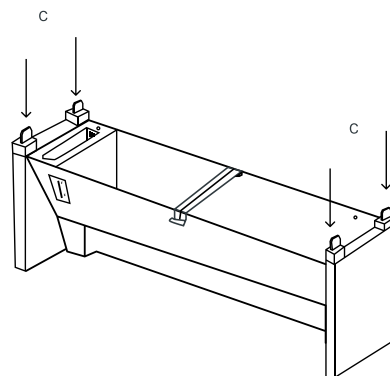
x4

**CAUTION!**

Please place the clips in as shown in the diagram below so if you ever need to change a box you can get the clips out.



Make sure the lip of the clip is facing in towards the box when you clip it in.



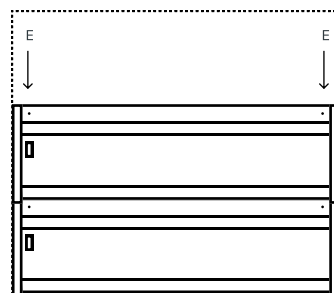
10

Screw the box to the wall (E)



E

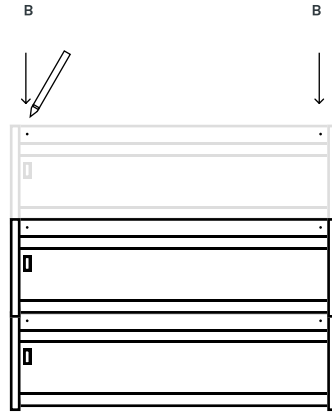
x4



**11**

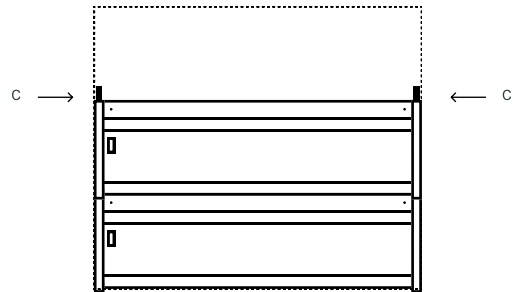
Place your next box on top of the other and mark your drill holes **(B)**

Then take off the boxes and drill and place your wall plugs in.



**12**

Now the boxes are out of the way add your clips **(c)**



**13**

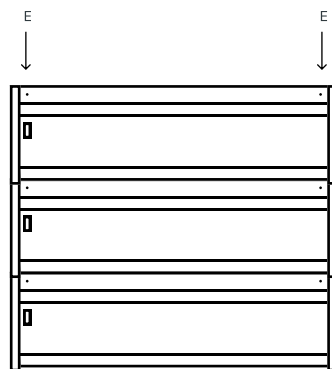
Screw the box to the wall **(E)**

If you are adding more than 3 boxes above then repeat steps 12, 13, and 14.



E

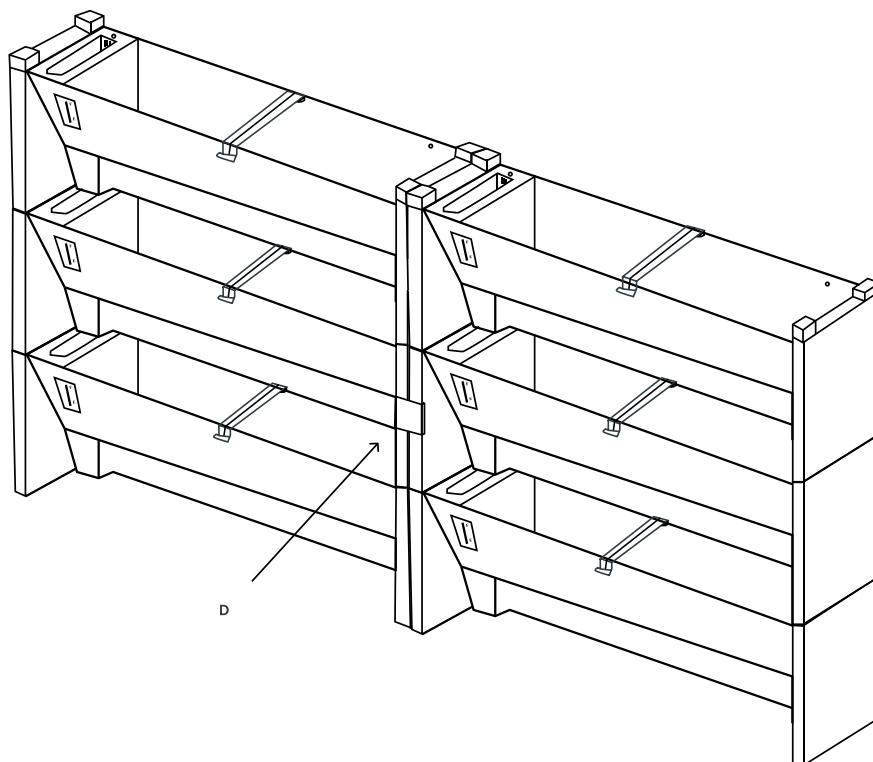
x4





# Attaching additional boxes.

This only applies if your adding more boxes to the sides of your boxes.



## Adding clips

If you are fixing boxes side by side then clip the x1 clip to the front of your boxes to hold them together. **(D)**



D

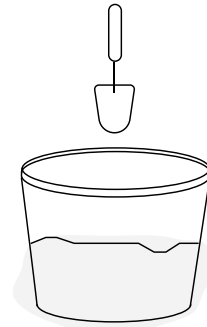
x1

# Planting guide.

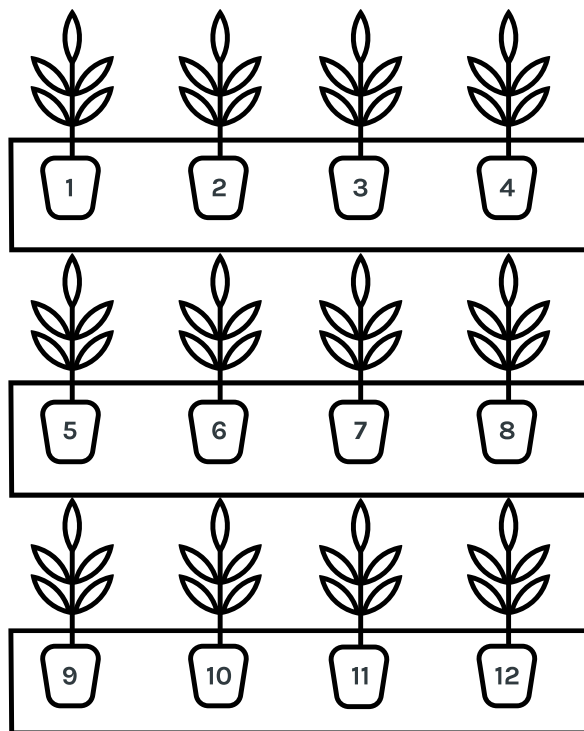
14

Before you start planting add between 1 -2 cm of compost in the bottom of your boxes. Now use the numbered pots to plant up. This is only a guide feel free to mix and match if you'd prefer to put plants in different places.

Gently ease the plants out of their pot and place the plants in their position. Once all your plants are in position, fill in the gaps with the remaining compost. Gently pat it down around the plants.



15KG  
Compost



## Key

- 1 Fern Type 1
- 2 Fern Type 2
- 3 Hellebore or replacement
- 4 Hedera (Ivy)
- 5 Everillo Grass

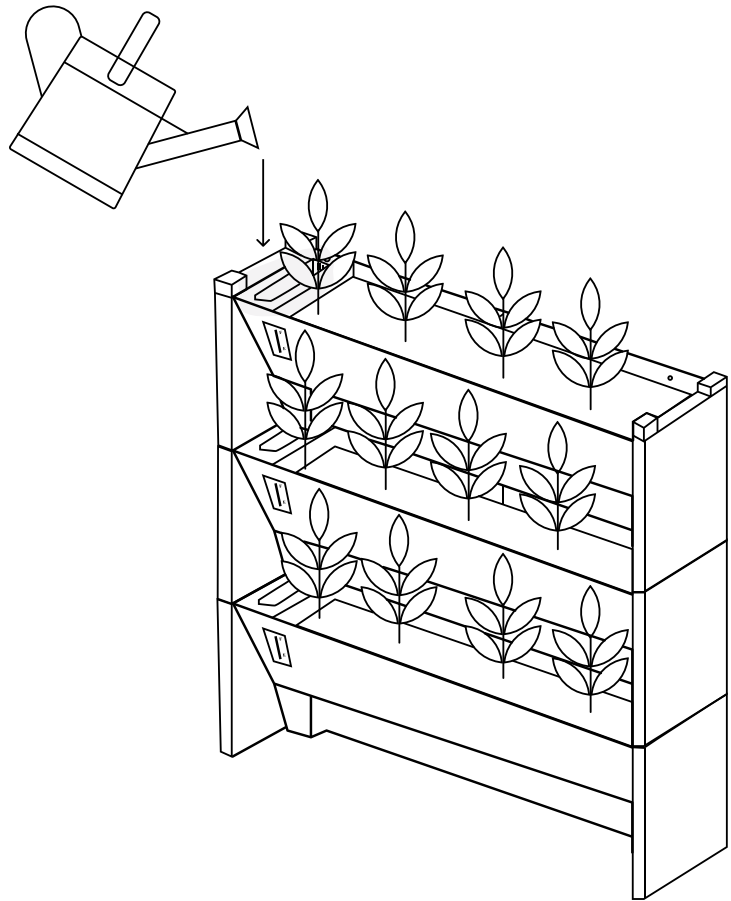
# Watering.

15

Water the boxes either by using a hosepipe or watering can.

From the top water boxes via the water filter on the left hand side. Try to keep this clear at all times as well , to harvest as much rainwater as possible. Add water until ALL your plant boxes reach the 'F' Full mark (the little yellow indicator will float upto the top).

This should allow upto 1 weeks of water supply to your plants. The great British weather will give you a hand with watering your boxes, but it may only fill the top ones . It's still easier to water from the top as the water will trickle down and fill them all up.



## Nice Job! All done.

If you have any questions at all then please get in touch ,  
we're here to help and available on chat 9 a.m until 9 p.m

Please share your finished living wall using [@gardeninaboxuk](#) | For more tips and advice visit [www.gardeninabox/inspiration](#)