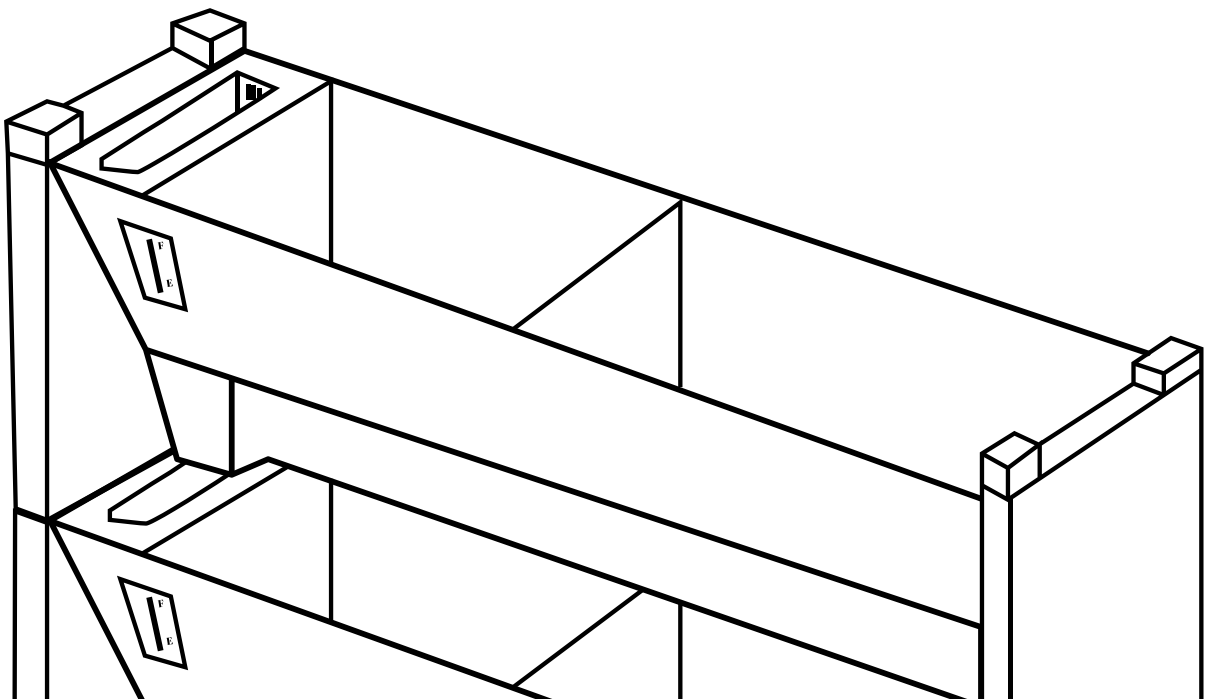


GARDEN
IN A BOX

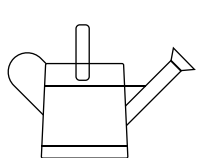
Indoor kit

Building guide.

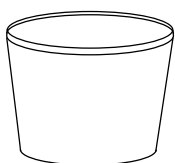
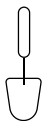


Here are the things you need before you start.

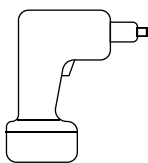
What you need.



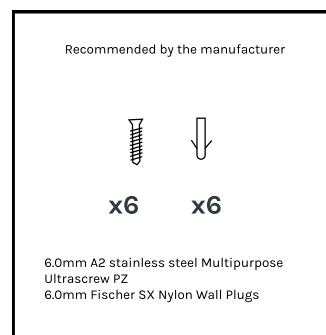
1-2L



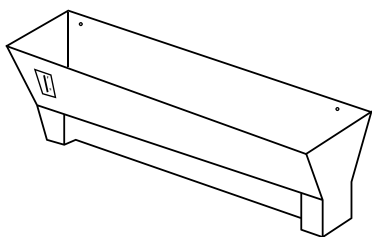
15L container



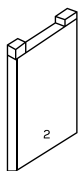
Drill



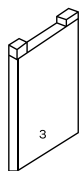
In your 3 box kit.



x3



x3

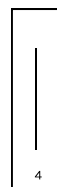


x3



x3 x6

Black felt



x3



x3



x3



x3



x3



x8

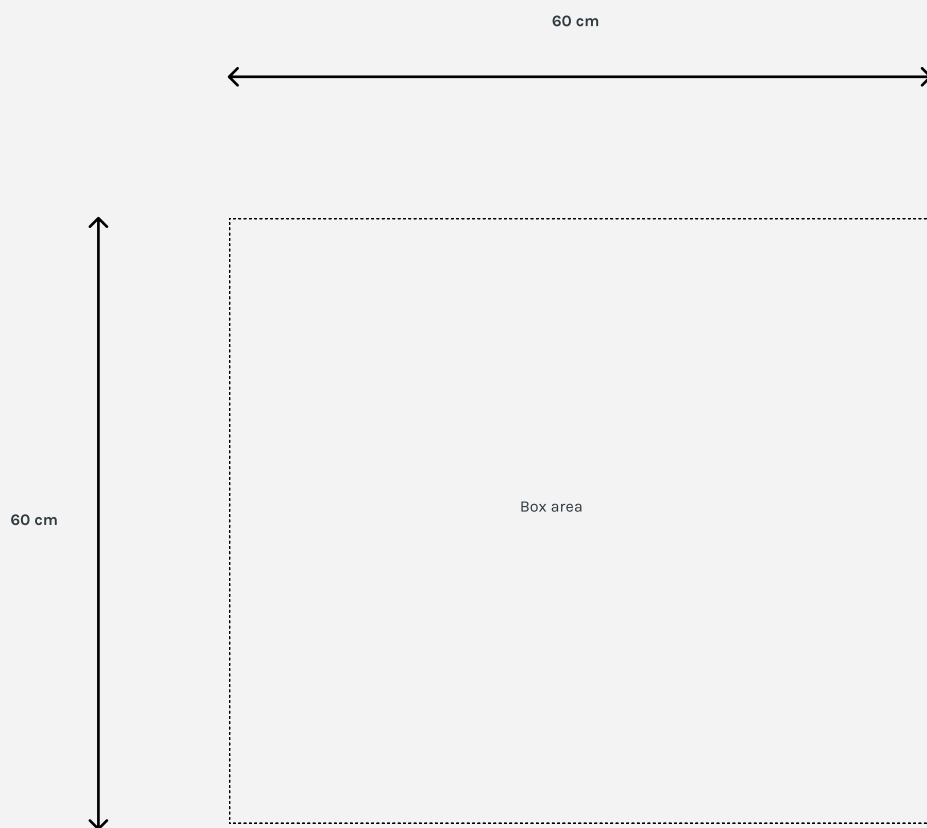


x1



Only for multiple kits

Measure and prepare.



Ensure the surface you are going to screw the boxes onto is level and you've measured and know that it will fit within the space you've chose.

CAUTION

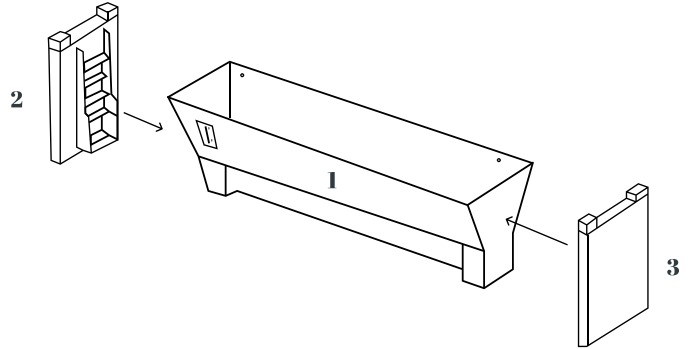
Please do not place the box too close to a radiator and ensure that there are water pipes, or electric cables running behind where you are planning to drill

Build a box.

1

Start by putting the sides on the troughs.

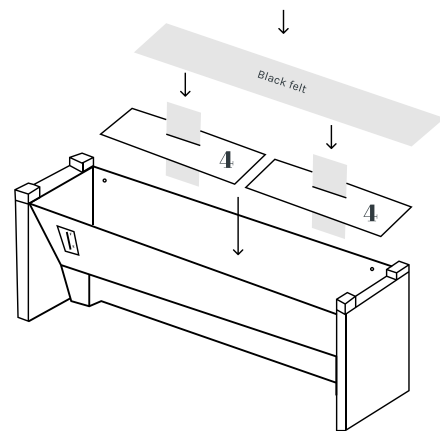
Clip the sides (2) and (3) to the trough (1) by aligning the top first and clicking in the bottom.



2

Feed the smaller felt through the slots on the shelves.

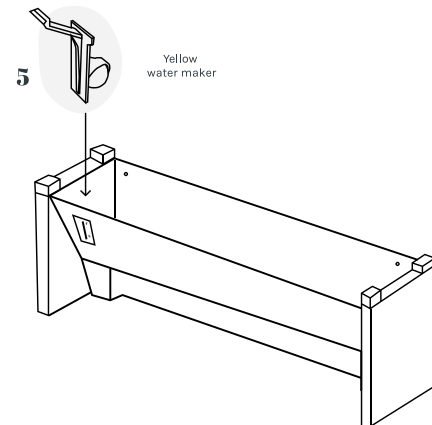
Then place both the shelves inside the trough, making sure the slots are at the back. Now overlay the longer felt piece on the shelf.



3

Slide in the yellow polystyrene float.

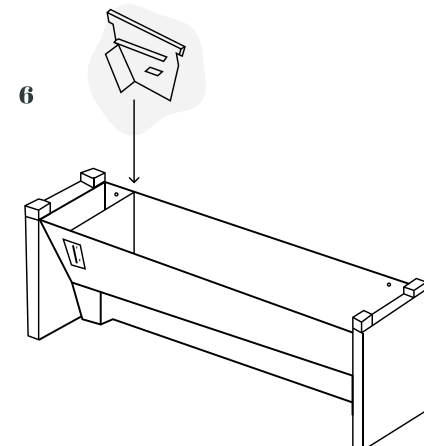
Slot it into the grooves on the left hand side of the trough in the bottom. You will now see the yellow arrow on the water indicator once in.



4

Slot in your divider plate.

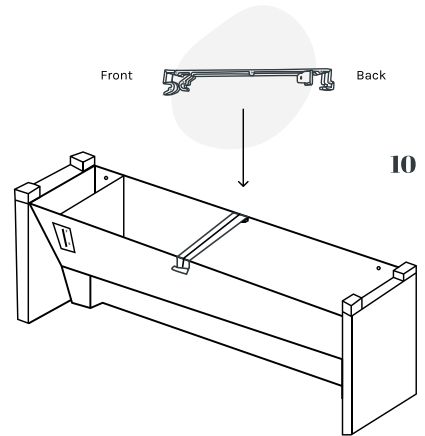
This divider plate just slides in next to the water indicator area. The large flat end should sit against the back of the trough.



5

Clip on central support

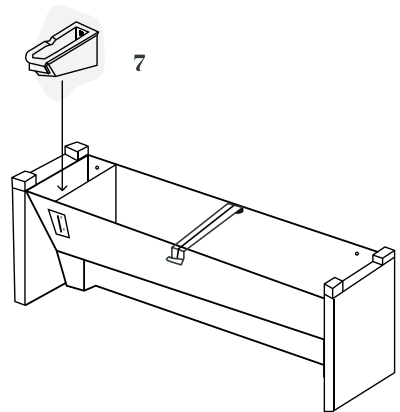
Hook the clip from the back, then use the little lever on the front to click into place. It may feel like you're pulling the boxes to do this.



6

Add the water filter.

Clip this above the float to the left hand side of the box. Please make sure this is clean before you start to water.



Repeat.

Steps 1 - 6 for all your 9 boxes



DO NOT ADD ANY OF THESE CLIPS UNTIL INSTRUCTED TO



6

In the bottom left corner of your box you will find a square hole.

This is where you want to place your water stopper.

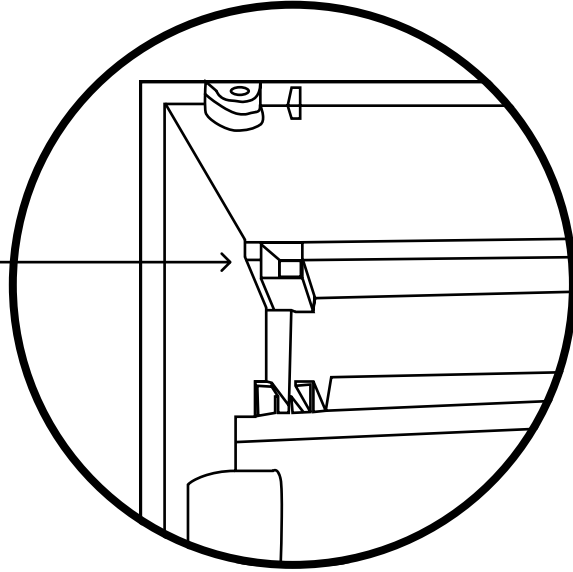
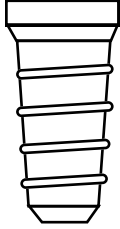
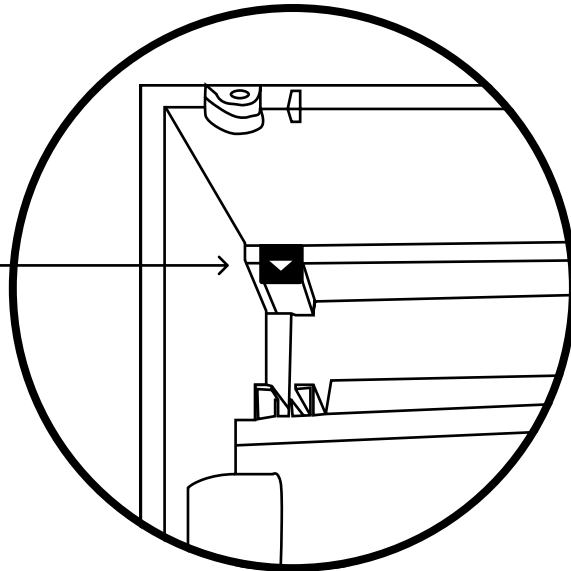
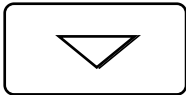


Diagram shows the bottom left of inside your box.

7

Push down firmly until all the way in.

Make sure the arrow is facing away from the back of the box.

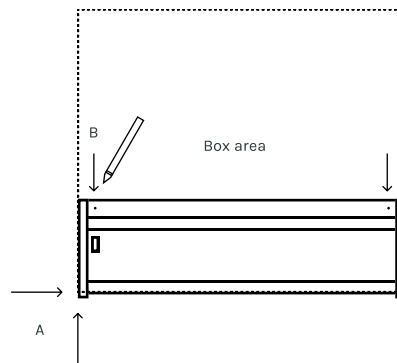


MAKE SURE THE BOX WITH THIS STOPPER IS ALWAYS THE BOTTOM BOX
We don't want you having to mop up water when you fill your boxes.

Attaching your boxes.

8

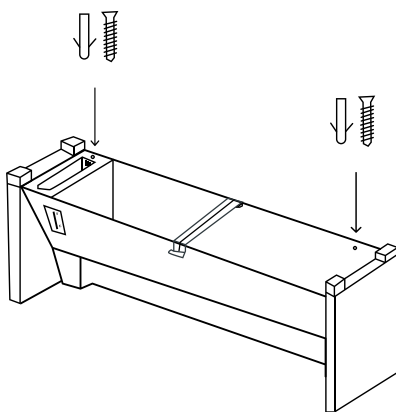
(A) Position your first box in the bottom left corner. Using a spirit level along the top and sides to make sure this first box is level and mark your drill holes (B) with a pen or pencil.



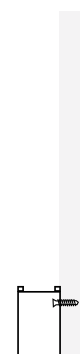
PLEASE ENSURE THAT THIS BOX HAS BEEN FITTED WITH A WATER STOPPER AS PER STEPS 6 & 7

9

Remove box and drill holes where your marks are and push in your raw plugs. Position your box over the holes and screw your screws into the raw plugs. Re-check with a spirit level to make sure your box is level.



Front view



Side view

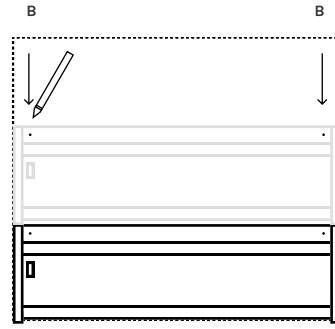


E
x4

10

Place your next box on top of the other and mark your drill holes (B)

Then take off the boxes and drill and place your wall plugs in.



11

Now the boxes are out of the way add your clips (c)

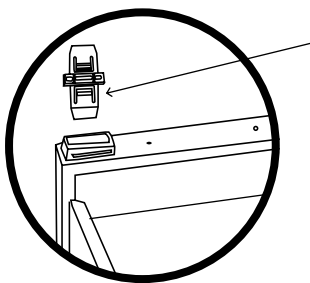
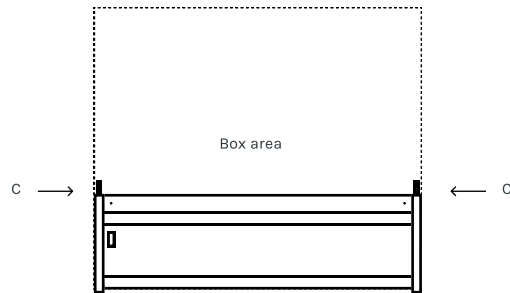


c

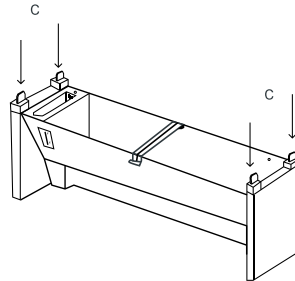
x4

CAUTION!

Please place the clips in as shown in the diagram below so if you ever need to change a box you can get the clips out.



Make sure the lip of the clip is facing in towards the box when you clip it in.



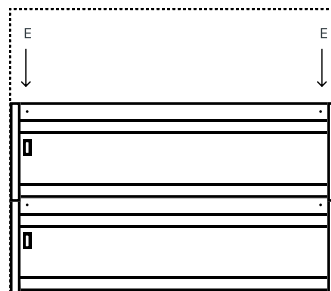
12

Screw the box to the wall (E)



E

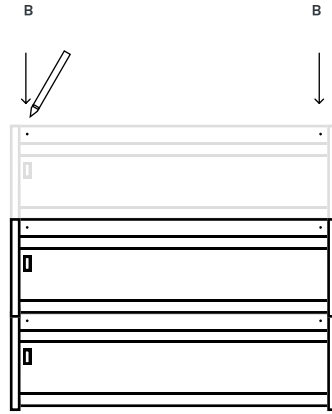
x4



13

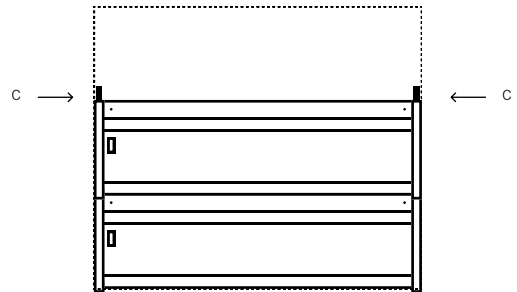
Place your next box on top of the other and mark your drill holes **(B)**

Then take off the boxes and drill and place your wall plugs in.



14

Now the boxes are out of the way add your clips **(c)**



15

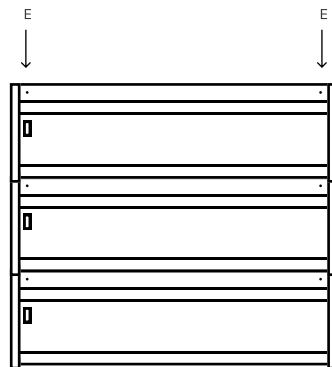
Screw the box to the wall **(E)**

If you are adding more than 3 boxes above then repeat steps 12, 13, and 14.



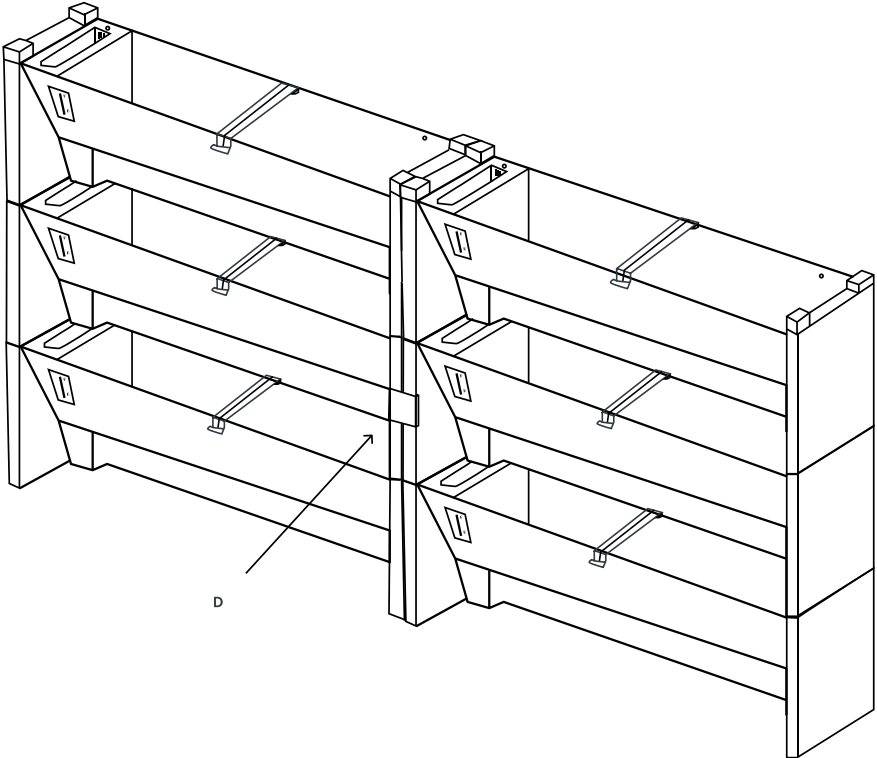
E

x4



Attaching additional boxes.

This only applies if your adding more boxes to the sides of your boxes.



Adding clips

If you are fixing boxes side by side then clip the x2 clips to the front of your boxes to hold them together. (D)



D

x2

All done.

If you have any questions at all then please get in touch ,
we're here to help and available on chat 9 a.m until 9 p.m

Please share your finished living wall using [@gardeninboxuk](#) | For more tips and advice visit [www.gardeninbox.com/inspiration](#)