



## BEAST DRIVING LIGHTS

The Australian designed, engineered, tested and manufactured BEAST LED driving light by Lightforce fuses military practicality and ruggedness with bold and unique design styling.

Built to endure and offer versatility in the most extreme driving conditions, it surpasses global test standards for durability and longevity, leading us to consider it the most rigorously tested Australian made driving light on the market, ensuring you are in command of any situation with confidence.

With its unique 3-mode operation, effortlessly switch between spot, flood and a special BEAST mode all from the comfort of your driving seat.

### FEATURES:

- Design, built, and tested in Australia
- Switch between three beam pattern options: Spot, Flood and BEAST
- 36 x high quality Osram LEDs in a combination reflector provides optimum performance
- Military inspired rear bash plate designed for appearance and future mounting options
- DRL feature with clear filter and black branded cover
- Slimline footprint of 82mm / 3.22" provides multiple mounting options
- Screwless front bezel for factory look and feel
- Black reflector mask provides uniqueness in design and appearance
- Reversible mount provides improved fitment options
- Thermal overload protection, prevents light from overheating up to 125 °C
- High current 25 Amp harness connector
- Pressure diecast aluminium housing and bezel provides lightweight strength.

### SPECIFICATIONS:

- Input voltage range: 11 – 32V
- LED lifespan: 50,000 hours
- Input protection: Reverse polarity / low voltage
- Weight including bracket (per light): 2.2kg / 4.9lb

### SPECIFICATIONS:

(PER LIGHT - SPOT / FLOOD / BEAST MODE)

- Current draw @ 13.2V: 11.2 / 6.5 / 13Amps
- Input power @ 13.2V: 148 / 93 / 172W
- Raw lumens: 16,496 / 11,025 / 19,956lm
- Effective lumens: 10,275 / 7,826 / 13,269lm
- Candela: 1,105,100 / 302,740 / 945,300cd
- Colour temperature: 5700 / 5400 / 5700K

*LightFORCE*

LIGHTFORCE.COM

### OPTIONAL ACCESSORIES:

- Anti-theft kit (ATNSG2)
- Amber filter (BEAST230SA)
- Black DRL filter (BEAST230BC)
- Universal BEAST harness (LFDLHBEAST-U)

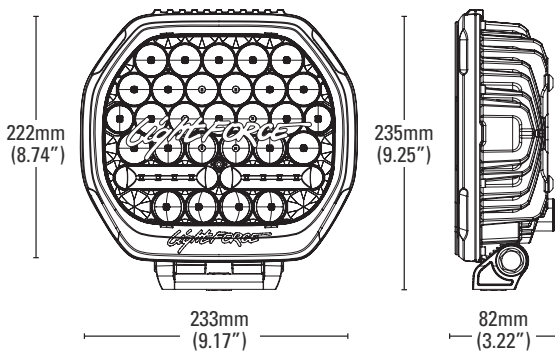
### KIT CONTENTS FOR A PAIR OF LIGHTS: (BEAST230PK)

- 2 x BEAST LED driving lights fitted with reversible mounting brackets
- 2 x Clear filters with Lightforce logo
- 2 x Black covers with Lightforce logo
- 2 x Matching BEAST harness adaptors
- 1 x User instructions

### KIT CONTENTS FOR A SINGLE LIGHT: (BEAST230X1)

- 1 x BEAST LED driving light fitted with reversible mounting bracket
- 1 x Clear filter with Lightforce logo
- 1 x Black cover with Lightforce logo
- 1 x Matching BEAST harness adaptor
- 1 x User instructions

### DIMENSIONS:



**SCAN THE CODE** to find out more about the extensive range of BEAST LED driving light products.

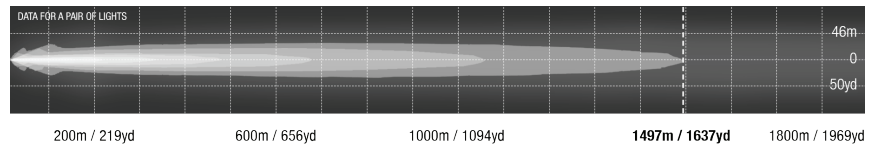
### KEY CERTIFICATIONS:

- IP69K ingress protection: protected from immersion, pressurised steam, and fine dust and powders.
- Runs 1.5m deep underwater for 1 hour with no leaks.
- Runs continuously between -40°C and 85°C. Survives temperature spikes up to 125°C.
- IK16 impact rated lens – survives a 400g rock hitting the lens at 100kph or a 1kg rock at 60kph.
- Survives a MIL-STD-810H 514.4 vibration and shock test, used for US military standard offroad vehicles.
- Resists 7 days of the IEC 60068-2-52 salt spray with no rust or damage to the coating.
- Electronics survive 200,000 power cycles and 10,000 hours continuous without failure.
- LEDs are use rated to 50,000 hours lifespan.
- Coating survives ASTM D3359 scratch test without peeling or lifting.
- Chemical resistant powder coat to UN ECE.R149, surviving petrol, brake fluid, and paint solvents.
- Lens endures UV and solar exposure to IEC 60068-2-5 standards.
- Immune to EM interference to UN ECE.R10 standards.
- Low radio emissions pass CISPR25 testing.
- All materials are non-hazardous and RoHS compliant.
- Compliant to all RCM and FTC requirements for AU/NZ and USA markets respectively.

### PHOTOMETRIC BEAM DATA:

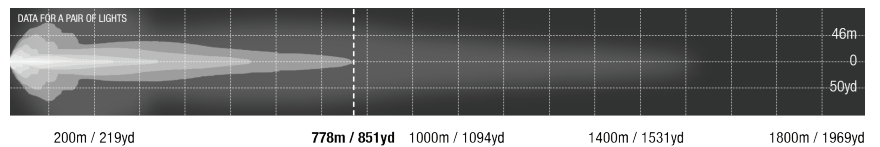
A pair of BEAST LED Driving Lights in **Spot** Beam Mode.

Beam distance 1 LUX @ 1497m / 1637yds. Beam width 60m / 66yds.



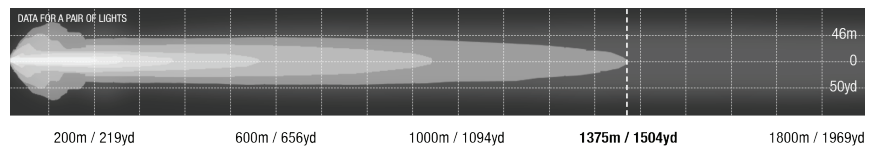
A pair of BEAST LED Driving Lights in **Flood** Beam Mode.

Beam distance 1 LUX 778m / 851yds. Beam width 140m / 153yds.



A pair of BEAST LED Driving Lights in **BEAST** Beam Mode.

Beam distance 1 LUX @ 1375m / 1504yds. Beam width 140m / 153yds.



National Association of Testing Authorities Accredited, Australia 2023.

Photometric testing performed by Photometric Solutions International Pty Ltd (PSI) Huntingdale VIC.

# LightFORCE®

LIGHTFORCE.COM

BEASTSPEC