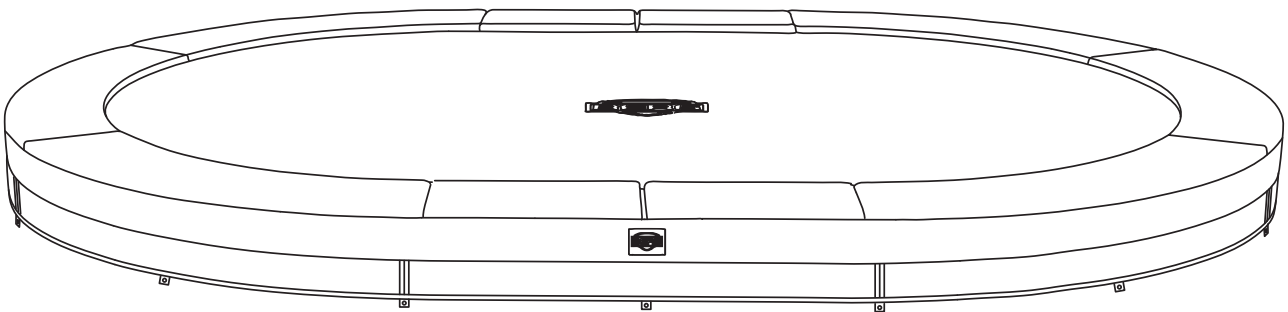




# BERG *GRAND* Champion InGround

User manual  
Mode d'emploi

age  
**6+**



30.34.15.70 - BERG Grand Champion InGround 17ft Green

## **WARNING**

Read the instructions prior to assembling and using this trampoline.  
Consult a physician before beginning any exercise program or strenuous activity.

## **WARNING**

MAXIMUM USER WEIGHT 265 lb (120kg)

## **WARNING**

The contents of this package is not suitable for children under 3 years of age. Contains small parts which may cause choking.  
**ADULT ASSEMBLY REQUIRED.**



## Index

1. Introduction
2. Product description
3. Warranty
  - 3.1 Warranty period
  - 3.2 Warranty conditions
4. Warnings - General Safety Advice
5. Assembly and installation instructions
6. Care and maintenance instructions
  - 6.1 Disassembly and storage
  - 6.2 Repairs
7. Use instructions
8. Jumping instructions
  - 8.1 Before you start jumping
  - 8.2 Jumping instructions
  - 8.3 Basic jumps
9. Installation instructions



## 1. Introduction

Thank you for choosing BERG as your trampoline purchase of choice. We are confident you will get many years of beneficial use and jumping pleasure.

This manual provides tips about assembly, safe use and jumping instructions for many years of trouble-free use. Jumping on a trampoline is not dangerous as long as you follow the safety instructions.

Trampoline usage encourages active and healthy play. It has a positive impact on stress, physical condition and blood circulation. Trampoline jumping is for the young and young at heart!

Read the instructions carefully and keep for future reference.

BERG wishes you a fun and active jumping experience!

## 2. Product description

- The frame of the BERG Trampoline is galvanized for corrosion protection.
- To ensure many years of enjoyment, The BERG trampoline is manufactured using high-quality materials-only. Proper maintenance and care promotes a long lifespan and injury prevention.



## 3. Warranty

### 3.1 Warranty period

- BERG trampolines are of excellent quality. To provide you with years of carefree fun on our trampolines, BERG offers you a functionality warranty. A functionality warranty is a warranty regarding its functional use. Please consult the table below for the term of this warranty (years).

Trampoline	Champion
Frame	10
Frame ( <i>after product registration</i> )	13 ( <i>10+3</i> )
Padding	2
Jump mat	2
Springs	5
Safety Net	2

- With exception to the 1 year warranty of the BERG weather cover basic, the BERG safety nets and accessories are subject to a warranty period of 2 years. Parts that are susceptible to wear and tear (eg. elastics), the influences of weather (eg. rust and discolouration) and the foam on the BERG safety net tubes are excluded from warranty.

### 3.2 Warranty conditions

The owner of the product can only claim warranty by presenting the original receipt of purchase. The warranty applies only to material and manufacturing defects related to the BERG product and related parts.

#### The warranty becomes nul and void if:

- The product is used improperly and / or negligently.
- The product is not assembled and maintained in accordance with the instruction manual.
- Technical repairs made to the product are not carried out in a professional manner.
- Replacement parts do not correspond to the technical specifications of the product in question or are installed incorrectly.
- Damage caused by the influences of weather such as rust, UV rays or normal wear and tear.
- The product is used for rental purposes or made available for usage by a 3rd party.
- During the warranty period, all material and construction assessed faults will be repaired or replaced by BERG. Repairs handled at no cost is applicable provided the product is still within its warranty period as stated in article 3.1.
- BERG warranty can only be honored if inspected by a BERG authorized dealer.
- BERG warranty can only be honored if the original proof of purchase is rendered to the BERG authorized dealer. Should the owner have re-located or the BERG dealer is no longer operational, BERG can recommend an alternative BERG dealership.
- If the warranty claim is not honored, all costs incurred must be paid by the owner.
- This warranty is not transferable to third parties.
- Not other Warranty beyond that specifically set forth above is authorized by BERG.
- BERG Toys is not responsible or liable for indirect, special or consequential damages arising out of or in connection with the use or performance of the product or other damages with respect to any economic loss, loss of property, loss of revenue or profits, loss of enjoyment or use, cost of removal, installation or other consequential damages.
- Some States do not allow the exclusion or limitation of incidental or consequential damages.



# BERG Grand Champion InGround

EN

- Accordingly, the above limitation may not apply to you.
- The warranty extended hereunder is in lieu of all other warranties and BERG specifically disclaims any implied warranty of merchantability or fitness for a particular purpose is limited in its scope and duration to the terms set forth herein.
- Some States do not allow limitation on how long an implied warranty lasts.
- Accordingly, the above limitation may not apply to you.
- This warranty gives you specific legal rights. You may also have other rights, which vary from state to state.

## **Liability Disclaimer**

- While every attempt is made to embody the highest degree of protection in all equipment, we cannot guarantee freedom from injury. The user assumes all risk of injury due to use, assembly, or transportation. All merchandise is sold on this condition, which no representative of the company can waive or change.



## READ THIS FIRST!!!



### WARNING

**Choking hazard - small parts  
NOT for children under 3 years**

---

While every attempt is made to ensure the highest degree of protection in all equipment, we cannot guarantee freedom from injury.

All merchandise is sold on this condition, which no representative of the company can waive or change.

## 4. Warnings - General Safety Advice

### IMPORTANT - PLEASE READ!

- Ensure the trampoline has been assembled correctly, per the instructions in the manual.
- It is essential that the intended site for this trampoline is completely flat and level. If the ground is not flat and level this will cause movement in the frame and could cause stress on the joined sections
- This trampoline is only recommended for use by children 6+ years of age.
- Do not exceed the recommended maximum weight limit of:



- Do not allow more than one person on the trampoline. Use by more than one person at the same time can result in serious injury.
- Do not attempt or allow somersaults. Landing on the head or neck can cause serious injury, paralysis, or death, even when landing in the middle of the bed.
- Use trampoline only with mature, knowledgeable supervision.
- Not suitable for children under 36 months. Fall Hazard.
- Do not wear glasses or helmets when using the trampoline.
- Do not allow other person to go under, sit, stand, or lie on the trampoline or the frame pads while the trampoline is in use.
- Do not use the trampoline when under the influence of alcohol, drugs or medication which may impair the jumper's judgement and coordination.
- Always wear socks when using the trampoline.
- Always remove jewellery, belt buckles or any other sharp objects before using the trampoline.
- Always jump in the middle of the trampoline bed.
- Always follow the safety warnings stated with your trampoline instructions.
- Always secure the trampoline against unauthorized and unsupervised use.
- Never wear footwear (e.g. shoes) when using the trampoline.
- Children must never be left unattended at any time.
- Before using this product, inspect and replace any worn, defective or missing parts.
- Ensure the trampoline is on level ground with a minimum of 8 feet (2,5m) clear space around the sides, 24 feet (8m) clear height space above and that no obstructions are under the trampoline.
- Always watch for power lines, overhead cabling, and other hazards or obstructions above, around and below the location where you are installing your trampoline. Failure to do so can result in serious injury, death, and property damage for which BERG is not liable.



## IMPORTANT - PLEASE READ!

- We recommend using the enclosure of the correct type with the BERG trampolines.
- Any alterations to the construction or materials of this enclosure or deviations from the assembly instructions may result in unforeseeable safety compromises, and the consumer assumes all responsibility for doing so.
- Always ensure the entrance to be fully closed and secure before jumping on the trampoline.
- Always enter and exit the enclosure through the opening only. Use caution to prevent falls and / or accidental strangulation.
- Never attempt to crawl under or climb over the safety net or enter/ exit the enclosure area.
- If the netting material, or any other part of the enclosure becomes damaged, cease using the trampoline immediately until you obtain the necessary replacement parts.
- This safety net and enclosure is only intended to help prevent accidental falls from the trampoline bed / mat, and then only during recommended jumping exercises as described in the BERG trampoline manuals.
- Never attempt to rebound off, swing or hang from the safety net or enclosure poles, nor intentionally attempt to jump into or over the netting, as this may result in serious injury, paralysis or death and severe damage to the enclosure and trampoline. BERG is not responsible for any damage to the trampoline and enclosure or consequential injuries resulting from these practices.
- Never let children take items or toys into the enclosure.
- Always remove jewellery, belt buckles or any other sharp objects before using the enclosure.
- Never wear loose fitting clothing, items, or articles with hooks, loops or any features which can easily become snagged in the safety net.
- Mount and dismount from the trampoline and enclosure with care as injury may result. Children should be assisted when entering and exiting the trampoline to reduce risk of falling.
- The frame of your trampoline is made of steel and it will conduct electricity. No electrical equipment (lights, heaters etc.) should be permitted on or around the trampoline under any circumstance.
- Please read and refer to other warnings and use information in the trampoline instructions before use.
- Dispose of all packaging materials safely and per local ordinance.
- It is possible for the trampoline and safety net to be blown away by high wind. If you anticipate high winds, the trampoline and safety net should be moved to a sheltered location or disassembled. BERG is not responsible for any damage resulting from wind or extreme weather.
- We recommend to use the anchor kit which is available at BERG.





## 5. Assembly and installation instructions

- Adequate overhead clearance is essential. A minimum of 24ft (8m) from ground level is recommended. Provide clearance of wires, tree limbs, and other possible hazards.
- Lateral clearance is essential. Place the trampoline away from walls, structures, fences and other play areas. Maintain a clear space on all sides of the trampoline.
- Ensure the BERG trampoline is level after installation. A bubble level is recommended to help qualify.
- Use the trampoline in a well-lit area. Artificial illumination may be required for shady areas.
- Secure the trampoline against unauthorized and unsupervised use.
- Remove any obstructions from beneath the trampoline.
- The owner and supervisors of the trampoline are responsible to make all users aware of practices specified in the use instructions.
- Do not install the trampoline in extreme windy conditions. Wait until wind subsides.
- Gloves are recommended to be worn while installing the BERG trampoline.
- The trampoline should be assembled by an adult in accordance with the assembly instructions. BERG recommends reviewing final assembly prior to usage.
- For installation instructions, refer to page 26.
- For additional trampoline information, contact the manufacturer.
- Install accessories according to the installation manual / guide.
- Location: Find a suitable place for the installation of the trampoline ensuring there are no surrounding obstacles. Verify soil condition and characteristics of designated location to determine installation suitability.
- While digging the hole, soil should be firm to avoid collapsing due to erosion. If necessary, strengthen the sides of the hole or make them smooth to prevent this.
- Should the soil hinder digging a hole, best to choose another location or consult a professional excavation company to provide consultation.
- The dug hole should not accumulate water.
- Verify if a high ground-water level does not contribute to a collection of water in the hole. In addition, verify there is adequate drainage to dispose rain water.
- As per the diagram in the installation manual, use the included tape measure (located in the packaging) to measure and determine the correct diameter, depth and shape of the dug hole.
- Ensure the hole will be dug according to specifications and that the walls are shaped not too steep.
- Deviation from hole specifications can result in unwanted wall collapse and trampoline instability. Follow the diagrams as presented in the installation manual, step by step.
- The legs of the trampoline support the trampoline frame. Ensure the position of the legs are equal in height and rest firmly on the ground. Anchor the legs with the supplied stakes.
- Inspect the hole underneath the trampoline periodically. (Minimum once a year) and if required, take corrective measures. As specified in the installation manual, inspect the hole for:
  - Proper depth.
  - Proper shape.
  - Frame stability and uniformity.
  - Unwanted objects.
- After a rainy period and prior to usage, inspect the trampoline hole. Ensure there is adequate drainage to dispose of rain water.

## 6. Care and maintenance instructions

- Inspect the trampoline before each use and replace any worn, defective, or missing parts. The following conditions could represent potential hazards:
  - 1) Missing, improperly positioned, or insecurely attached frame padding
  - 2) Punctures, frays, tears, or holes worn in the bed or frame padding
  - 3) Deterioration in the stitching or fabric of the bed or frame padding
  - 4) Ruptured springs
  - 5) A bend or broken frame
  - 6) A sagging bed, or
  - 7) Sharp protrusions on the frame or suspension system.
- Ignoring inspections and neglecting maintenance can lead to dangerous situations and unnecessary risks for the user.
- Should the trampoline require movement to another current location (short distance), disassemble the anchors (if any) first prior to relocation. It is recommended the trampoline be lifted via the top rails by 3 adults. Should the trampoline require relocation over a greater distance, it is recommended to disassemble the trampoline parts, re-pack and assemble again at the new location.
- Strong winds and gusts can result in displacement of the trampoline. BERG recommends securing the trampoline by use of anchors or sandbags and removal of the safety net and jump mat.
- In certain areas during the winter period, snow loads and low temperatures can damage the trampoline. BERG recommends storing the jump mat and safety net indoors during these climate conditions.
- Ensure a secure and safe environment when the trampoline is not in use. Protect it against unauthorized use. When a trampoline ladder is used, remove when left unattended. This to ensure no access for children without supervision.
- The use of fertilisers (artificial fertiliser, fertiliser pellets, etc.) within a radius of 2 metres around the BERG trampoline is prohibited. Using such products can cause components to rust.
- The jump mat and padding can be cleaned with a cloth and cold water. NEVER use solvents, dishwashing liquid, detergent or hot water.

### 6.1 Disassembly and storage

- If the trampoline is not used for short periods of time and to avoid jump mat debris caused by fallen leaves and twigs, BERG recommends usage of a BERG Weather Cover. When the trampoline is not used for a longer period of time (e.g. during the winter) BERG recommends storing the trampoline, especially the protective padding, in a dry area to support product longevity.

### 6.2 Repairs

- Contact our BERG authorized dealers for ordering original parts for the BERG trampoline.
- For safety reasons, unless BERG-approved, modifications or changes to the trampoline is prohibited. Repairs must be carried out by a professional. Please consult your BERG dealer.

## 7. Use instructions

### **WARNING:**

- Do not attempt or allow somersaults. Landing on the head or neck can cause serious injury, paralysis, or death, even when landing in the middle of the bed.
- Do not allow more than one person on the trampoline. Use trampoline only with mature, knowledgeable supervision.
- This trampoline is only recommended for use by children over 6 years of age.
- Inspect the trampoline before each use. Make sure the frame padding is correctly and securely positioned. Replace any worn, defective, or missing parts.
- Make sure the frame padding is correctly and securely positioned.
- Climb on and off the trampoline. It is a dangerous practice to jump from the trampoline to the floor or ground when dismounting, or to jump onto the trampoline when mounting. Do not use the trampoline as a springboard to other objects.
- Stop bounce by flexing knees as feet come in contact with the trampoline bed. Learn this skill before attempting others.
- Learn fundamental bounces and body positions thoroughly before trying more advanced skills. A variety of trampoline activities can be carried out by performing the basic fundamentals in various series and combinations, performing one fundamental after another, with or without feet bounces between them.
- Avoid bouncing too high. Stay low until bounce control and repeated landing in the center of the trampoline can be accomplished. Control is more important than height.
- While keeping the head erect, focus eyes on the trampoline toward the perimeter. This will help control bounce.
- Avoid bouncing when tired. Keep turns short.
- Properly secure the trampoline when not in use. Protect it against unauthorized use. If a trampoline ladder is used, the supervisor should remove it from the trampoline when leaving the area to prevent unsupervised access by children under 6 years.
- Do not use or stand near the trampoline in windy or gusty conditions. A trampoline can become airborne when exposed to sustained wind or gusting wind conditions. This can result in serious injury, paralysis, or death, as well as property damage. To reduce these risks, disassemble the trampoline and enclosure and store them until weather conditions improve. Anchoring a trampoline frame may prevent the trampoline from moving as a result of the wind, but even anchored trampolines can become airborne or damaged. Consult a qualified contractor to determine what type of anchor works best in your location.
- Keep objects away which could interfere with the performer. Maintain a clear area around the trampoline.
- Do not use the trampoline while under the influence of alcohol or drugs.
- For additional information concerning the trampoline equipment, contact the manufacturer.
- For additional information concerning skill training, contact a certified trampoline instructor.
- Bounce only when the surface of the bed is dry. Wind or air movement should be calm to gentle. The trampoline must not be used in gusty or severe winds.
- Read all instructions before using the trampoline. Warnings and instructions for the care, maintenance, and use of this trampoline are included to promote safe, enjoyable use of this equipment.
- The BERG trampoline is for outdoor use only.
- Jump without shoes.
- Empty pockets and hands before jumping.
- Always jump in the middle of the jump mat.
- Do not eat while jumping.
- Do not use the jump mat when it is wet.
- Do not use in strong wind conditions and secure the trampoline.



## 8. Jumping instructions

### 8.1 Before you start jumping

- Objects, animals or persons are prohibited underneath the BERG trampoline.
- Only use the BERG trampoline when it is clean and dry.
- Objects and other obstacles that can interfere with jumping should be prohibited from the jumping area.

### 8.2 Jumping instructions

- Do not enter or leave the trampoline by jumping.
- Proper movement while using the BERG trampoline requires good posture. Correct posture and balance are achieved by tensing the muscles.
- Good posture ensures safe usage of the BERG trampoline. When jumping, the body is exposed to shocks that require correct absorption. By tensing your muscles, you obtain better control over your balance and this results in more jumping resilience. In contrast, a more relaxed posture leads to loss of energy and jumping resilience. Begin with the basic jumps and jumping positions and only increase complexity when mastered. To come to a stop position when jumping, bend knees when your feet touch the mat.
- Always jump in the middle of the mat. Avoid jumping on mat edge and trampoline padding.
- To come to a stop position when jumping, bend and flex knees when your feet touch the mat. Learn this skill before attempting others.
- Learn fundamental bounces and body positions thoroughly before trying more advanced skills. A variety of jumping techniques can be carried out solo or in series and/or combinations between bounces.
- Avoid bouncing too high. First obtain jumping control with proper landing position in middle of mat. From a safety perspective, control is more important than height.
- To ensure and maintain control while jumping, ensure jumping posture is straight, head is in upright position and eyes are focused on the jump mat.
- Movements that cause considerable friction (such as a “sliding” action) on the printing on the jumping mat or the padding are not recommended. Heavy friction when sliding over the printing on the jumping mat or the padding could result in the ink rubbing off onto skin or clothing. It may be difficult to remove the ink from clothing. The ink meets the stringent chemical requirements imposed on toy products, therefore contact with the skin or ingestion of this ink has no harmful effects on human health.

## 8.3 Some basic jumps

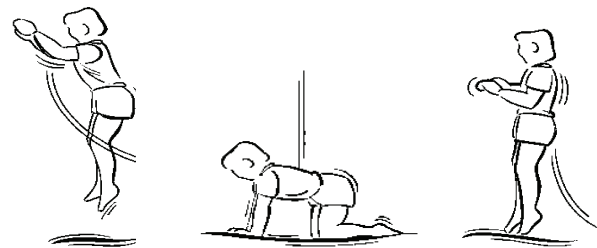
### *Basic bounce*

Upright position, head held in upright position. Eyes focused on the jump mat. While jumping upwards, swing arms forward and in circular motion and point your toes downwards. Keep feet positioned together, toes pointed downwards when returning back to the jump mat. When landing on the jump mat, keep your feet approximately 16 inches (40cm) apart.



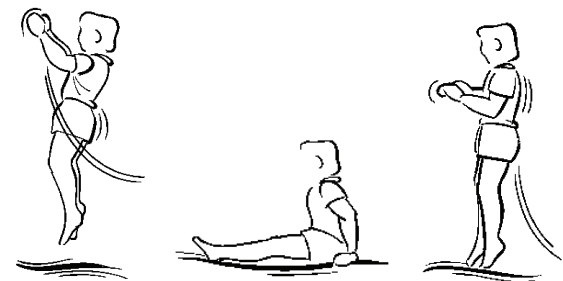
### *Hands and knees bounce*

Commence with basic bounce. Keep eyes focused on jump mat. Swing arms forward and in circular motion. Land on hands and knees. Push off with hands and return to upright position.



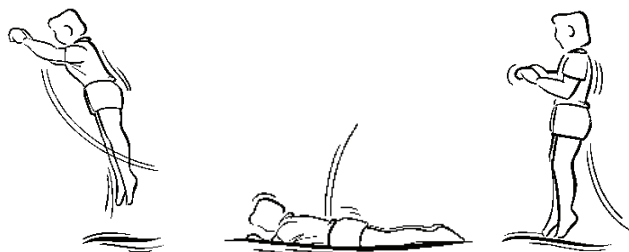
### *Seat drop*

Commence with basic bounce. Keep eyes focused on jump mat. Land in sitting position. Place hands next to hips on jump mat when in sitting position. Push off with hands and return to upright position.



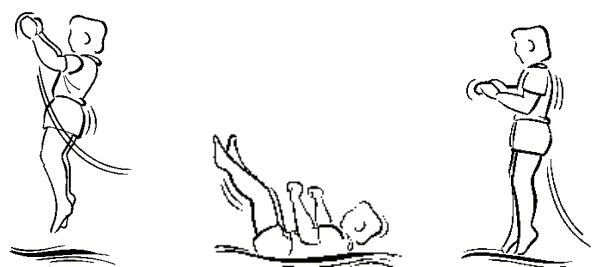
### *Front bounce*

Commence with basic bounce and land on your stomach. Keep head straight. Keep arms extended forward on the jump mat. Push off with hands and return to upright position.



### *Back drop*

Commence with basic bounce and land on your back. Keep chin pressed against your chest during landing. Kick forward and up with legs when returning to a standing position.



## Index

1. Introduction
2. Description du produit
3. Garantie
  - 3.1 Période de garantie
  - 3.2 Conditions de garantie
4. Avertissement - Conseil général de sécurité
5. Instructions de montage et installation
6. Instructions d'entretien et maintenance
  - 6.1 Démontage et rangement
  - 6.2 Réparations
7. Instructions d'utilisation
8. Instructions de saut
  - 8.1 Avant de commencer à sauter
  - 8.2 Instructions de saut
  - 8.3 Quelques sauts de base
9. Instructions d'installation



## 1. Introduction

Merci d'avoir opté pour un trampoline BERG. Nous sommes convaincus que vous en profiterez durant de nombreuses années et que vous vous amuserez à y effectuer de nombreuses prouesses.

Ce guide contient des conseils qui vous aideront pour le montage et garantiront une utilisation sûre et efficace de votre trampoline, de même que des astuces pour des sauts en toute sécurité, et ce pour de nombreuses années. Il n'est pas dangereux de sauter sur un trampoline tant que vous respectiez les consignes de sécurité.

L'usage d'un trampoline à pour dit un divertissement actif et sain. En effet, le trampoline influence positivement tout état de stress, la condition physique ainsi que la circulation sanguine.

Le trampoline est spécialement conçu pour les jeunes... mais aussi les jeunes d'esprit !

Lire attentivement les consignes et conserver le manuel pour usage ultérieur.

BERG vous souhaite du plaisir et des sauts dans tous les sens !

## 2. Description du produit

- Le cadre du trampoline BERG est en acier galvanisé et enrobé, ce qui la protège de la corrosion.
- Le trampoline est fabriqué uniquement avec des matériaux de qualité supérieure, ce qui lui garantit une longue durée de vie au service de votre divertissement. Un entretien et des soins adéquats prolongeront sa durée de vie et limiteront tout risque de blessure.

## 3. Garantie

### 3.1 Période de garantie

- Les trampolines BERG sont d'excellente qualité. Pour que vous puissiez profiter de nombreuses années de votre achat sans le moindre souci, BERG vous propose une garantie sur son fonctionnement. Cette garantie couvre en effet son usage fonctionnel. Veuillez vous reporter au tableau ci-après pour la durée de cette garantie (années).

Trampoline	Champion
Cadre	10
Cadre ( <i>après enregistrement du produit</i> )	13 (10+3)
Coussin de protection	2
Toile de saut	2
Ressorts	5
Filet de protection	2

- À l'exception de la garantie de 1 an pour la housse de protection de base de BERG, les filets de sécurité et les accessoires BERG sont couverts par une garantie de 2 ans. Les pièces exposées à l'usure habituelle (par ex., les élastiques), l'influence des conditions climatiques (par ex., la rouille et la décoloration) et la mousse sur les tubes du filet de sécurité BERG sont exclus de la garantie.

### 3.2 Conditions de garantie

Le propriétaire du produit peut faire valoir la garantie du produit uniquement s'il est en mesure de présenter la preuve d'achat originale. La garantie couvre uniquement les défauts matériels et de fabrication liés au produit BERG et aux pièces connexes.

#### La garantie sera considérée comme nulle et non avenue si:

- Le produit n'est pas utilisé dans le respect des consignes et/ou avec négligence.
- Le produit n'est pas monté et entretenu conformément aux consignes du présent manuel.
- Les réparations techniques effectuées sur le produit ne sont pas professionnelles.
- Les pièces de rechange ne correspondent pas aux spécifications techniques du produit en question ou si elles ne sont pas installées correctement.
- Les dommages causés par l'influence des conditions climatiques, notamment la rouille, le rayonnement UV ou l'usure normale.
- Le produit est utilisé à des fins locatives ou mis à la disposition d'un tiers.
- Durant la période de garantie, les matériaux défectueux ou les défauts de construction évalués seront réparés ou remplacés par BERG. Les réparations seront gratuites à condition que le produit soit toujours couvert par la garantie tel que stipulé à l'article XX.
- La garantie de BERG peut être appliquée exclusivement par un distributeur BERG agréé.
- La garantie de BERG peut être appliquée exclusivement si la preuve originale d'achat est remise au distributeur BERG agréé. Si le propriétaire a déménagé ou si le distributeur BERG n'est plus en fonction, BERG peut en recommander un autre.
- Si les conditions de garantie ne sont pas remplies, tous les frais encourus seront pris en charge par le propriétaire.
- Cette garantie n'est pas cessible à une tierce partie.
- Aucune autre garantie que celle qui est définie aux présentes ne sera autorisée par BERG.
- BERG Toys ne saurait être tenue responsable ou redevable des dommages indirects,



particuliers ou ultérieurs découlant de ou en rapport avec l'utilisation du produit, ni d'autres préjudices, notamment des pertes financières, une perte de propriété, une perte de revenu ou de bénéfices, une déchéance de jouissance ou d'utilisation, les frais de déplacement, d'installation ou tout autre dommage ultérieur qui serait occasionné.

- Certains États n'autorisent pas l'exclusion ni la restriction des dommages indirects ou accessoires.
- Par conséquent, les restrictions ou exclusions précédentes peuvent ne pas s'appliquer.
- L'extension de garantie prévue aux présentes prévaut sur toutes les autres garanties et BERG déclare expressément n'accorder aucune garantie, notamment de garantie implicite de convenance à un usage particulier, que de manière limitée dans son champ d'application et endéans la durée des termes définis aux présentes.
- Certains États n'autorisent pas la restriction portant sur la durée de la garantie implicite.
- Par conséquent, les restrictions ou exclusions précédentes peuvent ne pas s'appliquer.
- La présente garantie vous confère des droits légaux spécifiques. Il est possible que vous jouissiez d'autres droits, selon les états.

### **Clause de non-responsabilité**

- Nous mettons tout en œuvre pour vous garantir une sécurité maximale dans le cadre de l'utilisation de votre produit. Nous ne pouvons cependant pas garantir l'absence de préjudice physique. L'utilisateur assumera tous les risques liés à l'utilisation, au montage ou au transport du produit. La marchandise est vendue dans son état actuel. Aucun représentant de l'entreprise ne peut le modifier ni s'y soustraire.

## LIRE PRÉALABLEMENT CECI!!!



### AVERTISSEMENT

**Risque d'étouffement - petites pièces  
NE convient PAS aux enfants de moins de 3 ans**

---

Nous mettons tout en œuvre pour vous garantir une sécurité maximale dans le cadre de l'utilisation de votre produit. Nous ne pouvons cependant pas garantir l'absence de préjudice physique.

La marchandise est vendue dans son état actuel.  
Aucun représentant de l'entreprise ne peut le modifier ni s'y soustraire.

## 4. Avertissement - Conseil général de sécurité

### IMPORTANT - À LIRE !

- S'assurer que le trampoline est monté correctement, selon les consignes du présent manuel.
- Il est impératif que le sol sous le trampoline soit entièrement plat et à niveau. Un sol qui n'est pas plat ni à niveau peut entraîner un mouvement dans l'armature et provoquer un stress sur les raccords.
- Le plateau de ce trampoline s'élève à 1 pied 5 pouces (51 cm). Il est exclusivement conseillé aux enfants de 6 ans minimum.
- Ne pas dépasser la limite de poids maximale recommandée de:



- Une seule personne sur le trampoline. La présence simultanée de plusieurs personnes sur le trampoline pourrait entraîner un risque sérieux de blessure.
- Pas de sauts périlleux. Une chute sur la tête ou la nuque pourrait entraîner un risque de blessure sévère, la paralysie voire le décès, même en cas d'atterrissage au milieu du tapis.
- Utiliser le trampoline uniquement sous la supervision d'un adulte responsable et digne de confiance.
- Ne convient pas aux enfants de moins de 36 mois. Risque de chute.
- Ne pas porter de lunettes ou de casque sur le trampoline.
- Ne pas autoriser la présence d'une personne sous le trampoline, ni assise, debout ou couchée sur le trampoline ni sur le rembourrage de l'armature pendant l'utilisation.
- Ne pas utiliser le trampoline sous l'influence de l'alcool, de drogues ou de médicaments, ce qui pourrait affecter le jugement et la coordination des gestes de l'utilisateur.
- Toujours porter des chaussettes.
- Ôter les bijoux, les boucles de ceinture/ceinturons ou tout autre objet tranchant avant utilisation.
- Toujours sauter au milieu du tapis.
- Observer impérativement les avertissements de sécurité accompagnant les consignes.
- Protéger systématiquement le trampoline de toute utilisation non autorisée ou en l'absence de surveillance.
- Ne pas porter de chaussures.
- Ne jamais laisser les enfants sans surveillance.
- Avant utilisation, inspecter et remplacer toute pièce usée, défectueuse ou manquante.
- Veiller à placer le trampoline à niveau en laissant autour un espace de minimum 8 pieds (2,5 m), une hauteur libre de 24 pieds (8 m). Aucun objet susceptible de bloquer le trampoline ne doit se trouver en dessous.
- Lors de l'installation du trampoline, veiller à vérifier la surface et à la dégager de tout câble électrique, câble aérien ou tout autre danger ou obstacle, autour, au-dessus et en-dessous, et ce afin d'éviter tout risque de blessure sévère, décès ou dégâts sur le produit. Le cas échéant, BERG ne saurait être tenue responsable.

## IMPORTANT - À LIRE !

- Nous recommandons d'utiliser l'armature adéquate et compatible avec les trampolines BERG.
- Toute modification apportée à la structure ou aux matériaux de cette enceinte qui ne respecterait pas les consignes de montage pourrait compromettre la sécurité du produit de manière imprévisible. Le cas échéant, le consommateur en assumera l'entière responsabilité.
- Toujours fermer l'accès entièrement et le sécuriser avant de sauter sur le trampoline.
- Pénétrer et quitter l'enceinte uniquement par la zone d'accès. Observer la plus grande prudence afin d'éviter tout risque de chute et/ou de strangulation accidentelle.
- Ne jamais essayer de ramper sous, ou de grimper par-dessus le filet de sécurité pour entrer dans l'enceinte ou la quitter.
- Si le matériau composant le filetage, ou toute autre pièce de l'enceinte, devait être endommagé, interrompre immédiatement l'utilisation du trampoline jusqu'au remplacement des pièces.
- Ce filet de sécurité et l'enceinte servent uniquement à prévenir toute chute accidentelle du trampoline, et donc, exclusivement dans le cadre de l'utilisation du trampoline prévue par BERG, selon les consignes du manuel.
- Ne jamais essayer de rebondir au-delà du filet de sécurité, ni de s'y balancer ou de s'y pendre, ni même aux poteaux de l'enceinte. Ne pas essayer non plus de sauter intentionnellement par-dessus ou sur le filetage. Le cas échéant, l'utilisateur risquerait une blessure sévère, la paralysie voire le décès, de même que le trampoline et son enceinte pourraient être sérieusement endommagés. BERG ne saurait être tenue responsable des dommages occasionnés au trampoline et à son enceinte ni de blessures ultérieures résultant de ces pratiques.
- Empêcher les enfants d'emporter des objets ou des jouets dans l'enceinte.
- Ôter systématiquement les bijoux, les boucles de ceinture/ceinturons ou tout autre objet tranchant avant de pénétrer dans l'enceinte.
- Ne jamais porter de vêtements amples, d'objets ou d'articles comportant des crochets, des anneaux ou tout autre élément pouvant se prendre facilement dans le filet de sécurité.
- Monter et démonter délicatement le trampoline et son enceinte afin d'éviter tout risque de blessure. Les enfants doivent être accompagnés pour entrer et sortir du trampoline afin de limiter les risques de chute.
- L'armature du trampoline est fabriquée en acier. C'est un conducteur électrique. Aucun équipement électrique (éclairage, chauffages, etc.) ne doit jamais se trouver dessus ou à proximité.
- Lire et se reporter aux autres avertissements, et utiliser les informations contenues dans les consignes du trampoline avant son utilisation.
- Jeter les emballages prudemment et dans le respect de la législation locale.
- Il est possible que le trampoline et le filet de sécurité soient déplacés en cas de vents forts. Si les prévisions météorologiques vont en ce sens, le trampoline et le filet de sécurité doivent être mis à l'abri ou démontés. BERG ne saurait être tenue responsable en cas de dégâts occasionnés par le vent ou des conditions climatiques extrêmes.
- Nous recommandons l'usage d'un kit d'ancrage disponible auprès de la marque BERG.

## 5. Instructions de montage et installation

- Un espace suffisant au-dessus de la tête est essentiel. Un minimum de 24 pieds (8 m) au-dessus du niveau du sol est recommandé. Écarter les câblages électriques, les branches d'arbres ainsi que tout autre danger potentiel.
- L'espace latéral doit être libre de toute entrave. Placer le trampoline à distance des murs, des structures, des barrières et de toute autre aire de jeu. Un espace suffisant autour du trampoline est essentiel.
- Veiller à mettre le trampoline BERG à niveau après l'installation. Nous recommandons l'utilisation d'un niveau à bulles.
- Placer le trampoline dans une zone bien éclairée. Un éclairage artificiel peut s'avérer nécessaire pour les zones ombragées.
- Protéger systématiquement le trampoline de toute utilisation non autorisée ou en l'absence de surveillance.
- Éloigner tout obstacle se trouvant en-deçà du trampoline.
- Il incombe au propriétaire et aux superviseurs du trampoline d'informer les utilisateurs des pratiques renseignées dans les consignes d'utilisation.
- Ne pas installer le trampoline dans des conditions venteuses extrêmes. Attendre que le vent tombe.
- Il est conseillé de porter des gants pour installer le trampoline BERG.
- Le trampoline doit être monté par un adulte conformément aux consignes accompagnant le produit. BERG recommande la vérification du montage final avant utilisation.
- Zone géographique : Trouver un endroit approprié pour l'installation du trampoline en s'assurant qu'il n'y a pas d'obstacles environnants. Vérifier l'état du sol et les caractéristiques du lieu désigné pour déterminer la pertinence de l'installation.
- Le sol doit être ferme pour que le trou ne s'effondre pas à cause de l'érosion rapide du sol. Renforcez si nécessaire les parois du trou ou lissez-les pour éviter son effondrement.
- Si le sol est trop dur à creuser un trou, il est mieux de choisir un autre emplacement, ou consulter une entreprise d'excavation professionnel.
- Le trou creusé ne doit pas contenir l'eau. Vérifier si un niveau de nappe haute ne contribue pas à une collection d'eau dans le trou.
- Vérifiez en outre, il y a un drainage adéquat pour éliminer l'eau de pluie.
- Selon le schéma de la notice d'installation, utilisez le ruban à mesurer inclus (situé dans l'emballage) pour mesurer et déterminer le correcte diamètre, la profondeur et la forme du trou creusé.
- Assurez-vous que le trou sera creusé selon les spécifications et que les murs sont en forme et pas trop raide.
- Déviation des particularités de l'orifice peut entraîner l'instabilité effondrement et de trampoline non désirés. Suivez les schémas du manuel d'installation, étape par étape.
- Les pieds du trampoline supportent l'armature du trampoline. Assurez-vous que les pieds sont au même niveau, et fermement sur le sol. Ancrer les pieds avec les ancrés inclus.
- Pour les consignes d'installation, voir page 26.
- Pour toute information supplémentaire à propos du trampoline, contacter le fabricant.
- Monter les accessoires en suivant le manuel/le guide d'installation.
- Le propriétaire doit placer une vignette contenant les consignes d'utilisation à un endroit nettement visible et sûr. Le vendeur/le fabricant a l'obligation de fournir cette vignette au moment de la vente.
- La vignette doit être visible, résistante et apparaître en permanence. Les couleurs la composant resteront stables et son lettrage lisible. Il conviendra de tenir compte de la durée de vie estimée du trampoline et de l'environnement au sein duquel il sera placé.
- Inspecter régulièrement le trou sous le trampoline. (au moins 1 x par an) et prendre des mesures correctives si nécessaire. Comme indiqué dans le guide d'installation, vérifiez le trou sur:
  - Profondeur correcte
  - Forme correcte
  - La stabilité du cadre et si le trampoline est encore au niveau
  - objets et supprimez-le
- Inspecter le trou sous le trampoline après une période de pluie. Prendre soin de bon drainage évacuer l'eau.

## 6. Instructions d'entretien et maintenance

- Inspecter le trampoline avant chaque utilisation et remplacer les pièces usées, défectueuses ou manquantes. Les conditions suivantes peuvent entraîner un risque de danger:
  - 1) Le coussin de protection est manquant, mal monté ou n'est pas correctement fixé.
  - 2) Perforations, usures, trous ou déchirures dans le tapis ou la cadre du trampoline.
  - 3) Détérioration de l'une des coutures ou du tissu du tapis ou l'armature du trampoline.
  - 4) Ressorts cassés.
  - 5) Armature cassée ou pliée.
  - 6) Relâchement du tapis
  - 7) Protubérances pointues sur l'armature ou le système de suspension.
- Négliger les inspections et la maintenance du trampoline pourrait entraîner un risque de danger inutile pour l'utilisateur.
- Si le trampoline doit être déplacé à un autre endroit (courte distance), démonter les points d'ancrage (le cas échéant) avant de procéder. Il est recommandé de soulever le trampoline par les rails supérieurs. Si possible prévoir la présence de 3 adultes. Si le trampoline doit être déplacé sur une distance plus importante, il est recommandé de le démonter, de le remballer et ensuite de le remonter à l'endroit désigné.
- Des vents forts et des bourrasques pourraient déplacer le trampoline. BERG recommande de sécuriser le trampoline au moyen de points d'ancrage ou de sacs de sable, et de retirer le filet de sécurité ainsi que le tapis.
- En hiver, dans certaines régions, d'importantes chutes de neige ou des températures particulièrement basses risquent d'endommager le trampoline. Le cas échéant, BERG conseille de ranger le tapis et le filet de sécurité à l'intérieur.
- Hors utilisation, veiller à ranger le trampoline dans un endroit sûr et sécurisé. Le protéger de toute utilisation non autorisée. Si le trampoline s'accompagne d'une échelle, la retirer en cas d'absence, afin d'empêcher un enfant d'y accéder sans surveillance.
- L'utilisation de fertilisants (fertilisant artificiel, granulés, etc.) dans un rayon de 2 mètres autour du trampoline BERG est interdite. En effet, ces produits risquent de favoriser l'apparition de rouille sur les composants du produit.
- Le tapis et le rembourrage se nettoient au moyen d'un chiffon et avec de l'eau froide. NE JAMAIS utiliser de solvants, de liquide vaisselle, de détergent ou de l'eau chaude.

### 6.1 Démontage et rangement

- Si le trampoline n'est temporairement pas utilisé, et afin d'éviter l'accumulation de débris, notamment les feuilles mortes et les brindilles, BERG conseille l'usage de la Housse de protection BERG. Si le trampoline n'est pas utilisé durant une période prolongée (par ex., en hiver), BERG conseille de le ranger, en particulier le tapis de protection, dans un endroit sec afin de favoriser la longévité du produit.

### 6.2 Réparations

- Contacter nos distributeurs BERG agréés si vous souhaitez commander des pièces d'origine propres au trampoline BERG.
- Pour des raisons de sécurité, toute modification apportée au trampoline BERG est interdite, à moins qu'elle n'ait été dûment autorisée par BERG. Les réparations doivent être effectuées par un professionnel. Consulter votre distributeur BERG.

## 7. Instructions d'utilisation

### AVERTISSEMENT:

- Pas de sauts périlleux. Une chute sur la tête ou la nuque pourrait entraîner un risque de blessure sévère, la paralysie voire le décès, même en cas d'atterrissage au milieu du tapis.
- Une seule personne sur le trampoline. Utiliser le trampoline uniquement sous la supervision d'un adulte responsable et digne de confiance.
- Ce trampoline est adapté aux enfants de 6 ans minimum.
- Inspecter le trampoline avant chaque utilisation. Veiller à ce que le coussin de protection soit placé correctement et sécurisé. Remplacer les pièces usées, défectueuses ou manquantes.
- Veiller à ce que le coussin de protection soit placé correctement et sécurisé.
- Utiliser l'échelle pour accéder ou quitter le trampoline. Il est dangereux de sauter du trampoline sur le sol lors du démontage, ou de sauter sur le trampoline lors du montage. Ne pas utiliser le trampoline comme rampe de lancement pour d'autres objets.
- Cesser de rebondir en pliant les genoux au moment où les pieds entrent en contact avec le tapis. Apprendre cette figure avant d'en essayer d'autres.
- Apprendre les fondements et pratiquer les positions adéquates avant de tenter d'autres figures plus avancées. Plusieurs activités peuvent avoir pour point de départ les figures élémentaires pratiquées de manière variée, avec des combinaisons différentes. Pratiquer les figures de base l'une après l'autre, entrecoupées ou non de rebondissements.
- Éviter de rebondir trop haut. Ne pas rebondir trop en hauteur avant de contrôler ses mouvements et d'être en mesure d'atterrir au centre du trampoline. Le contrôle est plus important que la hauteur.
- Tête droite, rester concentré sur le trampoline en direction du périmètre. Cette position aide à contrôler le rebondissement.
- Éviter de sauter sur le trampoline en cas de fatigue. Dessiner des courbes brèves.
- Sécuriser correctement le trampoline en cas d'absence. Le protéger de toute utilisation non autorisée. Si une échelle est utilisée, le superviseur doit veiller à la détacher du trampoline dès lors qu'il n'est plus utilisé, et ce afin d'éviter aux enfants de moins de 6 ans d'y accéder sans surveillance.
- Écarter tout objet susceptible de déranger l'utilisateur. Garder un espace libre autour du trampoline.
- Ne pas utiliser le trampoline sous l'influence d'alcool ou de drogues.
- Pour toute information supplémentaire concernant l'équipement du trampoline, contacter le fabricant.
- Pour toute information supplémentaire concernant une formation éventuelle, contacter un instructeur spécialisé.
- Rebondir uniquement sur un tapis sec. Le vent ou tout mouvement d'air doit être calme à tempéré. Le trampoline ne doit pas être utilisé en cas de vent fort.
- Lire toutes les consignes avant d'utiliser le trampoline. Les avertissements et les consignes portant sur l'entretien, la maintenance et l'utilisation de ce trampoline visent à encourager un usage sécurisé et ludique de cet équipement.
- Le trampoline BERG est conçu pour un usage extérieur.
- Se déchausser pour sauter.
- Se vider les poches et les mains avant de sauter.
- Toujours sauter au milieu du tapis.
- Ne pas manger en sautant.
- Ne pas sauter sur un tapis humide.
- Ne pas utiliser en cas de vent fort et sécuriser le trampoline.



## 8. Instructions de saut

### 8.1 Avant de commencer à sauter

- Assurez-vous que l'espace en dessous du trampoline BERG soit débarrassé d'obstacles et d'objets.
- N'utilisez le trampoline BERG que lorsqu'il est propre et sec.
- Maintenez éloignés les objets et obstacles qui pourraient gêner l'utilisateur. Faites en sorte que l'espace situé autour du trampoline soit vide.

### 8.2 Instructions de saut

- Ne pas entrer ou sortir du trampoline en sautant.
- Pour faire des mouvements adéquats, il faut adopter la bonne position. C'est en tendant les muscles que l'on obtient la bonne position et l'équilibre nécessaire.
- Une bonne position permet une utilisation sûre du trampoline. Pendant les sauts, le corps est exposé à des chocs qui doivent être amortis correctement. En tendant vos muscles, vous parvenez à un meilleur équilibre et vous augmentez la force de saut et de rebond de votre corps. Si la position est plus relâchée, il y aura une perte d'énergie et la force de saut et de rebond diminuera. Commencez par des sauts et des positions de base et ne faites pas de mouvements plus difficiles avant de bien maîtriser les fondements. Interrompez le saut en pliant les genoux dès que vos pieds touchent la toile de saut.
- Sautez toujours au centre de la toile de saut. Évitez de sauter sur le bord de la toile et la bordure de protection.
- Interrompez le saut en pliant les genoux dès que vos pieds touchent la toile de saut. Apprenez cette technique de base avant de vous perfectionner.
- Apprenez bien les sauts et positions de base avant d'essayer des mouvements plus difficiles. Pour s'exercer, il est possible de réaliser différentes séries et combinaisons de mouvements de base, avec ou sans sauts.
- Évitez de sauter trop haut. Faites de petits sauts jusqu'à ce que vous ayez une bonne maîtrise et que vous atterissiez au centre du trampoline. La maîtrise est plus importante que la hauteur.
- Tenez la tête bien droite et dirigez les yeux vers le périmètre du trampoline. Vous apprendrez ainsi à maîtriser les sauts.
- Les mouvements de glissades brusques (comme des « slidings ») frottant sur les impressions du tapis de saut ou du capitonnage sont déconseillés. Il est possible que l'encre déteigne en cas de frottement appuyé sur les impressions du tapis de saut ou du capitonnage. Il peut s'avérer difficile de nettoyer l'encre des vêtements, L'encre répond aux exigences chimiques strictes imposées aux jouets, donc le contact avec la peau ou l'ingestion de cette encre n'ont aucun effet nocif sur la santé.



## 8.3 Quelques sauts de base

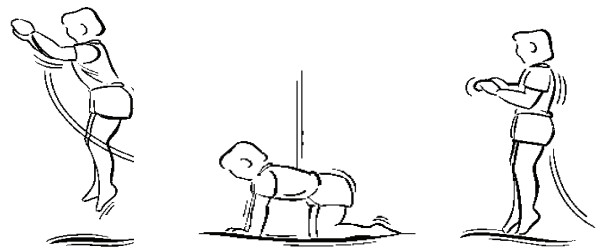
### *Saut de base*

Tenez-vous debout et gardez la tête droite. Gardez les yeux orientés sur le tapis de saut. Balancez les bras en avant et en haut dans un mouvement circulaire. Gardez les pieds côte à côte et orientez les orteils vers le bas au cours du saut. Gardez les pieds lors de l'atterrissage à environ quarante centimètres l'un de l'autre.



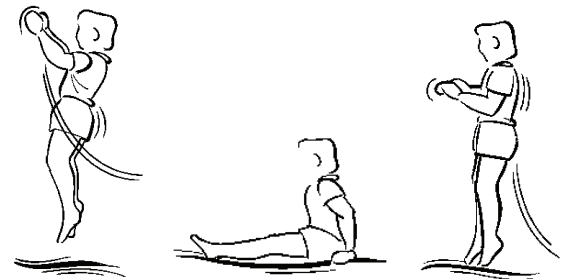
### *Saut sur mains et genoux*

Démarrez par le saut de base. Gardez les yeux orientés sur le tapis de saut. Balancez les bras en avant et en haut dans un mouvement circulaire. Retombez sur les mains et les genoux. Repoussez avec les mains et retombez debout en posture droite.



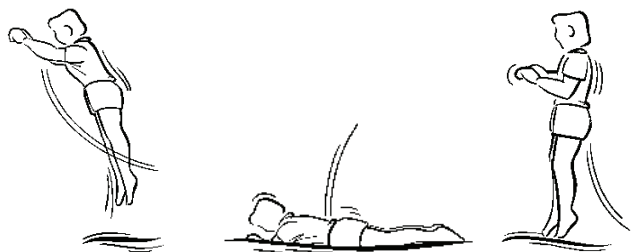
### *Saut sur siège*

Démarrez par le saut de base. Gardez les yeux orientés sur le tapis de saut. Retombez en position assise. Placez les mains à côté des hanches sur le tapis de saut. Repoussez avec les mains et retombez debout en posture droite.



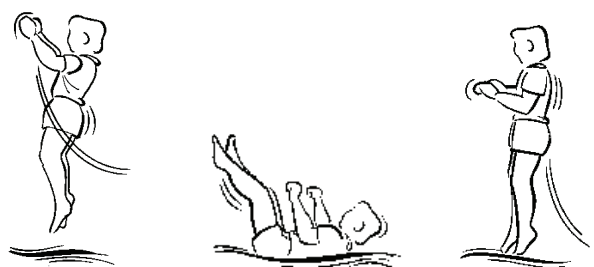
### *Saut ventral*

Démarrez par le saut de base et retombez sur le ventre. Gardez la tête droite. Gardez les bras devant la tête sur le tapis de saut. Repoussez avec les bras pour revenir droit.



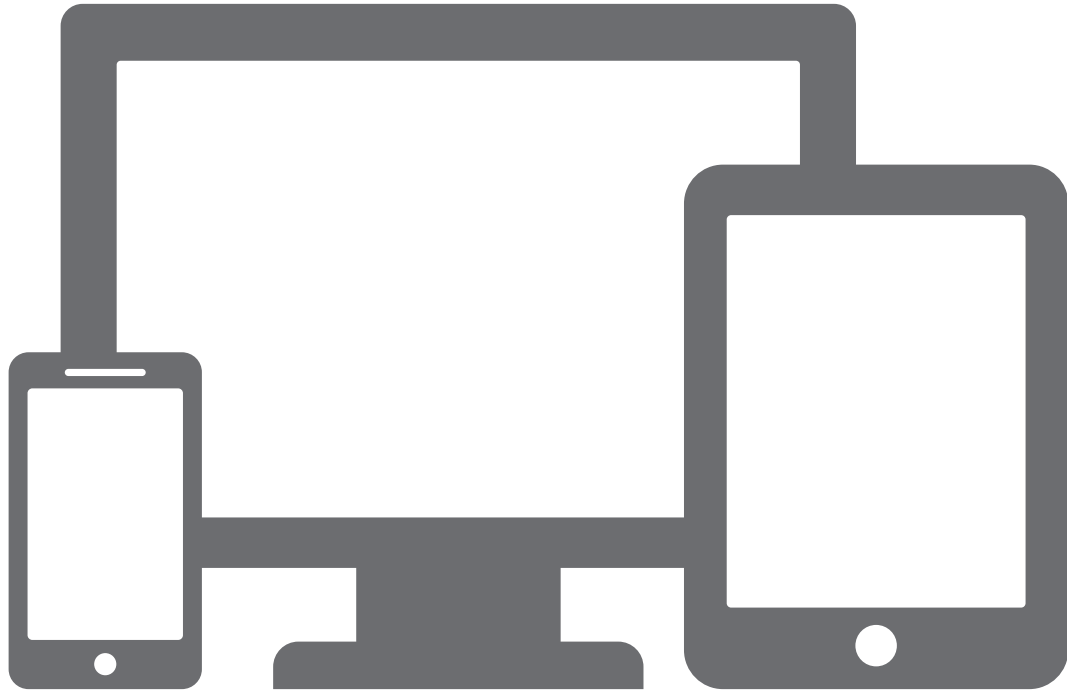
### *Saut dorsal*

Démarrez par le saut de base et retombez sur le dos. Gardez le menton serré contre la poitrine lors de votre descente. Lancez les jambes en avant et en haut lorsque vous revenez debout.



## 9. Installation instructions

Instructions d'installaon

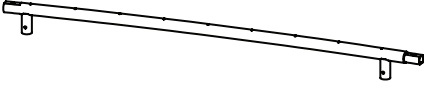

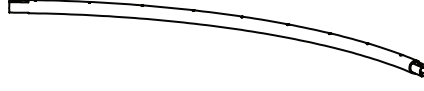
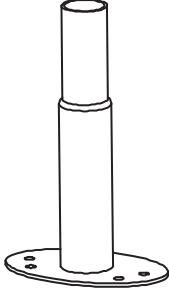
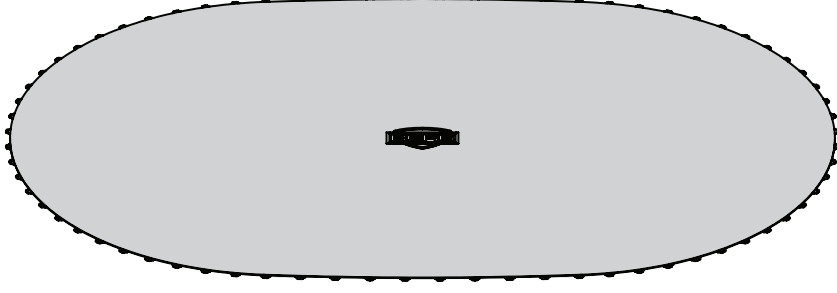
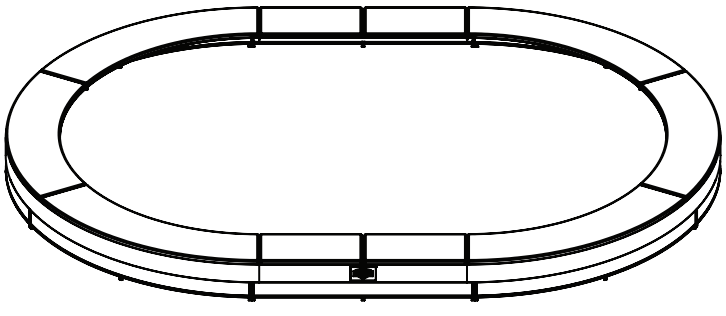
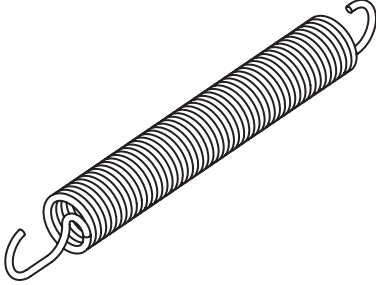
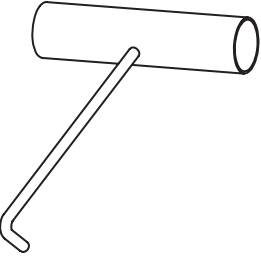
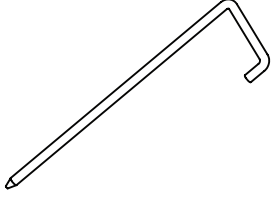
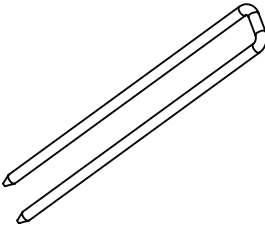
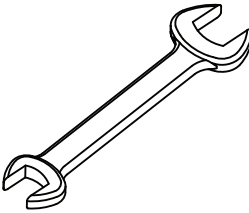
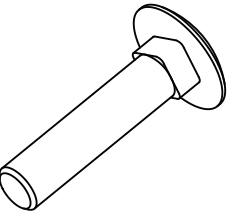

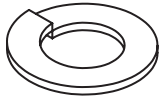
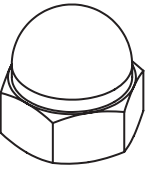



Go to the BERG toys channel on



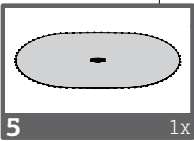
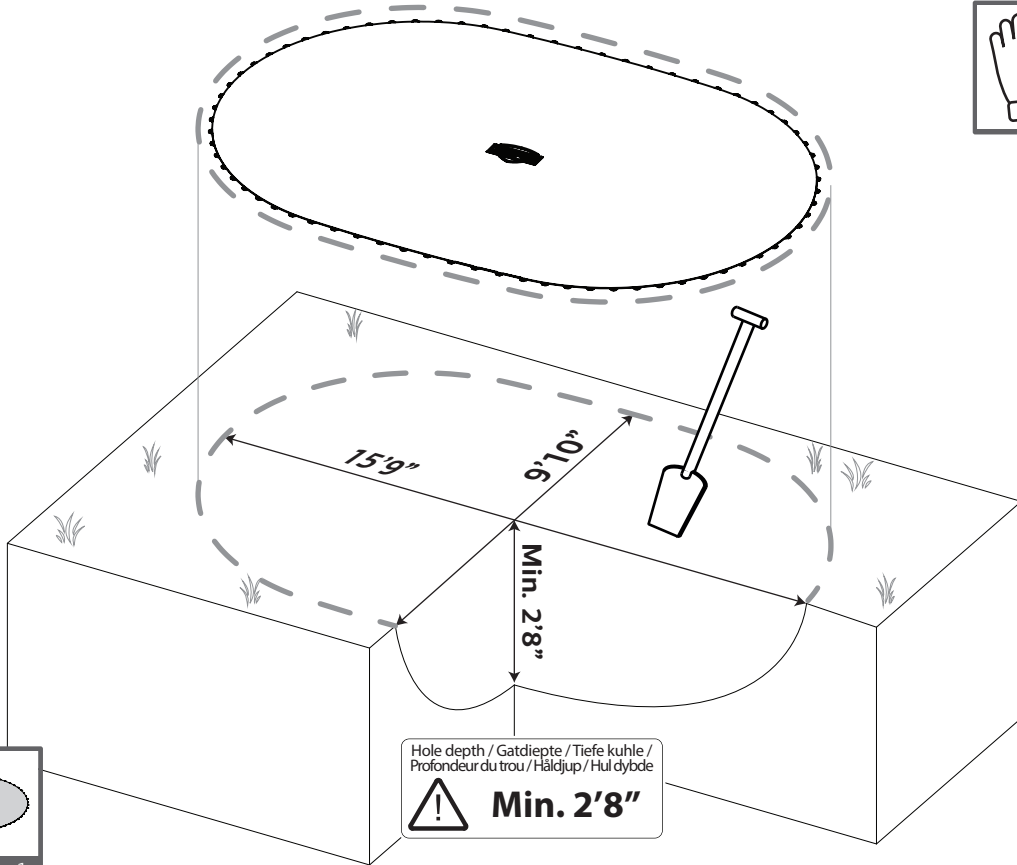
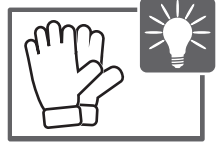
for installation instruction video's  
[www.youtube.com/bergtoys](http://www.youtube.com/bergtoys)



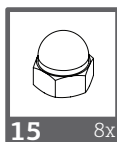
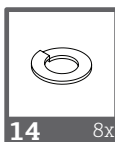
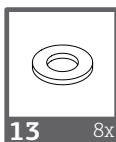
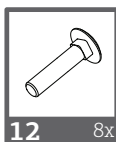
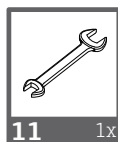
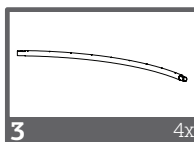
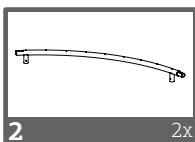
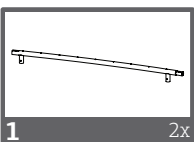
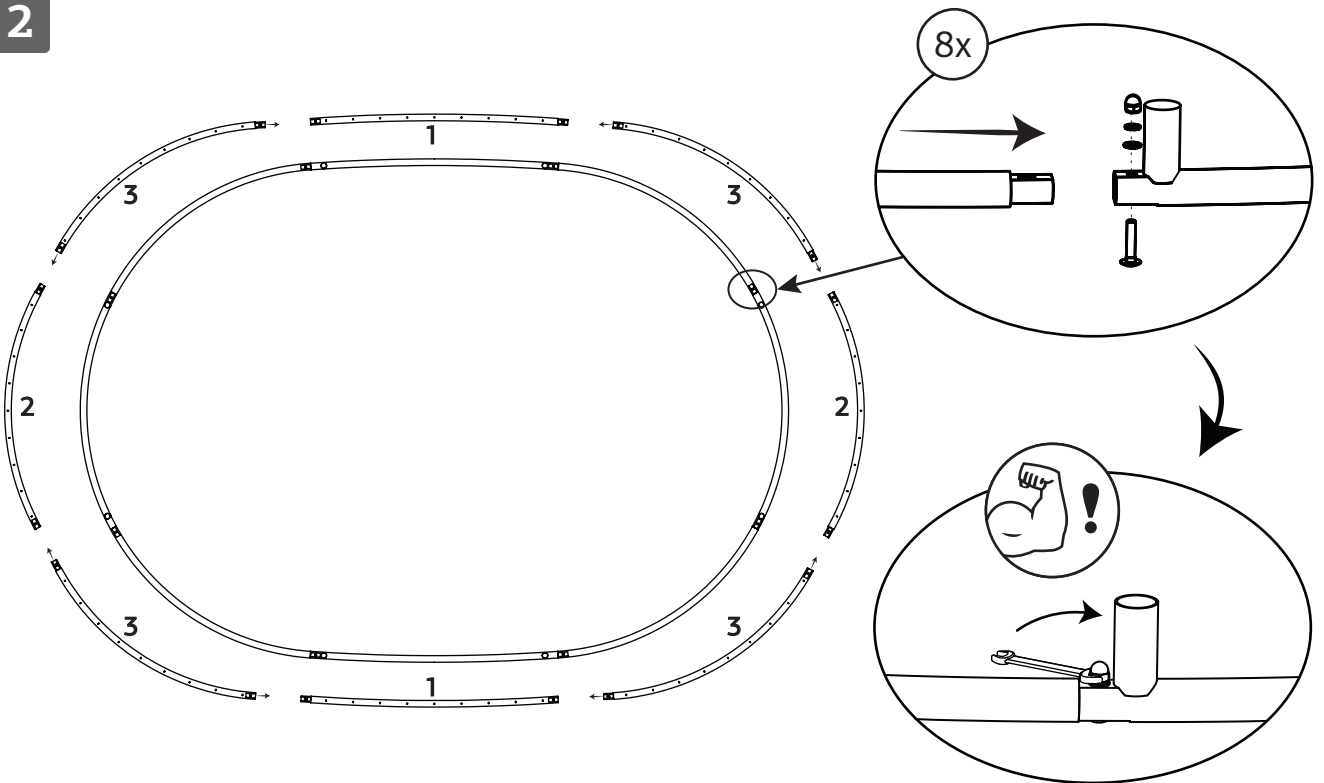
 1 <span style="float: right;">2x</span>	 2 <span style="float: right;">2x</span>	 3 <span style="float: right;">4x</span>		
 4 <span style="float: right;">8x</span>	 5 <span style="float: right;">1x</span>			
 6 <span style="float: right;">1x</span>		 7 <span style="float: right;">144x</span>		
 8 <span style="float: right;">1x</span>	 9 <span style="float: right;">16x</span>	 10 <span style="float: right;">16x</span>	 11 <span style="float: right;">1x</span>	
 12 <span style="float: right;">8x</span>	 13 <span style="float: right;">8x</span>	 14 <span style="float: right;">8x</span>	 15 <span style="float: right;">8x</span>	 16 <span style="float: right;">1x</span>



1

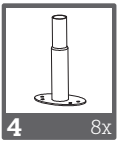
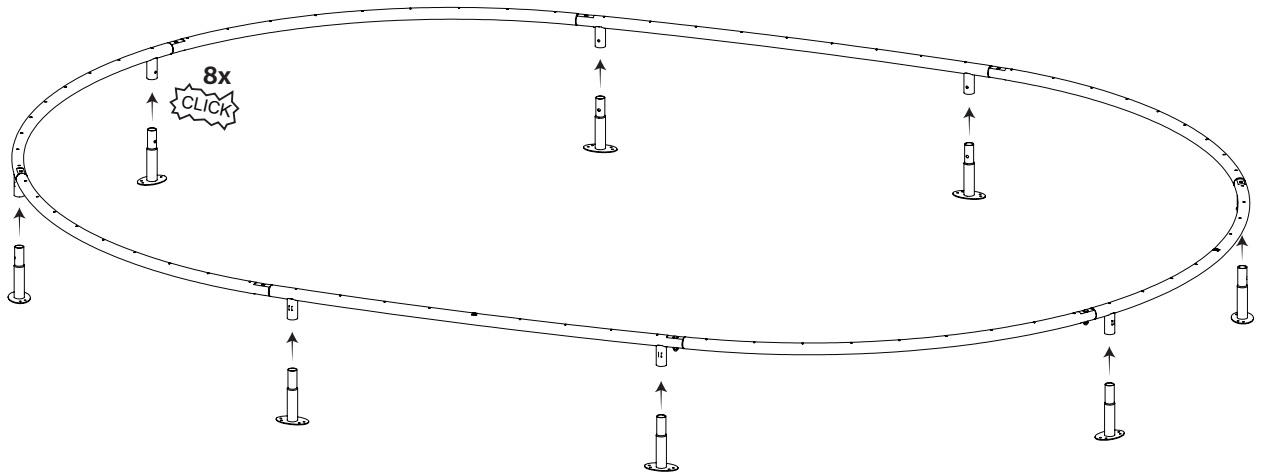


2

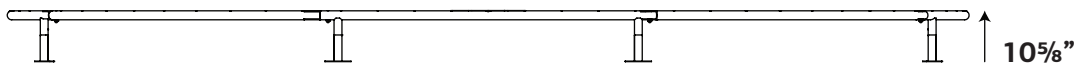




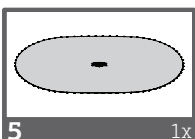
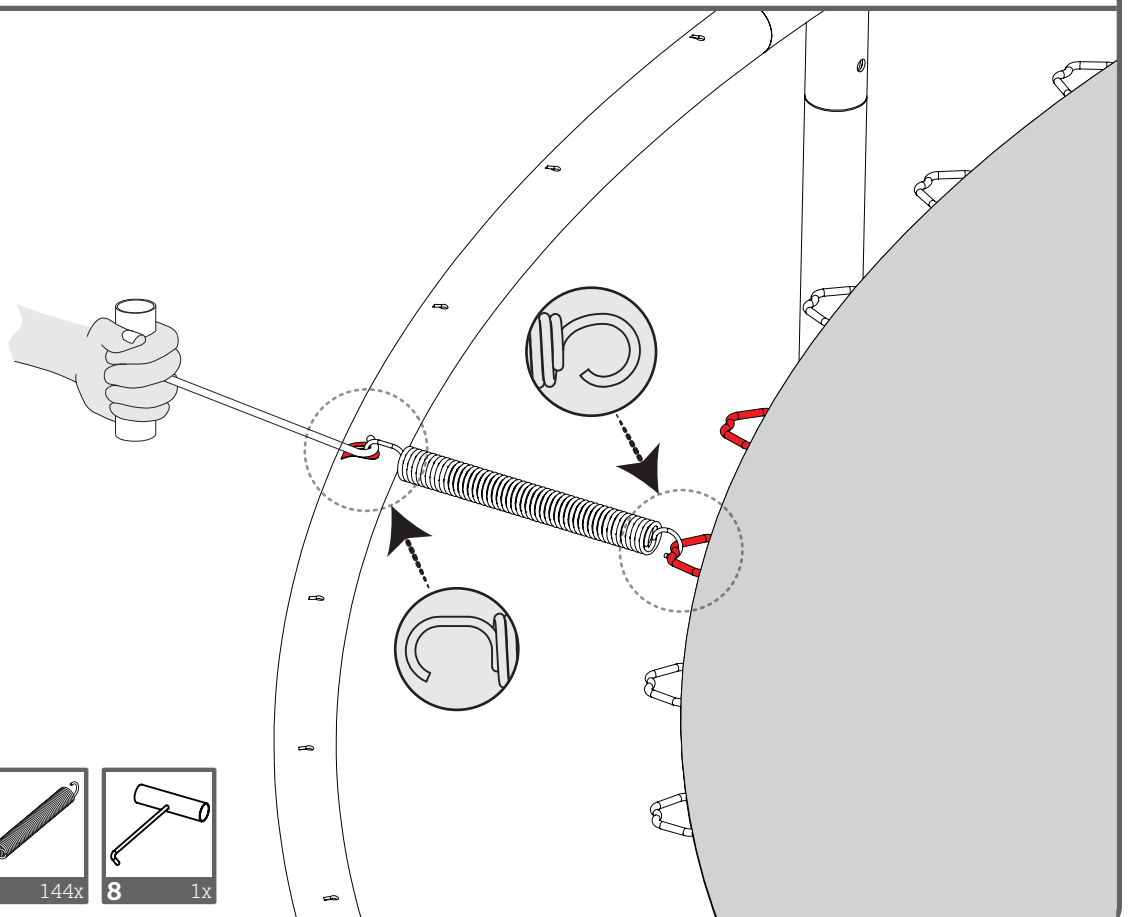
3



4 8x



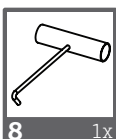
4



5 1x



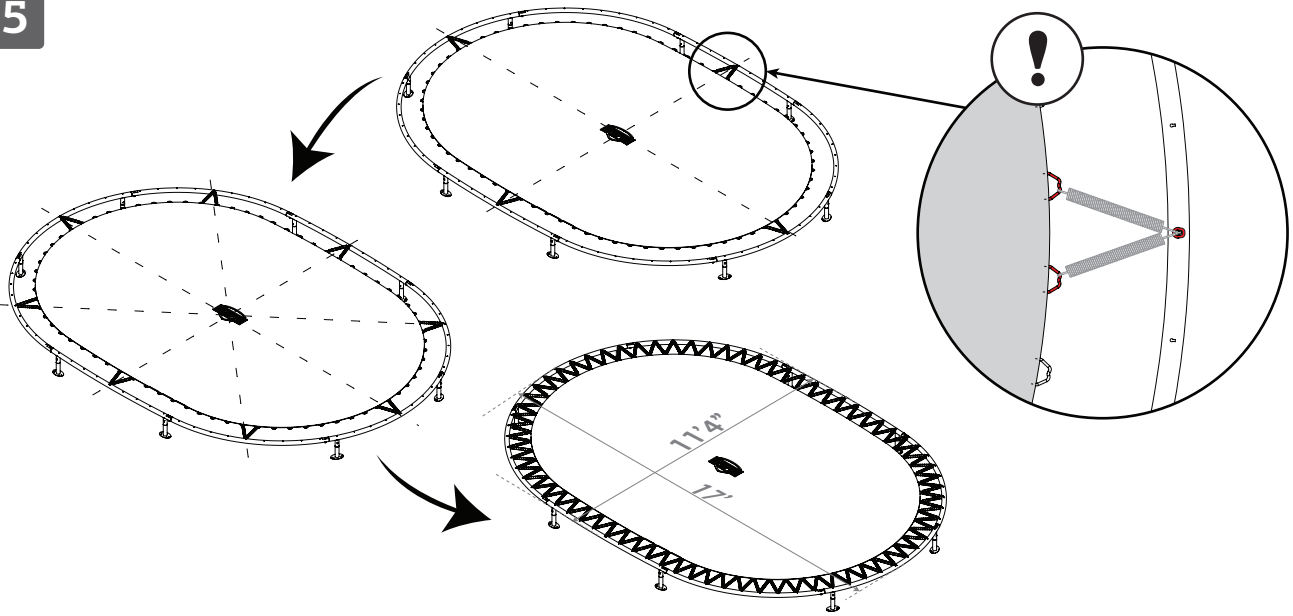
7 144x



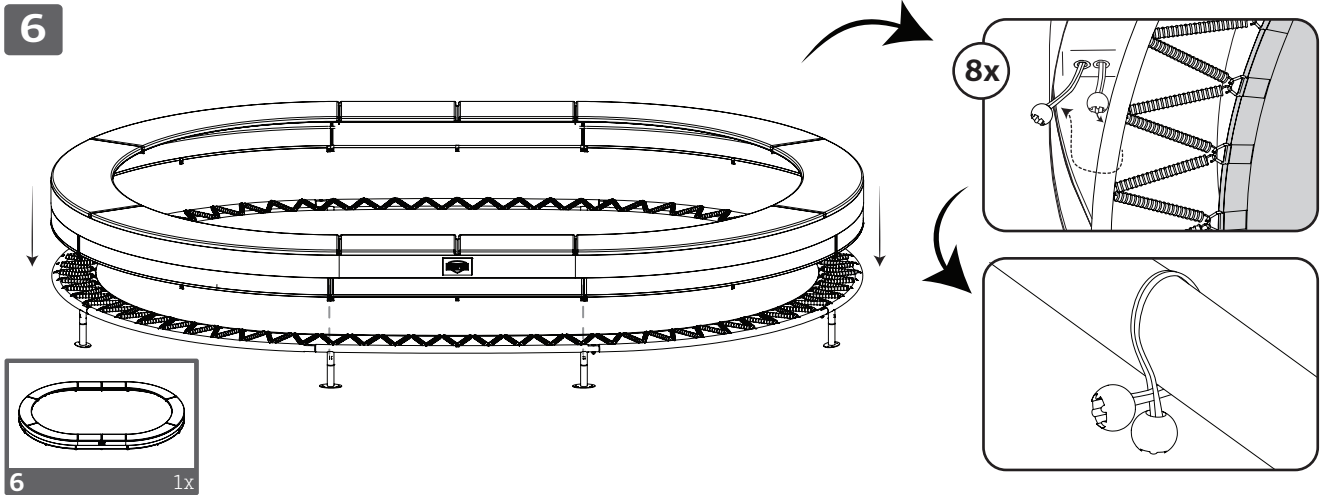
8 1x



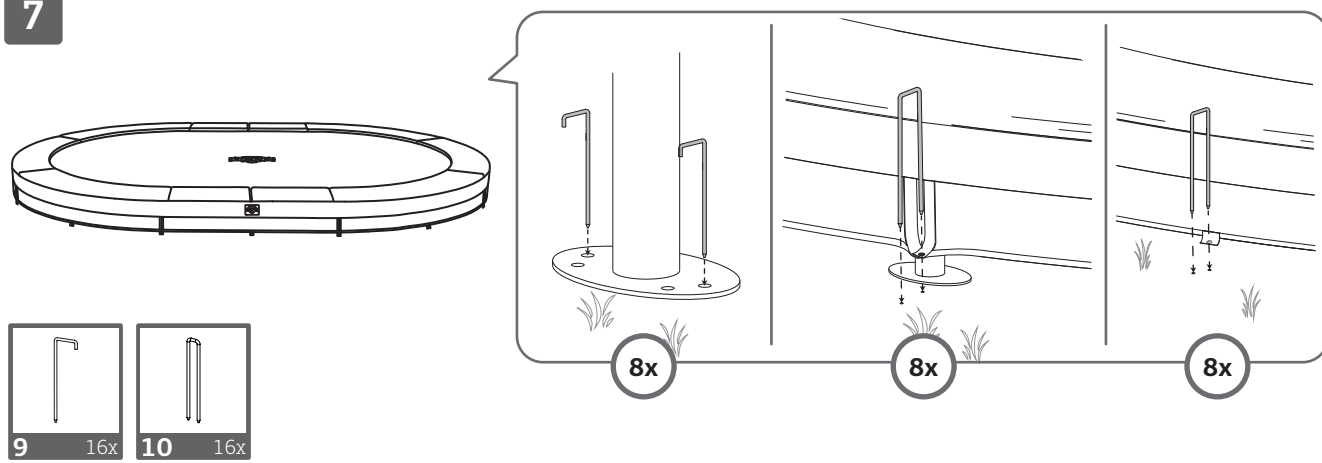
5



6



7



8

Place the sign containing use instructions in a highly visible and safe location. The sign shall be placed such that that it will be readily visible to the intended viewer.



Placer une vignette contenant les instructions d'utilisation à un endroit nettement visible et sûr. La vignette doit être visible, résistante et apparaître en permanence.



## *Product registration*

### **Would you like free supplementary guarantee?\***

Don't forget to register your product online immediately!

Go to **[www.bergtoys.com/registration](http://www.bergtoys.com/registration)**.

This product registration entitles you to 3 years extended warranty on the frame of your go-kart or trampoline.

This extended warranty is in addition to the standard warranty on the frame that you receive.

\*For the conditions, please visit [www.bergtoys.com/registration](http://www.bergtoys.com/registration)



**[www.bergtoys.com/registration](http://www.bergtoys.com/registration)**



[www.bergtoys.com](http://www.bergtoys.com)

B/N sticker