

*SUPER E-CADDY WEEKENDER
ELECTRIC GOLF CART
USER MANUAL*

Welcome

Thank-you for purchasing the Super E-Caddy Weekender.

My name is Tim DeCamp, I will manage your warranty,

your satisfaction is most important to Super E-Caddy.

Please read the manual with tips on all the amazing features of the cart...

Enjoy you Super E Caddy Weekender!

Please feel free to call me with any questions.

Sincerely,

Tim DeCamp

973-390-4462



TABLE OF CONTENTS

Introduction	3
Main Component Identification	4
Releasing & Assembling the Wheels	5
Extending the Cart	6
Operating the Cart	9
Front Wheel Alignment	10
Charging	11
Use and Maitnence	13
Troubleshooting	14
Safety	15

1. Introduction

Thank you for purchasing the new DIGITAL electric golf cart.

It has been designed to save your energy and let you concentrate on your game.

Let the cart do all the hard work!

Check all components are included in the package:

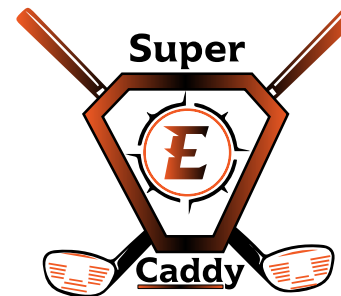
- Main cart frame.
- Drive wheels
- 12V battery complete with battery bag
- Battery charger
- User manual
- Tool kit

Optional Accessories sold separately

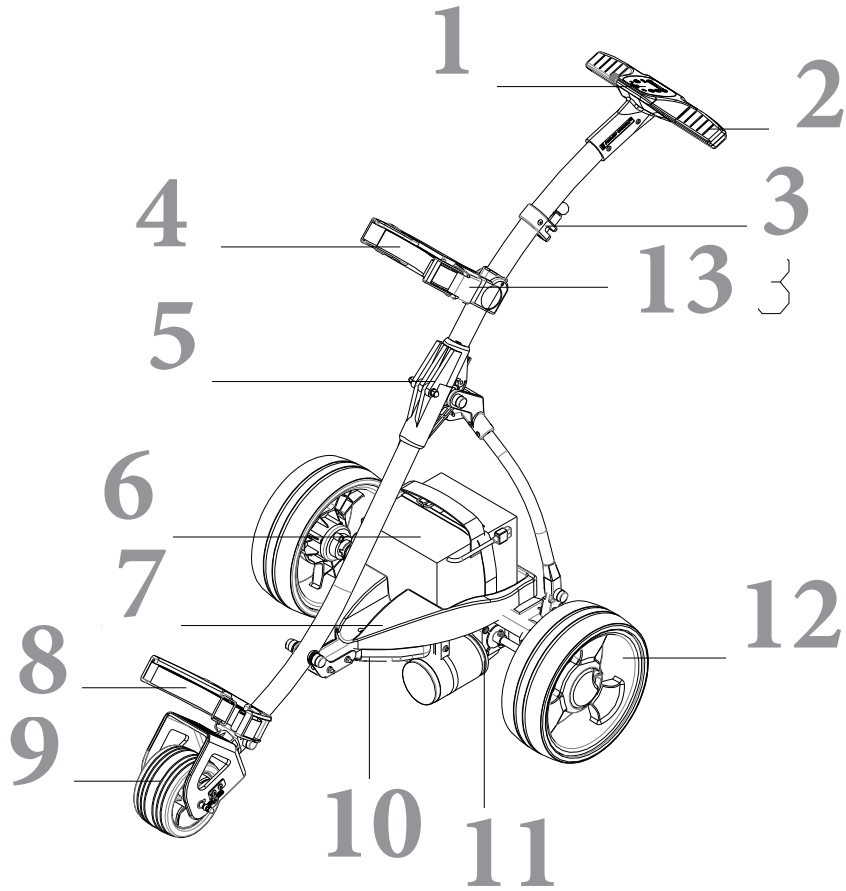
- GPS / Phone Holder – Scorecard Holder – Umbrella Holder
- Luxury Seat – Sand Bucket Hook – Drink Holder

After unpacking the cart place the battery on charge whilst you assemble the unit. The battery will be delivered with a charge but should always be placed on charge overnight before using.

Contents of this manual cover assembly from the delivery carton operating instructions and conditions maintenance and troubleshooting. Please note that our design and manufacturing policy is aimed at continuous improvement this can result in changes without notice to the specifications contained in our websites and in this manual.



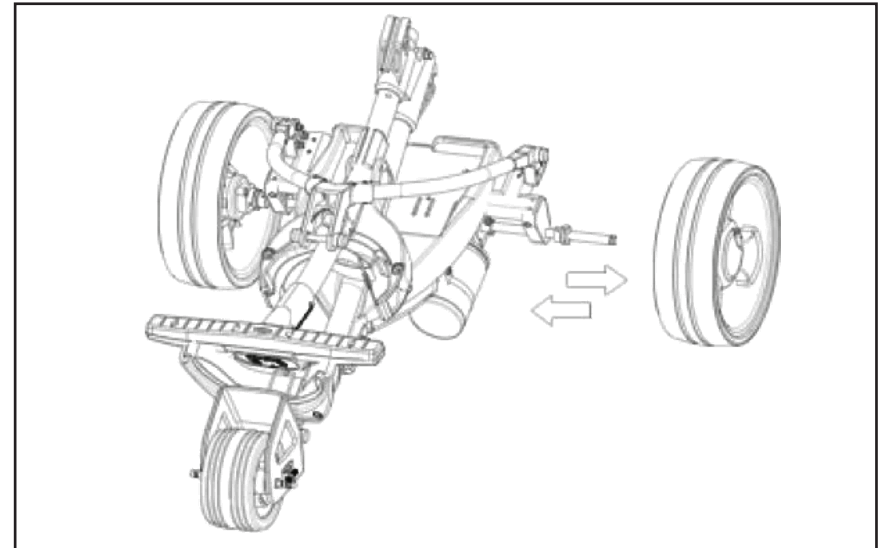
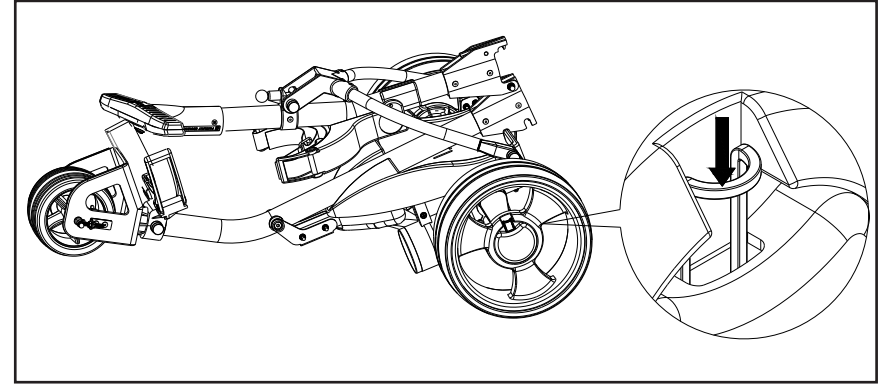
2. Main component identification



- | | | | |
|----|-------------------|----|-----------------------------|
| 1 | Power switch | 8 | Lower bag support and strap |
| 6 | Battery | 13 | Upper bag support |
| 11 | Gearbox and motor | 4 | Bag Strap |
| 2 | Handle | 9 | Front wheel |
| 7 | Battery tray | 5 | Central hinge lock |
| 12 | Drive wheels | 10 | Controller cover |
| 3 | Cart frame lock | | |

3. Releasing & Assembling the Wheels

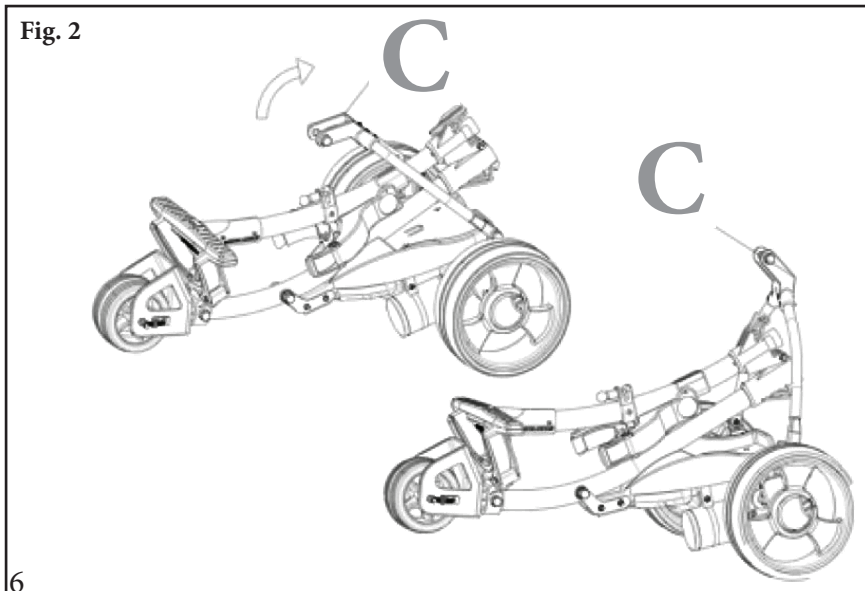
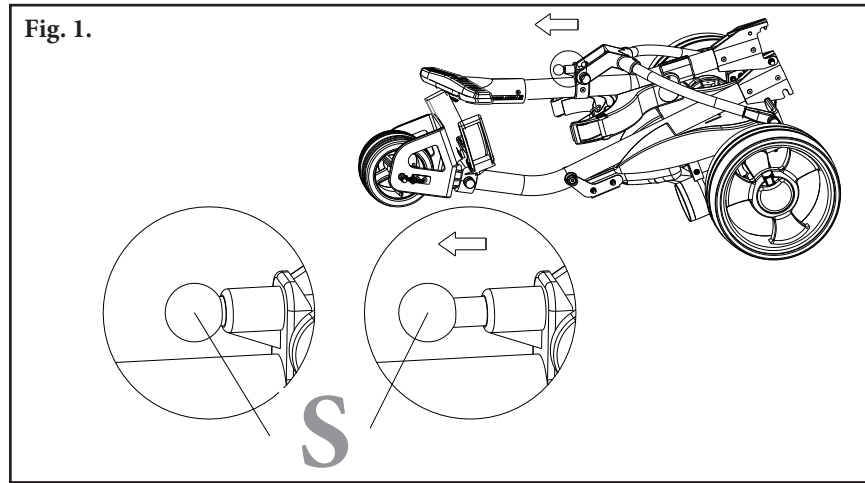
To release the wheel, press the lock pin (A) and pull the wheel out.
·To assemble the wheel, just reverse the steps of releasing the wheel.
Please note that there is small “R” or “L” label on the right or left wheel.
When you assemble the wheel, please make sure that the label is facing the motor of the cart.



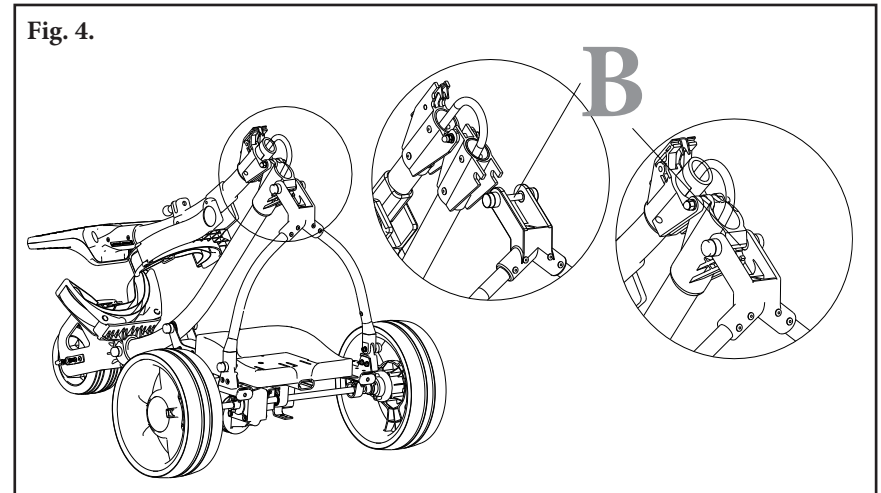
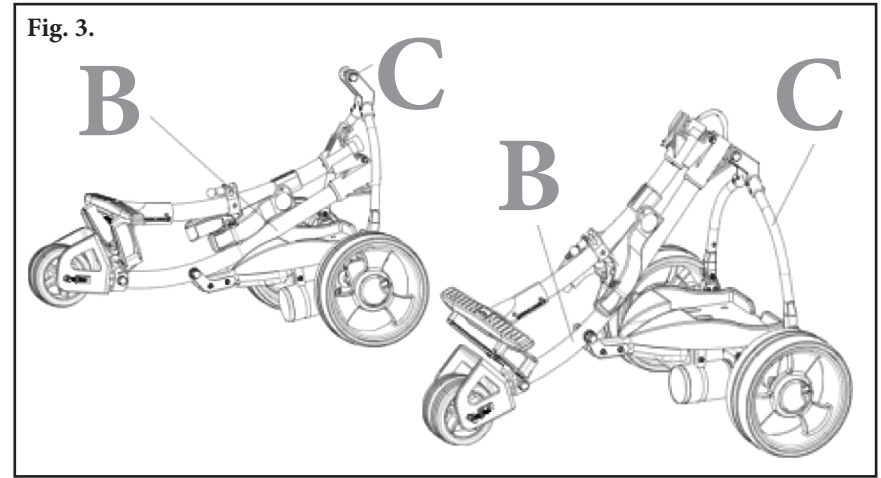
4. Extending the cart

Pull the lock (S) to the direction as shown in Fig 1.

To release the lock bar and raise the middle Support Frame (C) to the upright position as shown in Fig. 2.

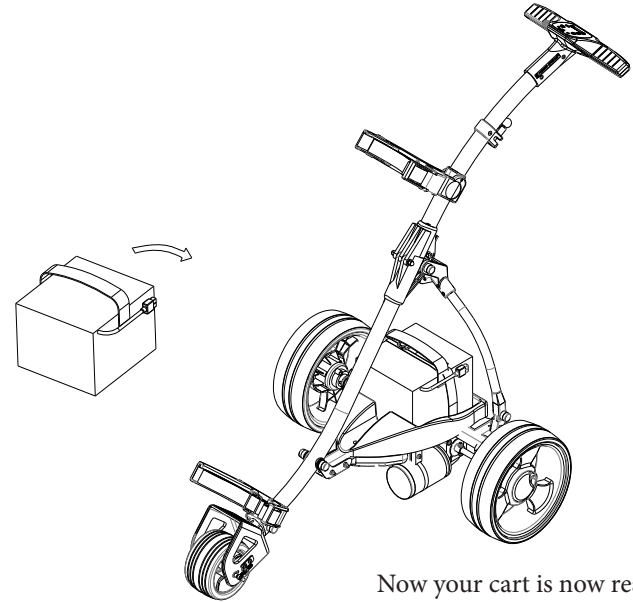
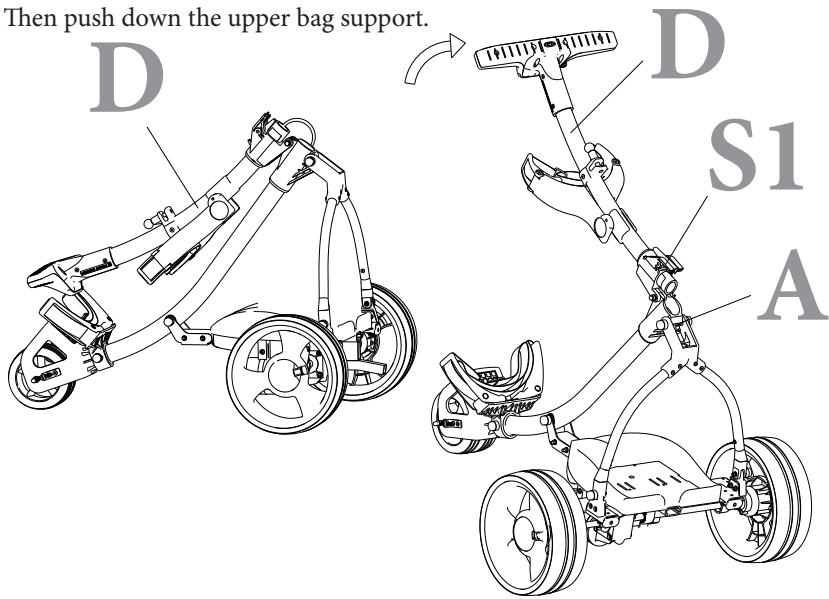


Lift the main frame (B) upward to meet the support frame (C) as Fig.3 shown. Engage the slots on the tip of the main frame (B) with the locking bar (A) on the support frame as shown in Fig 4.



Lift the upper handle frame (D) over the central locking hinge. Press the metal latch (S1) and ensure that the hinge is locked in position around the support frame bar (A).

Then push down the upper bag support.



Now your cart is now ready for use.

5. Operating the cart



Connect the battery with the main unit. The connectors are paired with RED and BLACK colors. Don't try to force it in the wrong direction.



Switching on / off

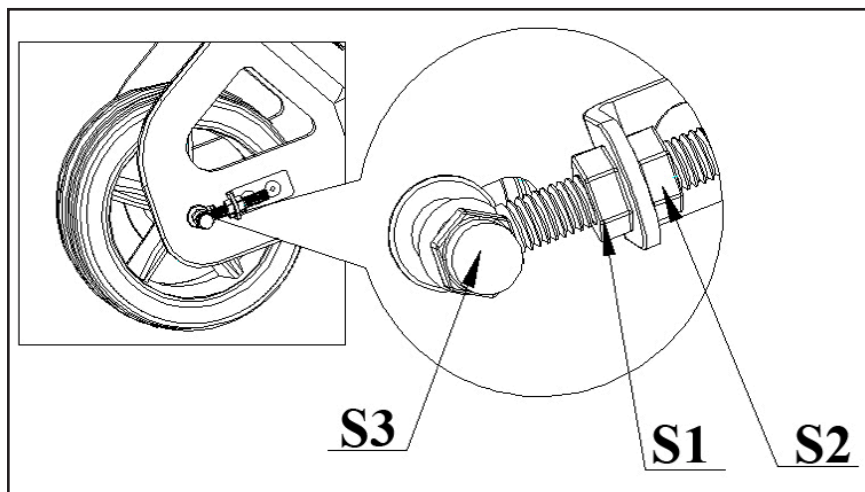
Switch the button up until you hear a “click” to turn on the power, switch the button down until you hear a “click” to turn off the cart.

Setting the speed

Turn the speed dial control up to increase speed and down to decrease speed.

Preset Distance Control

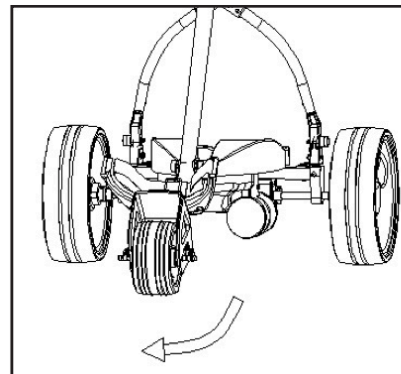
Stop the cart and press the button one time the cart will run approximately 15 meters distances, press twice the cart will run approximately 30 meters distances, press three times the cart will run approximately 45 meters distances. to tighten the lock nut to secure the adjustment.



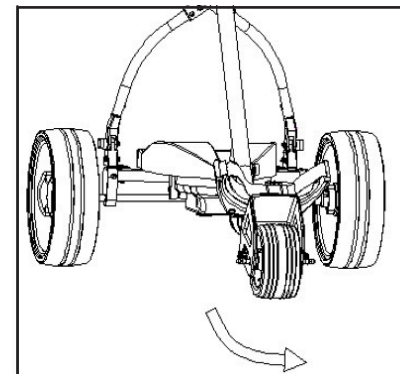
6. Front Wheel Alignment

The cart alignment is set at the factory, but may vary once you put your golf bag on the cart. If the cart veers to one side, you can adjust the front wheel alignment screws (S1, S2) as shown in the picture below.

Loosen the lock nut (S3) and turn the adjuster nut (S1 & S2), so that the angle of the axle is altered. If the cart pulls to the left, the left hand adjuster (S1 & S2) should be moved forward. If the cart moves to the right, move the right hand adjuster (S1 & S2) forward. Use the open-end wrench in the supplied tool kit to tighten the lock nut to secure the adjustment.



When the cart veers to the left as shown above, the left hand adjuster (S1 & S2) should be moved



When the cart veers to the right as shown above, move the right hand adjuster (S1 & S2) forward.

7. Charging

When the battery voltage is too low to operate the cart (below 9.5 volts) the controller will cut power supply to the motors).

- ✓ Disconnect the battery wire.
- ✓ Remove the battery case and the battery from the cart or move the cart next to an AC outlet.
- ✓ Connect the battery plug with the charger connect wire.
- ✓ Plug in the charger.



You must give your battery an initial “commissioning” charge before using it for the first time Charge your battery for a minimum of 8 hours, even if the green light appears soon after commencing charging.

Always start every round with a fully charged battery.

Connect the charger to the mains. **If the green light on your charger flashes, switch off immediately and check the polarity of the charger lead.**

The charger light will turn red indicating that charging is taking place. When your battery is charged, the light will turn from red to green.

With a new or fully charged battery, the red light may show only for a short time before turning green.

Ideally, you should change your battery for a minimum of 8 hours, even if the red light turns green before this.

This will ensure that the maximum charge is put into the battery and will increase battery life.

Change your battery as soon as possible after every round (certainly within 24 hours) even if you have played only a few holes. This will maximize the life of your battery. Switch the charger off at the mains before disconnecting the battery.

If you do not intend to use your cart for several months, fully charge the battery and then disconnect from the charger. Recharge your battery every 2 months. Leaving the battery on charge for an extended period may cause the battery to dry out and shorten the life of both the battery and charger.

DO NOT leave the charger connected to the mains if the battery is not attached. This will shorten the life of the charger.

DO NOT leave the charger connected to the battery if it is not connected to the mains. This will discharge your battery

DO NOT charge your battery on a concrete floor-always charge on a shelf/bench or place the battery on a plank of wood.

8. Use & Maintenance

• Battery

1. Regularly check to see if the battery is damaged.
2. Keep the battery surface clean, and check underneath the battery cover to make sure that no dirt or water has attached to it.
3. Check the battery connections – underneath the small plastic covers for any signs of corrosion or bad connection.
4. Check that the wires from the battery cover are firmly fixed to the terminal posts.
5. After use always place the battery on charge – in warm dry conditions.
6. If the cart will be used again soon then you can leave the battery on charge until that time. Always allow sufficient charging time to completely charge the battery – overnight or 6 to 8-hours should be sufficient.
7. If the battery is to be stored for instance over winter and not used it can be disconnected. If disconnected for storage always recharge the battery completely at intervals at least once every two months. Allowing the charge of the battery to drop to a completely exhausted state can shorten the life of the battery.
8. Do NOT charge the battery with a different charger than that supplied with the cart.
9. If stored place the battery on a wooden shelf – not on a concrete floor. Keep away from fire flames – heaters – and do not allow it to be in a temperature of over 45 deg C (113 deg F).

• Charger

1. Do not attempt to open the case of the charger.
2. Only use the charger to charge the battery of this golf cart.
3. Operate only indoors – in clean dry conditions.
4. Immediately remove from the mains electrical supply when charge is complete.
5. Don't leave the charger connected to the mains if the battery is not attached.

- **Cart**

1. Keep the cart clean. Remove any caked mud and grass cuttings.
2. Do not use the hose or high pressure water cleaners.
3. Store it indoors in dry conditions.
4. Always remove the battery from the cart as soon as possible.
5. Occasionally check nuts/bolts/fixing for tightness.
6. Don't continue to run the motor with low battery power.
7. Don't carry more than 22kgs of bag/clubs/accessories.
8. Don't allow children to sit or ride on the cart.

9. Troubleshooting

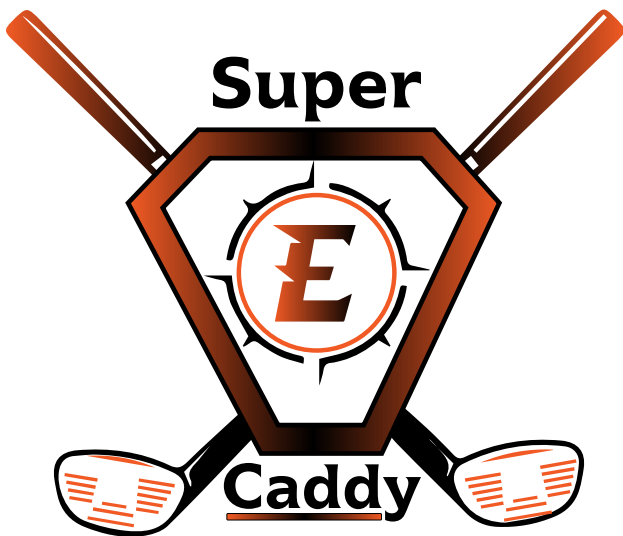
The following is general information for the customer. If you have a persistent problem always call the service department. It will always help if you can tell them the sequence and condition of the LED lights.

Indication	Possible cause
Trolley will not turn on. The LED does not illuminate. There is no forward movement.	Bad wire connection. Either to the switch in the handle or at the connection plugs to the controller
Same conditions as above – but the LED is illuminated	Bad wire connection to the motor. Either at the connection plugs to the controller – or even internal to the controller.
The battery is not accepting a charge.	Faulty charger. (The battery can easily be checked at any auto-repair center). Check for correct connection of the plugs into and out of the charger.

10. Safety

1. Read this manual carefully so that you understand and are able to follow all safety instruction and methods of use before you use the golf cart.
2. Do not let children use the cart.
3. If you feel ill, tired or have been drinking alcohol or taken medication you should not use the cart.
4. All repairs not described in this manual should only be carried out by trained personal.
5. Only use original spare parts. This also applies to the battery.
6. Only lend the cart to people who are familiar with the use.
7. Waste electrical products must not be disposed of with the household waste.





FOR SUPPORT CALL

Tim 973-390-4462 or Paul 201-233-6809

FOR MORE INFO

www.superecaddy.com