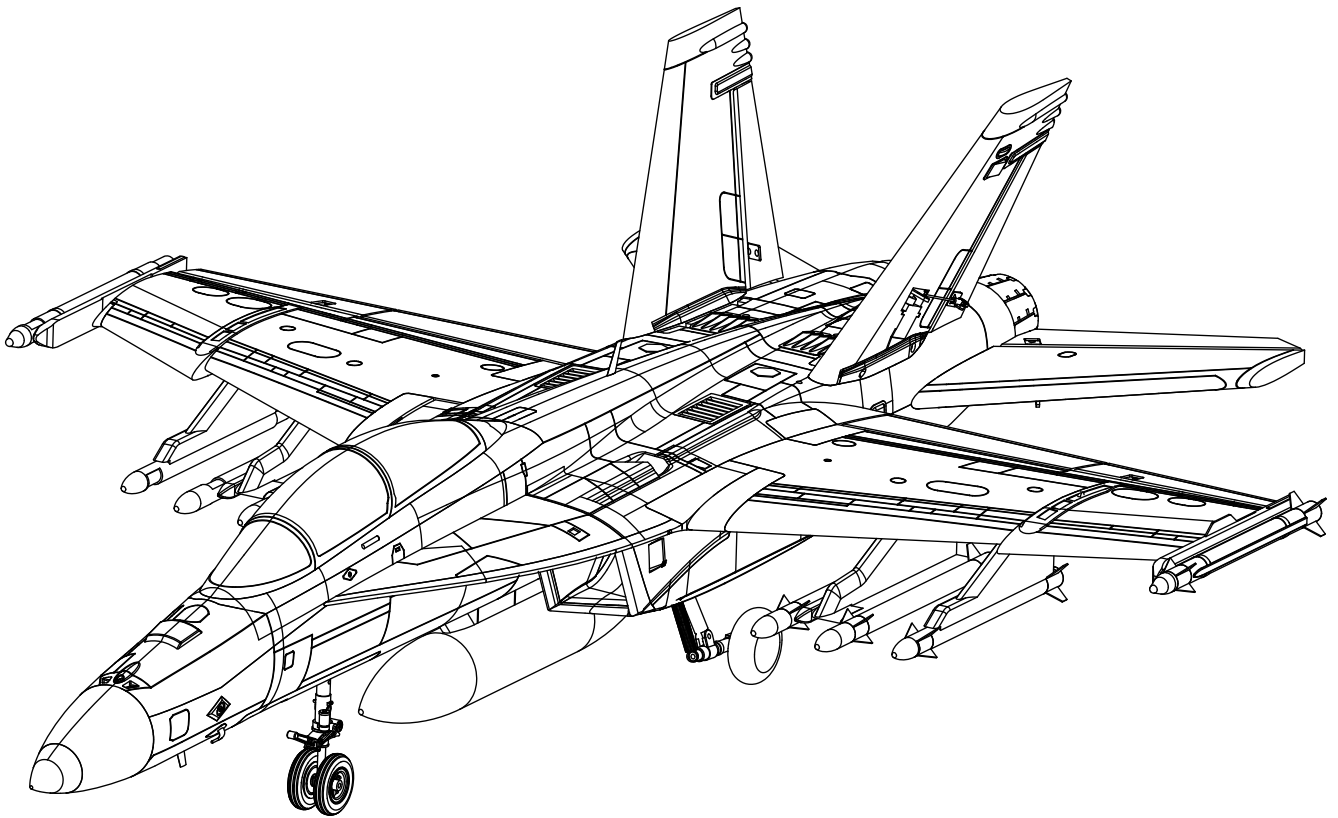




# 70mm F/A-18F



*Instruction Manual*  
*Bedienungsanleitung*  
*Manuel d'utilisation*  
操作手册

**REALISTIC**

- Retracts and flaps installed

**RIGID**

- Durable EPO material

**STABLE**

- Smooth flying performance

**FMSMODEL.COM**

**WARNING**



WARNING: Read the ENTIRE instruction manual to become familiar with the features of the product before operating. Failure to operate the product correctly can result in damage to the product, personal property and cause serious injury. This is a sophisticated hobby product and NOT a toy. It must be operated with caution and common sense and failure to do so could result in injury or damage to the product or other property. This product is not intended for use by children without direct adult supervision. This manual contains instructions for safety operation and maintenance. It is essential to read and follow all the instructions and warnings in the manual prior to assembly, setup or use, in order to operate and avoid damage or serious injury.

**Safety Precautions and Warnings**

As the user of this product, you are solely responsible for operating in a manner that does not endanger yourself and others or result in damage to the product or the property of others. This model is controlled by a radio signal subject to interference from many sources outside your control. This interference can cause momentary loss of control so it is advisable to always keep a safe distance in all directions around your model, as this margin will help avoid collisions or injury.

Age Recommendation: Not for children under 14 years. This is not a toy.

- Never operate your model with low transmitter batteries.
- Always operate your model in an open area away from cars, traffic or people.
- Avoid operating your model in the street where injury or damage can occur.
- Never operate the model in populated areas for any reason.
- Carefully follow the directions and warnings for this and any optional support equipment you use (chargers, rechargeable battery packs, etc.)
- Keep all chemicals, small parts and anything electrical out of the reach of children.
- Moisture causes damage to electronics. Avoid water exposure to all equipment not specifically designed and protected for this purpose.
- Never lick or place any part of your model in your mouth as it could cause serious injury or even death.

**Safety**

Lithium Polymer (Li-Po) Battery Warning

CAUTION: Always follow the manufacturer’s instructions for safe use and disposal of batteries. Fire, property damage, or serious injury can result from the mishandling of Li-Po batteries.

- By handling, charging or using a Li-Po Battery you assume all risks associated with lithium batteries. If at any time the batteries begin to swell or balloon, discontinue use immediately!
- Always store the batteries at room temperature in a dry area to extend the life of the battery. Always transport or temporarily store the battery at a temperature range of 40-120F. Do not store the battery or model in a car or in direct sunlight. If stored in the battery or model in a car or in direct sunlight. If stored
- Never use a Ni-Mh Charger to charge Li-Po Batteries. Failure to charge the battery with a Li-Po compatible charger may cause fire resulting in personal injury and property damage.
- Never discharge Li-Po Cells below 3V.
- Never leave charging batteries unattended.
- Never charge damaged batteries.
- Use a battery charger that is designed to safely charge the Li-Po Battery. Read the charger instructions carefully before use. When charging the battery, make certain the battery is on a heat resistant surface. It is also highly recommended to place the Li-Po Battery inside a fire resistant charging bag readily available at hobby shops or online.

## Introduction

The F/A-18F Super Hornet is a tandem-seat, carrier-capable, multirole fighter and attack aircraft based on the McDonnell Douglas F/A-18 Hornet. Designed and initially produced by McDonnell Douglas, the Super Hornet first flew in 1995. The Super Hornet entered service with the United States Navy in 1999, replacing the Grumman F-14 Tomcat, which was retired in 2006; the Super Hornet serves alongside the original Hornet.

FMS is proud to present the 70mm F/A-18F with an unprecedented amount of innovative features and attention to scale detail. Incorporating new and advanced construction and assembly innovations such as the optimized screw-together assembly (reducing glued components), pre-installed ball links and a heavy-duty wing spar, the Super Hornet is easily assembled and disassembled. Based on the successful 64mm F/A-18 hornet, the 70mm F/A18F Super Hornet features amazing details, clean lines, a latch-type canopy hatch and CNC-machined landing gears with integrated shock absorbers, just to name a few. Included with the model are four decal sets, allowing your F/A-18F to turn more than a few heads at the local field.

Powering the F/A-18F is FMS' brand new V2 70mm 12-bladed EDF with an 1850KV inrunner motor; when paired with a 6S battery, unleashes a powerhouse of thrust along with a turbine-like engine note.

Built with a durable EPO foam material, your F/A-18F is durable enough to withstand hangar-rash and less-than-perfect landings. An environmentally-friendly water-based paint ensures that the aircraft looks vibrant in any trim scheme.

Dominate the skies with your FMS 70mm F/A-18F!

### Key Features:

- High quality Predator 70A ESC, 1850 KV in-runner motor powering FMS' latest 70mm 12-bladed EDF unit.
- Optimized screw-together construction, reducing glued components.
- CNC-machined landing gears with integrated shock absorbers.
- Pre-adjusted ball-link control horns for smoother surface movement.
- Includes 4 different decal sets for trim scheme customization.

## Table of Contents

Introduction .....	03
Kit contents .....	03
Model assembly .....	04
Battery installation .....	06
Connectors diagram .....	06
Get your model ready to fly .....	07
Important esc and model information .....	07
The transmitter and model setup .....	07
Check the control throws .....	08
Clevis installation .....	08
Control horn and servo arm settings .....	08
Center of gravity (cg) .....	08
before flying the model .....	09
Flying your model .....	09
Troubleshooting .....	10
Spare parts list content .....	10
Decal instruction .....	11

## Contents of Kit

Before assembly, please inspect the contents of the kit. The photo below details the contents of the kit and labels.

If any parts are missing or defective, please identify the name or part number (refer to the spare parts list near the end of the manual) then contact your local shop or email us: support@fmsmodel.com

### Specifications

**Wingspan: 875 (34.45in)**

**Overall length: 1186mm (46.69in)**

**Flying weight: Around 2100g (74.08oz)**

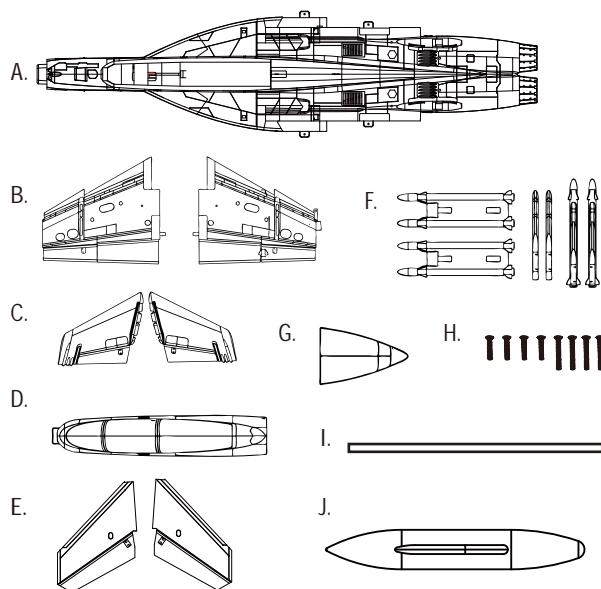
**Motor size: Brushless 2860-KV1850**

**Wing load: 108 g/dm<sup>2</sup> (0.24oz/in<sup>2</sup>)**

**Wing area: 19.3 dm<sup>2</sup> (299 sq.in)**

**ESC: 70A**

**Servo: 9g Servo x 9**



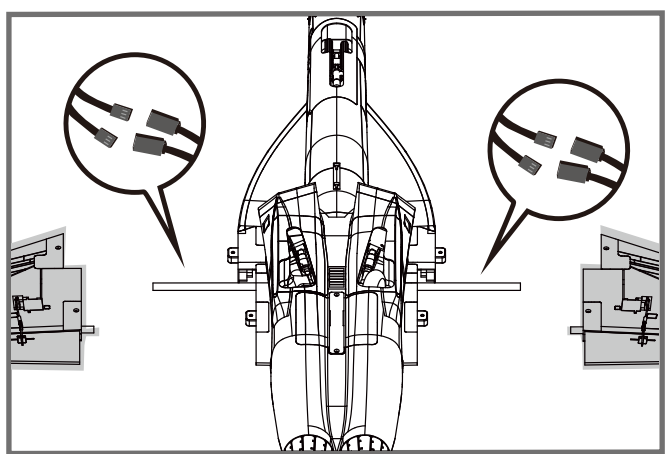
- |                          |                                    |
|--------------------------|------------------------------------|
| A: Fuselage              | F: Missile set                     |
| B: Main wing set         | G: Nose cone                       |
| C: Vertical stabilizer   | H: Screws (HKM 4-3*16, HKM 4-3*26) |
| D: Cockpit               | I: Wing spar                       |
| E: Horizontal stabilizer | J: Auxiliary fuel tank             |

# Model assembly

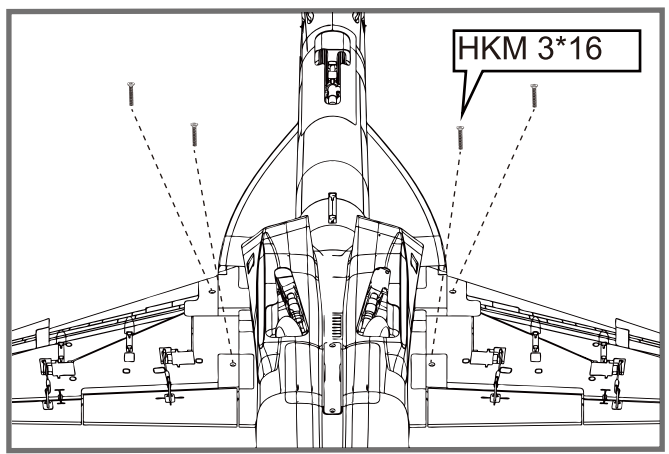
## Main Wing Installation

1. Align and insert the wing spar into the wing tubes, then slide the wing spar into the fuselage.

Note: The connectors on both sides should be attached precisely and firmly.



2. Secure both wings to the fuselage using the included screws.



## Horizontal stabilizer installation

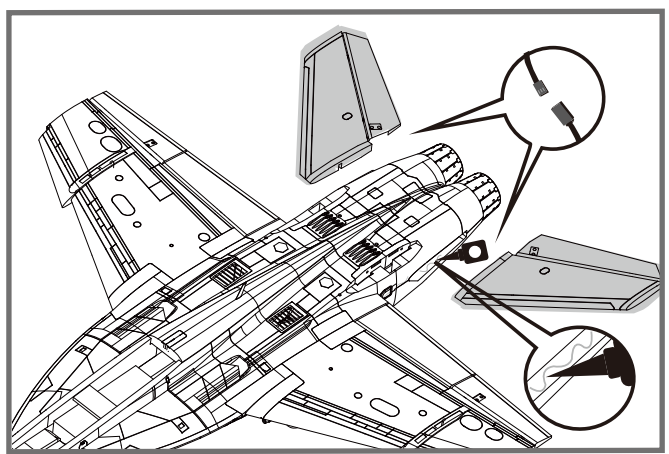
1. Connect the elevator servo connectors to the servo extensions in the fuselage.

2. Carefully apply foam-safe CA to the base and side of the horizontal stabilizer slot. Insert the horizontal stabilizers until they are properly in place.

Required Adhesives:



Foam Safe Medium CA



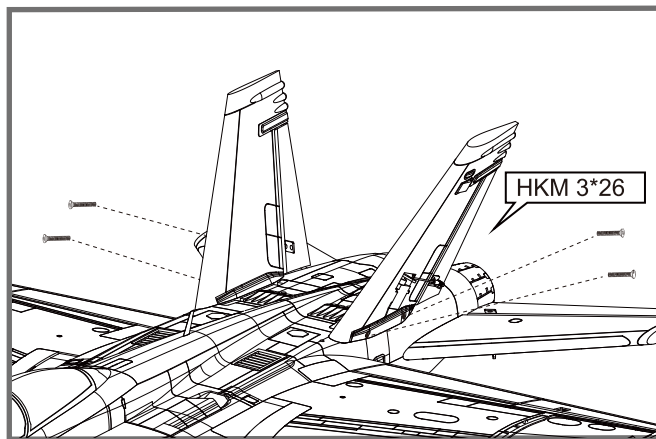
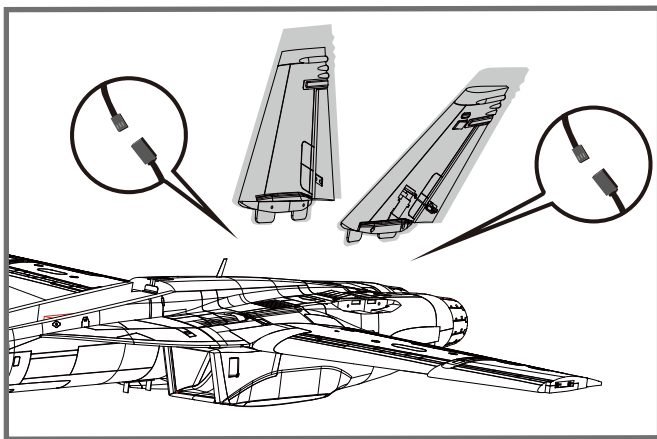
## Model assembly

### Vertical Stabilizer Installation

1. Slide the vertical tail into the slot in the fuselage.

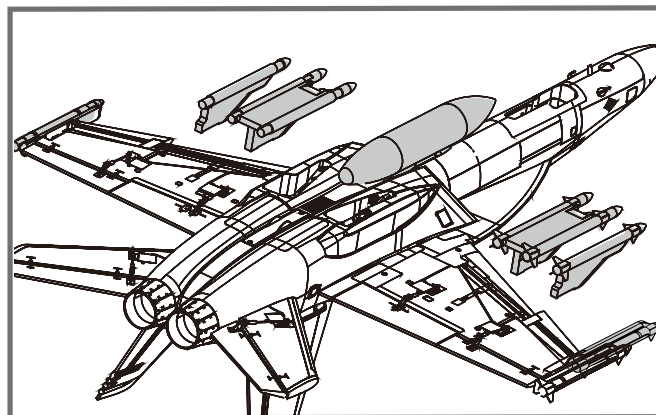
2. Secure the vertical tail in place using the included screws.

Note: Connect the rudder servo connectors to the servo extensions in the fuselage.



### Missiles and Oil Tank Installation

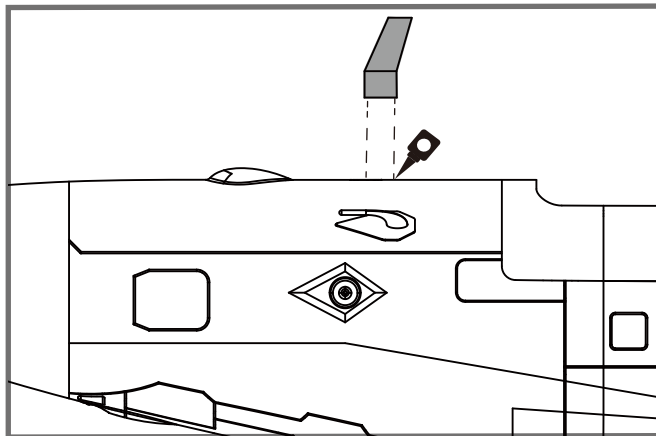
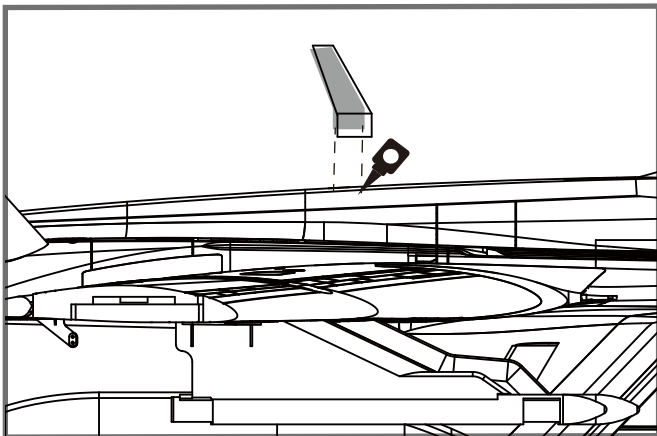
1. Slide the missiles and oil tank into the rails.



### Scale Part Installation

1. Carefully apply CA to the base and side of the pocket as shown.

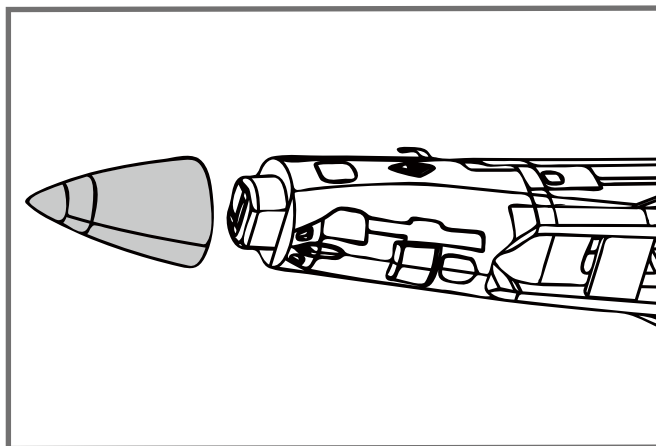
2. Carefully place the plastic part into the pocket.



## Model assembly

### Nose cone installation

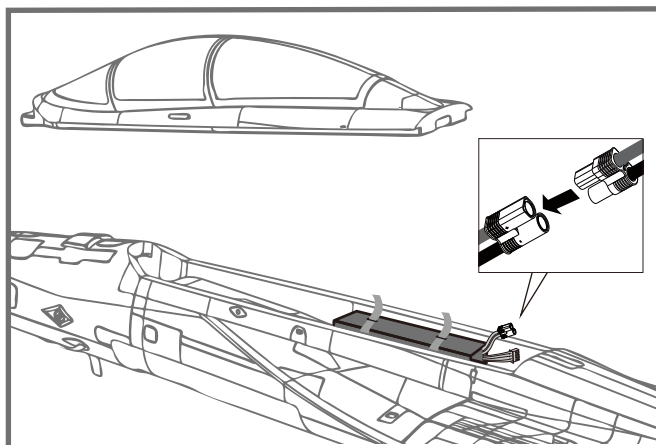
1. Attach the nose cone to the front of the fuselage; the nose cone is held in place with a magnet. Please note that the orientation of the nose cone is correct.



## Battery installation

1. Pull back on the latch, releasing the canopy.
2. Remove the canopy, revealing the battery compartment.
3. Apply hook and loop tape to the battery.
4. Install a fully charged battery into the battery compartment, with the battery cables facing aft.

Note: The center of gravity can be adjusted by moving the battery forward or aft. Having the correct center of gravity is critical to achieving proper flight characteristics.



## Receiver wiring diagram

The cables from the servo connector board should be connected to your receiver in the order shown. Note that the rudder channel controls both the steering servo and the rudder surface. The LEDs can be powered by any spare channel on the receiver. Tuck the wire leads into the recessed cavity towards the rear of the battery hatch.

		Receiver
Aileron	1	Channel-1 —Aile
Elevator	2	Channel-2 —Elev
Throttle	3	Channel-3 —Thro
Rudder	4	Channel-4 —Rudd
Gear	5	Channel-5 —Gear
Flap	6	Channel-6 —Flap

## Get your model ready to fly

### Important ESC and model information

1. The ESC included with the model has a safe start. If the motor battery is connected to the ESC and the throttle stick is not in the low throttle or off position, the motor will not start until the throttle stick is moved to the low throttle or off position. Once the throttle stick is moved to the low throttle or off position, the motor will emit a series of beeps. Several beeps with the same tune means the ESC has detected the cells of the battery. The count of the beeps equals the cells of the battery. The motor is now armed and will start when the throttle is moved.
2. The motor and ESC come pre-connected and the motor rotation should be correct. If for any reason the motor is rotating in the wrong direction, simply reverse two of the three motor wires to change the direction of rotation.
3. The motor has an optional brake setting. The ESC comes with the brake switched off and we recommend that the model be flown with the brake off. However, the brake could be accidentally switched on if the motor battery is connected to the ESC while the throttle stick is set at full throttle. To switch the brake off, move the throttle stick to full throttle and plug in the motor battery. The motor will beep one time. Move the throttle stick to low throttle or the off position. The motor is ready to run and the brake will be switched off.
4. Battery selection and installation. We recommend the 22.2V 3300mAh 35C Li-Po battery. If using another battery, the battery must be at least a 22.2V 3300mAh 35C battery. Your battery should be approximately the same capacity, dimension and weight as the 22.2V 3300mAh 35C Li-Po battery to fit the fuselage without changing the center of gravity significantly.

### Transmitter and model setup

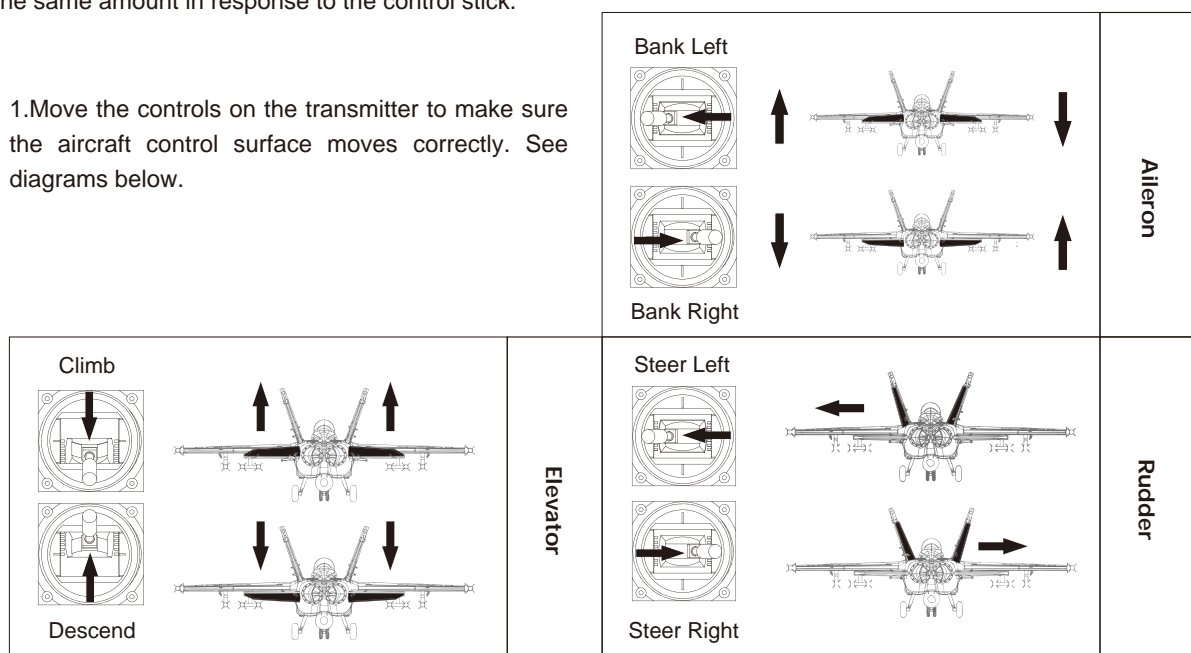
Before getting started, bind your receiver to your transmitter. Please refer to your transmitter manual for tips on the proper operation of your particular system.

**CAUTION:** To prevent personal injury, ensure that your aircraft is properly held down or anchored, prior to powering on the aircraft. DO NOT arm the ESC or turn on your transmitter until you are instructed to do so by the transmitter manual.

**TIPS:** Make sure all control sticks on your radio are in the neutral position (rudder, elevator, ailerons) and the throttle is in the OFF position.

Make sure both ailerons move up and down (travel) the same amount. This model tracks well when the left and right ailerons travel the same amount in response to the control stick.

1. Move the controls on the transmitter to make sure the aircraft control surface moves correctly. See diagrams below.



## Get your model ready to fly

### Check the control throws

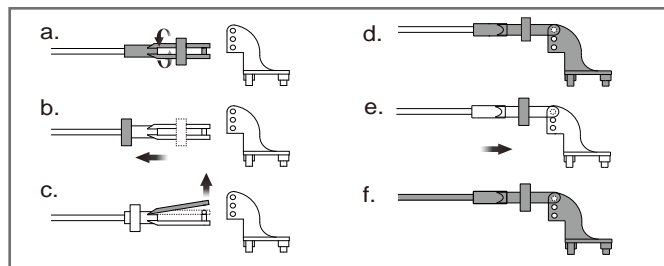
The suggested control throw setting for the F/A-18F are as follows (dual rate setting):

Tips: On first flight, fly the model in low rate. The first time you use high rates, be sure to fly at low to medium speeds. High rate, as listed, is only for EXTREME maneuvering.

	High Rate	Low Rate
Elevator	16mm up/down	12mm up/down
Aileron	14mm up/down	10mm up/down
Rudder	16mm left/right	12mm left/right

## Clevis installation

1. Pull the tube from the clevis to the linkage.
2. Carefully spread the clevis, then insert the clevis pin into the desired hole in the control horn.
3. Move the tube to hold the clevis on the control horn.



## Control horn and servo arm settings

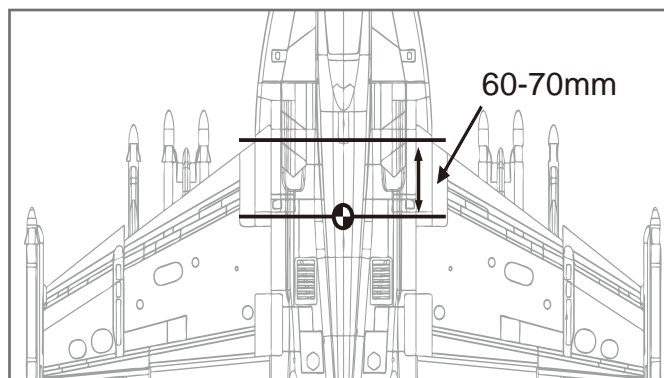
1. The table shows the factory settings for the control horns and servo arms. Fly the aircraft at the factory settings before making changes.
2. After flying, you may choose to adjust the linkage positions for the desired control response. See the table to the below.

	Horns	Arms	
Elevator			<p>More control throw</p> <p>Less control throw</p>
Rudder			
Ailerons			

## Check the C.G. (Center of gravity)

When balancing your model, adjust the battery as necessary so the model is level or slightly nose down. This is the correct balance point for your model. After the first flights, the CG position can be adjusted for your personal preference.

1. The recommended Center of Gravity (CG) location for your model is (60-70mm) from the leading edge of the main wing (as shown) with the battery pack installed. Mark the location of the CG on top of the wing.
2. When balancing your model, support the plane at the marks made on the bottom of the main wing with your fingers or a commercially available balancing stand. This is the correct balance point for your model. Make sure the model is assembled and ready for flight before balancing.





## Before flying the model

### Find a suitable flying site

Find a flying site clear of buildings, trees, power lines and other obstructions. Until you know how much area will be required and have mastered flying your plane in confined spaces, choose a site which is at least the size of two to three football fields - a flying field specifically for R/C planes is best. Never fly near people - especially children, who can wander unpredictably.

### Perform the range check for your plane

As a precaution, an operational ground range test should be performed before the first flight each time you go out. Performing a range test is a good way to detect problems that could cause loss of control such as low batteries, defective or damaged radio components, or radio interference. This usually requires an assistant and should be done at the actual flying site you will be using.

First turn on the transmitter, then install a fully-charged battery into the fuselage. Connect the battery and install the hatch.

Remember, use care not to bump the throttle stick. Otherwise, the propeller/fan will turn and possibly cause damage or injury.

**Note:** Please refer to your Transmitter Manual that came with your radio control system to perform a ground range check. If the controls are not working correctly or if anything seems wrong, do not fly the model until you correct the problem. Make certain all the servo wires are securely connected to the receiver and the transmitter batteries have a good connection.

### Monitor your flight time

Monitor and limit your flight time using a timer (such as on a wristwatch or in your transmitter if available). When the batteries are getting low you will usually notice a performance drop before the ESC cuts off motor power, so when the plane starts flying slower you should land. Often (but not always) power can be briefly restored after the motor cuts off by holding the throttle stick all the way down for a few seconds.

To avoid an unexpected dead-stick landing on your first flight, set your timer to a conservative 4 minutes. When your alarm sounds you should land right away.

## Flying your model

### Take off

While applying power, slowly steer to keep the model straight. The model should accelerate quickly. As the model gains flight speed you will want to climb at a steady and even rate. It will climb out at a nice angle of attack (AOA).

### Flying

Always choose a wide-open space for flying your plane. It is ideal for you to fly at a sanctioned flying field. If you are not flying at an approved site always avoid flying near houses, trees, wires and buildings. You should also be careful to avoid flying in areas where there are many people, such as busy parks, schoolyards, or soccer fields. Consult laws and ordinances before choosing a location to fly your aircraft. After takeoff, gain some altitude. Climb to a safe height before trying technical manoeuvres, including high speed passes, inverted flight, loops, and point rolls.

### Landing

Land the model when you hear the motor pulsing (LVC) or if you notice a reduction in power. If using a transmitter with a timer, set the timer so you have enough flight time to make several landing approaches.

The model's three point landing gear allows the model to land on hard surfaces. Align model directly into the wind and fly down to the ground. Fly the airplane down to the ground using 1/4-1/3 throttle to keep enough energy for proper flare. Before the model touches down, always fully decrease the throttle to avoid damaging the propeller or other components. The key to a great landing is to manage the power and elevator all the way to the ground and set down lightly on the main landing gear. After a few flights you will find the model can be set down lightly on the mains and you can hold the nose wheel off balancing the model on the mains until it slows and gently settles the nose.

### Maintenance

Repairs to the foam should be made with foam safe adhesives such as hot glue, foam safe CA, and 5min epoxy. When parts are not repairable, see the Spare Parts List for ordering by item number.

Always check to make sure all screws on the aircraft are tightened. Pay special attention to make sure the spinner is firmly in place before every flight.

## Troubleshooting

Problem	Possible Cause	Solution
Aircraft will not respond to the throttle but responds to other controls	- ESC is not armed - Throttle channel is reversed	- Lower throttle stick and throttle trim to lowest settings - Reverse throttle channel on transmitter
Excessive vibration or noise from the fan unit	- Damaged blades - loose motor mount - Reversed polarity	- Replace damaged fan unit - Inspect and tighten bolts for the motor or fan assembly - Reverse motor polarity (only if confirmed)
Reduced flight time or aircraft underpowered	- Flight battery charge is low - Flight battery damaged	- Completely recharge flight battery - Replace flight battery and follow flight battery instructions
Control surface does not move, or is slow to respond to control	- Control surface, control horn, linkage or servo damage - Wire damaged or connections loose	- Replace or repair damaged parts and adjust controls - Do a check of connections for loose wiring
Controls reversed	Channels are reversed in the transmitter	Do the Control Direction Test and adjust controls for aircraft and transmitter
- Motor loses power - Motor power pulses then motor loses power	- Damage motor, or battery - Loss of power to aircraft - ESC uses default soft Low Voltage Cutoff(LVC)	- Do a check of batteries, transmitter, receiver, ESC, motor and wiring for damage (replace as needed) - Land aircraft immediately and recharge flight battery
LED on receiver flashes slowly	Power loss to receiver	- Check connection from ESC to receiver - Check servos for damage - Check linkages for binding

## Spare parts list content

FMSRF101	Fuselage	FMSRF115	Landing gear cover
FMSRF102	Main wing set	FMSRF116	Linkage rod
FMSRF103	Vertical stabilizer	FMSRF117	Pipe
FMSRF104	Horizontal stabilizer	FMSRF118	Screw set
FMSRF105	Missile-1	FMSRF119	Decal sheet
FMSRF106	Missile-2	FMSRE007	EI retract (plastic)
FMSRF107	Missile-3	FMSRE035	EI retract
FMSRF108	Auxiliary fuel tank	FMSDF12B70	70mm ducted fan
FMSRF109	Cockpit	PRKV1850	2860-kv1850
FMSRF110	Cowl	PRESC013	70a esc
FMSRF111	Front landing gear set		(With 300mm length input cable)
FMSRF112	Main landing gear set	FMSSER9MGDP	9g digital metal gear servo positive
FMSRF113	Front landing gear system	FMSSER9MGDR	9g digital metal gear servo reverse
FMSRF114	Main landing gear system		

Visit our website to see photos of this product: [www.fmsmodel.com](http://www.fmsmodel.com)

# Decal instruction

Please choose one set of decals to apply to your aircraft according to your personal preference.



### Water decal instructions.

The included decals are water decals, they do not have adhesive backings thus are not applied like usual stickers. Do not force them off the backing paper. Please follow these instructions.

1. Make sure your hands are dry. Cut the desired decal off the sheet using scissors.
2. Put the decal in water and leave it there for two minutes to allow the backing paper to fully absorb water.
3. Carefully slide the decal off of the backing paper and apply it to the airframe. (Optional- to help the decal adhere to the fuselage better, apply a small amount of water to the part of the airframe where the decal is to be adhered).
4. Remove excess water by pat-drying with tissue paper, let the decal air dry fully prior to flight.



## Warnhinweise



**WARNUNG:** Lesen Sie die GESAMTE Bedienungsanleitung, um sich vor der Inbetriebnahme mit den Funktionen des Produkts vertraut zu machen.

Wenn das Produkt nicht ordnungsgemäß bedient wird, kann dies zu Schäden am Produkt oder persönlichem Eigentum führen und schwere Verletzungen verursachen.

Dieses Produkt ist kein Spielzeug! Es muss mit Vorsicht und gesundem Menschenverstand betrieben werden.

Andernfalls kann es zu Verletzungen oder Schäden am Produkt oder anderen Sachwerten führen. Dieses Produkt ist nicht für den Betrieb durch Kinder ohne direkte Aufsicht von Erwachsenen vorgesehen.

Diese Anleitung enthält Hinweise zu Sicherheit und Wartung. Es ist wichtig, dass vor der Verwendung alle Anweisungen und Warnungen in der Anleitung gelesen und befolgt werden, um Schäden oder schwere Verletzungen zu vermeiden.

## Sicherheitsvorkehrungen

Als Benutzer dieses Produkts sind Sie allein dafür verantwortlich dieses Produkt so zu betreiben, dass weder Sie selbst noch andere gefährdet oder Schäden am Produkt oder Eigentum anderer verursacht werden.

Dieses Modell wird von einem Funksignal gesteuert, das von vielen Quellen außerhalb Ihrer Kontrolle gestört werden kann. Solche Störungen können zu einem vorübergehenden Kontrollverlust führen. Daher sollte immer einen Sicherheitsabstand zu Personen und Gebäuden eingehalten werden.

Altersempfehlung: Nicht für Kinder unter 14 Jahren. Dies ist kein Spielzeug.

- Betreiben Sie Ihr Modell niemals mit leeren Senderbatterien.
- Betreiben Sie Ihr Modell immer in einem offenen Bereich, abseits von Gebäuden, Verkehr oder Personen.
- Befolgen Sie die gesetzlichen Regelungen Ihres Landes zum Betrieb von ferngesteuerten Modellflugzeugen.
- Befolgen Sie sorgfältig die Anweisungen und Warnungen für dieses und alle unterstützenden Geräte, die Sie verwenden (Ladegeräte, wiederaufladbare Akkus usw.).
- Bewahren Sie alle Chemikalien, Kleinteile und elektrischen Geräte außerhalb der Reichweite von Kindern auf.
- Feuchtigkeit verursacht Schäden an der Elektronik. Vermeiden Sie, dass die Produkte Wasser ausgesetzt werden, die nicht speziell für diesen Zweck entworfen und geschützt sind.
- Nehmen Sie Teile des Produkts niemals in den Mund, da dies zu schweren Verletzungen oder sogar zum Tod führen kann.

## Hinweise zu LiPo-Akkus

**VORSICHT:** Befolgen Sie immer die Anweisungen des Herstellers zur sicheren Verwendung und Entsorgung von Batterien. Durch falsche Handhabung von Li-Po-Batterien können Feuer, Sachschäden oder schwere Verletzungen verursacht werden.

- Seien Sie sich über alle Risiken klar, die mit dem Umgang von Lithium Polymer (LiPo) Akkus verbunden sind. Wenn die Akkus zu irgendeinem Zeitpunkt anschwellen oder aufblähen, verwenden Sie diese auf keinen Fall mehr!
- Um die Lebensdauer des Akkus zu verlängern sollten dieser bei Zimmertemperatur in einem trockenen Bereich gelagert werden. Bewahren Sie den Akku oder das Modell nicht in einem Auto oder in direktem Sonnenlicht auf. Wenn der Akku über einen längeren Zeitraum zu hohen Temperaturen ausgesetzt wird kann dieser beschädigt werden oder sogar Feuer fangen.
- Verwenden Sie niemals ein NiMh-Ladegerät, um Li-Po-Akkus aufzuladen. Wenn der Akku nicht mit einem Li-Po-kompatiblen Ladegerät geladen wird, kann dies zu einem Brand führen, der zu Personen- und Sachschäden führen kann.
- Niemals Li-Po Zellen unter 3V entladen.
- Lassen Sie Akkus beim Laden niemals unbeaufsichtigt.
- Laden Sie niemals beschädigte Akkus auf.
- Aufladen des LiPo-Akkus: Verwenden Sie ein Ladegerät, das die Li-Po-Batterie sicher aufladen kann. Lesen Sie vor dem Gebrauch die Anweisungen des Ladegeräts sorgfältig durch. Achten Sie beim Laden des Akkus darauf, dass sich der Akku auf einer hitzebeständigen Oberfläche befindet. Es wird auch dringend empfohlen, den Li-Po Akku in einem feuerbeständigen LiPo-Koffer zu laden. LiPo Koffer finden Sie bei Ihrem Fachhändler oder im Internet.

## Einleitung

Die F/A-18 Super Hornet von FMS mit einer Spannweite von 104 cm ist ein sehr detailliertes Modell aus EPO Schaum. Das Modell zeichnet sich durch viele neue Konstruktions- und Montagemerkmale aus, wie die optimierte Schraubmontage, vorinstallierte Kugelgelenke und einen Heavy-Duty Flügelholm. Dank dieser Montagemerkmale ist eine sehr schnelle Montage und Demontage möglich. Des weiteren bietet das Modell der F/A-18 Super Hornet viele Scale Details, einem detaillierten Cockpit mit Pilot, Landeklappen, gefedertes und CNC gefrästes Einziehfahrwerk und vier verschiedene Aufkleber-Sets

Mit dem neuen, starken 70mm Brushless EDF Antrieb mit einem 12 Blatt Impeller und einem 6S Lipo Akku erlangt das Modell eine sehr hohe Fluggeschwindigkeit und eine exzellente Performanz. Dank des gefederten Einziehfahrwerks mit großen Rädern sind Starts und Landungen auch auf Graspisten möglich.

Die bereits eingebauten Servos verrichten ihre Arbeit schnell und zuverlässig. Der Zugang zum Antriebsakku erfolgt durch die abnehmbare Kabinenhaube.

### Features:

- 70mm 12-Blatt EDF, 2860-KV1850 Brushless Motor System
- Hochwertiger Predator 70A Brushless Regler
- gefedertes Metall Fahrwerk, CNC gefräst
- funktionsfähige Landeklappen
- detailliertes Cockpit
- einfache Montage und Demontage
- Umweltfreundliche, wasserbasierende Farbe für eine bessere Erkennung
- vier verschiedene Aufkleber-Sets

## Inhaltsverzeichnis

Einleitung ..... 13

Lieferumfang ..... 13

Montage des Modells ..... 14

Einsetzen des Akkus ..... 16

Anschluss an den Empfänger ..... 16

Flugvorbereitungen ..... 17

Wichtige Informationen zum Regler ..... 17

Testen der Steuerfunktionen ..... 17

Ruderausschläge ..... 18

Montage der Gabelköpfe ..... 18

Ruderhorn- und Servoarm-Einstellungen ..... 18

Schwerpunkt ..... 18

Vor dem Erstflug ..... 19

Fluggrundlagen ..... 19

Problemlösungen ..... 20

Ersatzteile ..... 20

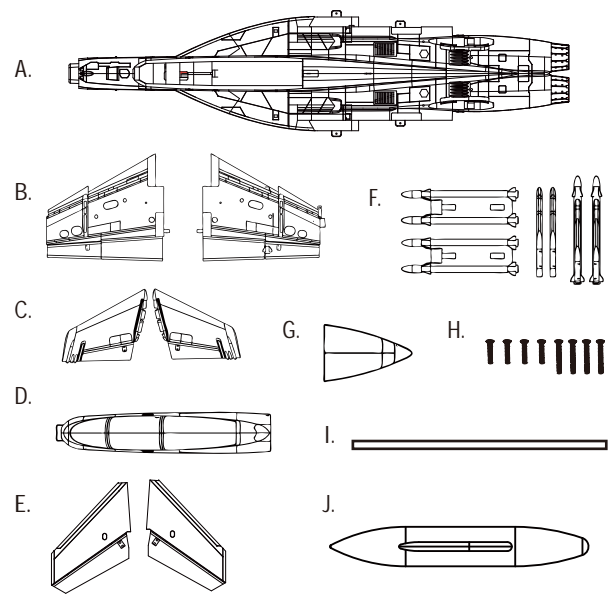
Bedienungsanleitung zum Regler ..... 21

## Lieferumfang

Bitte überprüfen Sie vor der Endmontage ob alle Teile des Modells enthalten sind. Das folgende Bild zeigt den Inhalt des Kits.

Sollten Teile fehlen notieren Sie sich bitte den Namen und die Teilenummer (siehe Ersatzteilliste am Ende dieser Bauanleitung) und kontaktieren Sie Ihren lokalen Händler oder senden Sie uns eine E-Mail an [info@d-powermodellbau.com](mailto:info@d-powermodellbau.com)

Technische Daten	
<b>Spannweite:</b>	875 mm
<b>Gesamtlänge:</b>	1186 mm
<b>Fluggewicht:</b>	ca. 2100 g
<b>Motor:</b>	Brushless 2860-KV1850
<b>Flächenbelastung:</b>	108 g/dm <sup>2</sup>
<b>Flächeninhalt:</b>	19.3 dm <sup>2</sup>
<b>Regler:</b>	70A
<b>Servo:</b>	9x 9g Servo MG



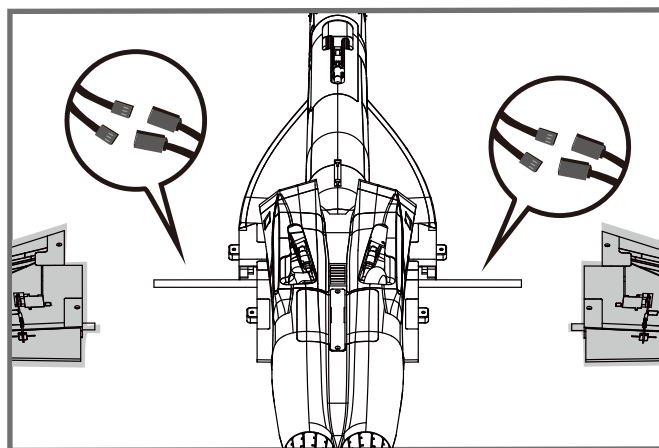
- A: Rumpf  
 B: Tragflächen  
 C: Höhenruder  
 D: Kabinenhaube  
 E: Seitenruder  
 F: Raketen Set  
 G: Nase  
 H: Anlenkungen und Schrauben  
 I : Flächensteckungsrohr  
 J : Öl-Tank

## Montage des Modells

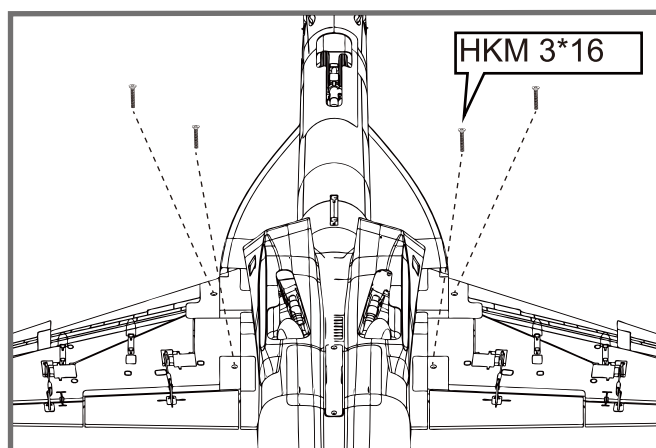
### Montage der Tragflächen

1. Schieben Sie das Steckrohr in den Rumpf und stecken Sie dann beide Flügel in den jeweils vorgesehenen Schlitz im Rumpf.

Hinweis: Die Anschlüsse an beiden Seiten sollten genau und fest angebracht sein.



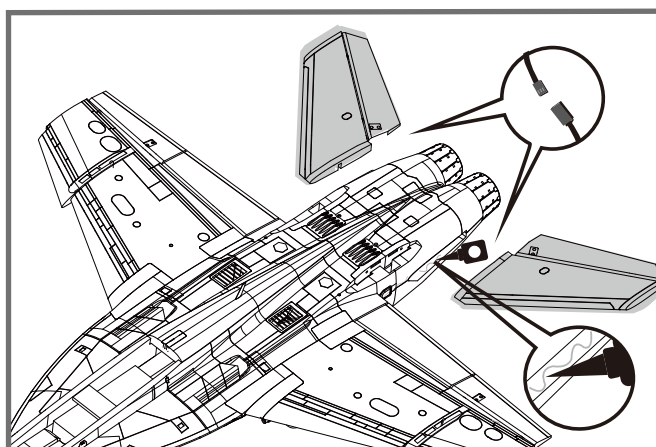
2. Sichern Sie die Tragflächen bei den beiliegenden Schrauben.



### Montage des Höhenruders

1. Schließen Sie die Servo-Kabelstecker an die Kabel im Rumpf an.

2. Tragen Sie vorsichtig Sekundenkleber auf die Rumpfteile wie in der Abbildung zu sehen. Platzieren Sie die Höhenleitwerke.

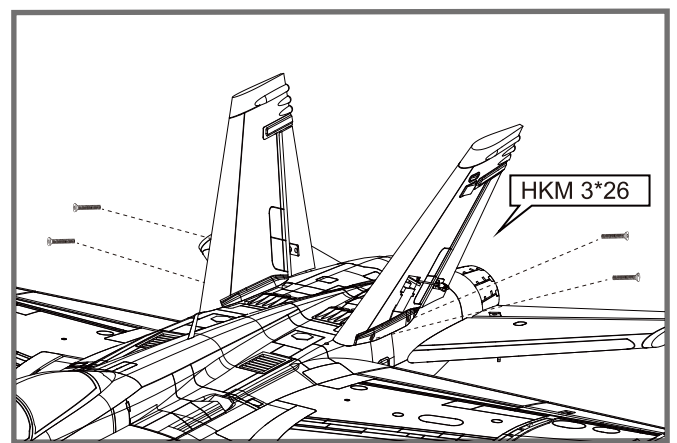
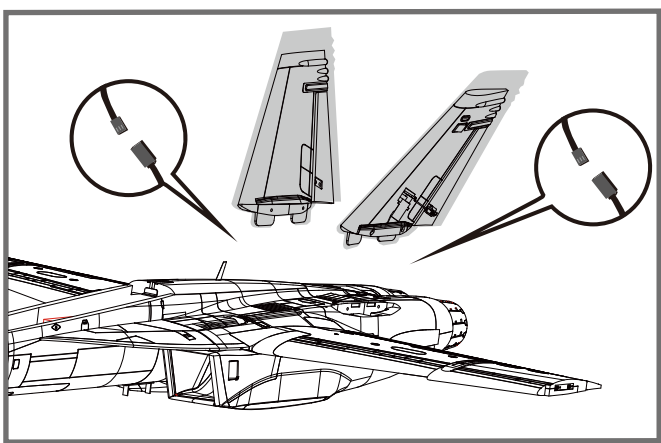


# Montage des Modells

## Montage des Seitenruders

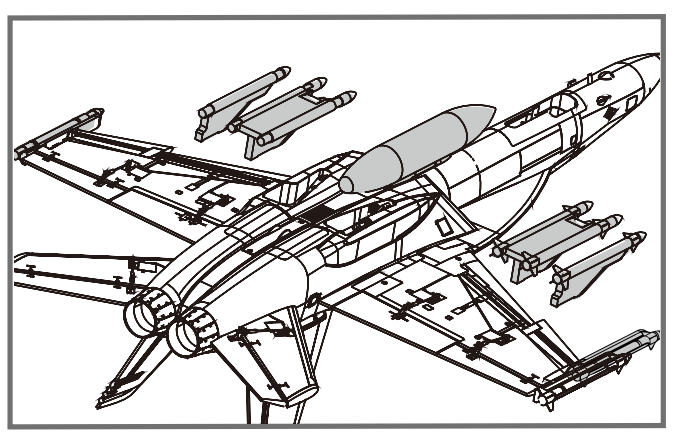
- 1. Stecken Sie das Leitwerk in den Schlitz am Rumpf.
- 2. Befestigen Sie das Leitwerk mit den mitgelieferten Schrauben.

Hinweis: Schließen Sie die Servo-Kabelstecker an die Kabel im Rumpf an.



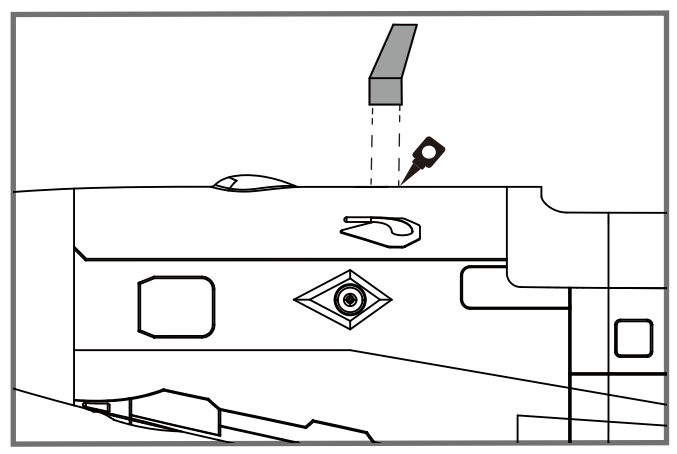
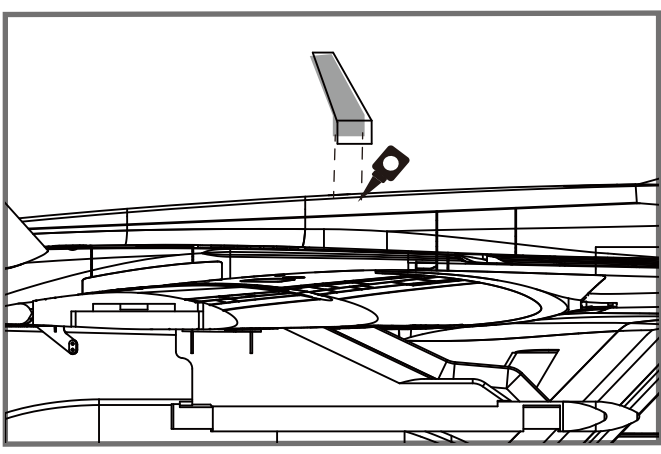
## Montage der Raketen

- 1. Stecken Sie die Raketen wie abgebildet in die entsprechenden Vorrichtungen



## Installation der Scale Teile

- 1. Tragen Sie vorsichtig wie abgebildet CA Kleber in den Schlitz am Rumpf auf.
- 2. Stecken Sie wie abgebildet das Kunststoffteil in den Schlitz.

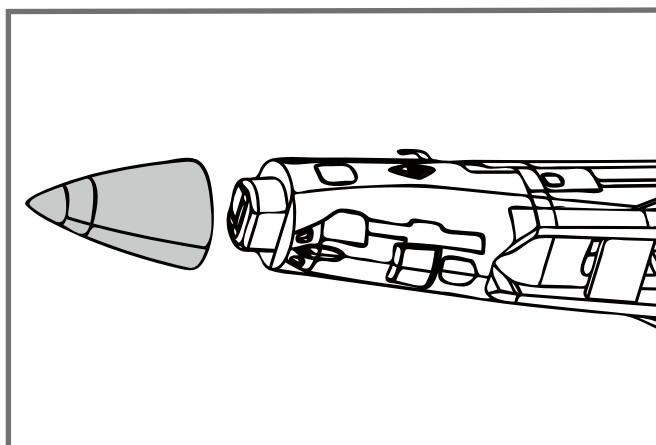




## Montage des Modells

### Anstecken der Nase

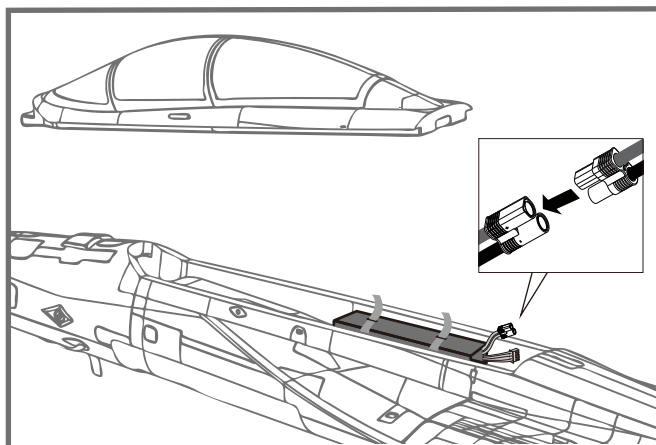
1. Bringen Sie die Nase wie gezeigt an den vorderen Rumpf an



### Einsetzen des Flugakkus

1. Entfernen Sie die Kabinenhaube und öffnen die Akkubefestigungslaschen.
2. Befestigen Sie das Klettband am Akku.
3. Schieben Sie den voll geladenen Akku ans hintere Ende des Rumpfes in das Akkufach.

Hinweis: Eventuell müssen Sie den Akku noch leicht verschieben können um den korrekten Schwerpunkt zu erreichen.



### Anschluss an den Empfänger

Schließen Sie das Kabel des Querruderservos am Querruderanschluss (AILE) Ihres Empfängers an. Das Höhenruderservo wird in den Höhenruderanschluss (ELEV) des Empfängers gesteckt. Das Seitenruder Servo in den Seitenruderanschluss (RUDD). Schließen Sie den Regler am Gaskanal (THRO) ihres Empfängers an. Der Stecker für die LED-Beleuchtung kann an einem freien Steckplatz angeschlossen werden. Verstauen Sie die Kabel im vertieften Hohlraum am hinteren Ende des Akkufachs.

		<b>Receiver</b>
<b>Querruder</b>	1	Channel-1 — Quer
<b>Höhenruder</b>	2	Channel-2 — Höhe
<b>Gas</b>	3	Channel-3 — Gas
<b>Seitenruder</b>	4	Channel-4 — Seit
<b>Landegestell</b>	5	Channel-5 — Land
<b>Klappen</b>	6	Channel-6 — Klapp

# Flugvorbereitungen

## Wichtige Informationen zum Regler

1. Der eingebaute Regler ist mit einer Sicherheitsschaltung versehen. Sollte der Akku angeschlossen sein und der Gashebel nicht auf niedrig / Motor aus stehen, wird der Motor nicht starten. Wird der Gashebel ganz nach unten bewegt erzeugt der Regler eine Tonserie. Töne in der gleichen Höhe geben die Anzahl der Zellen an die der Regler gezählt hat. Diese ist gleich mit der Zellenanzahl des Akkus. Der Regler ist jetzt scharf geschaltet und startet den Motor wenn der Gashebel bewegt wird.
2. Motor und Regler sind bereits verkabelt und auch die Drehrichtung des Motors sollte korrekt sein. Sollte der Motor in die falsche Richtung drehen, tauschen Sie zwei der drei Motoranschlusskabel um die Richtung wieder zu ändern.
3. Der Regler ist mit einer optionalen Bremse ausgestattet. Wir empfehlen das Modell mit der deaktivierten Bremse zu fliegen. Es ist möglich die Bremse versehentlich zu aktivieren wenn der Akku mit dem Regler verbunden wird und der Gashebel auf Vollgas steht. Um die Bremse wieder auszuschalten gehen Sie mit dem Gashebel wieder auf Vollgas und verbinden den Akku. Vom Motor ertönt ein Piepton. Bewegen Sie den Gashebel auf Leerlauf oder Motor aus. Der Motor ist dann betriebsbereit und die Bremse ausgeschaltet.
4. Akkuauswahl und Einbau: Wir empfehlen einen Lipo Akku mit 22.2V (6S), 35C und 3300mah. Sollten Sie einen anderen Akku verwenden muß dieser mindestens die gleichen Spezifikationen in Leistung und Abmessung aufweisen. damit der Schwerpunkt nicht wesentlich geändert wird.

## Testen der Steuerfunktionen

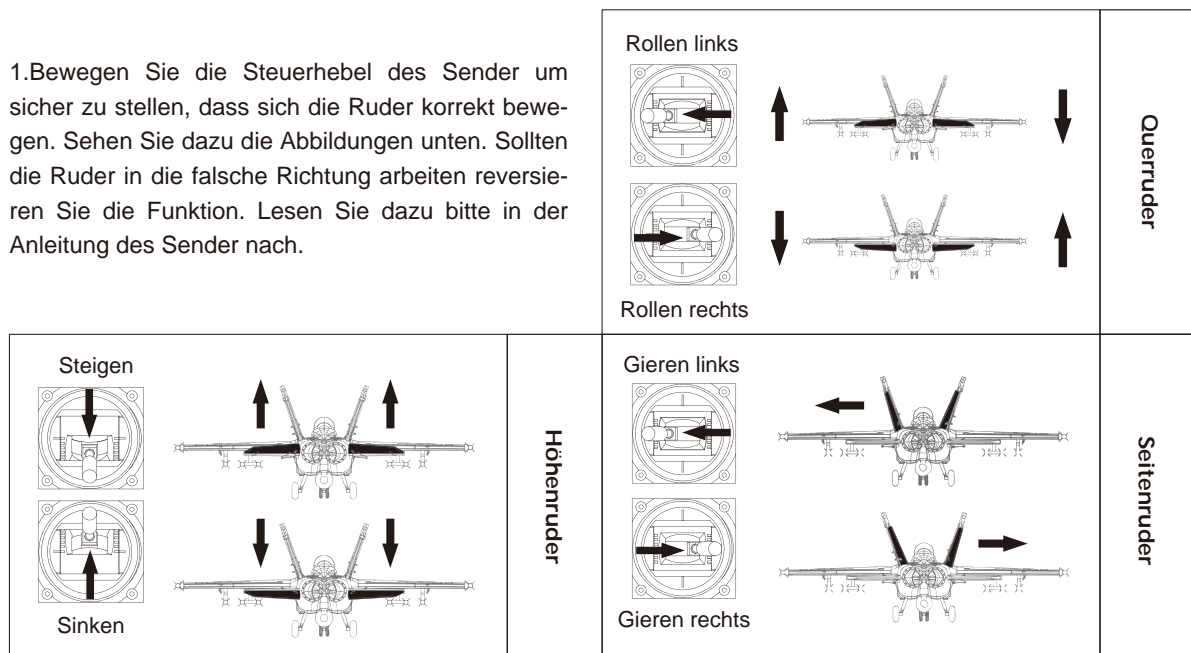
Bevor Sie mit diesem Schritt beginnen, binden Sie bitte der Anleitung ihres Senders entsprechend den Empfänger mit dem Sender.

**ACHTUNG:** Um mögliche Verletzungen zu vermeiden darf der Propeller bei dem Testen der Ruder NICHT auf der Welle montiert sein. Armieren Sie den Regler NICHT und schalten auch nicht den Sender ein bevor es in der Anleitung des Senders vorgeben wird.

**TIPP:** Stellen Sie sicher, dass alle Steuerhebel auf dem Sender auf der neutralen Position sind und der Gashebel auf Motor aus.

Stellen Sie sicher, dass beide Querruder den gleichen Weg im Verhältnis zum Steuerknüppelausschlag ausschlagen.

1. Bewegen Sie die Steuerhebel des Sender um sicher zu stellen, dass sich die Ruder korrekt bewegen. Sehen Sie dazu die Abbildungen unten. Sollten die Ruder in die falsche Richtung arbeiten reversieren Sie die Funktion. Lesen Sie dazu bitte in der Anleitung des Sender nach.



# Flugvorbereitungen

## Ruderausschläge

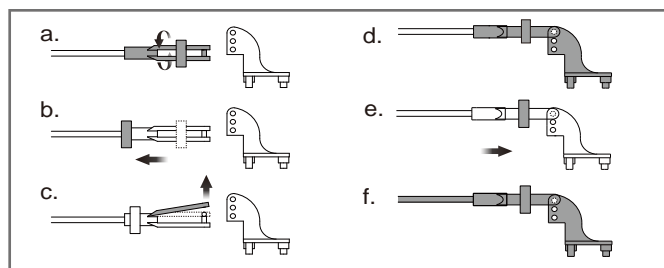
Die empfohlenen Ruderausschlag-Einstellungen sind (Dual Rate):

Tips: Fliegen Sie das Modell beim ersten Flug mit "normalen Ausschlägen". Wenn Sie zum ersten Mal "maximale Ausschläge" verwenden, sollten Sie bei niedrigen bis mittleren Geschwindigkeiten fliegen. Die "maximalen Ausschläge" sind nur für EXTREME Manöver.

	maximale Ausschläge	normale Ausschläge
Höhenruder	16mm oben / unten	12mm oben / unten
Querruder	14mm oben / unten	10mm oben / unten
Seitenruder	16mm links / rechts	12mm links / rechts

## Montage der Gabelköpfe

1. Ziehen Sie den Ring vom Gabelkopf zum Gestänge.
2. Spreizen Sie den Gabelkopf vorsichtig und führen Sie den Gabelkopfstift in das gewünschte Loch im Ruderhorn ein.
3. Befestigen Sie den Ring um den Gabelkopf am Ruderhorn zu halten.



## Ruderhorn- und Servoarm-Einstellungen

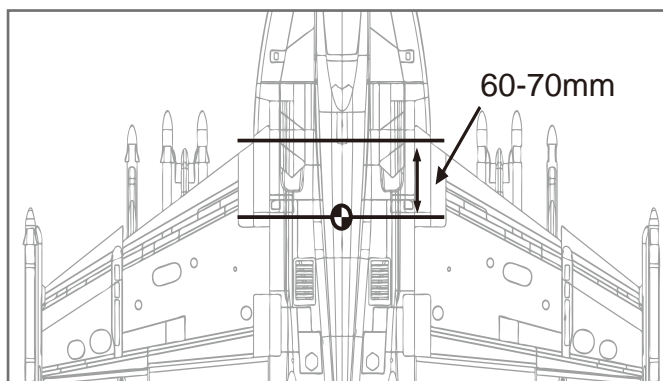
1. Die Tabelle zeigt die Werkseinstellungen für die Ruderhörner und Servoarme. Fliegen Sie das Flugzeug mit den Werkseinstellungen, bevor Sie Änderungen vornehmen.
2. Nach dem Flug können Sie die Einstellungen nach Ihren Wünschen anpassen.

	Ruderhorn	Servoarm	Mehr Ruderausschlag
Höhenruder			
Seitenruder			
Querruder			

## Einstellen des Schwerpunkts

Setzen Sie zum Ausbalancieren des Schwerpunktes des Antriebsakku ein. Richten Sie den Akku so aus, dass das Modell gerade oder mit der Nase leicht nach unten zeigt. Nach den ersten Flügen können Sie dann den Schwerpunkt nach ihren persönlichen Vorlieben einrichten.

1. Der empfohlene Schwerpunkt für das Modell befindet sich mit eingesetztem Akku 60-70 mm von der Tragflächenvorderkante nach hinten gemessen. Markieren Sie den Schwerpunkt auf der Tragflächenoberseite.
2. Balancieren Sie das Modell auf einer Schwerpunktwaage aus. Bitte beachten Sie dass das Modell dabei flugfertig ausgerüstet sein muss.



## Vor dem Erstflug

### Finden Sie einen geeigneten Flugplatz

Finden Sie seinen Flugplatz frei von Gebäuden, Bäumen, Stromleitungen und anderen Hindernissen. Bis Sie wissen, wie viel Fläche Sie zum fliegen brauchen, wählen Sie einen Platz der mindestens die Größe von 2 bis 3 Fussballfeldern hat. Wählen Sie am besten einen RC Flugplatz eines Modellflugvereins. Fliegen Sie dabei niemals in der Nähe von Menschen - besonders von Kindern, die unvorhersehbar handeln könnten.

### Führen Sie einen Reichweitentest für Ihr Modell durch

Als Vorsichtsmaßnahme sollte vor jedem Flug ein Reichweitentest durchgeführt werden, um Probleme zu erkennen, die zu einem Verlust der Kontrolle führen könnten (z.B. schwache Batterien, defekte oder beschädigte Fernsteuerungskomponenten, Funkstörungen).

Dies erfordert einen Kollegen oder Assistenten. Schalten Sie zuerst den Sender ein und schließen Sie einen vollgeladenen Akku im Modell an.

Achten Sie darauf dass sich der Gasknüppel in Neutralstellung befindet. Andernfalls könnten Propeller oder Lüfter Schäden oder Verletzungen verursachen.

Hinweis: Lesen Sie zum Reichweitentest auch die Bedienungsanleitung Ihrer Fernsteuerung.

### Überwachen Sie Ihre Flugzeit

Überwachen oder Begrenzen Sie Ihre Flugzeit mit einem Timer (z.B. auf einer Armbanduhr, einem Smartphone oder auf Ihrem Sender, falls verfügbar).

Wenn der Akku während des Fluges fast leer ist bemerken Sie normalerweise einen Leistungsabfall, bevor der Regler die Motorleistung unterbricht. Wenn das Modell langsamer wird sollten Sie also landen.

Stellen Sie Ihren Timer auf 4 Minuten ein um einen unerwartete Leistungsabfall zu vermeiden. Wenn der Alarm des Timers ertönt sollten Sie landen.

## Fluggrundlagen

### Starten

Beschleunigen Sie das Modell vorsichtig und steuern Sie es langsam um es gerade zu halten. Erhöhen Sie die Beschleunigung und halten Sie eine gleichmäßige Geschwindigkeit um das Modell in einem schönen Anstellwinkel in die Luft steigen zu lassen.

### Fliegen

Wählen Sie immer einen weiten und offenen Platz um das Modell zu fliegen. Besuchen Sie einen RC Flugplatz eines Modellflugvereins. Fliegen Sie auf keinen Fall an Orten, an denen der Betrieb eines ferngesteuerten Flugzeugs nicht zulässig ist (Flughäfen, Naturschutzgebiete, Siedlungen, ...).

Nach dem Start bringen Sie Ihr Modell auf eine sichere Flughöhe, bevor Sie Flugmanöver wie Rollen, Loopings oder ähnliches ausprobieren.

### Landen

Landen Sie das Modell, sobald Sie eine Leistungsreduzierung bemerken oder Ihr eingestellter Timer ertönt. Stellen Sie Ihren Timer so ein, dass Ihnen genug Flugzeit bleibt, um mehrere Landeanflüge zu haben.

Ist das Modell mit einem Fahrwerk ausgestattet können Sie auf harten Pisten landen. Richten Sie das Modell direkt gegen den Wind aus und setzen Sie mit 1/4 bis 1/3 Gas zur Landung an. Bevor das Modell aufsetzt sollte der Gasknüppel in der 0-Stellung stehen um Schäden am Propeller oder anderen Komponenten zu vermeiden.

### Instandhaltung

Reparaturen am Schaummodell sollten mit schaumsicheren Klebstoffen wie Heißkleber, Sekundenkleber speziell für Schaumstoff oder 5.min Epoxy erfolgen.

Wenn teile nicht reparierbar sind finden Sie am Ende dieser Anleitung die Ersatzteilliste mit allen Bestellnummern.

Überprüfen Sie vor und nach jedem Flug ob alle Schrauben am Modell festgezogen sind. Achten Sie insbesondere darauf, dass Spinner und Luftschraube vor jedem Flug fest sitzen und frei drehen.

## Problemlösungen

Problem	Mögliche Ursache	Lösung
Modell nimmt kein Gas an, andere Steuerungsbe- fehle funktionieren aber	- Regler reagiert nicht - Gaskanal ist umgekehrt	- Gasknüppel ist nicht ganz unten oder Trimmung zu hoch - Gaskanal am Sender umkehren
Ungewöhnliche Propel- lergeräusche oder Vibra- tionen	- Spinner, Propeller, Motor oder Motorhalterung defekt - Spinner oder Propeller lose - Propeller falsch herum montiert	- Defekte Teile austauschen - Lose Teile befestigen - Propeller richtig montieren
Zu kurze Flugdauer oder Antrieb ist nicht kraftvoll genug	- Flugakku ist zu leer - Propeller falsch herum montiert - Flugakku defekt	- Vollständiges Aufladen des Flugakkus - Flugakku ersetzen
Ruder bewegen sich nicht oder reagieren nur langsam auf Steuerbefeh- le	- Ruder, Ruderörner, Anlenkung oder Servo beschädigt - Kabel beschädigt oder Servostecker lose	- Austauschen oder Reparieren der defekten Teile - Kabel und Stecker überprüfen
Ruder schlangen in die fa- lsche Richtung aus	Kanäle auf dem Sender sind umgekehrt	Testen der Servowegeinstellungen und Konfiguration der Kanäle am Sender
- Motor verliert Leistung	- Motor oder Akku defekt - Stromzufuhr unterbrochen	- Akku, Empfänger, Regler, Motor und Verkabelung überprüfen (austauschen bei Defekt) - Modell unverzüglich landen und überprüfen
LED am Empfänger blinkt langsam	Empfänger hat keinen Strom.	- Überprüfen der Verbindung zwischen Regler und Empfänger - Servos auf Defekt überprüfen - Überprüfen ob der Empfänger korrekt mit dem Sender gebu- nden ist

## Ersatzteilliste

FMSRF101	Rumpf	FMSRF115	Fahrwerksabdeckungen
FMSRF102	Tragflächen Set	FMSRF116	Anlenkungsgestänge
FMSRF103	Seitenleitwerk	FMSRF117	Tragflächenrohr
FMSRF104	Höhenleitwerk	FMSRF118	Schrauben Set
FMSRF105	Rakete-1	FMSRF119	Dekorbogen
FMSRF106	Rakete-2	FMSRE007	EL Einziehfahrwerk (Einziehfahrwerk)
FMSRF107	Rakete-3	FMSRE035	EL Einziehfahrwerk
FMSRF108	Öl Tank	FMSDF12B70	70mm Impeller
FMSRF109	Cockpit	PRKV1850	2860-KV1850 Motor
FMSRF110	Haube	PRESC013	70A Regler (Mit 300mm Kabellänge)
FMSRF111	Vorderes Fahrwerk Set	FMSSER9MGDP	9g Digitalservo MG (Positiv)
FMSRF112	Hauptfahrwerk Set	FMSSER9MGDR	9g Digitalservo MG (Reverse)
FMSRF113	Vorderes Fahrwerkssystem		
FMSRF114	Hauptfahrwerkssystem		

Besuchen Sie unsere Webseite um Fotos der Ersatzteile zu sehen: [www.d-power-modellbau.com](http://www.d-power-modellbau.com)

# Dekorbogen aufbringen

Wählen Sie eins der Dekore aus und bekleben das Modell wie abgebildet.



## Wasser Aufkleber aufbringen

Die verschiedenen Dekore sind Wasserabziehbilder. Bitte nur wie unten angegeben lösen / aufbringen.

1. Stellen Sie sicher, dass Ihre Hände trocken sind, und schneiden Sie das Abziehbild vorsichtig mit der Schere aus.
2. Legen Sie den Aufkleber 2 Minuten in Wasser HINWEIS: Der Aufkleber muss vollständig mit Wasser bedeckt sein!
3. Entfernen Sie vorsichtig den Aufkleber vom Trägerpapier und kleben diesen an die vorgesehene Stelle am Modell.
4. Drücken Sie den Aufkleber vorsichtig und blasenfrei mit einem Papiertaschentuch an und saugen Sie das überschüssig Wasser mit einem Papiertaschentuch auf.

HINWEIS: Entfernen Sie den dünnen Film (über den Abziehbildern) erst 24 Stunden später.



**ATTENTION**

**ATTENTION** : Lisez intégralement ce manuel d'utilisation pour vous familiariser avec les caractéristiques de ce produit avant de l'utiliser. Ne pas utiliser correctement ce produit peut entraîner des dommages au produit, aux biens matériels et causer des blessures graves.

Il s'agit d'un produit de loisir technique, sophistiqué, et non d'un jouet. Il doit être utilisé avec précaution et bon sens, et requiert quelques connaissances de base en mécanique. Ne pas utiliser ce produit en sécurité et de manière responsable peut entraîner des blessures ou des dégâts au produit et envers des tiers. Ce produit n'est pas prévu pour une utilisation par des enfants sans la surveillance directe par un adulte.

Ce manuel contient des instructions concernant la sécurité, l'utilisation et l'entretien. Il est essentiel de lire et de suivre toutes les instructions et de respecter les avertissements de ce manuel avant de monter, de régler ou d'utiliser le produit, de façon à l'exploiter correctement et éviter les dégâts ou blessures graves.

## Consignes de sécurité et avertissements

En tant qu'utilisateur de ce produit, vous êtes seul responsable de son utilisation, de manière à ne pas vous mettre en danger, et à ne pas mettre les autres en danger, et à ne pas endommager ce produit ou causer de dégâts à des tiers. Ce modèle est piloté par un signal radio qui peut être soumis à des interférences provenant de sources variées que vous ne contrôlez pas. Ces interférences peuvent causer une perte momentanée de contrôle, aussi est-il prudent de toujours garder une distance de sécurité dans toutes les directions, autour de votre modèle, cette marge vous aidant à éviter les collisions ou les blessures.

Âge recommandé: Ce produit ne doit pas être utilisé par des enfants de moins de 14 ans. Ce n'est pas un jouet.

- N'utilisez jamais votre modèle avec des piles faibles dans l'émetteur.
- Utilisez toujours votre modèle dans un espace vaste, sans véhicules, sans circulation et sans personnes.
- N'utilisez pas le modèle dans les rues, où vous pourriez occasionner des blessures ou des dégâts.
- N'utilisez pas le modèle dans les rues, où vous pourriez occasionner des blessures ou des dégâts.
- Suivez soigneusement les instructions et les conseils de ce manuel et ceux des équipements optionnels (chargeurs, accus rechargeables, etc.).
- Tenez tous les produits chimiques, les petites pièces et tout composant électrique hors de portée des enfants.
- L'humidité peut causer des dégâts à l'électronique. Évitez d'exposer à l'eau les équipements non conçus spécialement à cet effet et spécialement protégés.
- Ne léchez pas, et ne placez aucune partie du modèle dans votre bouche, car cela peut entraîner des blessures graves et même la mort.

## Avertissement concernant les accus Lithium Polymère (LiPo)

Attention: Suivez toujours les instructions du fabricant pour utiliser les accus et vous en débarrasser. Un mauvais usage d'accus LiPo peut entraîner un incendie, des dégâts matériels ou des blessures graves. En manipulant, chargeant ou utilisant des accus LiPo, vous assumez tous les risques associés aux accus au Lithium.

- Si à n'importe quel moment, l'accu commence à gonfler, arrêtez immédiatement de l'utiliser ! Charger ou décharger un accu gonflé peut entraîner un incendie.
- Stockez toujours les accus à température ambiante dans un espace sec pour augmenter la durée de vie de l'accu. Transportez ou stockez toujours les accus dans une plage de températures de 5 à 48 °C. Ne stockez pas les accus ou le modèle dans une voiture ou directement à la chaleur du soleil. Un accu stocké dans une voiture chaude peut être endommagé et éventuellement prendre feu.
- N'utilisez jamais un chargeur pour accus NiMh. Ne pas charger avec un chargeur compatible LiPo peut entraîner un incendie, entraînant des blessures et des dégâts matériels.
- Ne déchargez jamais les éléments LiPo à moins de 3 V par élément.
- Ne laissez jamais une charge se faire sans surveillance.
- Ne chargez jamais un accu endommagé.
- Vous devez charger les accus LiPo uniquement avec un chargeur spécial LiPo. Lisez bien les instructions de votre chargeur avant usage. Quand vous chargez l'accu, vérifiez que l'accu est sur une surface ininflammable. Il est également conseillé de placer les accus LiPo dans un sac résistant au feu que vous trouverez facilement dans les magasins de modélisme ou sur les boutiques en ligne.



## Introduction

Nouveau chez FMS, voici le F/A-18F Super Hornet, ultra-détaillé. Le F/A-18F Super Hornet est un avion multirôle biplace en tandem, conçu pour les porte-avions, pouvant assurer le rôle de chasseur ou d'avion d'attaque. Il est basé sur le McDonnell Douglas F/A-18 Hornet. Conçu et produit au départ par McDonnell Douglas, le Super Hornet a volé pour la première fois en 1995. Le Super Hornet est entré en service dans l'US Navy en 1999, pour remplacer les Grumman F-14 Tomcat, qui ont été totalement retirés en 2006. Les Super Hornet sont en service en parallèle avec les Hornet d'origine.

FMS est fier de vous proposer ce tout nouveau et très détaillé F/A-18F Super Hornet à turbine électrique de 70 mm. Il intègre nombre des particularités de fabrication et de montage de FMS comme l'assemblage optimisé à l'aide de vis, les commandes sur rotules pré-installées et un longeron d'aile renforcé. Ainsi, le Super Hornet est rapide à monter et à démonter. Basé sur le F/A-18 Hornet à turbine électrique de 64 mm initial, le F/A-18F Super Hornet à turbine électrique de 70 mm est riche en détails, avec les lignes de structure, il dispose d'un train suspendu usiné en CNC et d'une trappe de cabine à verrou type bouton. Ce kit est livré avec quatre jeux de décalcomanies qui vous permettent de décorer l'avion selon vos désirs et ainsi, qu'il se remarque sur votre site de vol.

L'ensemble de propulsion qui assure une poussée et une vitesse impressionnantes utilise notre ensemble turbine électrique de 70 mm à rotor à 12 pales version 2 avec moteur Kv1850. Cette motorisation musclée, accouplée à un pack LiPo 6S, offre le son et les résonances d'une turbine. La matière utilisée (EPO) assure la durabilité. La peinture à l'eau, bonne pour l'environnement, assure un décor éclatant et brillant. L'ajout de nombreuses pièces en plastique donne un look fantastique à cet avion. Foncez chercher le Super Hornet et découvrez par vous-même ce nouvel ajout à la gamme en perpétuelle expansion de FMS.

Points clés :

- Contrôleur de haute qualité Predator 70A, puissant moteur brushless à rotor interne Kv1850 associés à la turbine de 70 mm à 12 pales V2.
- Ensembles de trains suspendus usinés CNC
- Assemblage vissé
- Trappe à verrou
- Commandes sur rotules pré-installées et guignols offrant plus de débattement.
- 4 jeux de décalcomanies pour personnaliser de décor.

## Table des matières

Introduction .....	23
Contenu du kit .....	23
Montage du modèle .....	24
Mise en place de l'accu .....	26
Diagramme de connexion .....	26
Préparation du modèle au vol .....	27
Informations importantes sur le modèle et sur le contrôleur brushless .....	27
Réglage de l'émetteur et du modèle .....	27
Contrôle du débattement des gouvernes .....	28
Montage des chapes .....	28
Réglage des guignols et des palonniers de servos .....	28
Centrage (C.G.) .....	28
Avant de faire voler le modèle .....	29
Pilotage du modèle .....	29
Dépannage .....	30
Liste de pièces de rechange .....	30
Instructions pour le contrôleur brushless .....	31

## Contenu du kit

Avant le montage, merci de contrôler le contenu du kit. Le schéma ci-dessous détaille le contenu du kit et la numérotation.

Si quelque élément est manquant ou défectueux, identifiez le nom ou le numéro de la pièce (reportez-vous à la liste des pièces de rechange page 17 de ce manuel), puis contactez votre magasin local ou contactez-nous: support@fmsmodel.com

### Caractéristiques

**Envergure : 875 mm (34.45")**

**Longueur hors tout : 1 186 mm (46.69")**

**Poids en ordre de vol : Environ 2 100 g (74.08oz)**

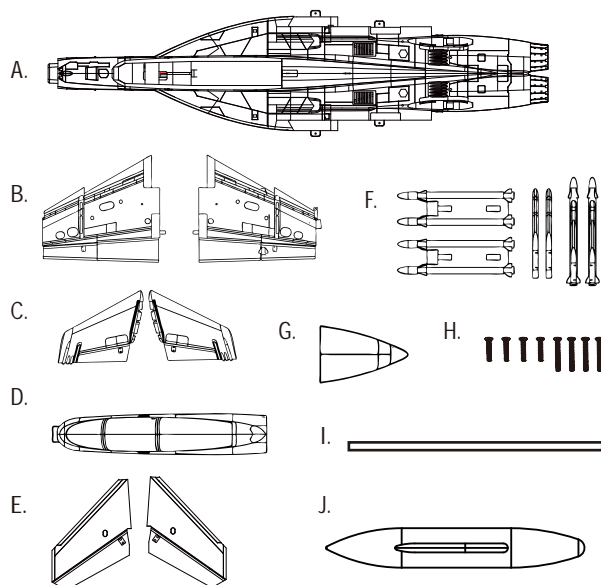
**Format du moteur : Brushless 2860-Kv1850**

**Charge alaire: 108 g/dm<sup>2</sup> (0.24oz/in<sup>2</sup>)**

**Surface alaire: 19.3 dm<sup>2</sup>**

**Contrôleur brushless: 70A**

**Servos: 9 servos 9 grammes**

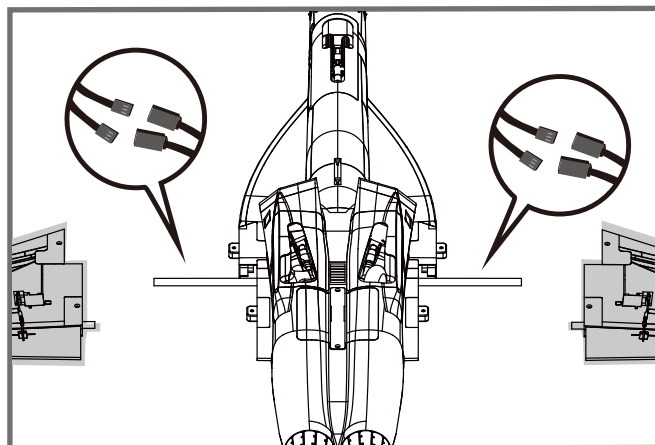


- |                               |                                 |
|-------------------------------|---------------------------------|
| A: Fuselage                   | F: Jeu de missiles              |
| B: Ailes                      | G: Cône de nez                  |
| C: Empennages verticaux       | H: Vis (HKM 4-3*16, HKM 4-3*26) |
| D: Cabine                     | I : Tube en fibre               |
| E: Stabilisateurs horizontaux | J : Réservoir de carburant      |

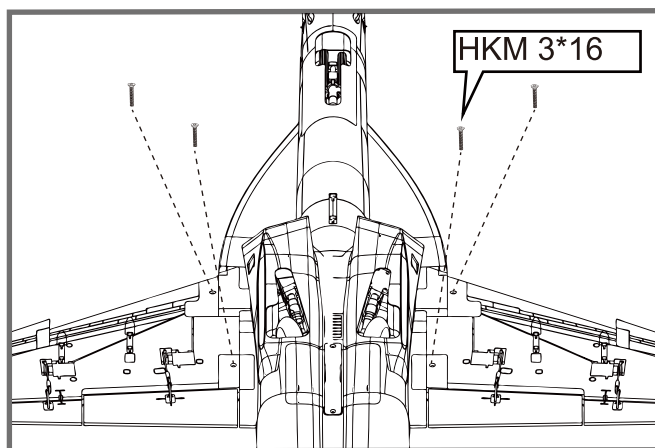
## Montage du modèle

### Installation des ailes

1. Glissez le tube dans le fuselage puis montez les deux ailes sur les tube de clé d'aile et dans les logements d'ailes du fuselage.



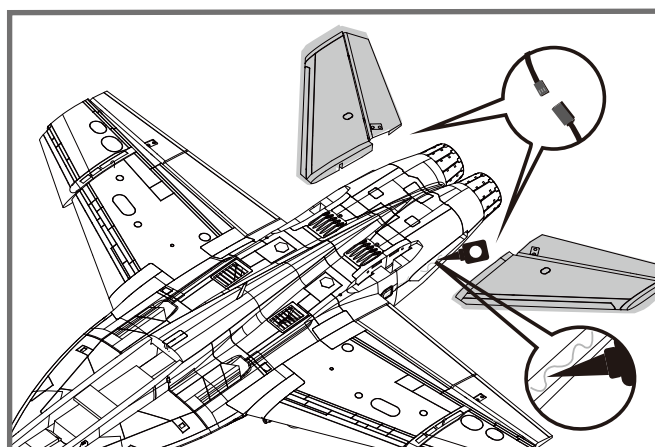
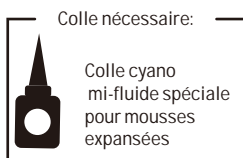
2. Fixez les deux ailes au fuselage à l'aide des vis fournies.



### Installation des stabilisateurs horizontaux

1. Branchez les connecteurs des servos de profondeur sur les rallonges dans le fuselage.

2. Appliquez avec soin de la colle cyano spéciale mousse expansée à la base et sur les côtés des fentes à l'arrière du fuselage. Montez les empennages horizontaux en place.



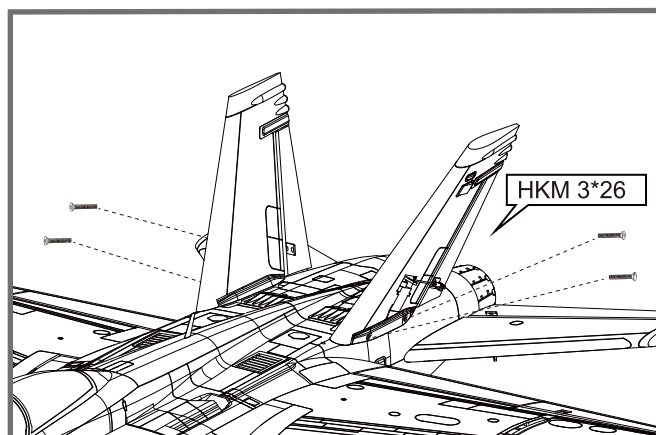
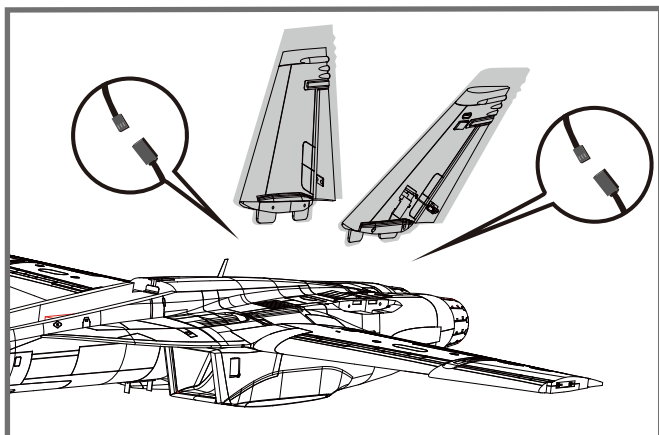
## Montage du modèle

### Installation des empennages verticaux

1. Branchez les connecteurs des servos de direction sur les rallonges dans le fuselage.

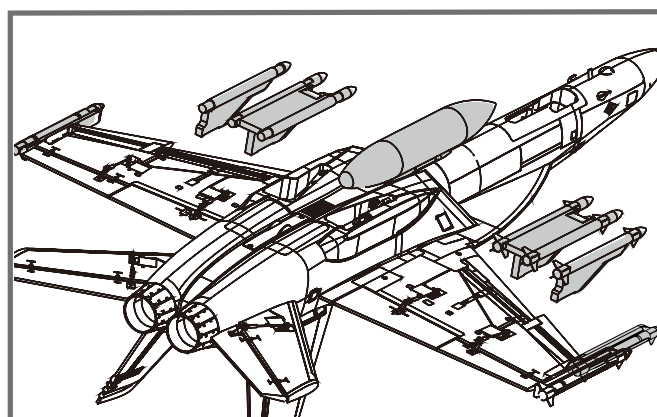
2. Fixez les dérives en place à l'aide des vis fournies.

Note: Glissez les dérives dans les fentes du fuselage.



### Montage des missiles et du réservoir de carburant

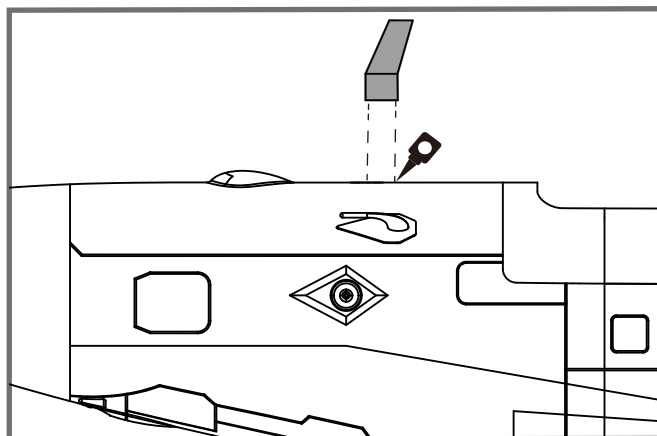
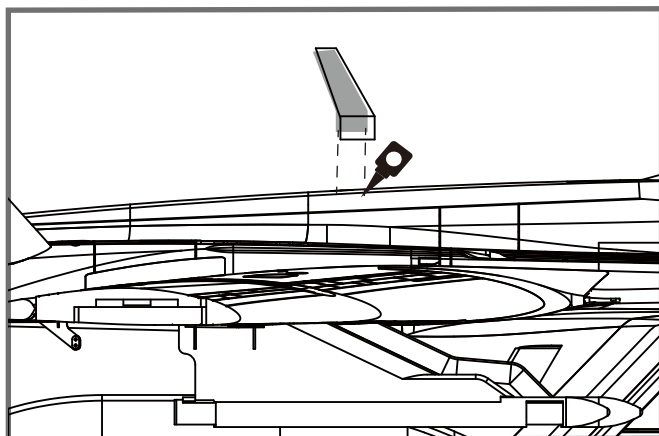
1. Glissez les missiles et le réservoir dans les rails.



### Installation des pièces de finition

1. Appliquez délicatement de la colle cyano-acrylate sur la base et sur les côtés de la fente comme montré.

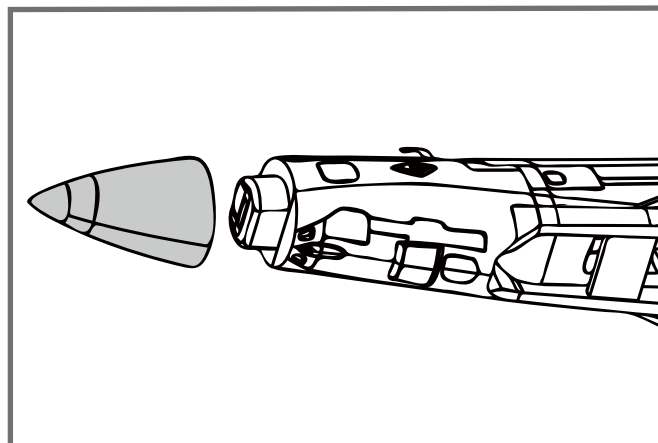
2. Insérez délicatement la pièce plastique dans la fente.



## Montage du modèle

### Montage du cône de nez

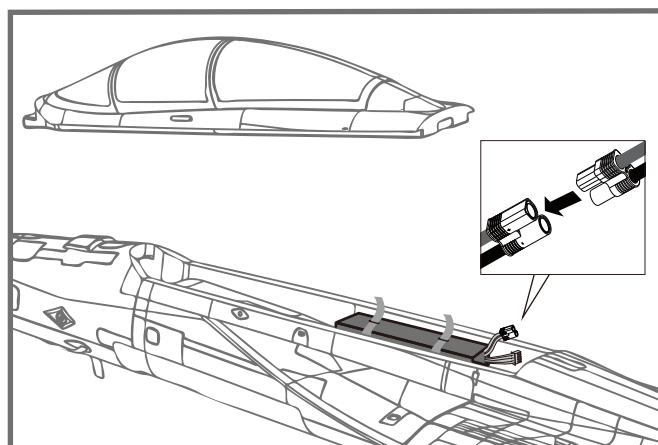
1. Placez le cône de nez à l'avant du fuselage comme montré sur le schéma. Vérifiez que le cône est dans le bon sens.



### Mise en place de l'accu

1. Poussez en arrière le verrou et déposez la trappe d'accès aux accus.
2. Collez le velcro (face à crochets) du côté des câbles de la batterie.
3. Placez l'accu complètement chargé dans le compartiment d'accu avec les câbles d'alimentation vers l'arrière de l'avion.

Note: Vous aurez peut-être à déplacer l'accu afin d'obtenir le bon centrage de votre modèle.



### Diagramme de connexion

Connectez les servos d'ailerons sur la voie des ailerons de votre récepteur. Le faisceau des servos de profondeur se branche sur la voie de la profondeur de votre récepteur. Les servos de direction se branchent sur la voie de la direction. Branchez le connecteur du contrôleur brushless sur la voie des gaz du récepteur.

Branchez les connecteurs des trains et des volets sur les voies respectives du récepteur. Les éclairages à LED se branchent sur n'importe quelle voie libre. Rangez les fils dans la cavité à l'arrière du logement des accus. Logez le récepteur dans son logement.

		Récepteur
<b>Ailerons</b>	1	Channel-1 — Aile
<b>Profondeur</b>	2	Channel-2 — Prof
<b>Gaz</b>	3	Channel-3 — Gaz
<b>Direction</b>	4	Channel-4 — Dire
<b>Train</b>	5	Channel-5 — Trai
<b>Volets</b>	6	Channel-6 — Vole

## Préparation du modèle au vol

### Informations importantes concernant le contrôleur brushless et le modèle

1. Le contrôleur brushless inclus dans votre modèle est équipé d'un démarrage sécurisé. Si l'accu de propulsion est branché au contrôleur alors que le manche de gaz n'est en position moteur coupé, le moteur ne démarrera pas tant que le manche n'aura pas été ramené en position moteur coupé. Une fois le manche de gaz en position moteur coupé, le moteur émet une série de "bips". Plusieurs "bips" avec la même tonalité indiquent que le contrôleur a détecté les éléments de l'accu. Le nombre de "bips" correspond au nombre d'éléments détectés. Le moteur est alors armé et démarrera dès que le manche de gaz sera bougé.
2. Le moteur et le contrôleur sont pré-connectés et le sens de rotation du moteur doit être correct. Si pour une quelconque raison, le moteur tourne dans le mauvais sens, inversez simplement deux des trois fils du moteur pour inverser le sens de rotation.  
um die Richtung wieder zu ändern.
3. Le moteur peut être freiné en option. Le contrôleur est livré avec le frein désactivé et nous vous conseillons de voler sans frein. Toutefois, le frein peut se trouver activé si l'accu de propulsion est branché alors que le manche de gaz est sur "plein gaz". Pour désactiver le frein, mettez le manche de gaz sur "plein gaz" et branchez l'accu. Le moteur émet un "bip". Placez le manche de gaz en position "moteur coupé". Le moteur est prêt à tourner avec le frein désactivé.
4. Choix et installation de l'accu : Nous conseillons un accu LiPo 6S 22,2 V 3300 mAh 35C. Si vous utilisez un autre type d'accu, il doit être un 6S (22,2 V), avec au moins 3300 mAh de capacité et au moins 35C de capacité de décharge. Votre accu doit avoir à peu près la même capacité, les mêmes dimensions et le même poids que l'accu LiPo 6S 22,2 V 3300 mAh 35C afin de rentrer dans le fuselage sans modifier le centrage de manière significative.

### Réglage de l'émetteur et du modèle

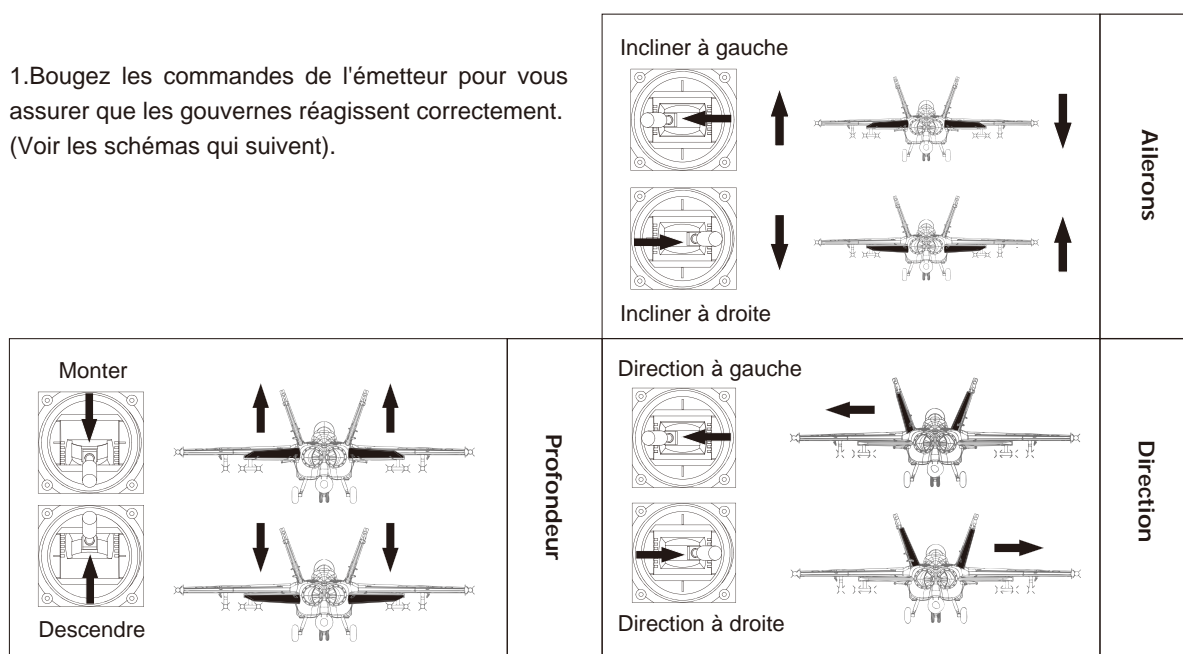
Avant de commencer, apparez votre récepteur à votre émetteur. Merci de vous reporter à la notice de votre ensemble radio pour effectuer cette opération correctement.

**ATTENTION:** Um mögliche Verletzungen zu vermeiden darf der Propeller bei dem Testen der Ruder NICHT auf der Welle montiert sein. Armieren Sie den Regler NICHT und schalten auch nicht den Sender ein bevor es in der Anleitung des Senders vorgeben wird.

**CONSEILS:** Assurez-vous que les manches de l'émetteur sont au neutre (Direction, profondeur et ailerons) et que les gaz sont sur "moteur coupé". Assurez-vous que chaque aileron se lève et se baisse de la même valeur.

Ce modèle se comporte bien quand les débattements des ailerons vers la gauche et vers la droite sont identiques.

1. Bougez les commandes de l'émetteur pour vous assurer que les gouvernes réagissent correctement. (Voir les schémas qui suivent).



## Préparation du modèle au vol

### Contrôle des débattements

Les débattements conseillés pour votre modèle FMS sont les suivants (Réglages de doubles débattements):

CONSEILS: Pour le premier vol, pilotez le modèle avec les petits débattements. La première fois que vous utiliserez les grands débattements, veillez à voler à vitesse moyenne, c'est uniquement pour des figures EXTRÊMES.

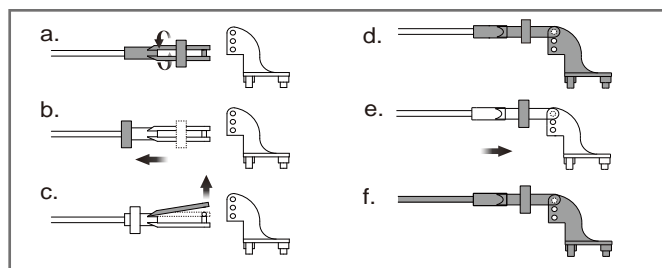
	Grands débattements	Petits débattements
Profondeur	16 mm haut/ bas	12 mm haut/ bas
Ailerons	14 mm haut/ bas	10 mm haut/ bas
Direction	16 mm gauche/ droite	12 mm gauche/ droite
Volets	50 mm vers le bas (Atterrissage)	25 mm vers le bas (décollage)

### Montage des chapes

A et B. Sortez le tube verrou de chape vers la commande.

C. Ouvrez la chape avec précaution, puis insérez le pion dans le trou désiré du guignol.

D, E et F. Glissez le tube verrou sur la chape.



### Réglage des guignols et des palonniers de servos

1. Le tableau montre les réglages d'usine des guignols et des palonniers de servos. Faites voler le modèle avec les réglages d'usine avant de faire des modifications.

2. Après avoir volé, vous pouvez choisir de modifier les positions des commandes pour personnaliser la réponse des gouvernes. Reportez-vous au tableau ci-dessous.

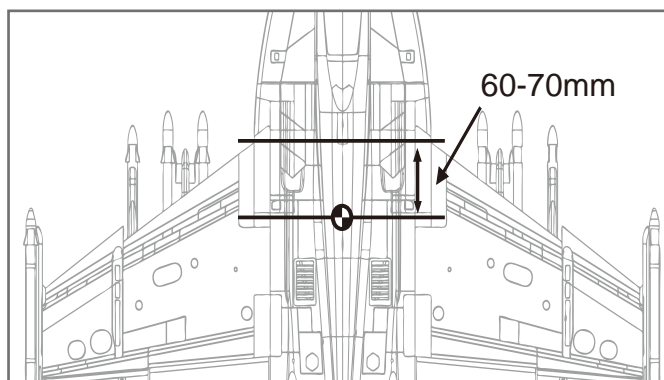
	Guignols	Palonniers	Plus de débattement
Höhen ruder			
Seiten ruder			Moins de débattement
Querruder			

### Centrage (C.G.)

Quand vous réglez le centrage de votre modèle, ajustez la position de l'accu selon les besoins pour que le modèle soit à plat ou légèrement nez bas. C'est le bon point d'équilibrage pour votre modèle. Après les premiers vols, le centrage peut être ajusté en fonction de vos préférences.

1. Le centre de gravité conseillé pour votre modèle est entre 60 et 70 mm en arrière du bord d'attaque de l'aile (comme montré) quand le pack d'accus est installé. Tracez la position du centre de gravité sur le dessous de l'aile.

2. Pour équilibrer votre modèle, portez-le au niveau des marques faites sous les ailes, soit sur vos doigts, soit à l'aide d'un équilibreur disponible dans le commerce. C'est le bon point d'équilibre pour votre modèle. Assurez-vous que le modèle est monté et en ordre de vol avant de l'équilibrer.



## Avant de faire voler le modèle

### Trouvez un site de vol adapté

Trouvez un site de vol dégagé, à l'écart de bâtiments, d'arbres, de lignes électriques ou autres obstacles. Jusqu'à ce que vous sachiez exactement l'espace dont vous avez besoin et que vous maîtrisiez parfaitement votre avion, choisissez un site qui fasse au moins la surface de deux à trois terrains de football. Un site réservé à la pratique de l'aéromodélisme est encore mieux. Ne volez jamais à proximité de personnes, tout particulièrement d'enfants qui peuvent divaguer de façon imprévisible.

### Faites un test de portée de votre ensemble radio

Par précaution, un test de portée doit être effectué avant le premier vol de chaque session de vol. Le test de portée est une bonne façon de détecter des problèmes qui peuvent entraîner une perte de contrôle, comme des piles faibles, des éléments de la radio défectueux, ou un brouillage radio. En général, il vous faut un assistant et vous devez le faire sur le site même où vous allez voler.

Allumez d'abord votre émetteur, puis montez un accu complètement chargé dans le fuselage. Branchez l'accu sur le contrôleur et placez la trappe.

Pensez à ne pas heurter le manche de gaz, sans quoi, l'hélice se mettra à tourner, pouvant causer des dégâts ou des blessures.

**Hinweis:** Reportez-vous aux instructions de votre ensemble radio pour connaître la procédure de test de portée. Si les commandes ne répondent pas correctement ou si quoi que ce soit semble anormal, ne faites pas voler le modèle avant d'avoir trouvé le problème et de l'avoir corrigé. Assurez-vous que les fils de servos sont correctement connectés sur le récepteur et que les piles ou accus de l'émetteur sont bien chargés.

### Surveillez votre temps de vol

Surveillez et limitez votre temps de vol avec un chronomètre (une montre-chrono, ou un chrono sur votre émetteur s'il en est équipé). Quand les accus faiblissent, vous constatez en général une baisse de puissance avant que le contrôleur ne coupe le moteur. Donc, dès que l'avion perd de la vitesse, vous devez atterrir.

Souvent (mais pas toujours), vous pouvez remettre le moteur en marche brièvement quand le contrôleur après que le contrôleur ait coupé le moteur, en gardant le manche de gaz tout en bas quelques secondes.

Pour éviter un atterrissage en plané dès votre premier vol, nous vous conseillons de tabler sur une valeur prudente de 4 minutes. Quand les 4 minutes sont atteintes, posez-vous sans attendre.

## Pilotage du modèle

### Décollage

En mettant progressivement les gaz, maintenez l'axe avec la direction, le modèle va accélérer rapidement. Quand le modèle a assez de vitesse pour voler, mettez-le en montée sur un angle raisonnable et constant. Il va monter avec un bon angle d'attaque(AOA).

### Vol

Choisissez toujours une zone vaste et dégagée pour faire voler votre avion. L'idéal est de voler sur le site d'un club d'aéromodélisme. Si ce n'est pas le cas, évitez toujours de voler à proximité de maisons, d'arbres, de lignes électriques et de bâtiments. Vous devez aussi éviter de voler sur des zones très peuplées, comme les parcs publics, les cours d'écoles, ou des terrains de sport. Consultez les lois et règlements locaux avant de choisir votre site de vol. Après le décollage, prenez de la hauteur.

Montez pour tester tous les régimes de vol, y compris les hautes et basses vitesses. Après avoir pris en main votre Super Hornet, vous pourrez faire des passages bas et rapides, du vol sur le dos, des loopings et des tonneaux...

### Landen

Dès que le moteur de votre modèle donne des à-coups (LVC) ou que vous sentez une diminution de puissance, posez-vous. Si vous avez un émetteur avec un chronomètre, réglez-le pour avoir la possibilité de faire plusieurs approches. Le train tricycle du modèle permet de se poser sur des pistes en dur. Alignez le modèle face au vent et laissez-le descendre vers le sol. Gardez 1/4 à 1/3 de puissance pour avoir assez d'énergie pour faire un bel arrondi. Avant que le modèle ne touche le sol, réduisez complètement le moteur pour éviter d'endommager l'hélice ou d'autres éléments. La clé d'un atterrissage réussi réside dans le dosage des gaz et de la profondeur dans l'approche finale et durant l'arrondi pour que le modèle touche le sol en douceur sur son train principal en premier. Après quelques vols, vous verrez que le modèle peut être posé sur le train principal en tenant le train avant levé jusqu'à ce que la vitesse ait diminué et que le nez se pose.

### Entretien

Les réparations de la mousse doivent se faire avec des colles adaptées aux mousses expansées comme la colle thermo-fusible, la cyano spéciale mousse, et l'époxy 5 minutes. Si les pièces ne sont pas réparables, consultez la liste des pièces de rechange pour commander à l'aide des références.

Vérifiez toujours que toutes les vis du modèle sont bien serrées. Faites spécialement attention à la fixation du cône avant chaque vol.

## Dépannage

Problème	Cause possible	Solution
Le moteur de l'avion ne répond pas, mais les autres commandes répondent	- Le contrôleur n'est pas armé - La voie des gaz est inversée	- Abaissez le manche de gaz et son trim tout en bas - Inversez la voie des gaz sur l'émetteur
Bruit excessif de l'hélice ou vibrations excessives	- Cône, hélice, moteur ou support moteur endommagé - Hélice ou éléments du cône desserrés	- Remplacez les pièces endommagées - Serrez l'adaptateur d'hélice, l'hélice et le cône - Démontez et remontez l'hélice correctement
Temps de vol réduit ou modèle sous motorisé	- Accu mal chargé - Accu endommagé	- Rechargez complètement l'accu - Remplacez l'accu et suivez les instructions de l'accu
Les gouvernes ne bougent pas, ou réagissent lentement aux ordres	- Gouverne, guignol, tringlerie ou servo endommagé - Fils endommagés ou connecteurs trop lâches	- Remplacez ou réparez les éléments endommagés ou réglez les commandes - Vérifiez les connexions
Gouvernes inversées	- Voies inversées sur l'émetteur	- Vérifiez les sens de débattement et réglez les sens depuis l'émetteur
- Le moteur perd de la puissance - Le moteur donne des à-coups puis perd de la puissance	- Moteur ou accu endommagé - Perte de puissance du modèle - Le contrôleur passe en mode de coupure de sécurité en raison d'une tension trop faible	- Vérifiez vos accus, l'émetteur, le récepteur, le contrôleur et les câblages. Remplacez si nécessaire - Posez l'avion immédiatement et rechargez l'accu
La LED du récepteur clignote lentement	Perte de puissance du récepteur	- Vérifiez les connexions entre le récepteur et le contrôleur - Vérifiez l'état des servos - Contrôlez les tringleries, pour vérifier si elles ne forcent pas

## Liste de pièces de rechange

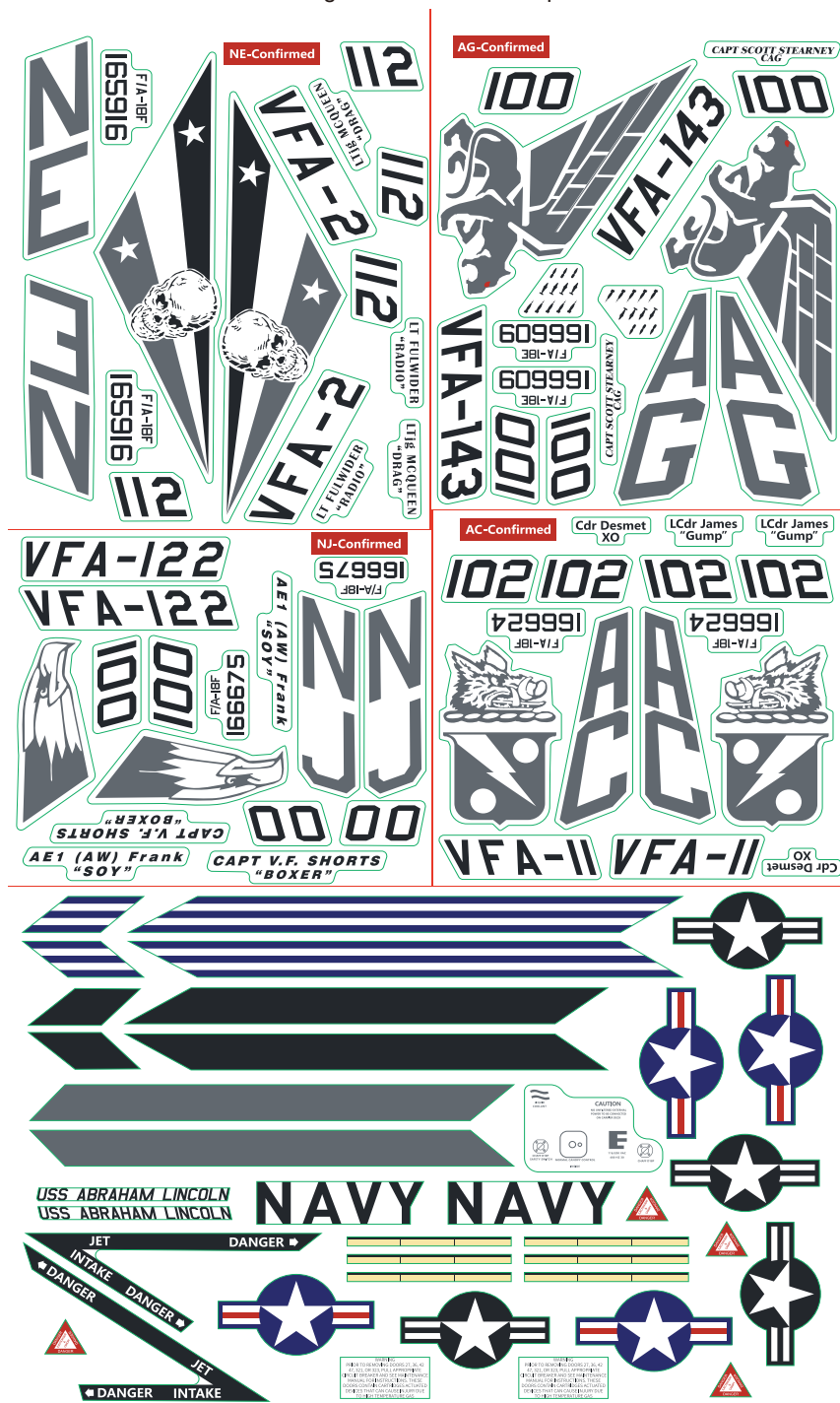
ROCKO101	Fuselage	ROCK0115	Cache de train d'atterrissage
ROCKO102	Jeu d'ailes	ROCK0116	Tringleries
ROCKO103	Empennages verticaux	ROCK0117	Tube
ROCKO104	Empennages horizontaux	ROCK0118	Vis
ROCKO105	Missile-1	ROCK0119	Planche de décalcomanies
ROCKO106	Missile-2	FMSRE007	Train rentrant électrique (Plastique)
ROCKO107	Missile-3	FMSRE035	Train rentrant électrique
ROCKO108	Réservoir de carburant	FMSDF12B70	Turbine 70 mm
ROCKO109	Cabine	PRKV1850	Moteur 2860-KV1850
ROCKO110	Capot	PRESC013	Contrôleur brushless 70 A (avec cordon de commande de 300 mm)
ROCK0111	Ensemble train avant	FMSER9MGDP	Servo 9 grammes digital à pignons métal, sens normal
ROCK0112	Ensemble train principal	FMSER9MGDR	Servo 9 grammes digital à pignons métal, sens inversé
ROCK0113	Système de train avant		
ROCK0114	Système de train principal		

Visitez notre site internet pour voir les photos de ce produit: [www.d-power-modellbau.com](http://www.d-power-modellbau.com)



# Instruction de pose des décalcomanies

Choisissez un des jeux de décalcomanies selon vous goûts et choix historiques et collez-les comme montré.



## Instructions de pose des décalcomanies à l'eau

La planche ci-dessus est composée de décalcomanies à l'eau. Ne les forcez pas à sortir du papier support. Suivez ces instructions :

1. Assurez-vous d'avoir les mains sèches. Découpez les décalcomanies avec des ciseaux.
2. Placez la décalcomanie dans l'eau environ 2 minutes pour une imprégnation complète.
3. Glissez avec précaution la décalcomanie du papier support sur l'emplacement voulu de la cellule (il peut être utile de mouiller l'emplacement sur la cellule pour ajuster la position).
4. Essayez l'excédent d'eau avec un tissu, évacuez l'air doucement et laissez sécher.



## 警告



**警告:**在组装、调整及飞行前请务必认真阅读产品说明书以熟知产品的特性。请严格按照说明书提示进行飞机的组装、调整及飞行。如操作不当会造成产品本身损坏及其它财产损失,甚至造成严重的人身伤害。

**声明:**模型不是玩具,具有一定的危险性,操作者需要具备一定的飞行经验,初学者请在专业人士指导下操作。禁止十四岁以下儿童操作、飞行。

## 安全须知

本产品飞行由无线电遥控器控制,在飞行过程中可能会受到外界强信号源干扰而导致失控,甚至坠机。因此,在飞行过程中务必始终与飞机保持一定的安全距离,避免意外碰撞、受伤。

- 请勿在发射器电池低电量的情况下操纵模型飞机。
- 请勿在公路、人群、高压线密集区、机场附近及其它法律法规明确禁止飞行的场合飞行。
- 请勿在雷雨、大风、大雪或者其它恶劣气象环境下飞行。
- 请严格遵照产品指导说明及安全警告操作本产品及其相关配置(例如充电器、电池等)。
- 请勿将相关化工类产品、零部件、电子部件等置于儿童可触及的范围。
- 请勿将电子件暴露于潮湿的环境中,以免造成损坏。
- 请勿将本品任意处置于口中,以免造成人身伤亡。

## 锂聚合物电池使用安全须知

- 使用锂聚合物电池时,须严格遵守制造商说明、要求并了解相关风险,使用不当会导致锂聚合物电池起火,从而造成严重的财产损失甚至人身伤害。
- 禁止使用变形、胀气的锂聚合物电池。
- 禁止使用过充、放电的锂聚合物电池,避免发生危险。长时间不使用须将锂聚合物电池放电至存储电压(3.8~3.85V/节)。锂聚合物电池须储存在室内干燥区域(4.5~48.5°C),禁止将锂聚合物电池置于阳光下暴晒或车内,高温可能会导致锂聚合物电池起火,造成财产损失和人身伤害。
- 请使用专用充电器对锂聚合物电池进行充放电,禁止使用其它如:镍氢电池充电器。充放电时,禁止将锂电池放置于高温物体表面,建议使用锂电池防爆袋。不正确的充放电操作会对锂聚合物电池造成损伤,甚至会引起火灾,造成财产损失和人身伤害。
- 禁止将锂聚合物电池单节电压放至低于 3V,禁止给已损坏的锂聚合物电池充电。
- 锂聚合物电池充放电须在有人看管的情况下进行,避免发生意外造成不必要的损失。

### 飞机电池充电警告:

请确保使用合格的电池充电器给锂电池充电。在使用充电器前,请认真阅读充电器说明书。充电过程中,请确保把电池置于耐热的表面。建议把锂电池置于防火充电袋内充电,防火充电袋可在相关模型实体店或网上买到。

## 产品特点

F/A-18F“超级大黄蜂”，是美国波音公司在 F/A-18C/D 大黄蜂的基础上改良生产的一种舰载双座椅战斗机/轰炸机，与 F/A-18C/D 相比，F/A-18F 加长了机身和翼展，增加了机翼和水平尾翼的面积，增加了载油量和武器，加大了航程。超级大黄蜂作为已取消的 A-12 舰载攻击机的替代方案，最初在 1995 年 12 月试飞，并在 1997 年 9 月波音和麦道公司正式合并前的一个月开始量产。1999 年起超级大黄蜂陆续进入美国海军服役，以取代老迈的 F-14“雄猫式”战斗机和 A-6“闯入者”式攻击机。因此，超级大黄蜂继承了两种攻击形式，而成为 21 世纪初期美国航空母舰舰载机的唯一主力。

FMS 很荣幸给大家带来这款高复原度的 70mm 涵道 F/A-18F 超级大黄蜂。

FMS70mm 涵道超级大黄蜂，在当下畅销的 64mm 大黄蜂的基础上，做了许多方面的改进。它优化了机型轮廓，精准了表面刻线，完善了动力系统，除此之外，它采用了卡扣式座舱，玩家不必担心座舱会在飞行中脱落；采用了 CNC 加工减震起落架，外观更像真、脚架更牢固。最值得一提的是，超级大黄蜂出厂配有四套不同的贴纸，客户可根据自己的喜好 DIY 属于自己的“超级大黄蜂”。

在组装和结构方面，FMS 沿用了便捷的螺丝组装结构、球头舵面链接（预安装）、重载对接管，以上特点在加大飞机强度的同时，极大简化了组装步骤，使得整架飞机可以在很短的时间内完成组装蓄势待发。

在动力系统方面，高品质的 70mm 12 叶涵道，KV1850 内转电机，给这款兼具战斗机和攻击机性能的超级大黄蜂提供了充沛动力，搭配 6S 电池，声浪更像真，可轻松完成各种仿真真空战斗机机动动作。

## 特点：

1. 坚固耐用的 EPO 泡沫材料。
2. 机形轮廓精美，表面刻线精准，细节丰富。
3. 高配置动力系统：动力十足的 KV1850 内转电机，70mm 12 叶涵道，搭配高品质的捕食者 70A 电调。
4. CNC 加工减震前后起落架。
5. 便捷的螺丝组装结构。
6. 卡扣式座舱结构，安全牢固。
7. 四款个性贴纸，DIY 属于你自己的“超级大黄蜂”。

## 目录

产品特点 .....	33
产品组成 .....	33
机体安装 .....	34
电池安装 .....	36
接收机连接示意图 .....	36
遥控器设置 .....	37
推荐舵面行程 .....	37
球头安装方式 .....	37
舵角和舵机摇臂安装 .....	38
重心调整 .....	38
飞行前准备 .....	38
配件列表 .....	39
故障检修指导 .....	39
贴纸说明书 .....	40

## 产品组成

在组装产品之前，请仔细检查以下配件，如有缺失或者损坏，请及时联系当地店面或者邮件至厂家（support@fmsmodel.com），告知缺失或损坏的配件名称及编码（请在本说明书尾页查看相应的配件编码）。

**请注意，不同配置，包装盒内部物品不同。**

## 产品参数

翼展: 875mm (34.45in)

机身长: 1186mm (46.69in)

飞行重量: 约 2100g (74.08oz)

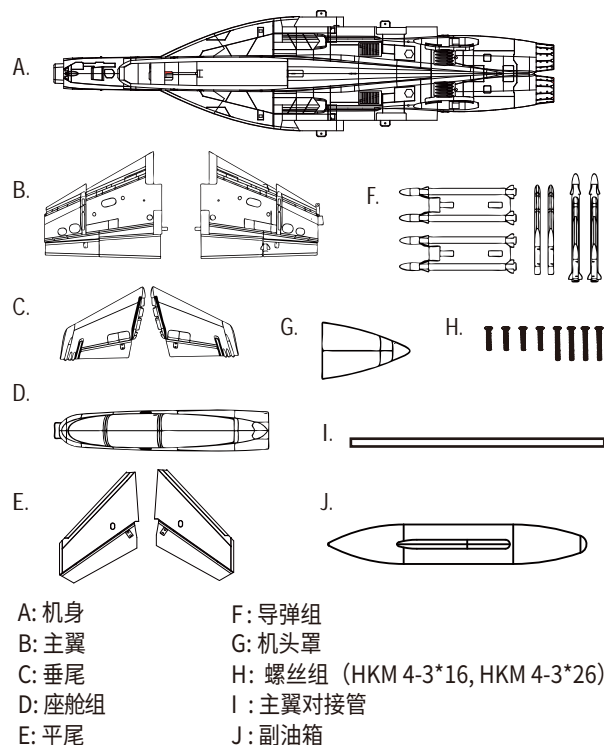
电机: 2860-KV1850

翼载荷: 108 g/dm<sup>2</sup> (0.24oz/in<sup>2</sup>)

翼面积: 19.3 dm<sup>2</sup> (299 sq.in)

电调: 70A (5A BEC)

舵机: 9g Servo x 9

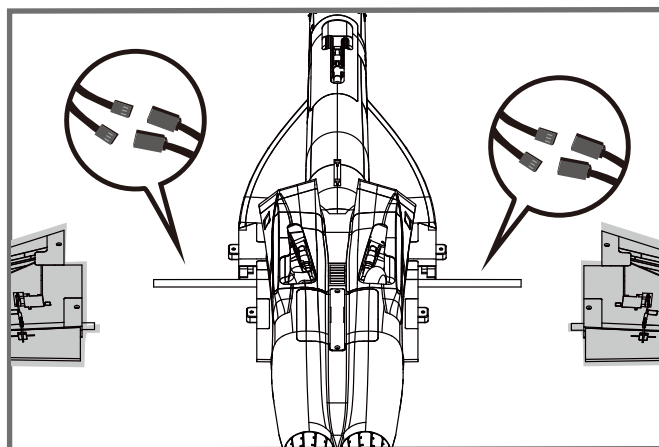


# 机体安装

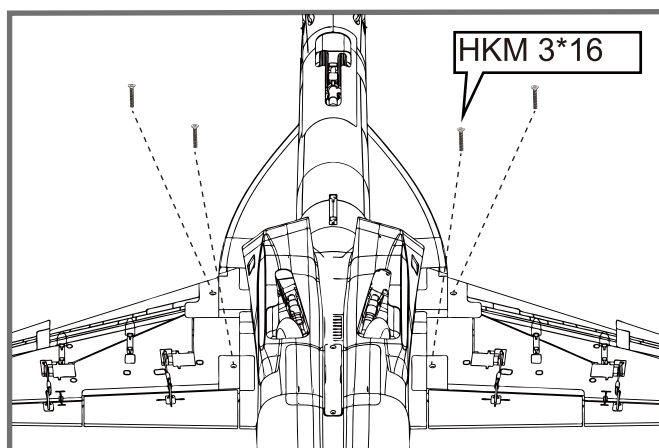
## 主翼安装

1. 把主翼对接管插入机身槽位，安装左右两侧机翼。

注意：机翼和机身的对接插头请确保插牢。



2. 使用所附螺丝固定机翼。



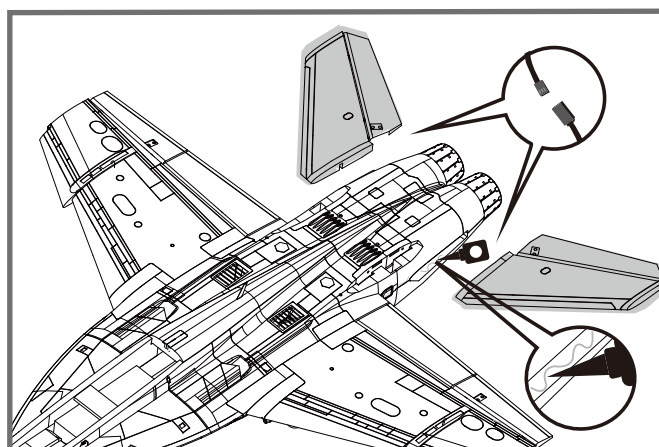
## 平尾安装

1. 连接平尾舵机和机身的舵机延长线。

注意：平尾和机身的对接插头请确保插牢。

2. 如图所示，在机身尾部凹槽的底部和壁部使用泡沫胶，安装平尾。

泡沫胶示意图

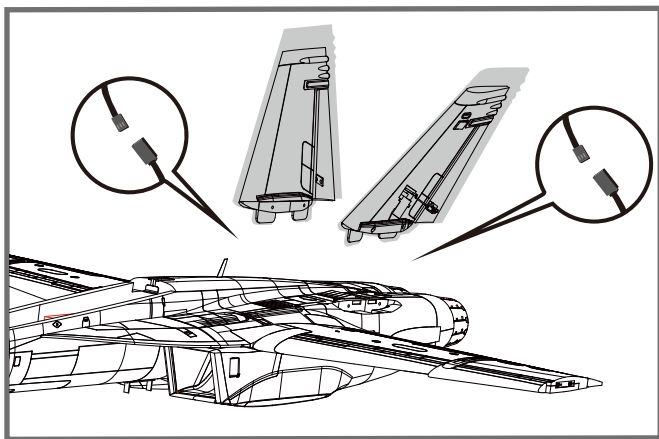


## 机体安装

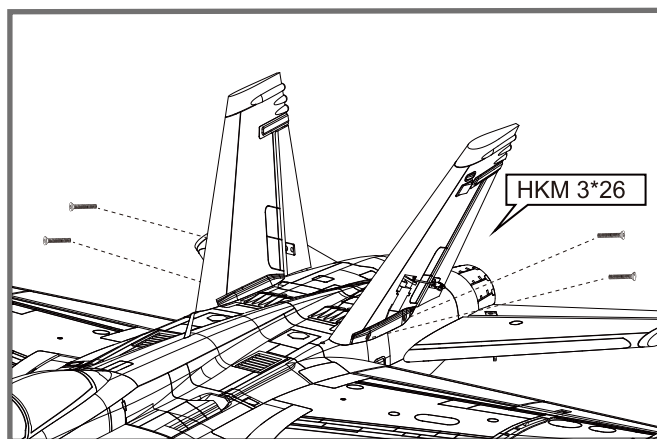
### 垂尾安装

1. 连接垂尾舵机和机身的舵机延长线。(如图所示, 将垂尾安装

**注意:**垂尾和机身的对接插头请确保插牢。

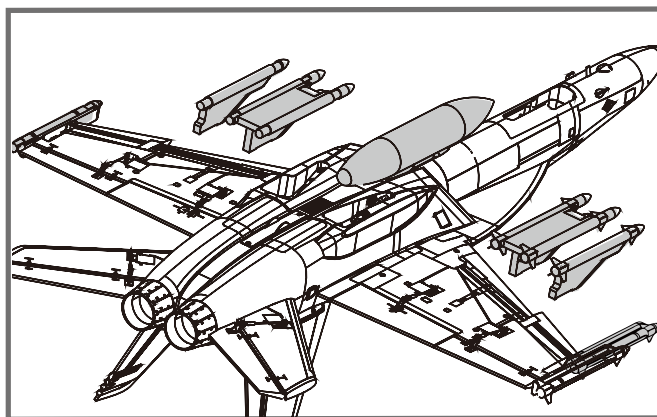


2. 如图所示, 使用所附螺丝固定垂尾。



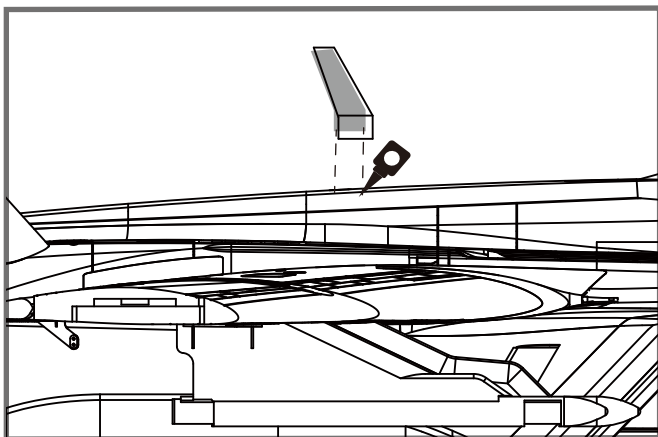
### 安装导弹和副油箱

1. 如图所示, 安装导弹和副油箱。

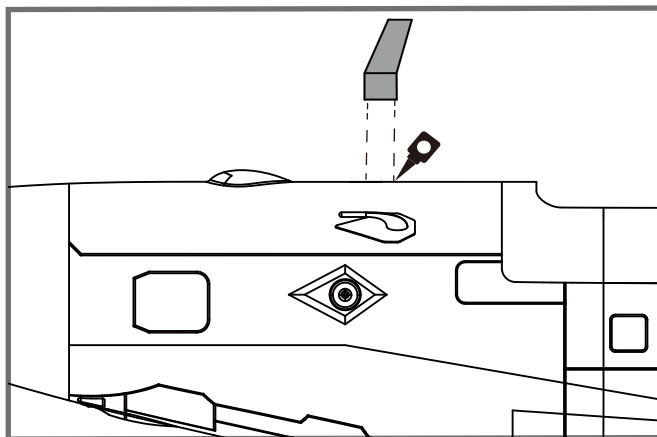


### 像真塑胶件安装

1. 在图示槽位的底部和壁部打胶。



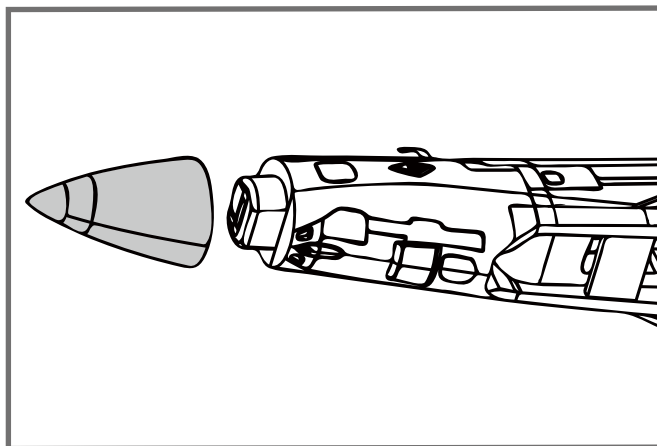
2. 将像真塑胶件安装到位。



## 机体安装

### 飞机头罩安装

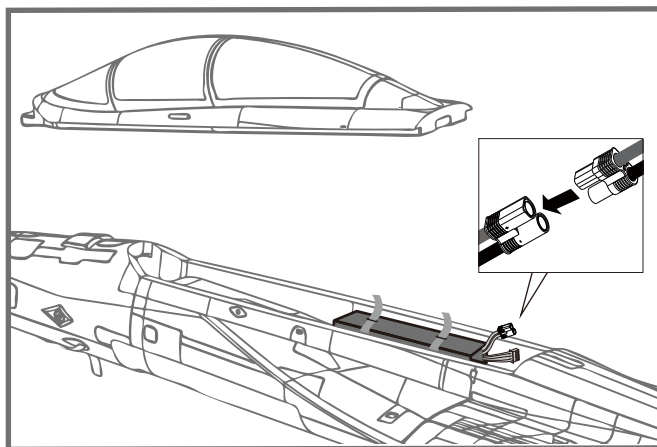
1.如图所示,安装机头罩,确保机头罩安装方向无误。



## 电池安装

- 1.打开座舱卡扣,移开座舱。
- 2.取下电池板上的魔术贴(毛面)贴于电池上面。
- 3.如图所示,将电池置于电池舱内,用魔术带绑紧,使有电源线的那端朝向飞机的尾部。

注意:平尾和机身的对接插头请确保插牢。



## 接收机连接示意图

如图所示,以 Futaba 遥控器为例,将副翼舵机信号线插入接收机副翼通道、升降舵舵机信号线插入接收机升降舵通道、方向舵舵机信号线插入接收机方向舵通道、电调信号线插入接收机油门通道。

最后将所有连接线整理整齐并固定在电池仓后部的凹槽内,随后固定好接收机。

		Récepteur
副翼	1	Channel-1 — Aile
平尾	2	Channel-2 — Elve
油门	3	Channel-3 — Thro
垂尾	4	Channel-4 — Rudd
起落架	5	Channel-5 — Gear
其他通道	6	Channel-6 — Flap

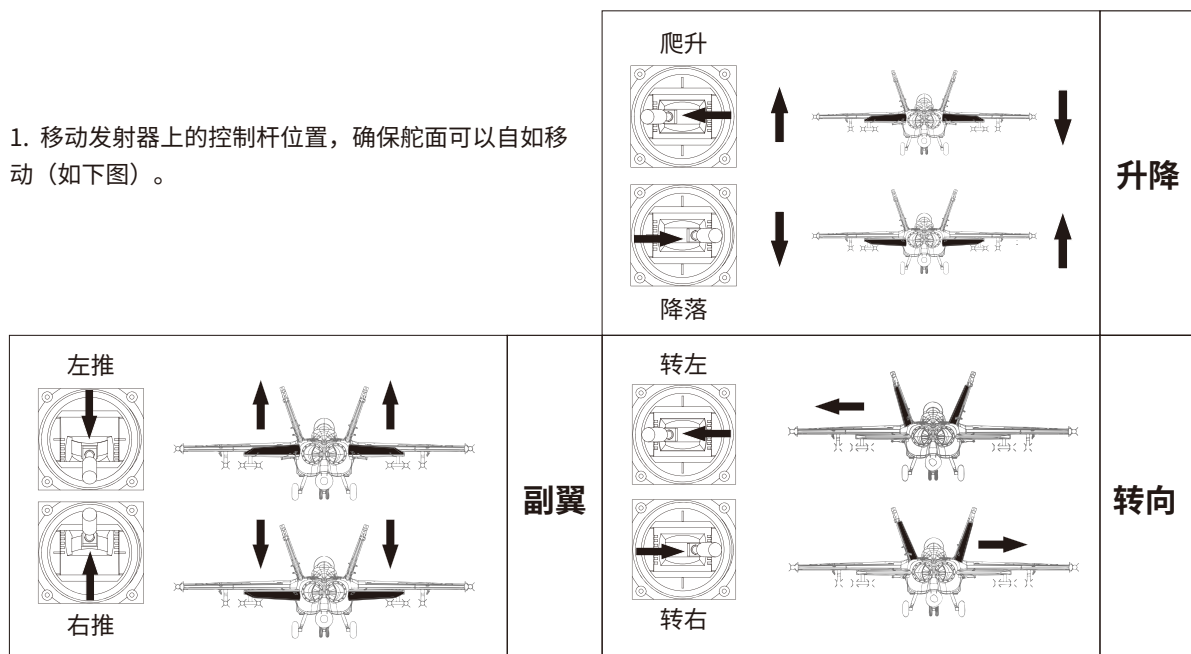
## 遥控器设置



**警告:** 为保证安全, 在遥控器参数设置及舵面调整过程中, 请务必拆下螺旋桨, 以免电机意外启动发生事故。遥控器发射机开机前, 确保油门杆在最低位置, 其它摇杆在中立位置。

开发射机并给接收机通电, 随后听到电调初始化音(音符释义见后文“电子调速器说明书”)。观察所有舵面是否回中, 如果没有回中, 尽量通过调整舵机摇臂角度、连杆长度的方式来使舵面回中, 若调整长度在安全范围内仍未回中, 则使用遥控器通道微调或者菜单中的“SubTrim”选项来使舵面归中。如下图所示观察摇杆动作与舵面动作的对应关系, 如发生舵面反向需要使用遥控器中的通道反向功能来纠正。

1. 移动发射器上的控制杆位置, 确保舵面可以自如移动(如下图)。



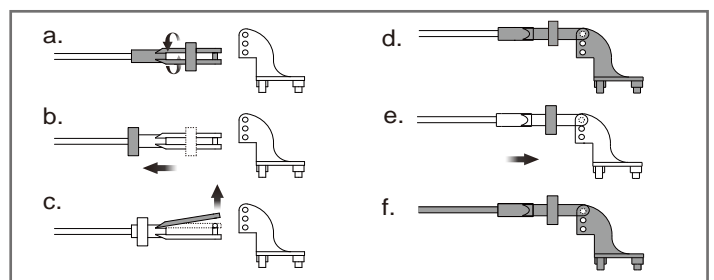
## 推荐舵面行程

温馨提示: 首飞建议用小舵面行程

	大	小
升降舵	16 mm up/ down	12 mm up/ down
副翼舵	14 mm up/ down	10 mm up/ down
方向舵	16 mm left/ right	12 mm left/ right

## 球头安装方式

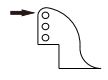


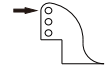

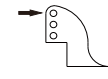



1. 保证舵机为回中状态, 将连接杆夹头调整到合适位置。
2. 将 O 型圈移开, 打开夹头, 将夹头安装到舵角孔位。
3. 将 O 型圈移回相应位置, 锁紧夹头。





## 舵角和舵机摇臂安装

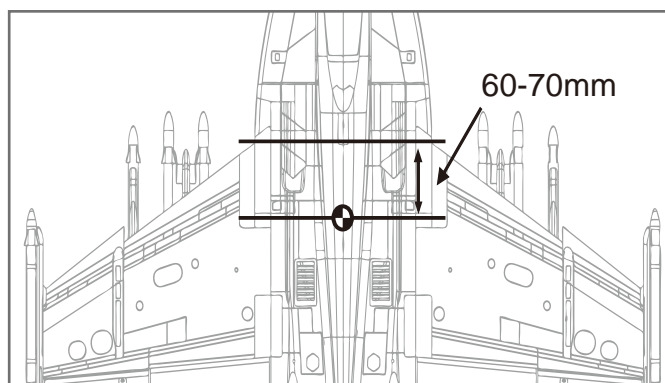
图示是舵角和舵面摇臂的出厂设置。首飞建议用出厂设置的小舵角飞行。首飞后，可按图调整舵角。

	舵角	摇臂	大舵面
平尾			
垂尾			
副翼			
			小舵面
			

## 重心调整

通过移动电池在电池舱内的前后位置调整飞机的重心，使飞机保持水平或稍微头重的状态。首飞以后重心位置可以根据你自己的飞行偏好再做更改。

1. 如图所示，推荐重心位置是机翼前缘往后 60-70mm 处（安装电池以后）。推荐把食指放在机翼下面的重心位置来帮助调整重心。
2. 在调整飞机重心的时候请确定飞机处于组装完毕待飞的状态。



## 飞行前准备

### 起飞前的检查

⚠ 每次飞行前须做严格的地面检查，可有效避免飞行事故

1. 检查全机螺丝是否安装到位、舵角摇臂连接可靠。机翼快拆装置已锁紧。
2. 安装电池，并调整飞机重心到说明书推荐位置。
3. 动力电池、遥控器发射机电池等已充满电，处于可靠工作状态。
4. 发射机油门杆保持在最低位（推荐使用带有油门锁定功能的遥控设备），打开发射机，随后连接动力电池，待电调初始化完成后检查各个舵面是否回中，是否动作正确。
5. 轻推油门观察螺旋桨转向是否正确。

所有检查完成后，方可进行飞行，初学者首次飞行需要有经验的爱好者协助完成，避免因操作不当发生飞行事故。

### 合适的飞行场地

航模飞行须远离人群、建筑物、树木、高压线及禁飞区的空旷场地（至少 2-3 个足球场大小）。初学者飞行前需要向有经验的爱好者询问相关安全事宜。

### 关于飞行时间

厂家推荐的飞行时间是使用厂家推荐型号的电池，由有经验的爱好者在微风天完成飞行测试得到的飞行时间，该时间与电池参数、飞机全备重量、飞行条件以及飞行手法相关，不同飞行条件可能得到不同的飞行时间。

建议爱好者在飞行时使用遥控器的“计时功能”，建议初始飞行时间设定为4分钟，飞行时间倒计时告警后，降落飞机并测量电池电压，方可估算飞行时间并重新调整遥控器计时。如发射机没有计时功能，需要其他设备辅助测算飞行时间，以保证飞行安全。在电池放电后期，禁止将飞机飞入下风区（风向指向的远端），防止动力不足而导致飞机不能安全返航。

## 配件列表

ROCKO101	机身	ROCK0114	主起落架系统
ROCKO102	主翼	ROCK0115	起落架盖板
ROCKO103	垂尾	ROCK0116	连接杆
ROCKO104	平尾	ROCK0117	主翼对接管
ROCKO105	导弹 -1	ROCK0118	螺丝
ROCKO106	导弹 -2	ROCK0119	贴纸
ROCKO107	导弹 -3	FMSRE007	电子收放(用于前起落架)
ROCKO108	副油箱	FMSRE035	电子收放(用于主起落架)
ROCKO109	座舱组	FMSDF12B70	70mm12叶涵道
ROCKO110	机头罩	PRKV1850	KV1850电机
ROCK0111	前起落架组	PRESC013	70A电调(线长300mm)
ROCK0112	主起落架组	FMSSER9MGDP	9G数字金属舵机正
ROCK0113	前起落架系统	FMSSER9MGDR	9G数字金属舵机反

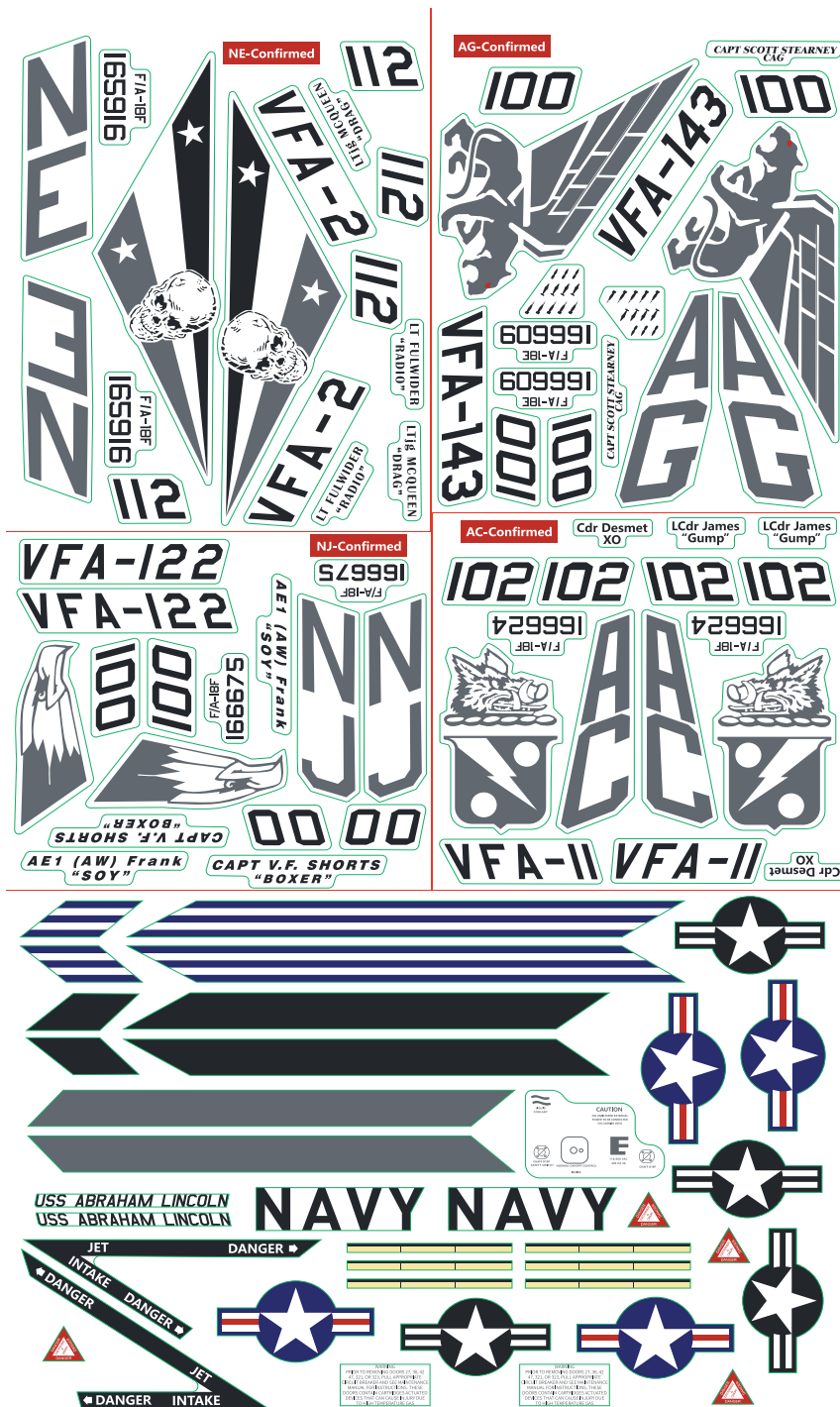
请登陆 FMS 官网查看产品图片：[www.fmsmodel.com](http://www.fmsmodel.com)

## 故障检修指导

问题	问题原因	解决方式
油门推杆无响应，但舵机有响应	- 电调未连接电机 - 油门通道反向	- 降低油门推杆和油门微调设定 - 反过来重新装油门通道
桨的噪音过大或者震动过大	- 桨罩、桨、电机、电机架坏了 - 桨或者桨罩的小部件松动了 - 桨装反了	- 更换损坏的配件 - 把桨、桨夹和桨罩的小部件拧紧 - 反过来重新装桨
飞行时间变短，飞机无力	- 桨罩、桨、电机、电机架坏了 - 桨或者桨罩的小部件松动了 - 桨装反了	- 重新给电池充电 - 依照电池说明书更换新的电池
飞舵面不动，或者动作响应较慢	- 舵面、舵角、连接杆、舵机坏了 - 连接线坏了或者接头松了	- 更换或者维修坏了的配件 - 检查所有连接线，确保所有接头无松动现象
舵面反向	- 遥控器发射机通道反向	- 检查通道控制(舵面)方向，调试飞机舵面和遥控器的舵面控制杆。
电机无力	- 电机或电池坏了 - 电调用了不合适的低压保护装置	- 检查电池、发射机、接收机、电调、电机是否有损坏(如有，请及时更换) - 立刻操控飞机降落，重新给电池充电。
接收器的LED灯慢闪	接收器低电量	- 检查电调和接收器之间的连接 - 检查舵机是否受损 - 检查连接杆是否安装到位

# 贴纸说明书

请参考历史资料或依据个人偏好,在以下贴纸中选出一套,按照所列的步骤粘贴。



## 水贴安装方法：

以上几个是水贴,请不要尝试强行撕下。

1. 用剪刀剪下你需要用到的水贴(注意不要剪破透明部分)
2. 把剪下的水贴放到水里,让纸张完全吸水。
3. 把贴纸靠近飞机对应位置,然后慢慢把贴纸移出,吸附在飞机上。(为了方便,我们可以在飞机要贴的位置用少量水润湿,以便调整贴纸位置)
4. 用纸巾轻轻吸掉多余的水,挤出空气,等待干燥。



**MADE IN CHINA**