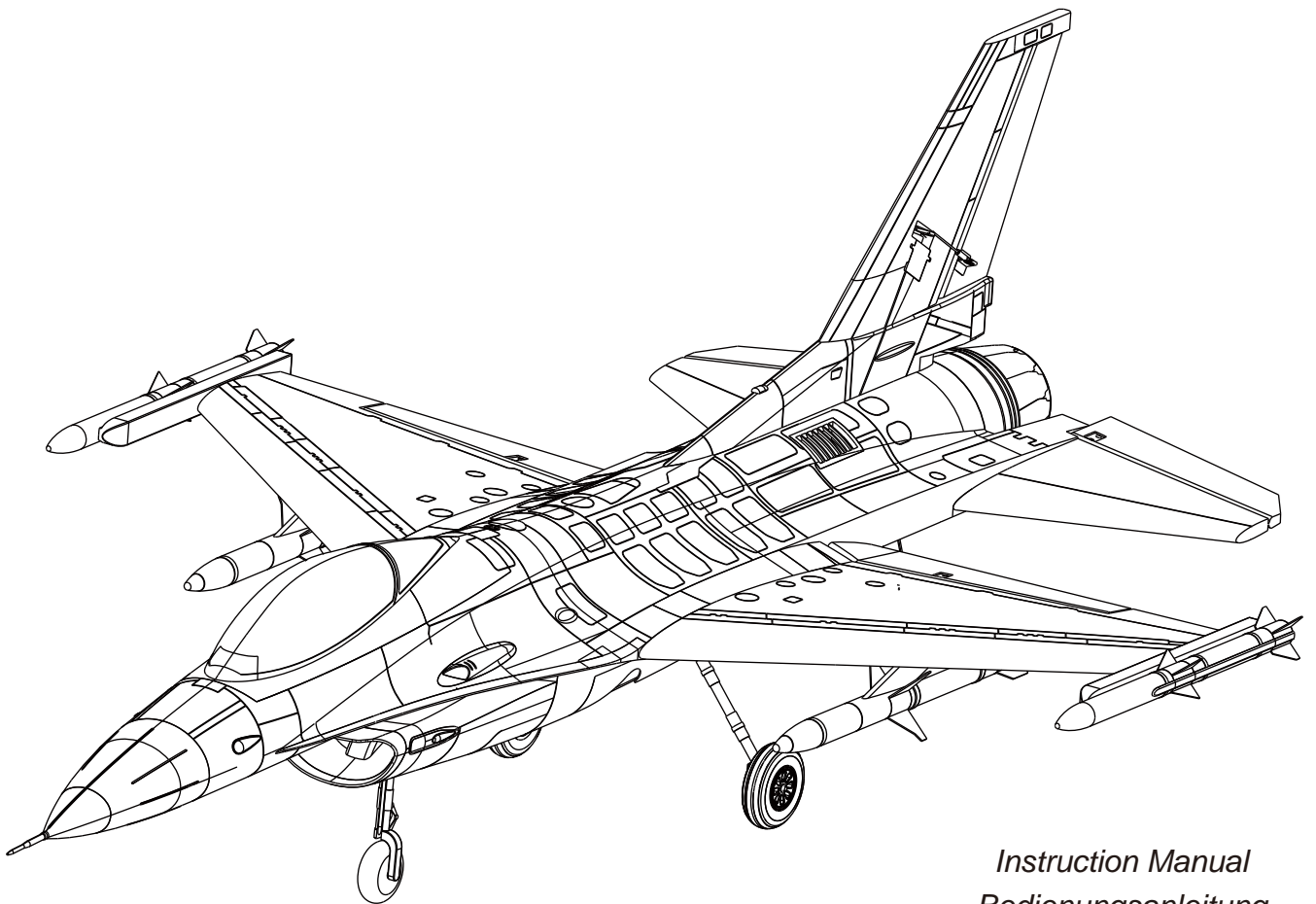




70mm F-16C
Fighting Falcon



Instruction Manual
Bedienungsanleitung
Manuel d'utilisation
操作手册

REALISTIC
• RETRACTS INSTALLED

RIGID
• STRONG DURABLE EPO

STABLE
• SMOOTH FLYING PERFORMANCE

FMSMODEL.COM

WARNING



WARNING: Read the ENTIRE instruction manual to become familiar with the features of the product before operating. Failure to operate the product correctly can result in damage to the product, personal property and cause serious injury. This is a sophisticated hobby product and NOT a toy. It must be operated with caution and common sense and failure to do so could result in injury or damage to the product or other property. This product is not intended for use by children without direct adult supervision.

This manual contains instructions for safety operation and maintenance. It is essential to read and follow all the instructions and warnings in the manual prior to assembly, setup or use, in order to operate and avoid damage or serious injury.

Safety Precautions and Warnings

As the user of this product, you are solely responsible for operating in a manner that does not endanger yourself and others or result in damage to the product or the property of others. This model is controlled by a radio signal subject to interference from many sources outside your control. This interference can cause momentary loss of control so it is advisable to always keep a safe distance in all directions around your model, as this margin will help avoid collisions or injury.

Age Recommendation: Not for children under 14 years. This is not a toy.

- Never operate your model with low transmitter batteries.
- Always operate your model in an open area away from cars, traffic or people.
- Avoid operating your model in the street where injury or damage can occur.
- Never operate the model in populated areas for any reason.
- Carefully follow the directions and warnings for this and any optional support equipment you use (chargers, rechargeable battery packs, etc.)
- Keep all chemicals, small parts and anything electrical out of the reach of children.
- Moisture causes damage to electronics. Avoid water exposure to all equipment not specifically designed and protected for this purpose.
- Never lick or any place of any your model in your mouth as it could cause serious injury or even death.

Safety

Lithium Polymer (Li-Po) Battery Warning

CAUTION: Always follow the manufacturer's instructions for safe use and disposal of batteries. Fire, property damage, or serious injury can result from the mishandling of Li-Po batteries.

- By handling, charging or using a Li-Po Battery you assume all risks associated with lithium batteries.
 - If at any time the batteries begin to swell or balloon, discontinue use immediately!
 - Always store the batteries at room temperature in a dry area to extend the life of the battery. Always transport or temporarily store the battery in a temperature range of 40-120F. Do not store the battery or model in a car or in direct sunlight. If stored in a hot car, the battery can be damaged or even catch fire.
 - Never use a Ni-Mh Charger to charge Li-Po Batteries. Failure to charge the battery with a Li-Po compatible charger may cause fire resulting in personal injury and property damage.
 - Never discharge Li-Po Cells below 3V.
 - Never leave charging batteries unattended.
 - Never charge damaged batteries.
- Charging the Flight Battery Warning**
- Use a battery charger that is designed to safely charge the Li-Po Battery. Read the charger instructions carefully before use. When charging the battery, make certain the battery is on a heat resistant surface. It is also highly recommended to place the Li-Po Battery inside a fire resistant charging bag readily available at hobby shops or online.

Introductions

The remarkable USAF F-16C Fighting Falcon is known as the most capable single engine supersonic multirole fighter aircraft in the world. It is also one of the most prolific fighters in service in the USAF. It is a true American marvel!

FMS would like to announce the release of a fully upgraded 70mm F-16C! Following the success of the 64 mm F16 V2, the enhanced F-16C 70 mm is sure to impress!

This new version features a more detailed scale look, boosted aerobatic performance and the famous FMS user friendly assembly design.

The FMS 70 mm F-16C adopts a scale USAF camouflage. With five different decals and pin-up sticker set ups, you build and customize you own plane.

In addition to looks and its streamlined aerodynamic shape, the new F-16C is equipped with strengthened retractable landing gears, that ensure a smoother takeoff and landing experience for all pilots.

Get ready to experience real combat maneuvers with the new F-16! With a 70 mm 12-blade ducted fan, powerful KV1900 inner running motor and predator 80A ESC, the F-16 boasts extraordinary performance and thrust!

What are you waiting for? Add the new FMS 70 MM F-16C Fighting Falcon to your hanger!

- High quality Predator 80A ESC, powerful KV1900 inner running motor with the latest 70mm 12-blade EDF.
- Rich details, clean lines.
- Button type canopy hatch.
- Pre-installed, newly designed ball link style control horns for more throw.
- A set of 5 different decals so you can customize yourself.

Table of Contents

Introduction	3
Contents of Kit	3
Model Assembly	4
Battery installation	7
Connectors Diagram	7
Get your model ready to fly	7
Clevis Installation	9
Control Horn and Servo Arm Settings	9
Center of Gravity(CG)	9
Before flying the model	10
Flying Course	10
Troubleshooting	11
Spare parts list content	11
Decal Instruction	12

Contents of Kit

Before assembly, please inspect the contents of the kit. The photo below details the contents of the kit with labels. If any parts are missing or defective, please identify the name or part number (refer to the spare parts list near the end of the manual) then contact your local shop or email us: support@fmsmodel.com.

Specifications

Wingspan: 813mm(32in)

Overall Length: 1258mm(49.5in)

Flying Weight: Around 2090g(73.8oz)

Motor Size: Brushless 3060-KV1900

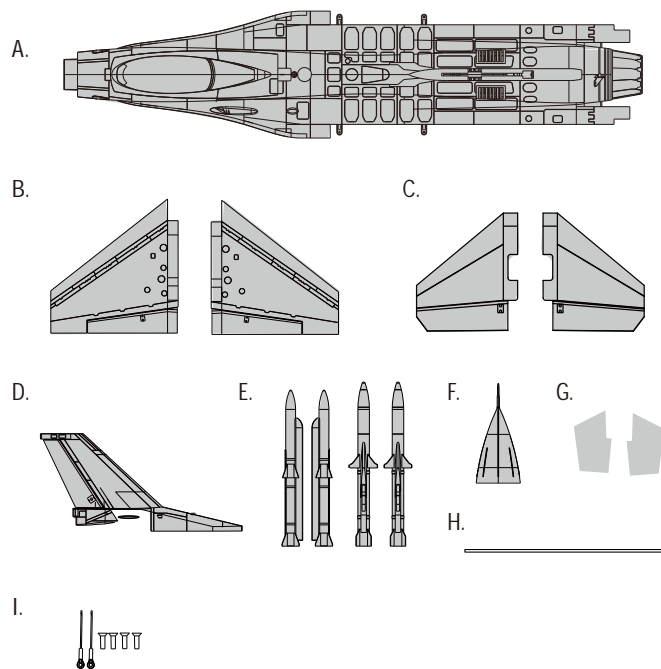
Wing Load: 102.5 g/dm²(0.23oz/in²)

Wing Area: 20.4 dm²(316.2sq.in)

ESC: 80A

Servo: 9g Servo x 6

Recommended Battery: 22.2V 3300mAh 35C



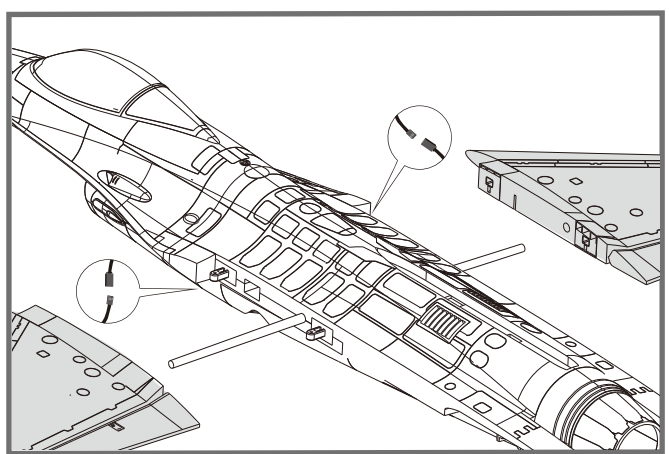
- | | | |
|--------------------------|----------------|----------------------------|
| A: Fuselage | E: Missile Set | I: Linkage Rods and Screws |
| B: Main Wing Set | F: Nose Cone | |
| C: Horizontal Stabilizer | G: Ventral Fin | |
| D: Vertical Stabilizer | H: Wing Tube | |

Model Assembly

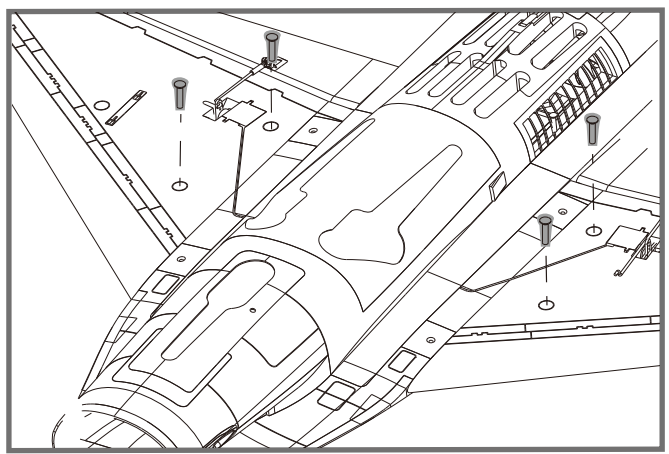
Main Wing Installation

1. Slide the tube into the fuselage then install both wings over the wing tube and into the wing slot of the fuselage.

Notice: The connectors on both side should be attached precisely and firmly.



2. Secure the wings on the fuselage using the included screws as shown.



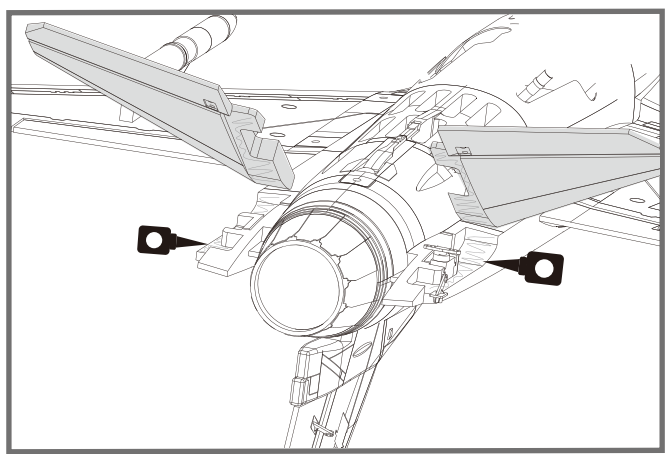
Horizontal Stabilizer Installation

1. With the bottom of the fuselage facing up, carefully apply CA to the base and the side of the rear fuselage slot. Install the stabilizer into the place. Ensure the control horn faces down as shown.

Required Adhesives:

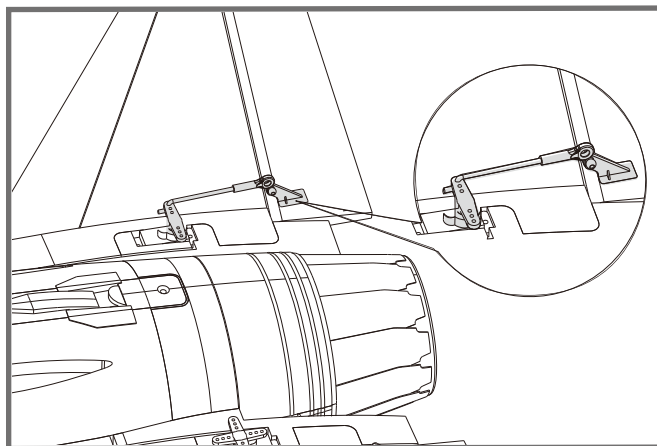


Foam Safe Medium CA



Model Assembly

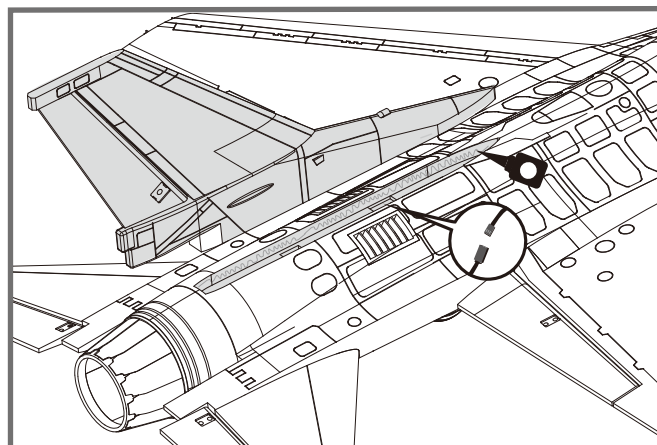
2. Attach the ball link to the elevator control horn's outermost hole using the included linkage rod as shown.



Vertical Stabilizer Installation

1. Carefully apply CA to the top rear fuselage slot. Install the vertical stabilizer into place.

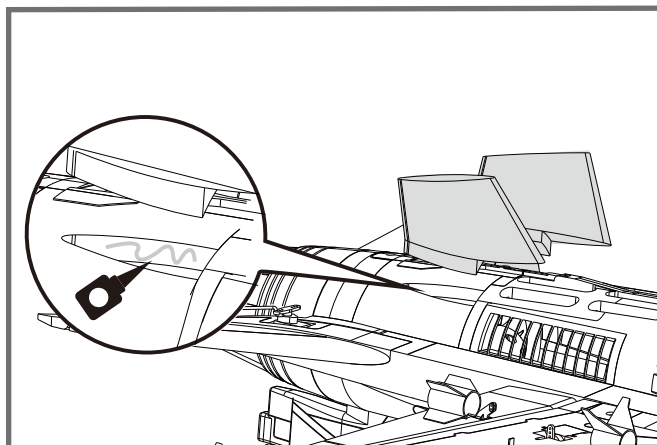
Notice: The connectors on both side should be attached precisely and firmly.



Ventral Fin Installation

1. Carefully apply CA to the bottom rear fuselage slot. Install the ventral fins into place.

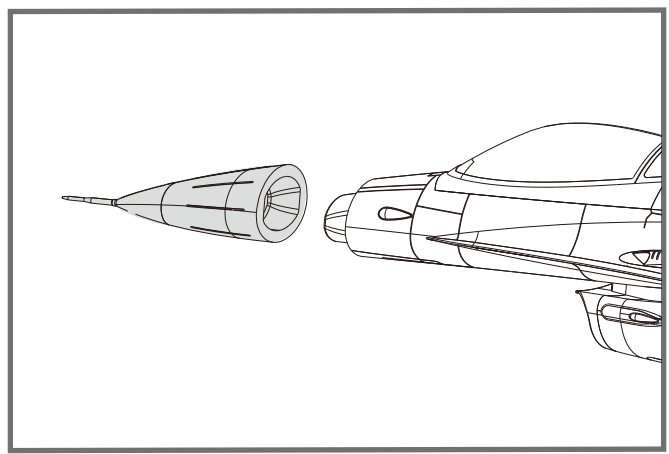
Note: 1. Ensure the higher side goes towards the front of the plane.
2. The fins will angle towards the outboard of the plane as shown.



Model Assembly

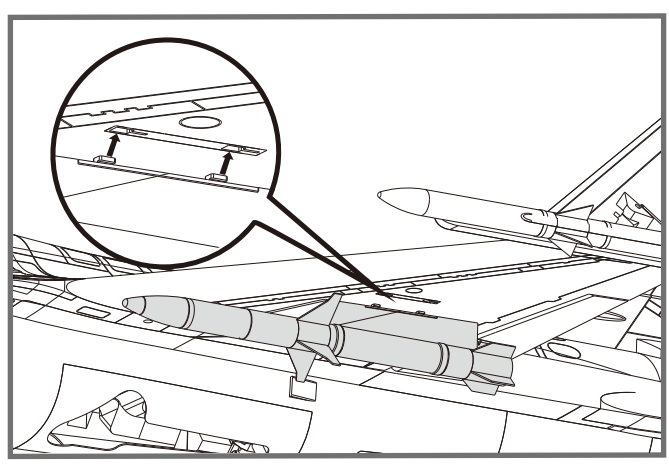
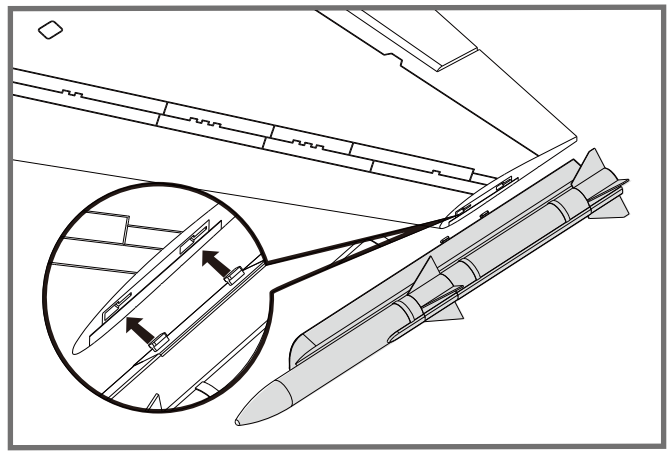
Nose Cone Installation

1. Apply the nose cone to the front fuselage as shown. Ensure the nose cone is on the correct side



Missile Set Installation

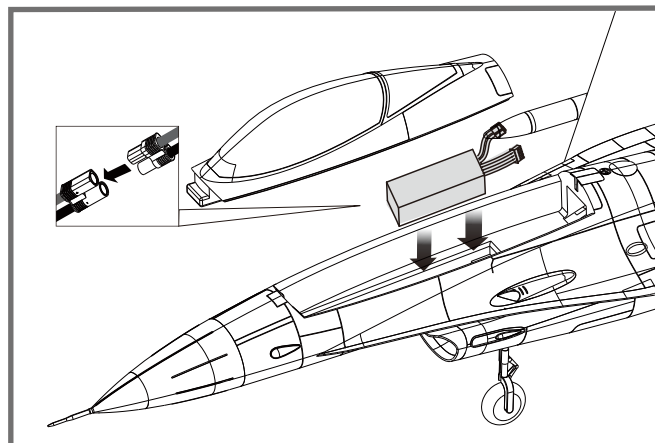
1. Slide the missiles into the rails as shown.



Battery installation

1. Apply the hook tape to the cable end of the battery.
2. Slide the battery into the battery hatch with the power supply cable toward the rear end of the plane and the hook tape facing the bottom of the battery hatch.

Note: You may need to relocate the battery position to achieve the correct CG for your model.



Connectors Diagram

Attach aileron servo to the aileron channel of your receiver. Elevator harness goes to elevator channel of your receiver. Steering servo goes to the rudder channel. Attach the ESC connector to the throttle channel of the receiver. The LED to any spare channel. Tuck the wire leads into the recessed cavity at the rear end of the battery hatch.

		Receiver
Aileron	1	Channel-1 — Aile
Elevator	2	Channel-2 — Elev
Throttle	3	Channel-3 — Thro
Rudder	4	Channel-4 — Rudd
Gear	5	Channel-5 — Gear
spare		Spare Channel

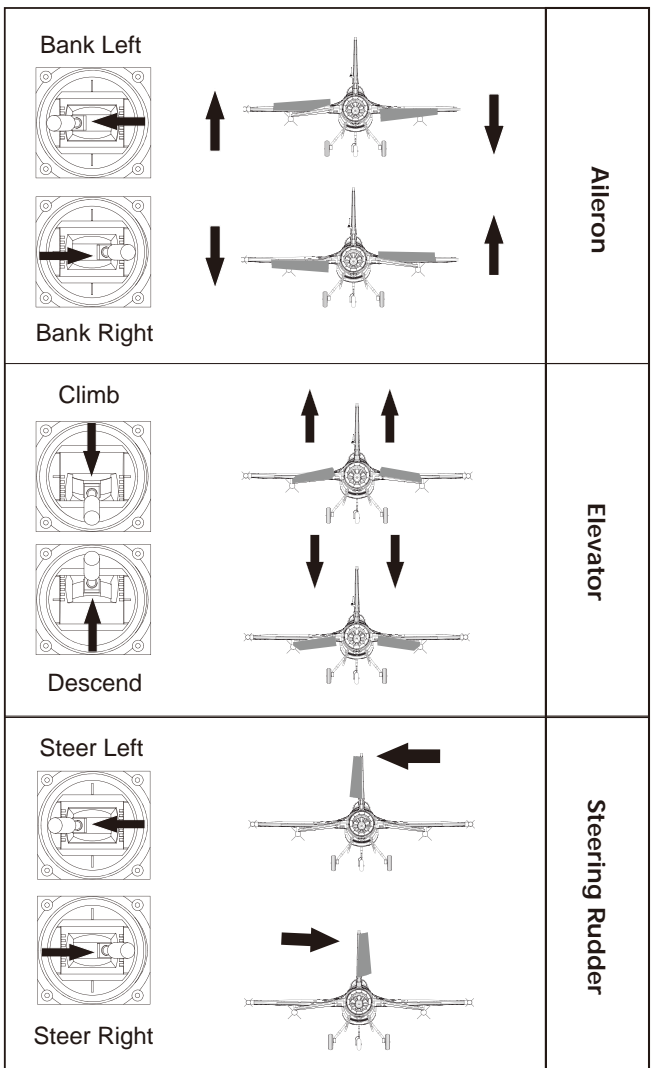
Get your model ready to fly

Important ESC and model information

1. The ESC included with the model has a safe start. If the motor battery is connected to the ESC and the throttle stick is not in the low throttle or off position, the motor will not start until the throttle stick is moved to the low throttle or off position. Once the throttle stick is moved to the low throttle or off position, the motor will emit a series of beeps. Several beeps with the same tune means the ESC has detected the cells of the battery. The count of the beeps equals the cells of the battery. The motor is now armed and will start when the throttle is moved.
2. The motor and ESC come pre-connected and the motor rotation should be correct. If for any reason the motor is rotating in the wrong direction, simply reverse two of the three motor wires to change the direction of rotation.
3. The motor has an optional brake setting. The ESC comes with brake switched off and we recommend that the model be flown with the brake off. However, the brake could be accidentally switched on if the motor battery is connected to the ESC while the throttle stick is set at full throttle. To switch the brake off, move the throttle stick to full throttle and plug in the motor battery. The motor will beep one time. Move the throttle stick to low throttle or the off position. The motor is ready to run and the brake will be switched off.
4. Battery Selection and Installation. We recommend the 22.2v 3300mAh 35C Li-Po battery. If using another battery, the battery must be at least a 22.2v 3300mAh 35C battery. Your battery should be approximately the same capacity, dimension and weight as the 22.2v 3300mAh 35C Li-Po battery to fit the fuselage without changing the center of gravity significantly.

The transmitter and model setup

Before getting started, bind your receiver with your transmitter. Please refer to your Transmitter Manual for proper operation. CAUTION: To prevent personal injury, DO NOT install the propeller assembly onto the motor shaft while testing the control surfaces. DO NOT arm the ESC and do not turn on the transmitter until the Transmitter Manual instructs you to do so. Tips: Make sure all control sticks on your radio are in the neutral position (rudder, elevator, ailerons) and the throttle is in the OFF position. Make sure both ailerons move up and down (travel) the same amount. This model tracks well when the left and right ailerons travel the same amount in response to the control stick. Move the controls on the transmitter to make sure the aircraft control surface moves correctly. See diagrams right.



Check the control throws

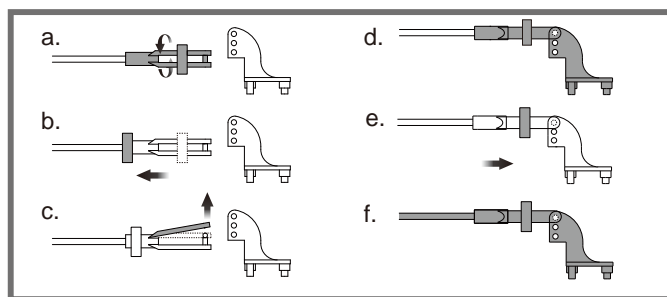
The suggested control throw setting for FMS MODEL are as follows (dual rate setting):

Tips: On first flight, fly the model in low rate. The first time you use high rates, be sure to fly at low to medium speeds. High rate, as listed, is only for EXTREME maneuvering.

	High Rate	Low Rate
Elevator	12mm up/down	10mm up/down
Aileron	14mm up/down	10mm up/down
Rudder	16mm left/right	12mm left/right

Clevis Installation

1. Pull the tube from the clevis to the linkage.
2. Carefully spread the clevis, then insert the clevis pin into the desired hole in the control horn.
3. Move the tube to hold the clevis on the control horn.



Control Horn and Servo Arm Settings

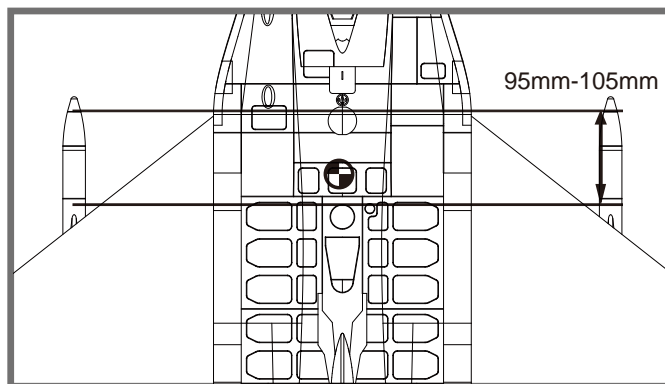
The table shows the factory settings for the control horns and servo arms. Fly the aircraft at the factory settings before making changes. After flying, you may choose to adjust the linkage positions for the desired control response.

	Horns	Arms	More control throw
Elevator			
Rudder			
Ailerons			

Check the C.G. (Center of Gravity)

When balancing your model, adjust the battery as necessary so the model is level or slightly nose down. This is the correct balance point for your model. After the first flights, the CG position can be adjusted for your personal preference.

1. The recommended Center of Gravity (CG) location for your model is (95-105mm) from the leading edge of the main wing (as shown) with the battery pack installed. Mark the location of the CG on top of the wing.
2. When balancing your model, support the plane at the marks made on the bottom of the main wing with your fingers or a commercially available balancing stand. This is the correct balance point for your model. Make sure the model is assembled and ready for flight before balancing.



Before flying the model

Find a suitable flying site

Find a flying site clear of buildings, trees, power lines and other obstructions. Until you know how much area will be required and have mastered flying your plane in confined spaces, choose a site which is at least the size of two to three football fields - a flying field specifically for R/C planes is best. Never fly near people - especially children, who can wander unpredictably.



Perform the range check for your plane

As a precaution, an operational ground range test should be performed before the first flight each time you go out. Performing a range test is a good way to detect problems that could cause loss of control such as low batteries, defective or damaged radio components, or radio interference. This usually requires an assistant and should be done at the actual flying site you will be using.

First turn on the transmitter, then install a fully-charged battery into the fuselage. Connect the battery and install the hatch.

Remember, use care not to bump the throttle stick. Otherwise, the propeller/fan will turn and possibly cause damage or injury.

Note: Please refer to your Transmitter Manual that came with your radio control system to perform a ground range check. If the controls are not working correctly or if anything seems wrong, do not fly the model until you correct the problem. Make certain all the servo wires are securely connected to the receiver and the transmitter batteries have a good connection.



Monitor your flight time

Monitor and limit your flight time using a timer (such as on a wristwatch or in your transmitter if available). When the batteries are getting low you will usually notice a performance drop before the ESC cuts off motor power, so when the plane starts flying slower you should land. Often (but not always) power can be briefly restored after the motor cuts off by holding the throttle stick all the way down for a few seconds. To avoid an unexpected dead-stick landing on your first flight, set your timer to a conservative 4 minutes. When your alarm sounds you should land right away.

Flying Course

Take off

While applying power, slowly steer to keep the model straight. The model should accelerate quickly. As the model gains flight speed you will want to climb at a steady and even rate. It will climb out at a nice angle of attack (AOA).



Flying

Always choose a wide-open space for flying your plane. It is ideal for you to fly at a sanctioned flying field. If you are not flying at an approved site always avoid flying near houses, trees, wires and buildings. You should also be careful to avoid flying in areas where there are many people, such as busy parks, schoolyards, or soccer fields. Consult laws and ordinances before choosing a location to fly your aircraft. After takeoff, gain some altitude. Climb to a safe height before trying technical manoeuvres, including high speed passes, inverted flight, loops, and point rolls.



Landing

Land the model when you hear the motor pulsing (LVC) or if you notice a reduction in power. If using a transmitter with a timer, set the timer so you have enough flight time to make several landing approaches. The model's three point landing gear allows the model to land on hard surfaces. Align model directly into the wind and fly down to the ground. Fly the airplane down to the ground using 1/4-1/3 throttle to keep enough energy for proper flare. Before the model touches down, always fully decrease the throttle to avoid damaging the propeller or other components. The key to a great landing is to manage the power and elevator all the way to the ground and set down lightly on the main landing gear. After a few flights you will find the model can be set down lightly on the mains and you can hold the nose wheel off balancing the model on the mains until it slows and gently settles the nose.



Maintenance

Repairs to the foam should be made with foam safe adhesives such as hot glue, foam safe CA, and 5min epoxy. When parts are not repairable, see the Spare Parts List for ordering by item number. Always check to make sure all screws on the aircraft are tightened. Pay special attention to make sure the spinner is firmly in place before every flight.

Trouble shooting

Problem	Possible Cause	Solution
Aircraft will not respond to the throttlebut responds to other controls.	-ESC is not armed. -Throttle channel is reversed.	-Lower throttle stick and throttle trim to lowest settings. -Reverse throttle channel on transmitter.
Extra propeller noise or extravibration.	-Damaged spinner,propeller, motor or motor mount. -Loose propeller and spinner parts. -Propellor installed backwards.	-Replace damaged parts. -Tighten parts for propeller adapter,propeller and spinner. -Remove and install propeller correctly.
Reduced flight time or aircraft underpowered.	-Flight battery charge is low. -propeller installed backward. -Flight battery damaged.	-Completely recharge flight battery. -Replace flight battery and follow flight battery instructions.
Control surface does not move,or is slow to respond to control inputs.	-Control surface,control horn, linkage or servo damage. -Wire damaged or connections loose.	-Replace or repair damaged parts and adjust controls. -Do a check of connections for loose wiring.
Controls reversed.	Channels are reversed in the transmitter.	Do the Control Direction Test and adjust controls for aircraft and transmitter.
-Motor loses power -Motor power pulses then motor loses power.	-Damage to motor,or battery. -Loss of power to aircraft. -ESC uses default soft Low Voltage Cutoff(LVC).	-Do a check of batteries,transmitter,receiver,ESC,motor and wiring for damage(replace as needed). -Land aircraft immediately and recharge flight battery.
LED on receiver flashes slowly.	Power loss to receiver.	-Check connection from ESC to receiver. -Check servos for damage. -Check linkages for binding.

Spare parts list content

FMSRF101	Fuselage	FMSRF116	Landing Gear Cover
FMSRF102	Main Wing Set	FMSRF117	Linkage Rod
FMSRF103	Vertical Stabilizer	FMSRF118	Pipe
FMSRF104	Horizontal Stabilizer	FMSRF119	Screw
FMSRF105	Missle-1	FMSRF120	Wheel Set
FMSRF106	Missle-2	FMSRF121	Decal Sheet
FMSRF107	Cockpit	FMSRE039	EL Retract
FMSRF108	Cowl	FMSDF12B70	70mm Ducted fan
FMSRF109	Ventral Fin	PRKV1900A	3060-KV1900
FMSRF110	Front Landing Gear Set (Steel)	PRESC035	80A ESC
FMSRF111	Front Landing Gear Set (CNC Metal)		(With 420mm length input cable)
FMSRF112	Main Landing Gear Set	FMSSE9MGDP	9g digital metal gear servo positive
FMSRF113	Front Landing Gear System (Steel)	FMSSE9MGDR	9g digital metal gear servo reverse
FMSRF114	Front Landing Gear System (CNC Metal)		
FMSRF115	Main Landing Gear System		

Visit our website to see photos of this product: www.fmsmodel.com

Decal Instruction

Please choose one set of the decals according to your taste or history materials and paste it as shown(for reference only).

Water Decal Instructions:

The above are water decals. Do not force them off from the backing paper. Please operate according to the following steps:

1. Make sure your hands are dry, and cut the decal down with scissors carefully.
2. Put the decal in water for 2 mins to bring it to full absorption.
3. Carefully remove the decal from the backing paper and apply it on the corresponding position of the airframe (it would be helpful to wet the corresponding position of the airframe to adjust the decal)
4. Soak up the excess water with tissue, squeeze out air slowly, and wait for drying.

Note: Remove the thin film (over the decals) 24 hours later.



Warnhinweise



WARNUNG: Lesen Sie die GESAMTE Bedienungsanleitung, um sich vor der Inbetriebnahme mit den Funktionen des Produkts vertraut zu machen.

Wenn das Produkt nicht ordnungsgemäß bedient wird, kann dies zu Schäden am Produkt oder persönlichem Eigentum führen und schwere Verletzungen verursachen.

Dieses Produkt ist kein Spielzeug! Es muss mit Vorsicht und gesundem Menschenverstand betrieben werden.

Andernfalls kann es zu Verletzungen oder Schäden am Produkt oder anderen Sachwerten führen. Dieses Produkt ist nicht für den Betrieb durch Kinder ohne direkte Aufsicht von Erwachsenen vorgesehen.

Diese Anleitung enthält Hinweise zu Sicherheit und Wartung. Es ist wichtig, dass vor der Verwendung alle Anweisungen und Warnungen in der Anleitung gelesen und befolgt werden, um Schäden oder schwere Verletzungen zu vermeiden.

Sicherheitsvorkehrungen

Als Benutzer dieses Produkts sind Sie allein dafür verantwortlich dieses Produkt so zu betreiben, dass weder Sie selbst noch andere gefährdet oder Schäden am Produkt oder Eigentum anderer verursacht werden.

Dieses Modell wird von einem Funksignal gesteuert, das von vielen Quellen außerhalb Ihrer Kontrolle gestört werden kann. Solche Störungen können zu einem vorübergehenden Kontrollverlust führen. Daher sollte immer einen Sicherheitsabstand zu Personen und Gebäuden eingehalten werden.

Altersempfehlung: Nicht für Kinder unter 14 Jahren. Dies ist kein Spielzeug.

- Betreiben Sie Ihr Modell niemals mit leeren Senderbatterien.
- Betreiben Sie Ihr Modell immer in einem offenen Bereich, abseits von Gebäuden, Verkehr oder Personen.
- Befolgen Sie die gesetzlichen Regelungen Ihres Landes zum Betrieb von ferngesteuerten Modellflugzeugen.
- Befolgen Sie sorgfältig die Anweisungen und Warnungen für dieses und alle unterstützenden Geräte, die Sie verwenden (Ladegeräte, wiederaufladbare Akkus usw.).
- Bewahren Sie alle Chemikalien, Kleinteile und elektrischen Geräte außerhalb der Reichweite von Kindern auf.
- Feuchtigkeit verursacht Schäden an der Elektronik. Vermeiden Sie, dass die Produkte Wasser ausgesetzt werden, die nicht speziell für diesen Zweck entworfen und geschützt sind.
- Nehmen Sie Teile des Produkts niemals in den Mund, da dies zu schweren Verletzungen oder sogar zum Tod führen kann.

Hinweise zu LiPo-Akkus

VORSICHT: Befolgen Sie immer die Anweisungen des Herstellers zur sicheren Verwendung und Entsorgung von Batterien. Durch falsche Handhabung von Li-Po-Batterien können Feuer, Sachschäden oder schwere Verletzungen verursacht werden.

- Seien Sie sich über alle Risiken klar, die mit dem Umgang von Lithium Polymer (LiPo) Akkus verbunden sind. Wenn die Akkus zu irgendeinem Zeitpunkt anschwellen oder aufblähen, verwenden Sie diese auf keinen Fall mehr!
- Um die Lebensdauer des Akkus zu verlängern sollten dieser bei Zimmertemperatur in einem trockenen Bereich gelagert werden. Bewahren Sie den Akku oder das Modell nicht in einem Auto oder in direktem Sonnenlicht auf. Wenn der Akku über einen längeren Zeitraum zu hohen Temperaturen ausgesetzt wird kann dieser beschädigt werden oder sogar Feuer fangen.
- Verwenden Sie niemals ein NiMH-Ladegerät, um Li-Po-Akkus aufzuladen. Wenn der Akku nicht mit einem Li-Po-kompatiblen Ladegerät geladen wird, kann dies zu einem Brand führen, der zu Personen- und Sachschäden führen kann.
- Niemals Li-Po Zellen unter 3V entladen.
- Lassen Sie Akkus beim Laden niemals unbeaufsichtigt.
- Laden Sie niemals beschädigte Akkus auf.
- Aufladen des LiPo-Akkus: Verwenden Sie ein Ladegerät, das die Li-Po-Batterie sicher aufladen kann. Lesen Sie vor dem Gebrauch die Anweisungen des Ladegeräts sorgfältig durch. Achten Sie beim Laden des Akkus darauf, dass sich der Akku auf einer hitzebeständigen Oberfläche befindet. Es wird auch dringend empfohlen, den Li-Po Akku in einem feuerbeständigen LiPo-Koffer zu laden. LiPo Koffer finden Sie bei Ihrem Fachhändler oder im Internet.

Einleitung

Die F-16C V2 von FMS mit einer Spannweite von 81 cm ist ein sehr detailliertes Modell aus EPO Schaum. Das Modell zeichnet sich durch viele neue Konstruktions- und Montagemerkmale aus, wie die optimierte Schraubmontage, vorinstallierte Kugelgelenke und einen Heavy-Duty Flügelholm. Dank dieser Montagemerkmale ist eine sehr schnelle Montage und Demontage möglich. Des weiteren bietet das Modell der F-16C V2 viele Scale Details, ein detailliertes Cockpit mit Pilot, ein gefedertes und CNC gefrästes Einziehfahrwerk und verschiedene Aufkleber-Sets.

Mit dem starken 70mm Brushless EDF Antrieb mit einem 12 Blatt Impeller und einem 6S Lipo Akku erlangt das Modell eine sehr hohe Fluggeschwindigkeit und eine exzellente Performance. Dank des gefederten Einziehfahrwerks und den großen Rädern sind Starts und Landungen auch auf Graspisten möglich.

Die bereits eingebauten Servos verrichten ihre Arbeit schnell und zuverlässig. Der Zugang zum Antriebsakku erfolgt durch die abnehmbare Kabinenhaube.

Features

- 70mm 12-Blatt EDF, 3060-KV1900 Brushless Motor System
- Hochwertiger Predator 80A Brushless Regler
- gefedertes Metall Fahrwerk, CNC gefräst
- detailliertes Cockpit
- einfache Montage und Demontage
- Umweltfreundliche, wasserbasierende Farbe für eine bessere Erkennung
- verschiedene Aufkleber-Sets

Inhaltsverzeichnis

- Einleitung 14
- Lieferumfang 14
- Montage des Modells 15
- Einsetzen des Akkus 18
- Anschluss an den Empfänger 18
- Empfänger 18
- Montage der Gabelköpfe 20
- Ruderhorn- und Servoarm- Einstellungen 20
- Einstellen des Schwerpunkts 20
- Vor dem Erstflug 21
- Fluggrundlagen 21
- Problemlösungen 22
- Ersatzteile 22
- Dekorbogen 23

Lieferumfang

Bitte überprüfen Sie vor der Endmontage ob alle Teile des Modells enthalten sind. Das folgende Bild zeigt den Inhalt des Kits.

Sollten Teile fehlen notieren Sie sich bitte den Namen und die Teilenummer (siehe Ersatzteilliste am Ende dieser Bauanleitung) und kontaktieren Sie Ihren lokalen Händler oder senden Sie uns eine E-Mail an info@d-power-modellbau.com.

Technische Daten

Spannweite: 813 mm

Gesamtlänge: 1258 mm

Fluggewicht: ca. 2090 g

Motor: Brushless 3060-KV1900

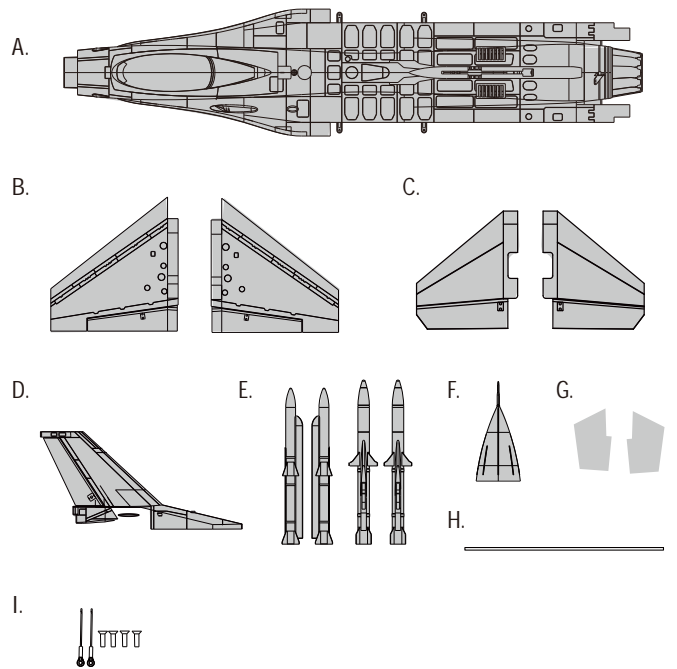
Flächenbelastung: 102.5 g/dm²

Flächeninhalt: 20.4 dm²

Regler: 80A

Servo: 6x 9g Servo MG

Empfohlener Akku: 6S 22.2V 3300mAh 35C



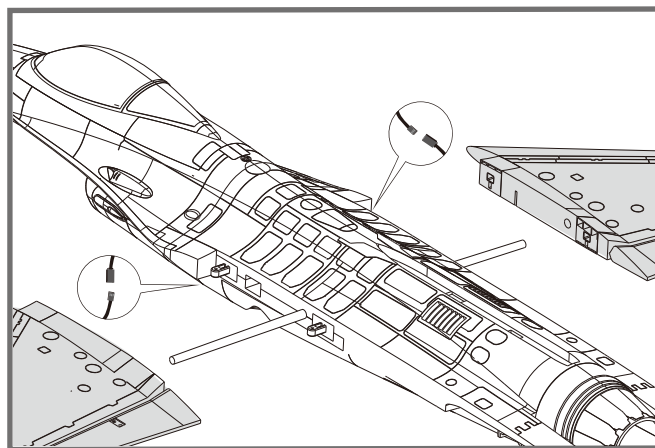
- A: Rumpf
- B: Tragflächen
- C: Höhenruder
- D: Seitenruder
- E: Raketen Set
- F: Nase
- G: Bauchflossen
- H: Flächensteckungsrohr
- I: Anlenkungen und Schrauben

Montage des Modells

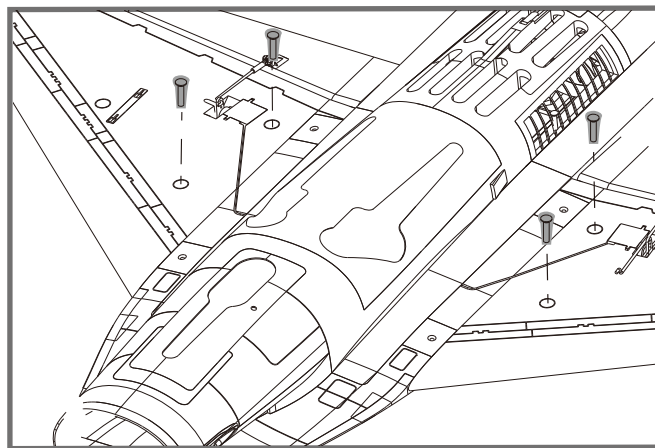
Montage der Tragflächen

1. Schieben Sie das Steckrohr in den Rumpf und stecken Sie dann beide Flügel in den jeweils vorgesehenen Schlitz im Rumpf.

Hinweis: Die Anschlüsse an beiden Seiten sollten genau und fest angebracht sein.

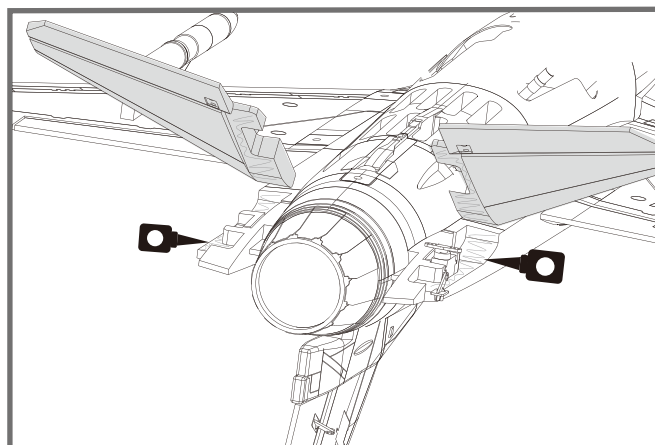


2. Sichern Sie die Tragflächen mit den beiliegenden Schrauben.



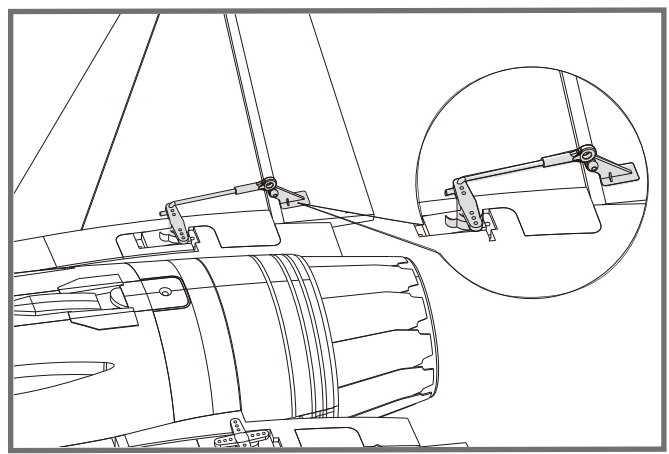
Montage des Höhenruders

1. Tragen Sie vorsichtig Sekundenkleber auf die Rumpfteile wie in der Abbildung zu sehen. Platzieren Sie die Höhenleitwerke. Stellen Sie sicher, dass die Ruderhörner wie abgebildet nach unten zeigt.



Montage des Modells

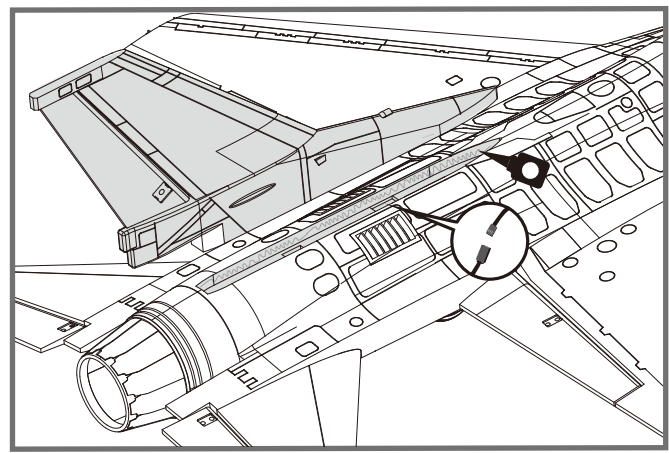
2. Die Kugelgelenke mit der im Lieferumfang enthaltenen Anlenkungsstange wie gezeigt am äußersten Loch des Höhenruderhorns befestigen



Montage des Seitenruders

1. Kleber vorsichtig auf den oberen hinteren Rumpfschlitz auftragen. Installieren Sie das Seitenleitwerk.

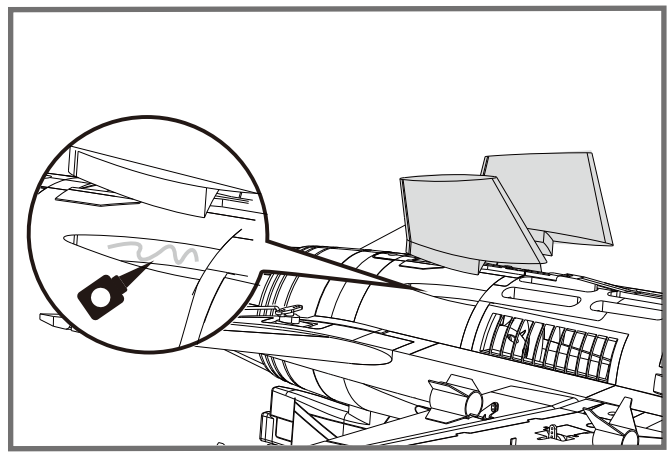
Hinweis: Die Anschlüsse auf beiden Seiten sollten genau und fest angebracht sein.



Montage der Finnen

1. Kleber vorsichtig auf den unteren hinteren Rumpfschlitz auftragen. Setzen Sie die Finnen ein.

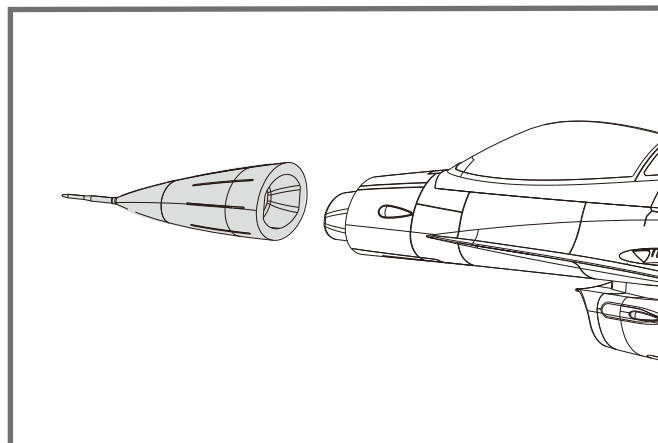
Hinweis: 1. Stellen Sie sicher, dass die höhere Seite zur Vorderseite der Ebene zeigt.
2. Die Finnen werden wie gezeigt nach außen geneigt sein.



Montage des Modells

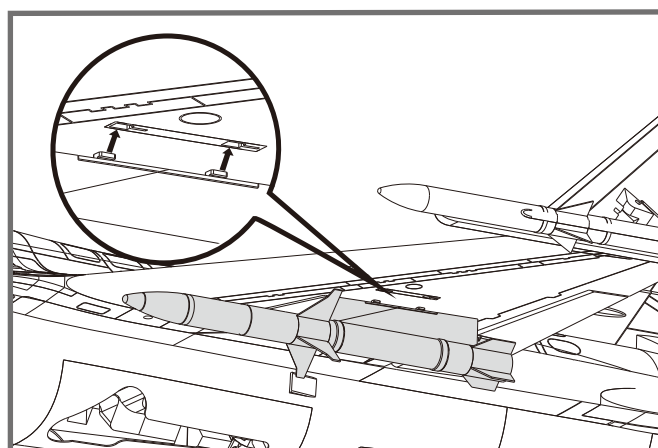
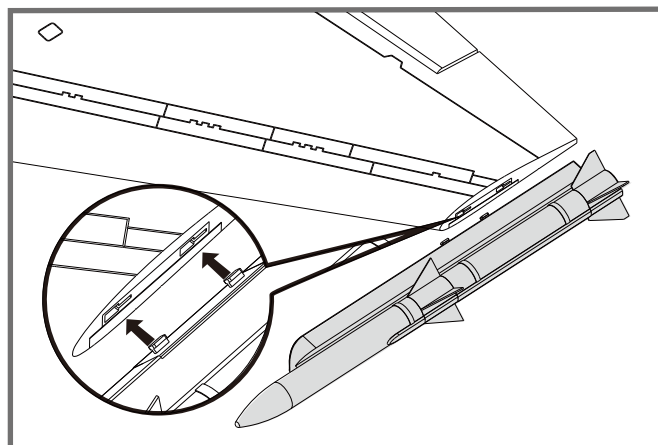
Anstecken der Nase

1. Bringen Sie die Nase wie gezeigt an den vorderen Rumpf an.



Montage der Raketen

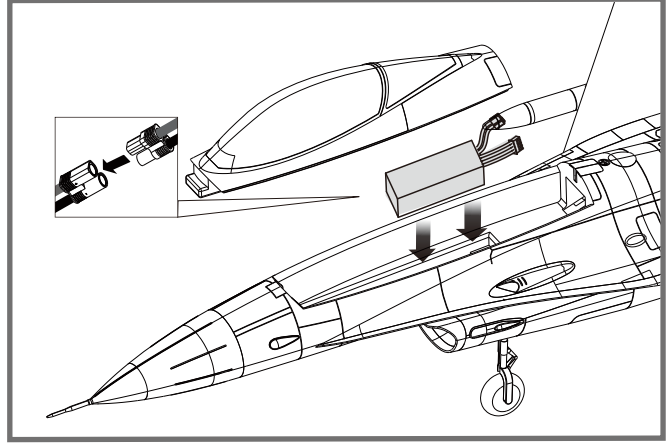
1. Stecken Sie die Raketen wie abgebildet in die entsprechenden Vorrichtungen.



Einsetzen des Flugakkus

1. Befestigen Sie das Klettband.
2. Schieben Sie den Akku ans hintere Ende des Rumpfes in das Akkufach.

Hinweis: Eventuell müssen Sie den Akku noch leicht verschieben können um den korrekten Schwerpunkt zu erreichen.



Anschluss an den Empfänger

Schließen Sie das Kabel des Querruderservos am Querruderanschluss (AILE) Ihres Empfängers an. Das Höhenruderservo wird in den Höhenruderanschluss (ELEV) des Empfängers gesteckt. Das Seitenruder Servo in den Seitenruderanschluss (RUDD). Schließen Sie den Regler am Gaskanal (THRO) ihres Empfängers an. Der Stecker für die LED-Beleuchtung kann an einem freien Steckplatz angeschlossen werden. Verstauen Sie die Kabel im vertieften Hohlraum am hinteren Ende des Akkufachs.

		Receiver
Querruder	1	Channel-1 — Aile
Höhenruder	2	Channel-2 — Elev
Gas	3	Channel-3 — Thro
Seitenruder	4	Channel-4 — Rudd
Landegestell	5	Channel-5 — Gear
Ersatzkanal		Spare Channel

Flugvorbereitungen

Wichtige Informationen zum Regler

1. Der eingebaute Regler ist mit einer Sicherheitsschaltung versehen. Sollte der Akku angeschlossen sein und der Gashebel nicht auf niedrig / Motor aus stehen, wird der Motor nicht starten. Wird der Gashebel ganz nach unten bewegt erzeugt der Regler eine Tonserie. Töne in der gleichen Höhe geben die Anzahl der Zellen an die der Regler gezählt hat. Diese ist gleich mit der Zellenanzahl des Akkus. Der Regler ist jetzt scharf geschaltet und startet den Motor wenn der Gashebel bewegt wird.
2. Motor und Regler sind bereits verkabelt und auch die Drehrichtung des Motors sollte korrekt sein. Sollte der Motor in die falsche Richtung drehen, tauschen Sie zwei der drei Motoranschlusskabel um die Richtung wieder zu ändern.
3. Der Regler ist mit einer optionalen Bremse ausgestattet. Wir empfehlen das Modell mit der deaktivierten Bremse zu fliegen. Es ist möglich die Bremse versehentlich zu aktivieren wenn der Akku mit dem Regler verbunden wird und der Gashebel auf Vollgas steht. Um die Bremse wieder auszuschalten gehen Sie mit dem Gashebel wieder auf Vollgas und verbinden den Akku. Vom Motor ertönt ein Piepton. Bewegen Sie den Gashebel auf Leerlauf oder Motor aus. Der Motor ist dann betriebsbereit und die Bremse ausgeschaltet.
4. Akkuauswahl und Einbau:
Wir empfehlen einen Lipo Akku mit 22.2V (6S), 30C und 3300mah. Sollten Sie einen anderen Akku verwenden muß dieser mindestens die gleichen Spezifikationen in Leistung und Abmessung aufweisen.damit der Schwerpunkt nicht wesentlich geändert wird.

Testen der Steuerfunktionen

Bevor Sie mit diesem Schritt beginnen, binden Sie bitte der Anleitung ihres Senders entsprechend den Empfänger mit dem Sender.

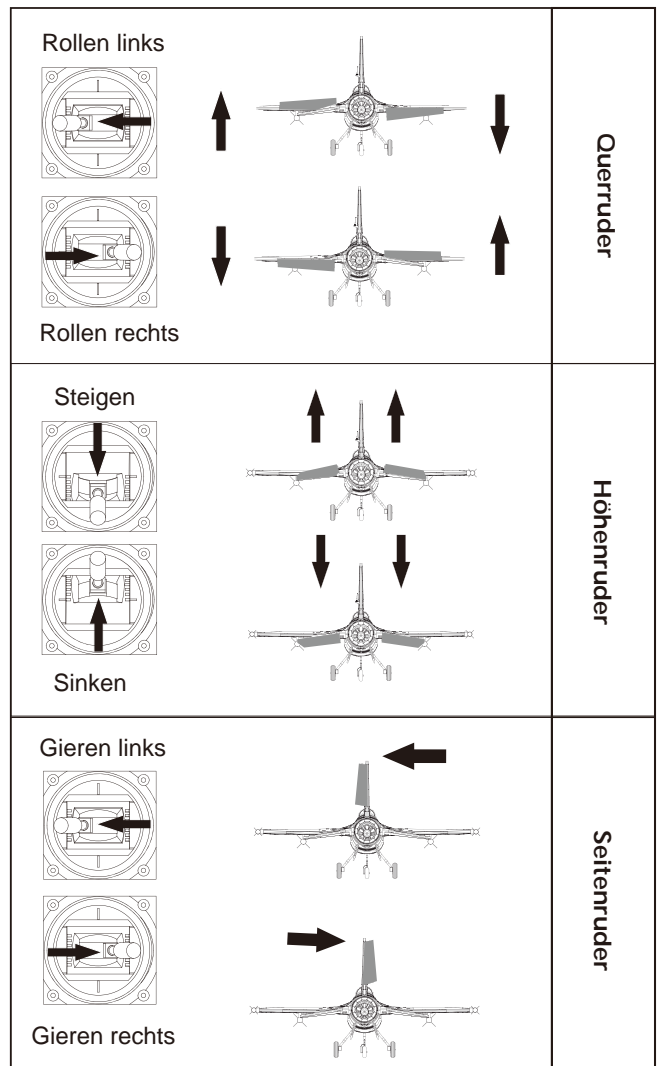
ACHTUNG: Um mögliche Verletzungen zu vermeiden darf der Propeller bei dem Testen der Ruder NICHT auf der Welle montiert sein. Armieren Sie den Regler NICHT und schalten auch nicht den Sender ein bevor es in der Anleitung des Senders vorgeben wird.

TIPP: Stellen Sie sicher, dass alle Steuerhebel auf dem Sender auf der neutralen Position sind und der Gashebel auf Motor aus.

Stellen Sie sicher, dass beide Querruder den gleichen Weg im Verhältnis zum Steuerknüppelausschlag ausschlagen.

Bewegen Sie die Steuerhebel des Sender um sicher zu stellen, dass sich die Ruder korrekt bewegen.

Sehen Sie dazu die Abbildungen unten. Sollten die Ruder in die falsche Richtung arbeiten reversieren Sie die Funktion. Lesen Sie dazu bitte in der Anleitung des Sender nach.



Ruderausschläge

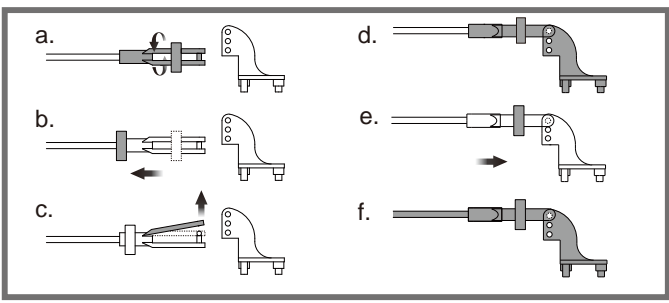
Die empfohlenen Ruderausschlag-Einstellungen sind (Dual Rate):

Tipp: Fliegen Sie das Modell beim ersten Flug mit "normalen Ausschläge". Wenn Sie zum ersten Mal "maximale Ausschläge" verwenden, sollten Sie bei niedrigen bis mittleren Geschwindigkeiten fliegen.

	maximale Ausschläge	normale Ausschläge
Höherruder	12mm oben / unten	10mm oben / unten
Querruder	14mm oben / unten	10mm oben / unten
Seitenruder	16mm links / rechts	12mm links / rechts

Montage der Gabelköpfe

1. Ziehen Sie den Ring vom Gabelkopf zum Gestänge.
2. Spreizen Sie den Gabelkopf vorsichtig und führen Sie den Gabelkopfstift in das gewünschte Loch im Ruderhorn ein.
3. Befestigen Sie den Ring um den Gabelkopf am Ruderhorn zu halten.



Ruderhorn- und Servoarm-Einstellungen

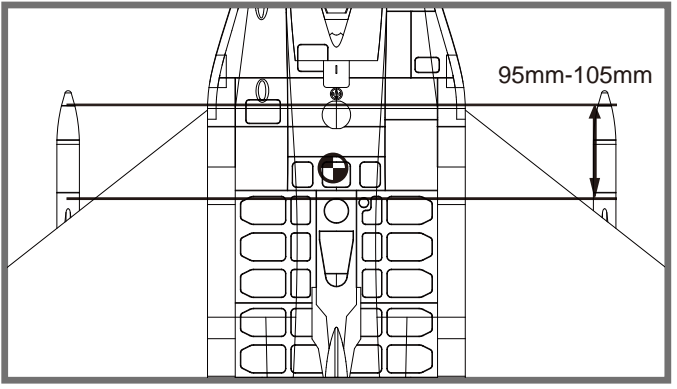
Die Tabelle zeigt die Werkseinstellungen für die Ruderhörner und Servoarme. Fliegen Sie das Flugzeug mit den Werkseinstellungen, bevor Sie Änderungen vornehmen. Nach dem Flug können Sie die Einstellungen nach Ihren Wünschen anpassen.

	Ruderhorn	Servoarm	Mehr Ruderausschlag
Höhenruder			
Seitenruder			
Querruder			

Einstellen des Schwerpunkts

Setzen Sie zum Ausbalancieren des Schwerpunktes den Antriebsakku ein. Richten Sie den Akku so aus, dass das Modell gerade oder mit der Nase leicht nach unten zeigt. Nach den ersten Flügen können Sie dann den Schwerpunkt nach ihren persönliche Vorlieben einrichten.

1. Der empfohlene Schwerpunkt für das Modell befindet sich mit eingesetztem Akku 95-105 mm von der Tragflächenvorderkante nach hinten gemessen. Markieren Sie den Schwerpunkt auf der Tragflächenoberseite.
2. Balancieren Sie das Modell auf einer Schwerpunktwage aus. Bitte beachten Sie dass das Modell dabei flugfertig ausgerüstet sein muss.



Vor dem Erstflug

Finden Sie einen geeigneten Flugplatz

Finden Sie einen Flugplatz frei von Gebäuden, Bäumen, Stromleitungen und anderen Hindernissen. Bis Sie wissen, wie viel Fläche Sie zum fliegen brauchen, wählen Sie einen Platz der mindestens die Größe von 2 bis 3 Fussballfeldern hat. Wählen Sie am besten einen RC Flugplatz eines Modellflugvereins. Fliegen Sie dabei niemals in der Nähe von Menschen - besonders von Kindern, die unvorhersehbar handeln könnten.

Führen Sie einen Reichweitentest für Ihr Modell durch

Als Vorsichtsmaßnahme sollte vor jedem Flug ein Reichweitentest durchgeführt werden, um Probleme zu erkennen, die zu einem Verlust der Kontrolle führen könnten (z.B. schwache Batterien, defekte oder beschädigte Fernsteuerungskomponenten, Funkstörungen). Dies erfordert einen Kollegen oder Assistenten.

Schalten Sie zuerst den Sender ein und schließen Sie einen vollgeladenen Akku im Modell an. Achten Sie darauf dass sich der Gasknüppel in Neutralstellung befindet. Andernfalls könnten Propeller oder Lüfter Schäden oder Verletzungen verursachen.

Hinweis: Lesen Sie zum Reichweitentest auch die Bedienungsanleitung Ihrer Fernsteuerung.

Überwachen Sie Ihre Flugzeit

Überwachen oder Begrenzen Sie Ihre Flugzeit mit einem Timer (z.B. auf einer Armbanduhr, einem Smartphone oder auf Ihrem Sender, falls verfügbar).

Wenn der Akku während des Fluges fast leer ist bemerken Sie normalerweise einen Leistungsabfall, bevor der Regler die Motorleistung unterbricht. Wenn das Modell langsamer wird sollten Sie also landen.

Stellen Sie Ihren Timer auf 4 Minuten ein um einen unerwartete Leistungsabfall zu vermeiden. Wenn der Alarm des Timers ertönt sollten Sie landen.

Fluggrundlagen

Starten

Beschleunigen Sie das Modell vorsichtig und steuern Sie es langsam um es gerade zu halten. Erhöhen Sie die Beschleunigung und halten Sie eine gleichmäßige Geschwindigkeit um das Modell in einem schönen Anstellwinkel in die Luft steigen zu lassen.

Fliegen

Wählen Sie immer einen weiten und offenen Platz um das Modell zu fliegen. Besuchen Sie einen RC Flugplatz eines Modellflugvereins. Fliegen Sie auf keinen Fall an Orten, an denen der Betrieb eines ferngesteuerten Flugzeugs nicht zulässig ist (Flughäfen, Naturschutzgebiete, Siedlungen, ...). Nach dem Start bringen Sie Ihr Modell auf eine sichere Flughöhe, bevor Sie Flugmanöver wie Rollen, Loopings oder ähnliches ausprobieren.

Landen

Landen Sie das Modell, sobald Sie eine Leistungsreduzierung bemerken oder Ihr eingestellter Timer ertönt. Stellen Sie Ihren Timer so ein, dass Ihnen genug Flugzeit bleibt, um mehrere Landeanflüge zu haben. Ist das Modell mit einem Fahrwerk ausgestattet können Sie auf harten Pisten landen. Richten Sie das Modell direkt gegen den Wind aus und setzen Sie mit 1/4 bis 1/3 Gas zur Landung an. Bevor das Modell aufsetzt sollte der Gasknüppel in der 0-Stellung stehen um Schäden am Propeller oder anderen Komponenten zu vermeiden.

Instandhaltung

Reparaturen am Schaummodell sollten mit schaumsicheren Klebstoffen wie Heißkleber, Sekundenkleber speziell für Schaumstoff oder 5.min Epoxy erfolgen.

Wenn Teile nicht reparierbar sind finden Sie am Ende dieser Anleitung die Ersatzteilliste mit allen Bestellnummern.

Überprüfen Sie vor und nach jedem Flug ob alle Schrauben am Modell festgezogen sind. Achten Sie insbesondere darauf, dass Spinner und Luftschraube vor jedem Flug fest sitzen und frei drehen.

Problemlösungen

Problem	Mögliche Ursache	Lösung
Modell nimmt kein Gas an, andere Steuerungsbefehle funktionieren aber	- Regler reagiert nicht - Gaskanal ist umgekehrt	- Gasknüppel ist nicht ganz unten oder Trimmung zu hoch - Gaskanal am Sender umkehren
Ungewöhnliche Propellergeräusche oder Vibrationen	- Spinner, Propeller, Motor oder Motorhalterung defekt - Spinner oder Propeller lose - Propeller falsch herum montiert	- Defekte Teile austauschen - Lose Teile befestigen - Propeller richtig montieren
Zu kurze Flugdauer oder Antrieb ist nicht kraftvoll genug	- Flugakku ist zu leer - Propeller falsch herum montiert - Flugakku defekt	- Vollständiges Aufladen des Flugakkus - Flugakku ersetzen
Ruder bewegen sich nicht oder reagieren nur langsam auf Steuerbefehle	- Ruder, Ruderhörner, Anlenkung oder Servo beschädigt - Kabel beschädigt oder Servostecker lose	- Austauschen oder Reparieren der defekten Teile - Kabel und Stecker überprüfen
Ruder schlagen in die falsche Richtung aus	Kanäle auf dem Sender sind umgekehrt	Testen der Servowegeinstellungen und Konfiguration der Kanäle am Sender
- Motor verliert Leistung	- Motor oder Akku defekt - Stromzufuhr unterbrochen	- Akku, Empfänger, Regler, Motor und Verkabelung überprüfen (austauschen bei Defekt) - Modell unverzüglich landen und überprüfen
LED am Empfänger blinkt langsam	Empfänger hat keinen Strom	- Überprüfen der Verbindung zwischen Regler und Empfänger. - Servos auf Defekt überprüfen. - Überprüfen ob der Empfänger korrekt mit dem Sender gebunden ist

Ersatzteilliste

FMSRF101	Rumpf	FMSRF116	Fahrwerksabdeckungen
FMSRF102	Tragflächen Set	FMSRF117	Anlenkungsgestänge
FMSRF103	Seitenleitwerk	FMSRF118	Tragflächenrohr
FMSRF104	Höhenleitwerk	FMSRF119	Schrauben Set
FMSRF105	Rakete 1	FMSRF120	Räder Set
FMSRF106	Rakete 2	FMSRF121	Dekorbogen
FMSRF107	Cockpit	FMSRE039	EL Einziehfahrwerk
FMSRF108	Haube	FMSDF12B70	70mm Impeller
FMSRF109	vertikale Finne	PRKV1900	3060-KV1900 Motor
FMSRF110	Vorderes Fahrwerk Set (Stahl)	PRESC035	80A Regler
FMSRF111	Vorderes Fahrwerk Set (CNC Metall)		(Mit 420mm Kabellänge)
FMSRF112	Hauptfahrwerk Set	FMSSE9MGDP	9g Digitalservo MG (Positiv)
FMSRF113	Vorderes Fahrwerkssystem (Stahl)	FMSSE9MGDR	9g Digitalservo MG (Reverse)
FMSRF114	Vorderes Fahrwerkssystem (CNC Metall)		
FMSRF115	Hauptfahrwerkssystem		

Besuchen Sie unsere Webseite um Fotos der Ersatzteile zu sehen: www.d-power-modellbau.com

Dekorbogen

Wählen Sie eins der Dekore aus und bekleben das Modell wie abgebildet.

AF 88 339 ALABAMA AL-Confirmed 144FW-Confirmed
 City of Auburn City of Auburn
 AL AL
 AF 88 339
 CALIFORNIA CALIFORNIA
 144FW 83-144 83-144
 144FW
 ARKANSAS FORT SMITH FORT SMITH FS FS FS-Confirmed
 188FW 188FW ARKANSAS
 FS-Confirmed
 180FW 180FW 180FW-Confirmed
 LOBOS LOBOS AF 85 469 AF 85 469 AF-Confirmed
 SOUTH DAKOTA SOUTH DAKOTA
 =★= =★= =★= ALL-Confirmed

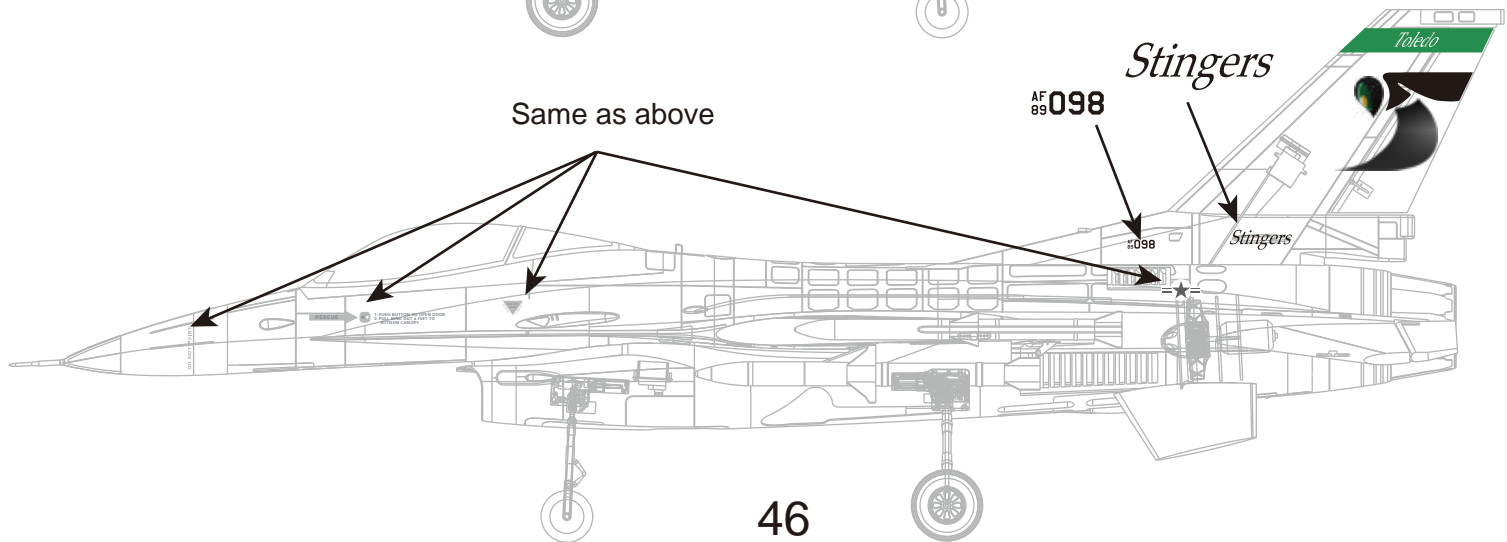
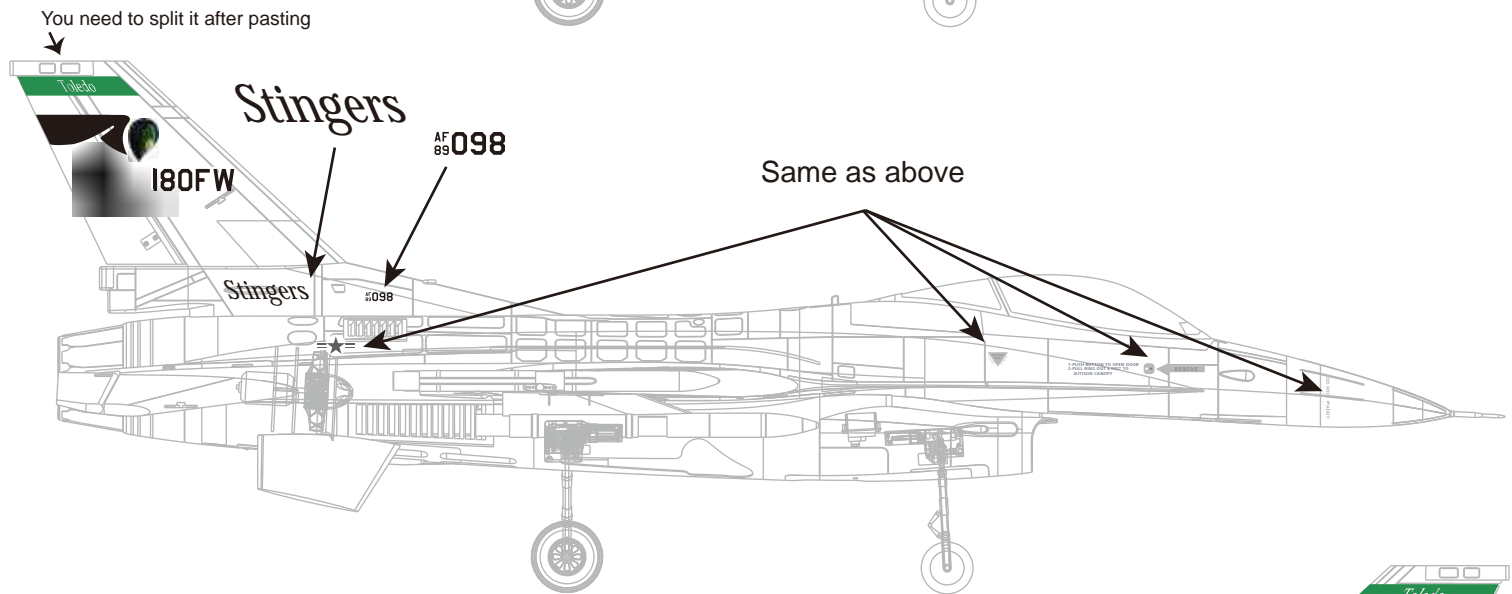
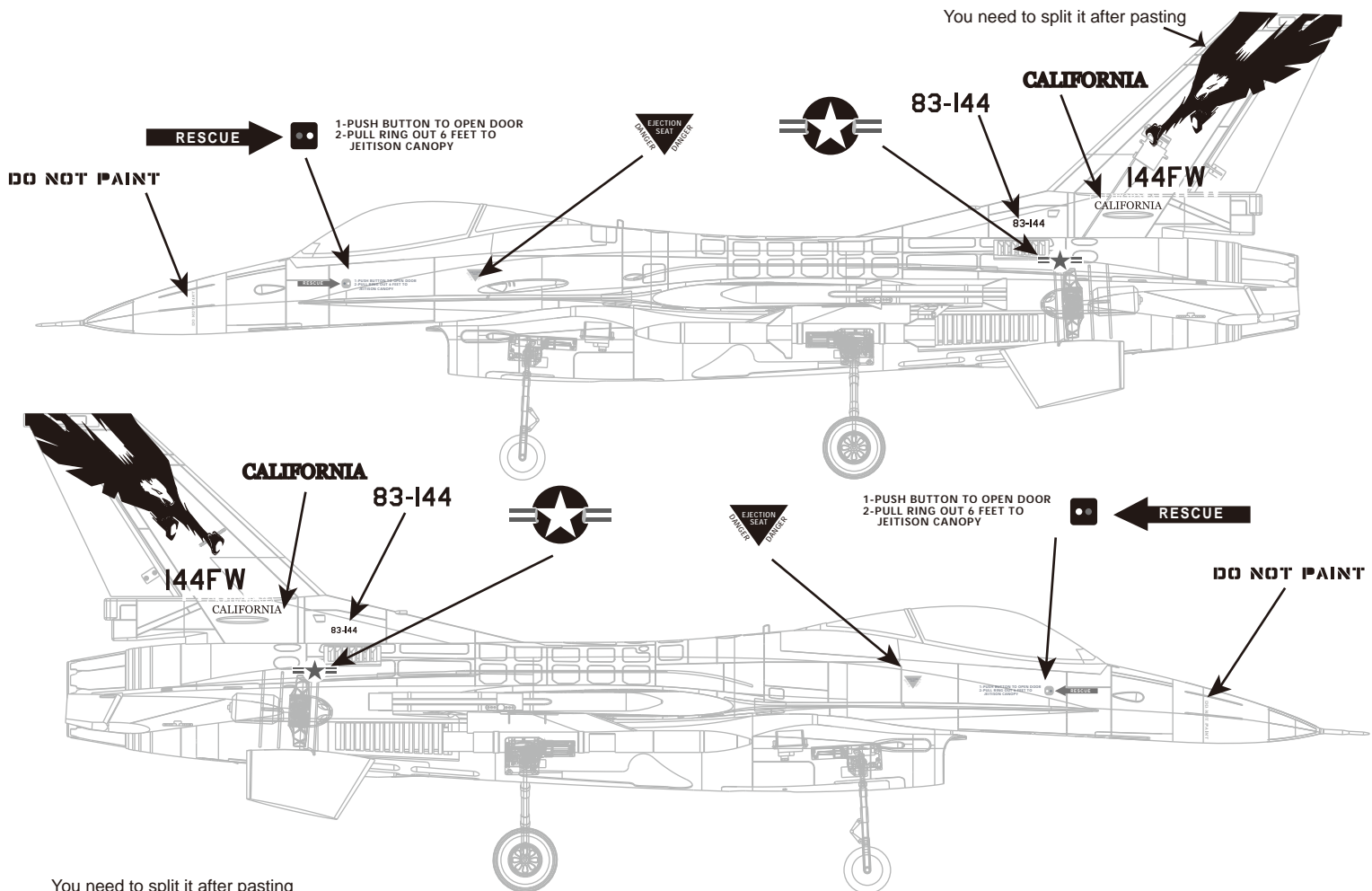
Wasser Aufkleber aufbringen

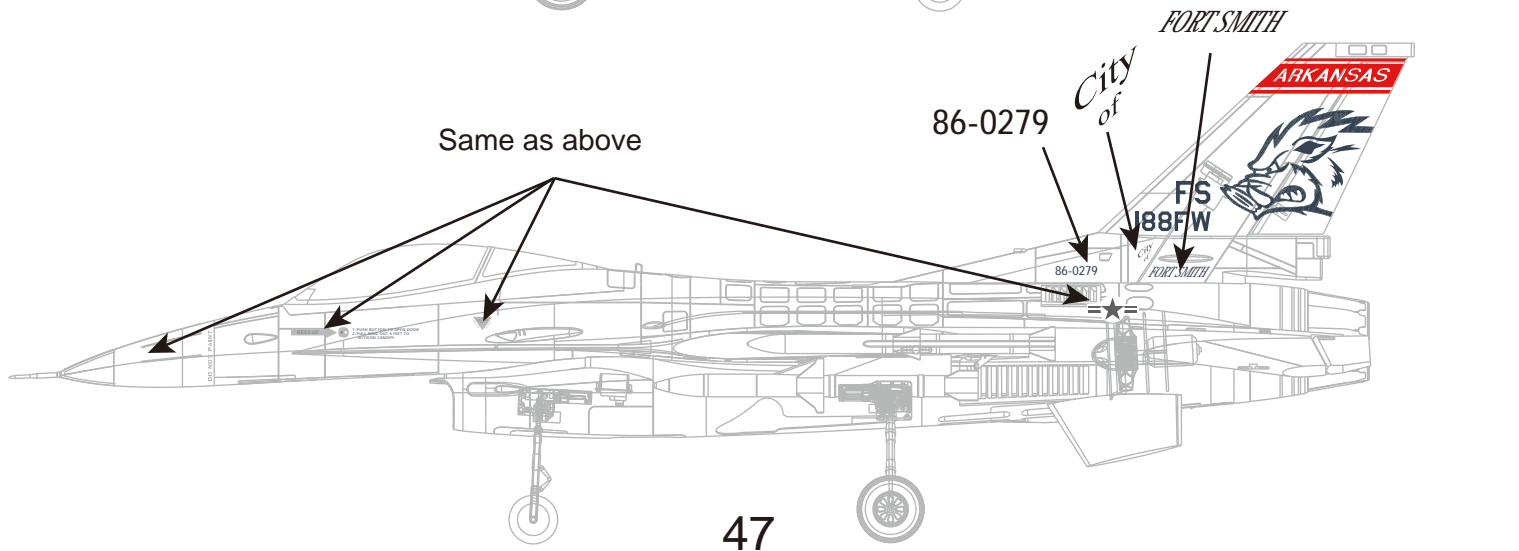
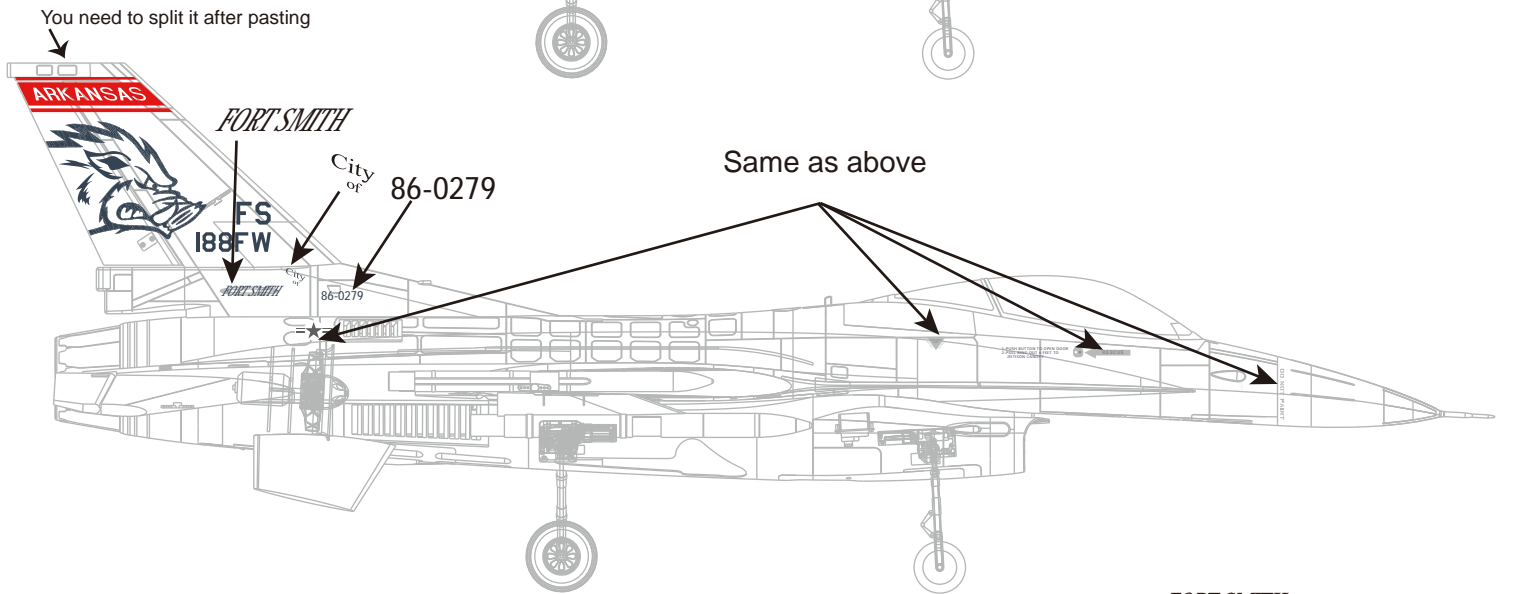
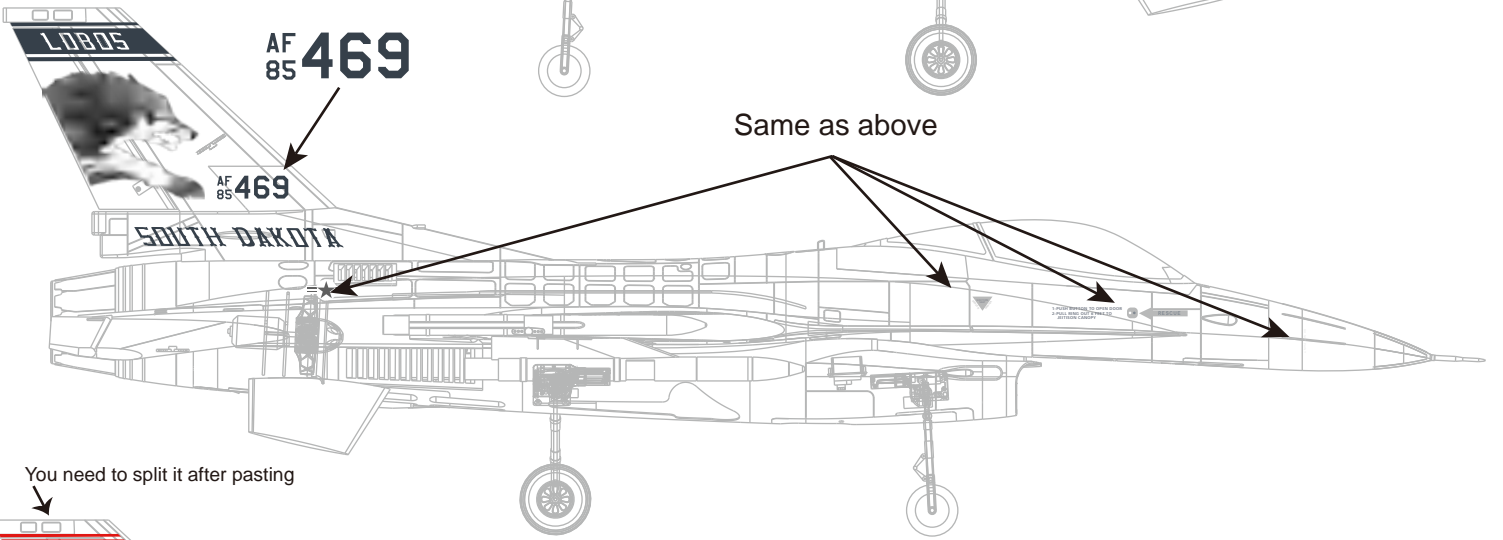
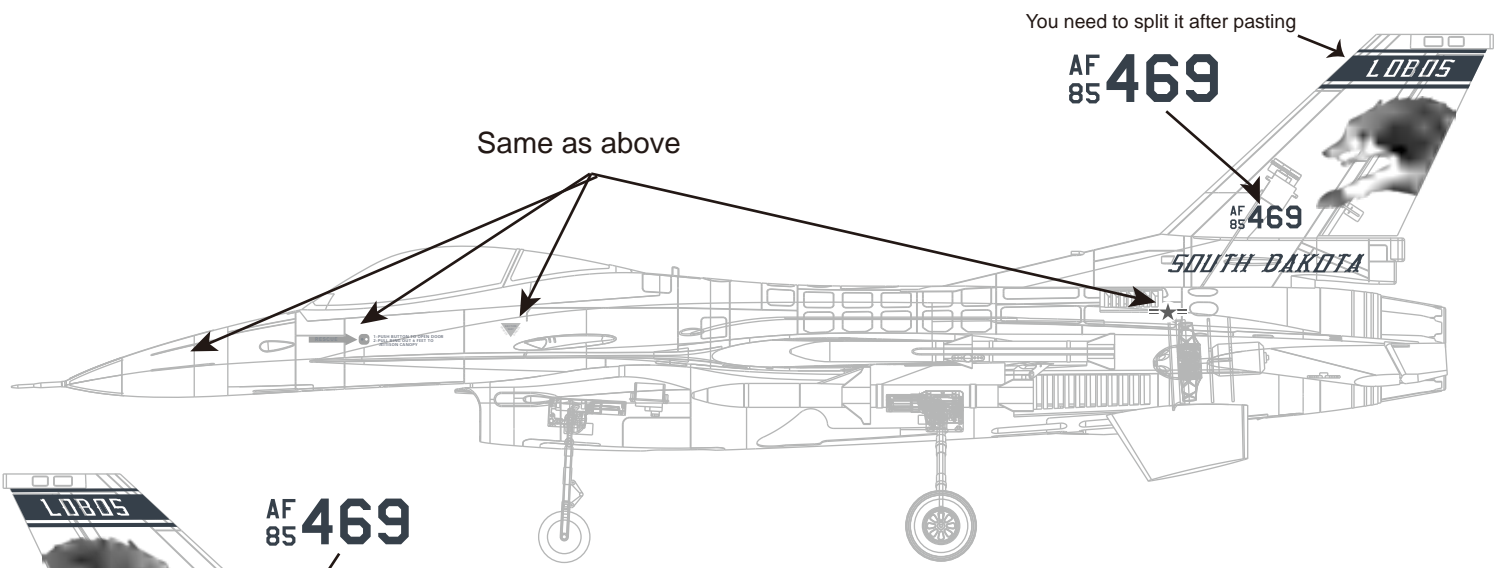
Die verschiedenen Dekore sind Wasserabziehbilder. Bitte nur wie unten angegeben lösen / aufbringen.

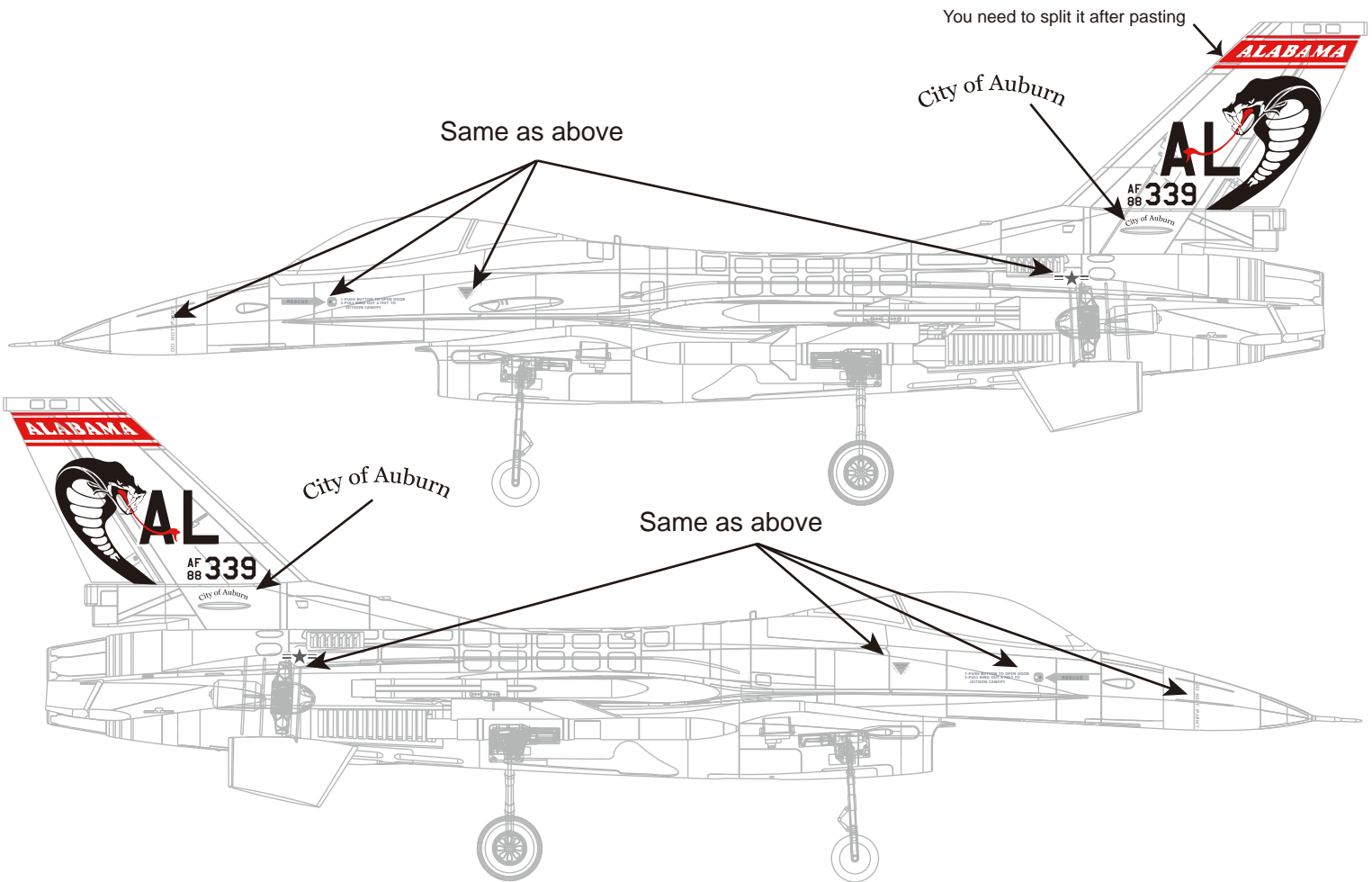
1. Stellen Sie sicher, dass Ihre Hände trocken sind, und schneiden Sie das Abziehbild vorsichtig mit der Schere aus.
2. Legen Sie den Aufkleber 2 Minuten in Wasser HINWEIS: Der Aufkleber muss vollständig mit Wasser bedeckt sein!
3. Entfernen Sie vorsichtig den Aufkleber vom Trägerpapier und kleben diesen an die vorgesehene Stelle am Modell.
4. Drücken Sie den Aufkleber vorsichtig und blasenfrei mit einem Papiertaschentuch an und saugen Sie das überschüssige Wasser mit einem Papiertaschentuch auf.

HINWEIS: Entfernen Sie den dünnen Film (über den Abziehbildern) erst 24 Stunden später.









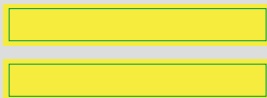
The below adhesive decals are for airframe and missiles. Apply them as shown.



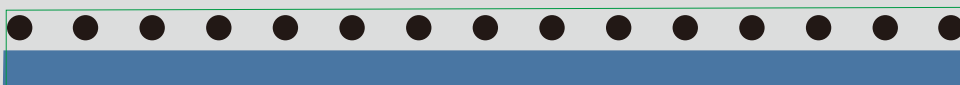
1

2

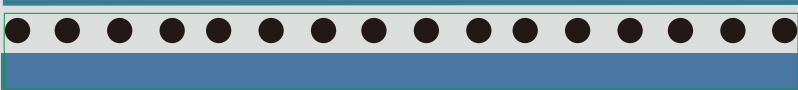
3



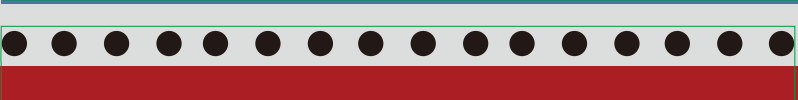
7



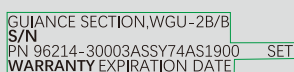
8



9



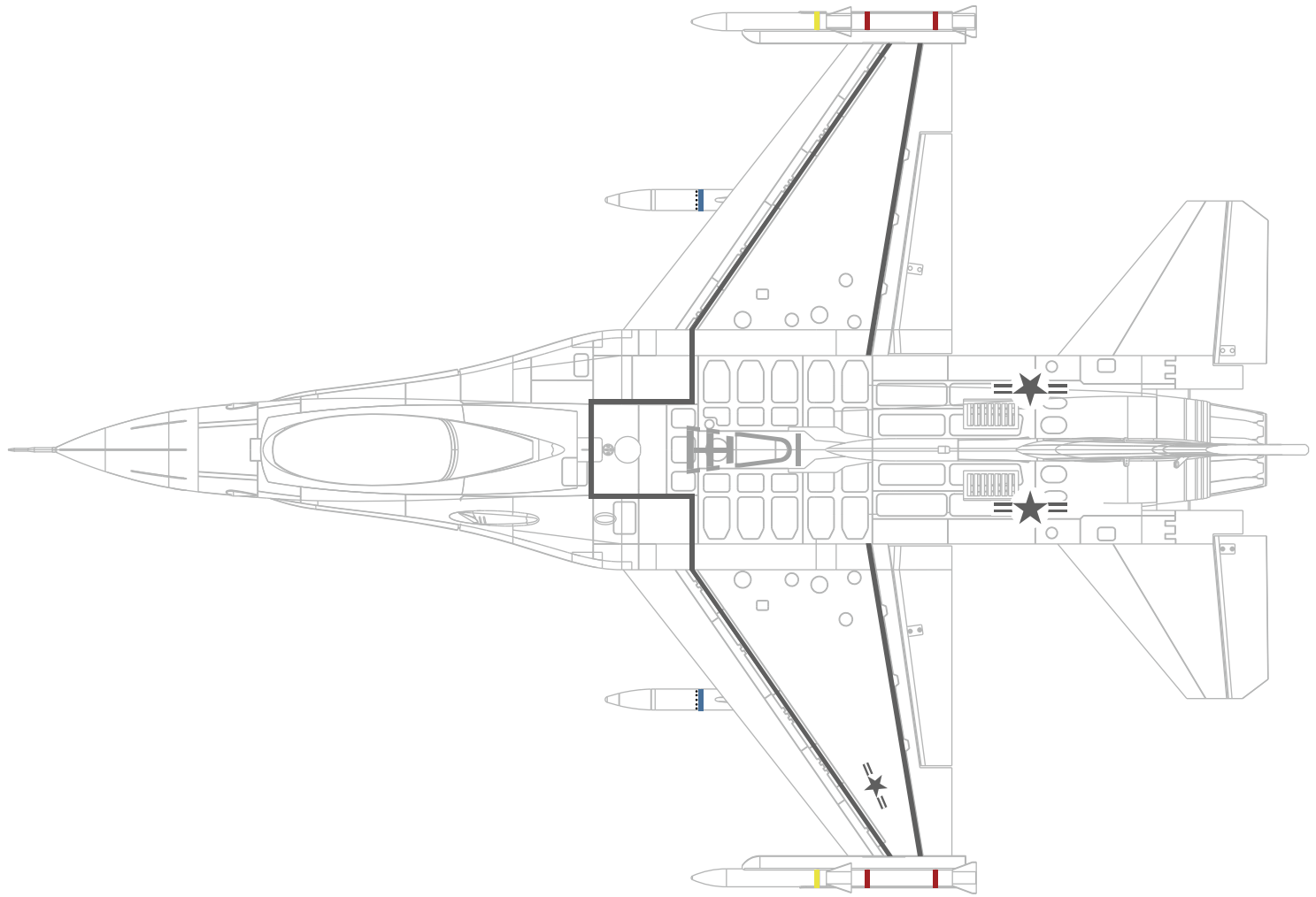
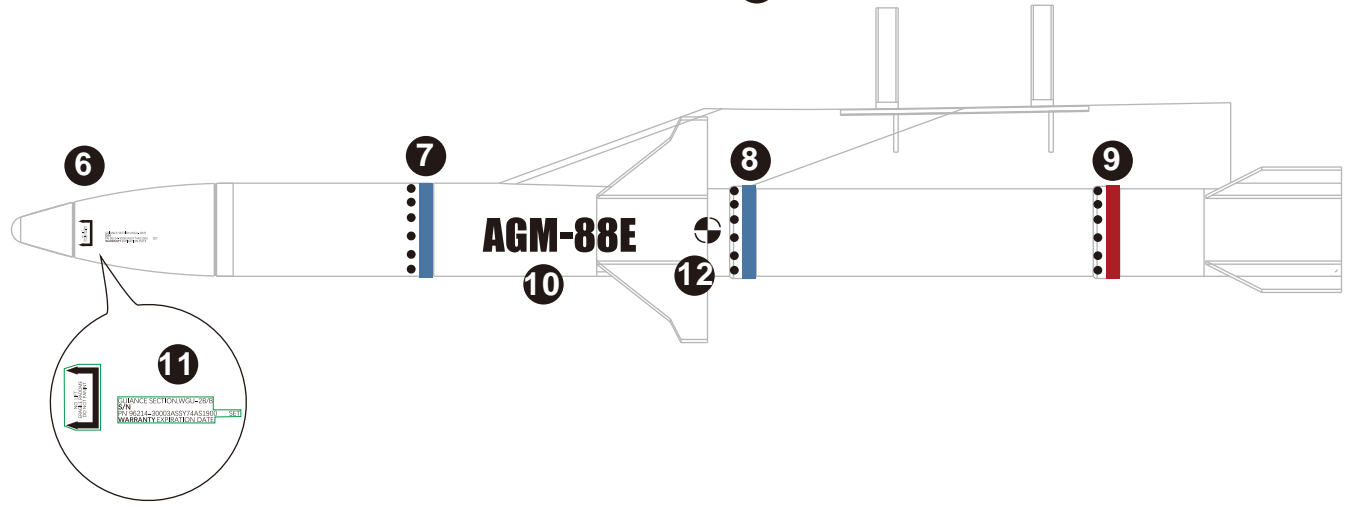
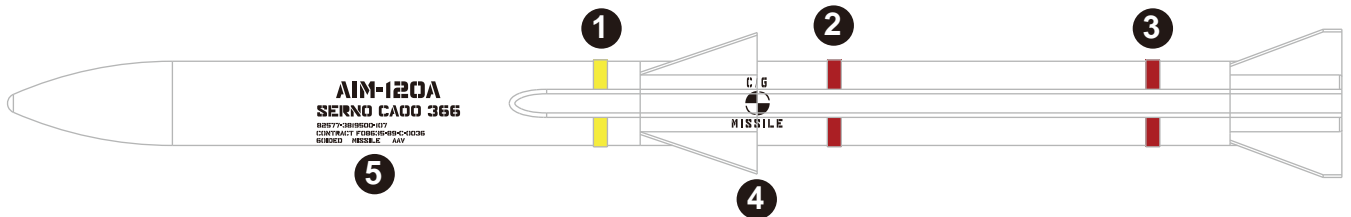
10



11



12





MADE IN CHINA