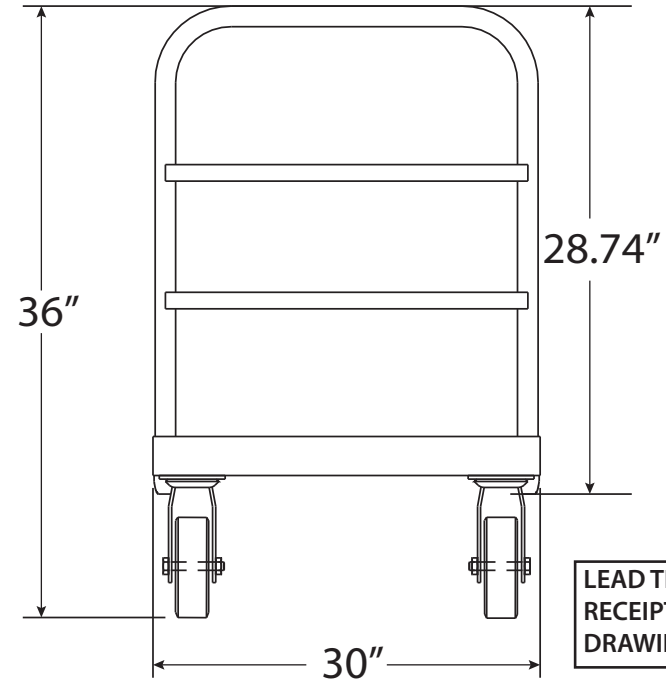
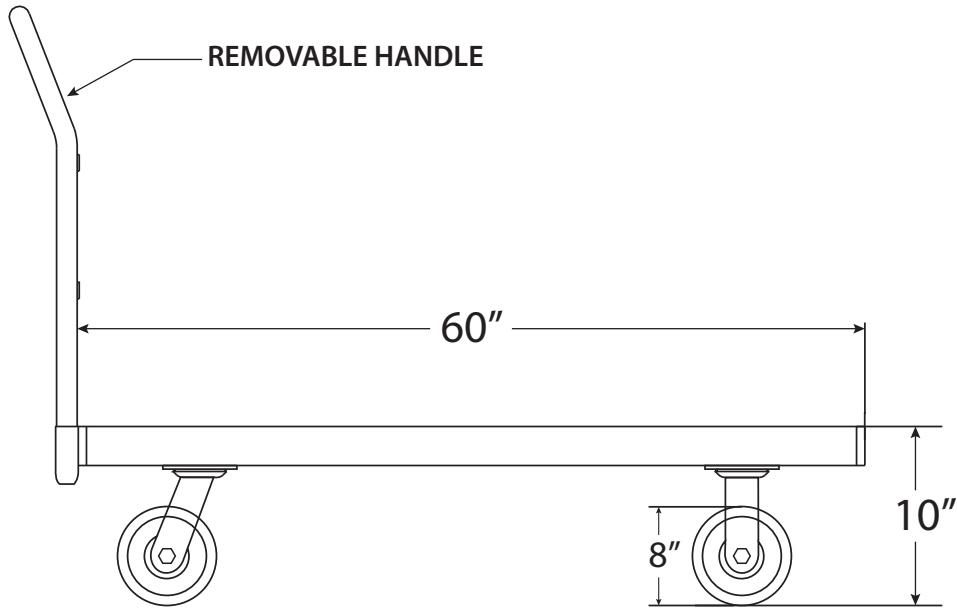


**\*\*SPECIAL UNITS ARE NON-RETURNABLE**  
**\*AVAILABLE AT ADDITIONAL COSTS**

# BOONE™ PLATFORM CART



LEAD TIME WILL START UPON  
 RECEIPT OF SIGNED APPROVAL  
 DRAWING

## STANDARD FEATURES

- MODEL NUMBER: 5Sec3060
- CAPACITY: 3,000 LBS
- USABLE PLATFORM: 30" X 60"
- PLATFORM HEIGHT: 10"
- CASTERS: L 8 X 2 MOLD-ON-RUBBER  
 TWO SWIVEL, TWO RIGID
- UNIT IS PAINTED GRAY

**\*CASTERS ARE REMOVABLE\***

## SPECIAL FEATURES NONE

**\*\*Any additions, deletions or omissions must  
 be corrected on this drawing, as this drawing  
 will be considered all inclusive.\*\***

\*\*\* ALL GRAPHICS PROVIDED ARE FOR REFERENCE ONLY. IF CERTAIN DIMENSIONS  
 ARE CRITICAL PLEASE VERIFY THOSE DIMENSIONS WITH YOUR SALESPERSON. \*\*\*

## APPROVAL

I, the undersigned, hereby approve this print  
 As drawn                       As marked  
 This includes my approval of design & dimensions.  
 Signed:.....  
 Date:.....

Distributor's Name:		<b>5Seconds™</b>	P.O.#: _
Drawn By: Sr	Date: 7-1-23		W.O.#: _
Reference:		SALES: _	
-		DRWG. / FILE NAME:	
		16-007-295	
		Scale: 1:12	