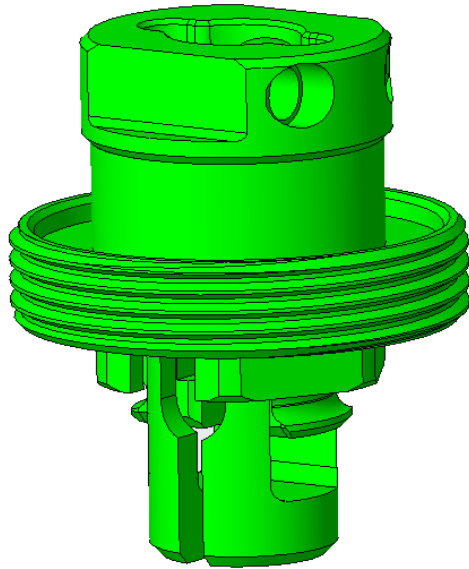
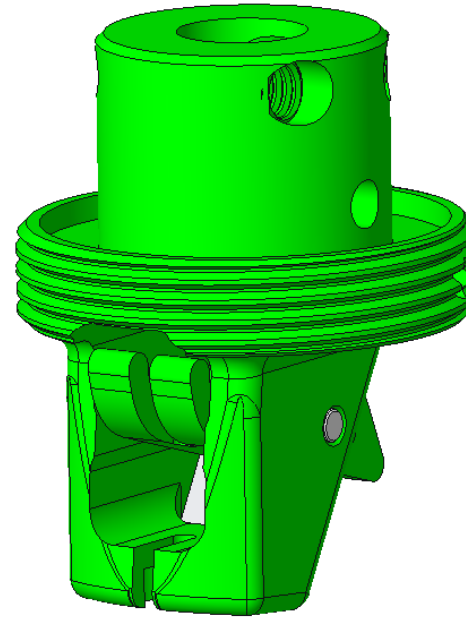
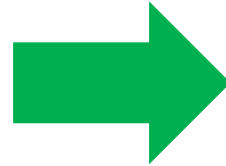


Swap from V2 to V2.1 Actuator for Santa Cruz Low Slung Shock Bikes



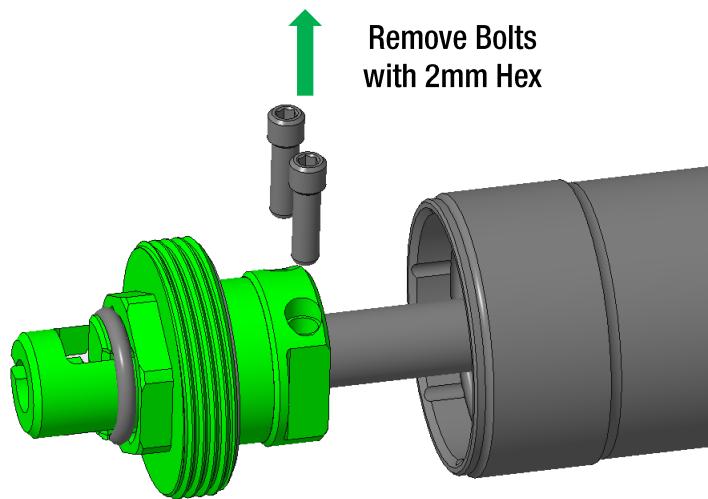
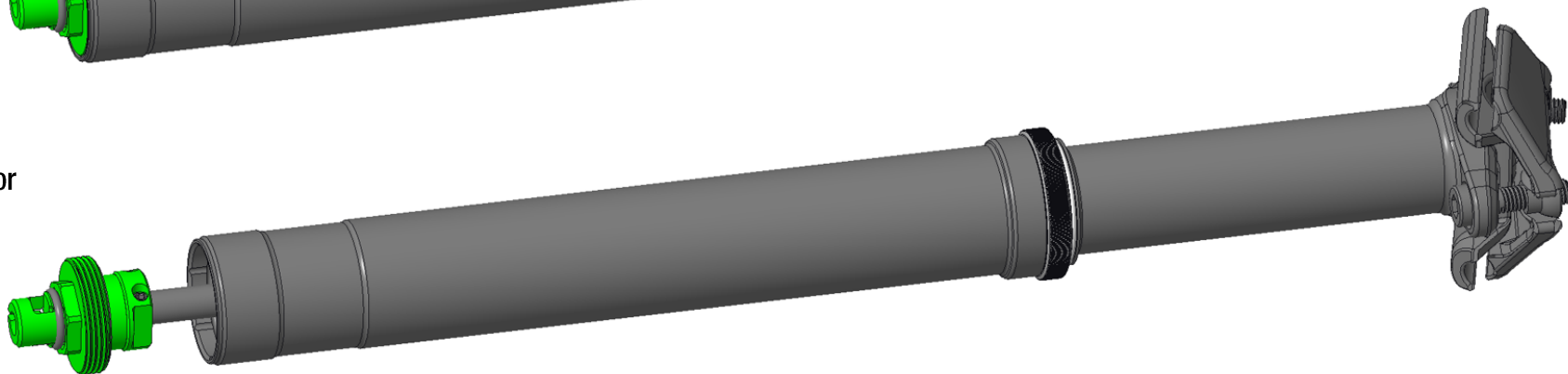
V2 Actuator



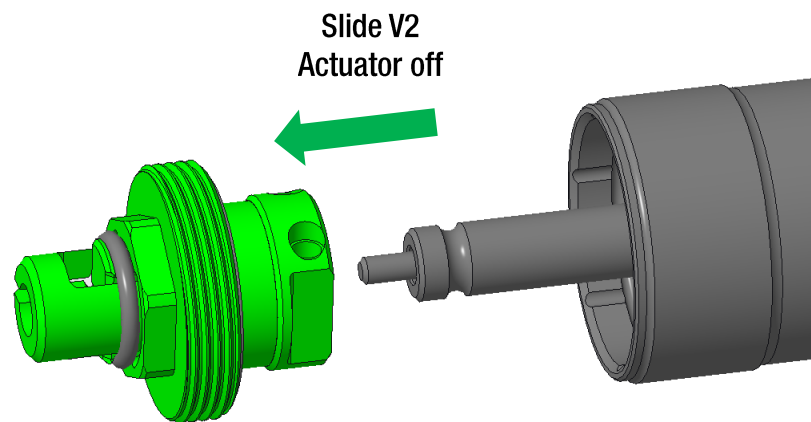
V2.1 Actuator



Unthread actuator
with a 17mm
wrench

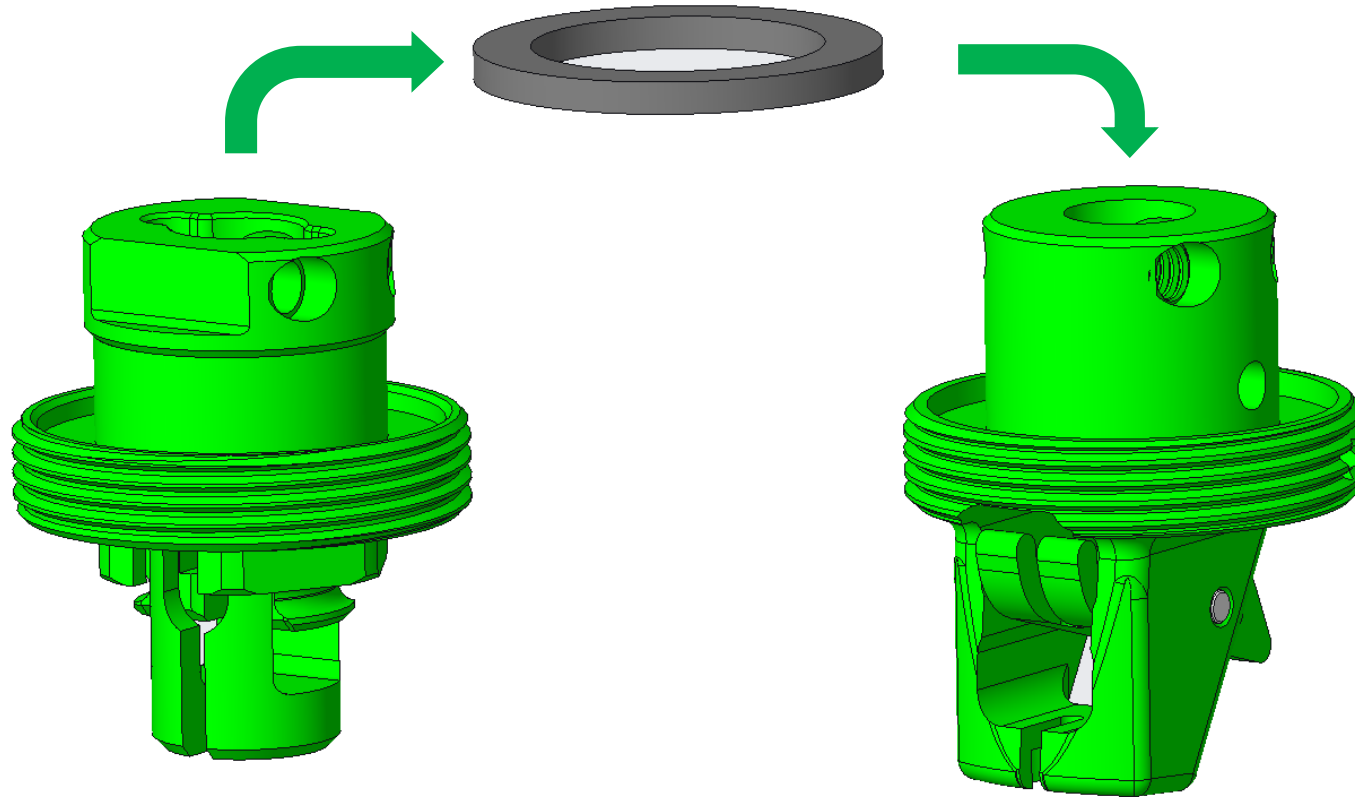


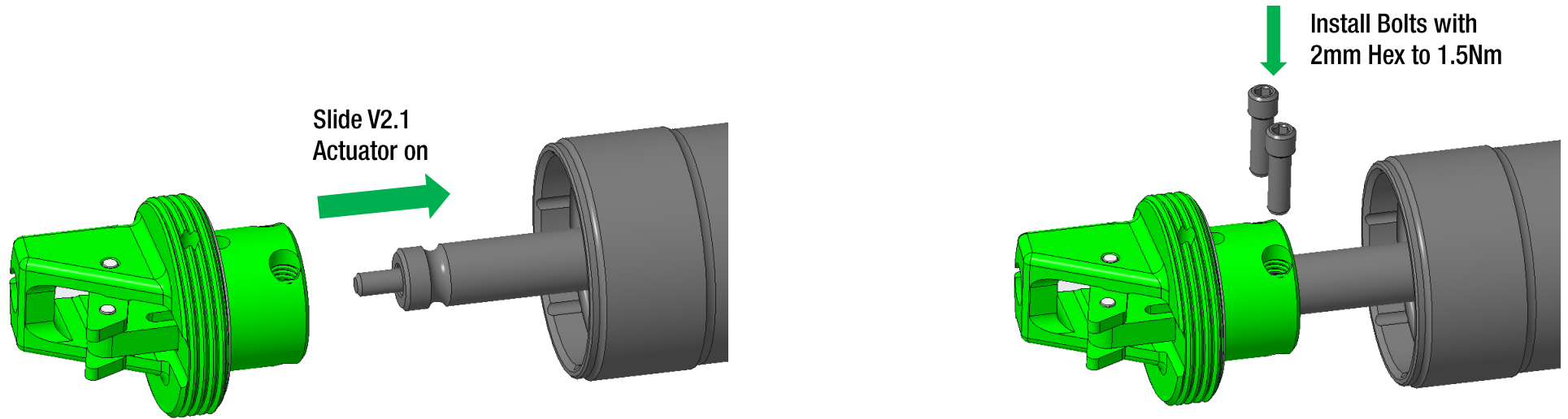
Remove Bolts
with 2mm Hex



Slide V2
Actuator off

Move bumper from
V2 actuator onto
V2.1 actuator





Thread actuator on with a 15mm wrench to 5Nm

