

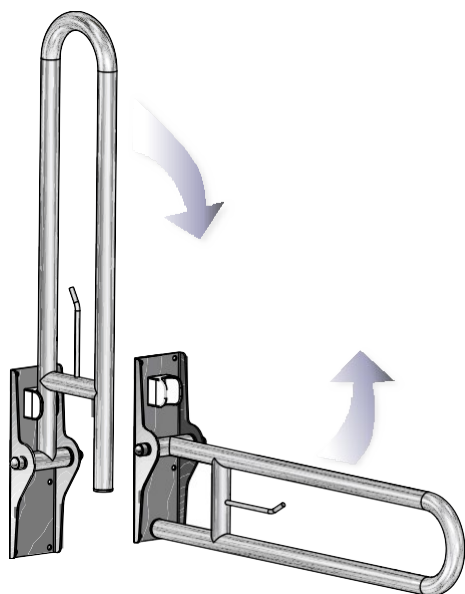
Fold- Up Support Rails

Installation Instructions and User Care Instructions

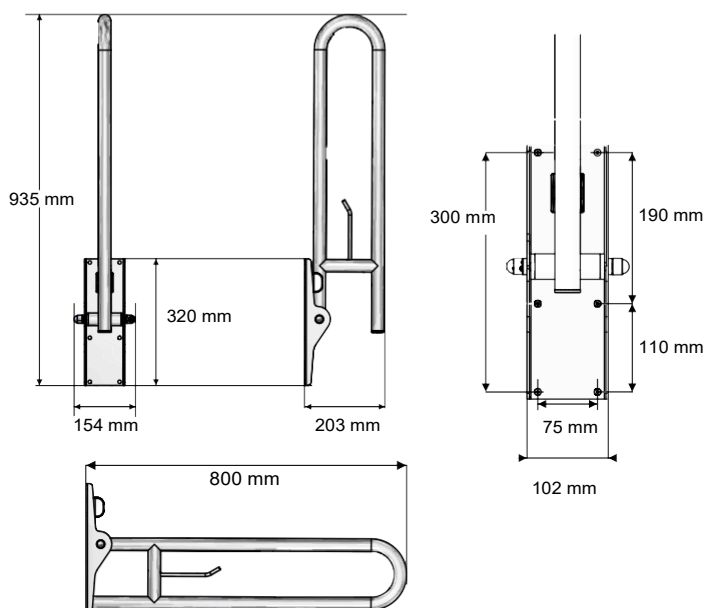


Read ALL instructions carefully BEFORE installation and leave with the end use

Fold up rails are recommended for internal applications. Rails may be installed in other locations but optimum product life may not be achieved. We recommend that you follow these guidelines when installing rails. Use suitable fixings for the intended wall type. All fixing holes in all mounting brackets must be used. Use fixings adequate for load. Wall surface and supporting structure must be adequate to support load, test suitability of the wall type and fixings before installation. Solid brick, concrete block or timber reinforcement is essential to meet the stated weight loading.



Product Specification



This product is designed for a single location installation. The use of stainless steel screws is highly recommended to prevent corrosion in damp environment.
Maximum weight capacities* :
Fold Up Rails/- 100kg / 220lb / 15.75st.

Applied for less than 30 minutes in any 60 minute period.

* Weight capacity refers to the support rail only, not the fixings or retention in the mounting surface. Fixings and retention in the mounting surface are the responsibility of the installer to ensure that the installation is suitable for the user.

Standard operating

Temperature range: -5°C to +35°C.

Materials of Construction:

Rail: Stainless Steel
 Mounting Bracket: Stainless Steel PP



IMPORTANT SAFETY NOTICE



The weight capacity of the fold up rails are rated to 100kg / 220lb when installed and fully maintained according to these instructions.



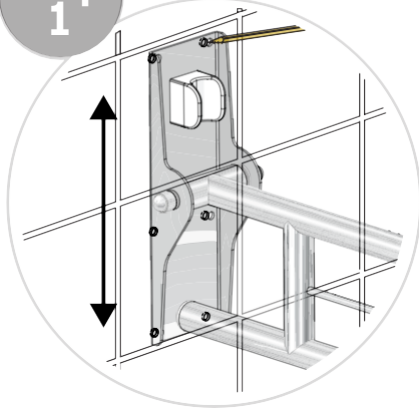
This product conforms to the essential requirements of the Medical Devices Directive 93/42/EEC and representative samples have been evaluated under EN12182:1999 and EN12727:2000 For use solely as a Fold-Up Support Rail (assistive, Class 1 device). Declaration issued under the sole responsibility of the manufacturer.

Failure to install this product in accordance with supplied instructions or the making of unauthorised modifications will invalidate any warranty and will affect product safety.

Installation Instructions

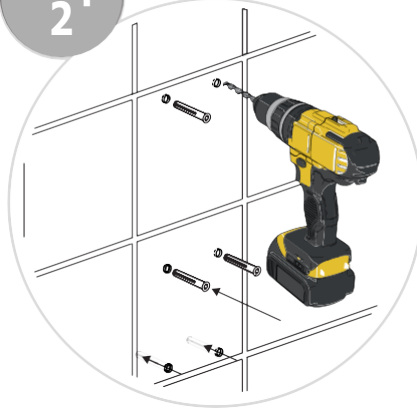


Step 1



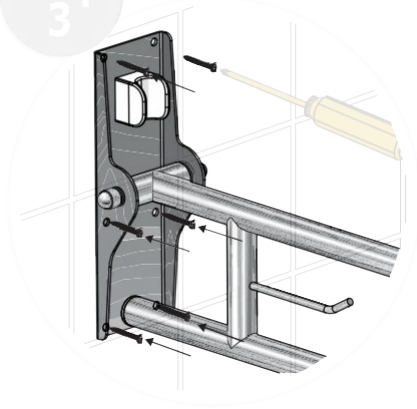
(1) Assemble the rail into position. Ensure that the rail is located at the correct height. Mark the position of the mounting bracket on the wall with a pencil.

Step 2

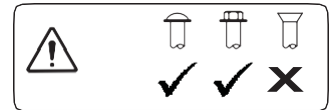


(2) Drill the holes with a suitable wall / tile drill piece. Use masking tape to mark the wall and drill through, protecting the tile from splintering.

Step 3



(3) Use suitable wall fixings to secure the mounting bracket to the wall. Do not over-tighten fixings and do not use countersunk screws.



User Care Instructions

This metal support rails assist the users mobility and are designed for general domestic use. They are intended to be used to provide gripping or handle position around toilets, showers, baths and other similar applications. The Fold-Up support rail must only be used for the tasks it is intended to perform. Do not use it to tie objects, hang items from it or secure items to it. This may have serious detrimental effects on its performance and safety. Fold-Up support rails should be checked and cleaned as part of a planned maintenance programme, and any rails showing evidence of damage or misuse must be replaced.

Keeping your Fold-Up Support Rail clean

This product should be cleaned periodically using normal domestic bathroom cleaning materials. After cleaning always rinse with water then wipe thoroughly with a damp cloth to remove any cleaning material residues before drying off. Do not use strong or concentrated acidic, alkaline or other cleaning materials as these may discolour or damage the product.

Disinfecting

Where disinfecting is necessary, standard procedures for disinfecting equipment should be used taking due care and attention to the warnings concerning possible effects of aggressive chemicals on surfaces.

Packaging

The Fold-Up support rails are supplied in a polypropylene (PP) bag to keep the product unsoiled until installation. All materials are suitable for recycling operations and should be disposed of in accordance with local recycling regulations.

Important Safety Information

ALWAYS attach this rail to a surface using fixings suitable for the rail, the type of surface and the loading conditions to be applied.

ALWAYS match the fixing to the holes in the grab rail. ALWAYS use all the fixing holes on the bracket.

Do not use countersunk head fixings or add countersinks to any fixing holes on the grab rail.

NEVER make fixing holes larger as this will reduce the strength of the rail and invalidate any warranty or stated weight capacity.

The following materials are used in this product: Stainless Steel.

NEVER misuse the rail, it is an aid to manual movement only.



These instructions are provided to advise the minimum standards of installation and recommend what the best practice for the installation is. Due to the very wide variability of possible installation conditions, We cannot provide all circumstances for the installation. We cannot accept any liability in connection with this information or its use. This information is provided on the condition that the person receiving it shall make his or her own tests to determine the suitability for their particular purpose. Failure to install this product in accordance with supplied instructions or the making of unauthorised modifications will invalidate any warranty and may affect product safety. None of the foregoing affects your statutory rights.