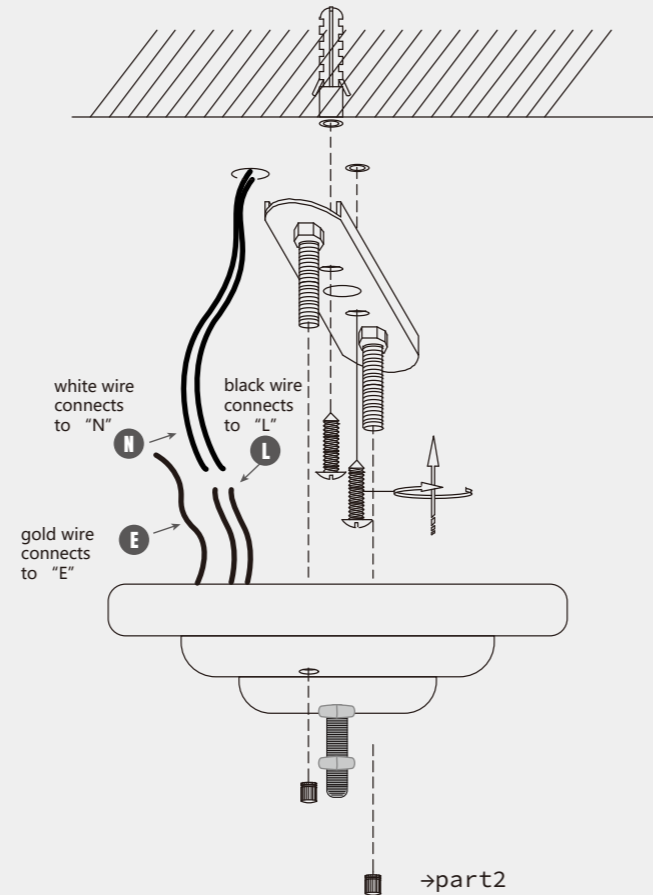


Semi Flush Mount Ceiling  
Lights Umbrella Shape Glass Lamp

CL0068

1

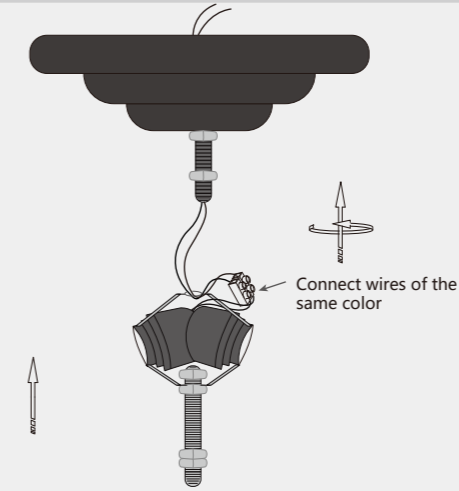


### THE LAMP INSTRUCTION

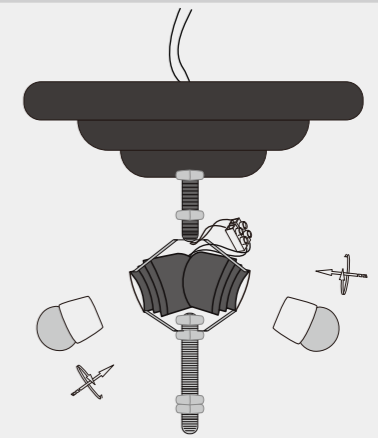


| Maintenance   | Precautions   |
|---|---|
| 1.Voltage:110-240V                                    | Keep the lighting away from acidic chemical solvents to avoid damage.                     |
| 2.Please wear gloves when install.                    |   |
| 3.Don't install it on the moist ceiling.              | <b>Tip</b><br>Please follow the instructions then install the parts in the correct order. |
| 4.Turn off the power before cleaning out.             |   |
| 5.Please wash with the sanitizer without corrosivity. |   |

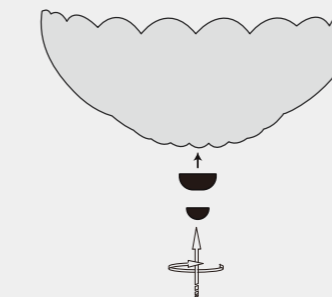
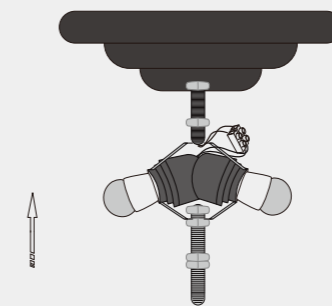
2



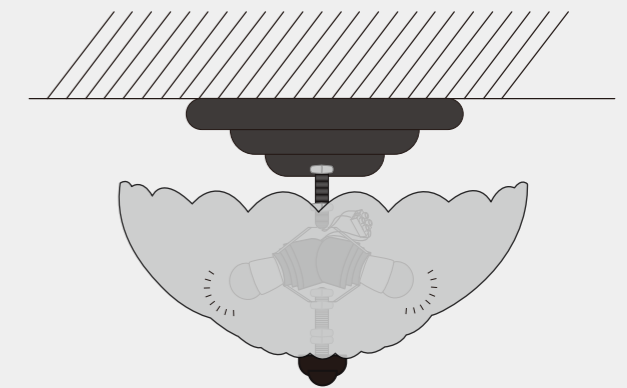
1.Connect the wires of the LED bulb to the wires of the ceiling.



2.Tighten the bulb.



3.Fix the lampshade with the locking plate.



4.Installation completed  
Turn on the power.