

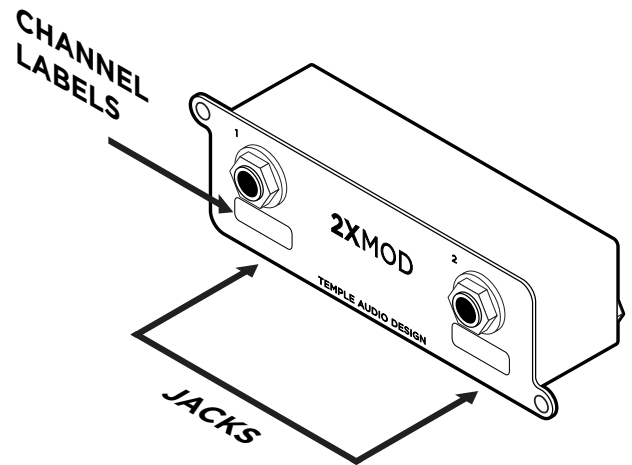
The 2X MOD mounts in the Modular Endpanel of your Templeboard and allows you to route 1/4" inputs and outputs through the side of your board.

CHANNEL LABELS

Label each channel with a marker. Wipe off with rubbing alcohol.

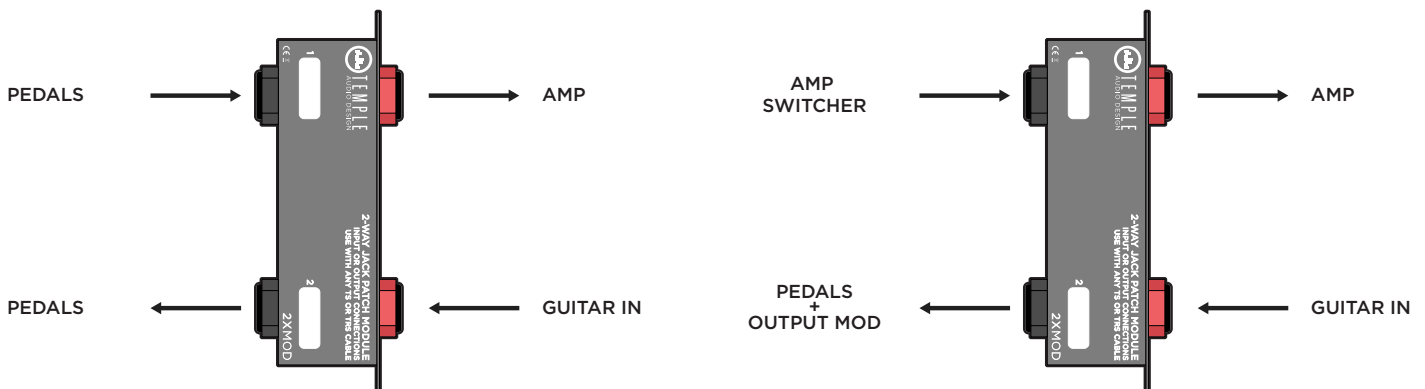
INPUT/OUTPUT JACKS

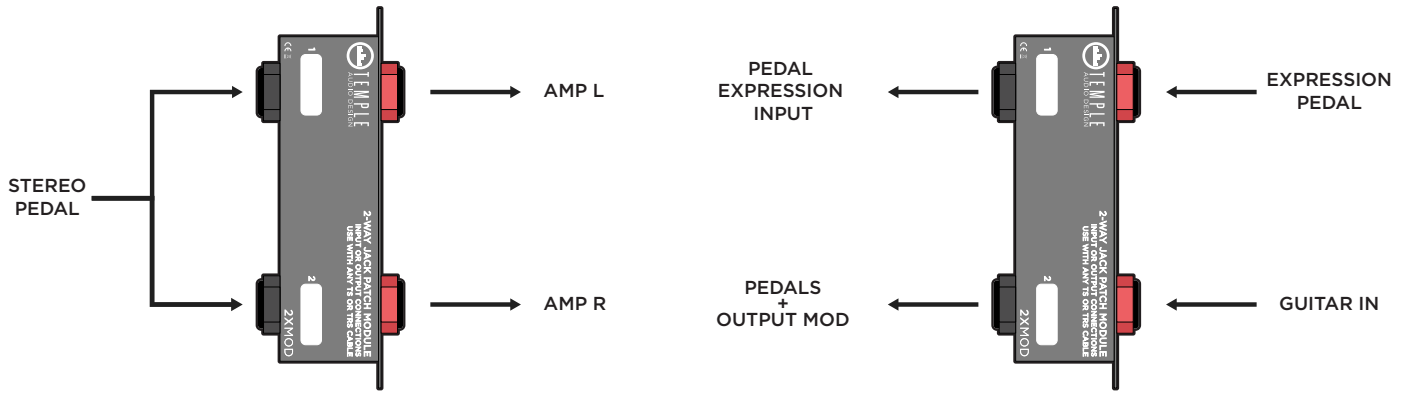
Both jacks on the 2X MOD can be used as inputs or outputs to feed your signal from one side of your Templeboard to the other. Whatever 1/4" signal you send into one jack will carry on to the corresponding jack on the other side. Both channels are completely isolated from each other. Use with mono, TRS, balanced inputs/outputs, FX loops, amp switchers, or anything else that uses a 1/4" patch cable.



CONFIGURATION OPTIONS

You can use the 2X MOD for several different setup configurations. Here are a few examples:



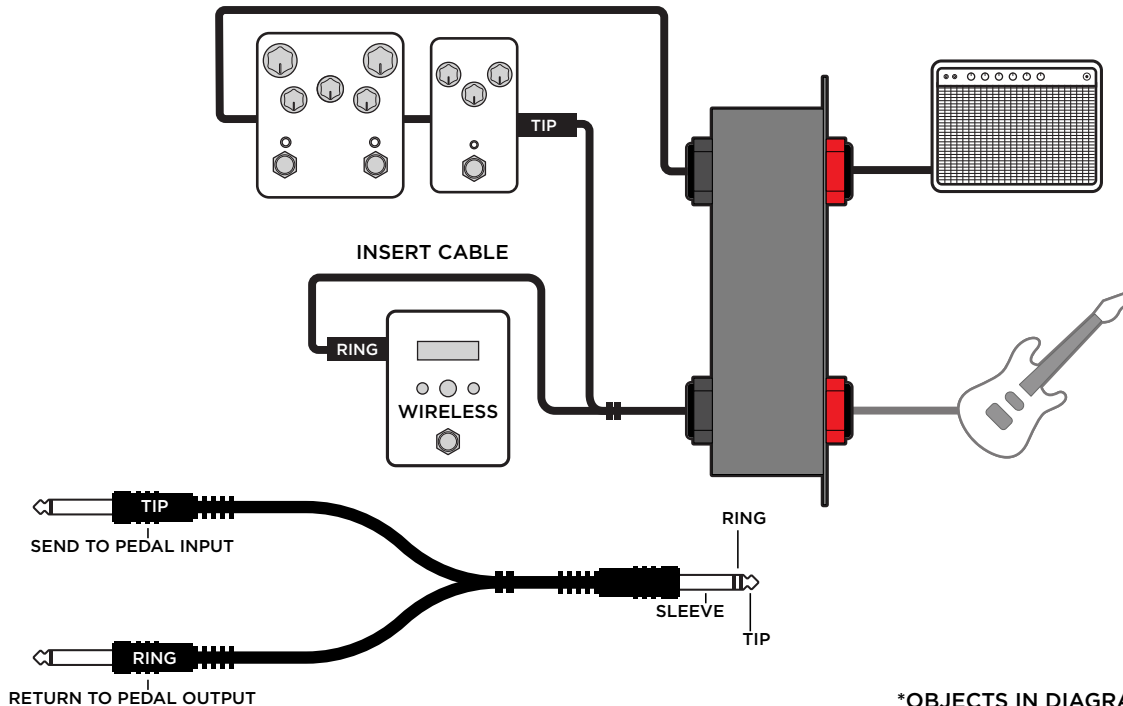


WIRELESS BYPASS SETUP

The 2X MOD has an internal normalizing switch on both of the red outside jack channels. This will either mute an inactive signal when used with a mono TS cable or create a loop-back FX loop when used with a stereo TRS cable.

The loop-back functionality in the 2X MOD can be set up to manually override your wireless unit (in case of dead batteries or malfunction). Plugging an instrument cable directly into the module will completely bypass your wireless unit.

You will need an insert/Y cable:



*OBJECTS IN DIAGRAM ARE NOT TO SCALE

1. Plug the TRS end of the insert cable into the black inside jack.
2. Connect the ring side of the insert cable to the output of your wireless pedal.
3. Connect the tip side of the insert cable to the first pedal in your signal chain.

Your signal chain will flow from wireless to pedals when nothing is plugged into the red outside jack. When an instrument is plugged into the red outside jack, the wireless unit will be bypassed and your signal will carry on to the first pedal in your chain.